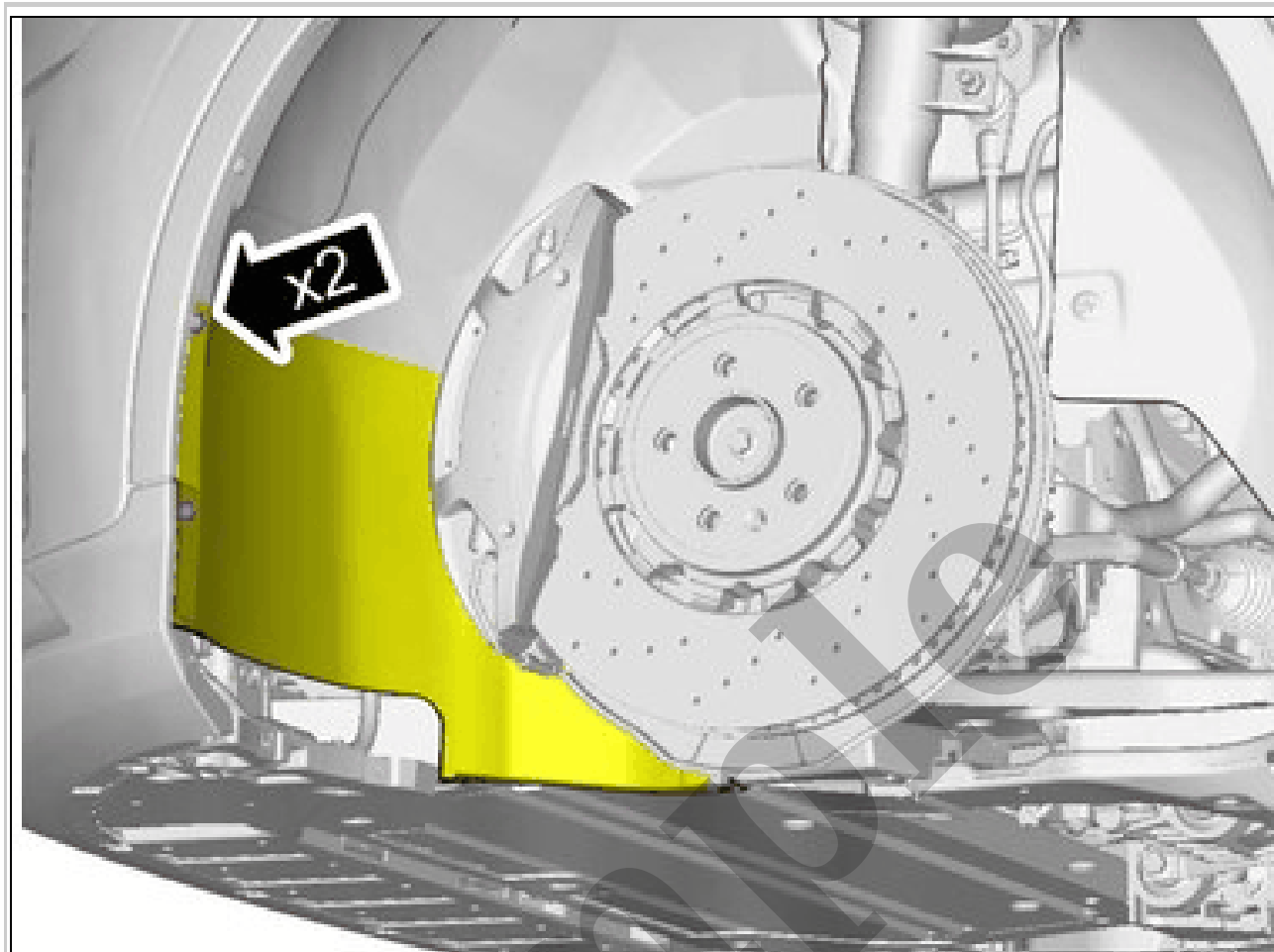


Your Ultimate Source for OEM Repair Manuals

FactoryManuals.net is a great resource for anyone who wants to save money on repairs by doing their own work. The manuals provide detailed instructions and diagrams that make it easy to understand how to fix a vehicle.

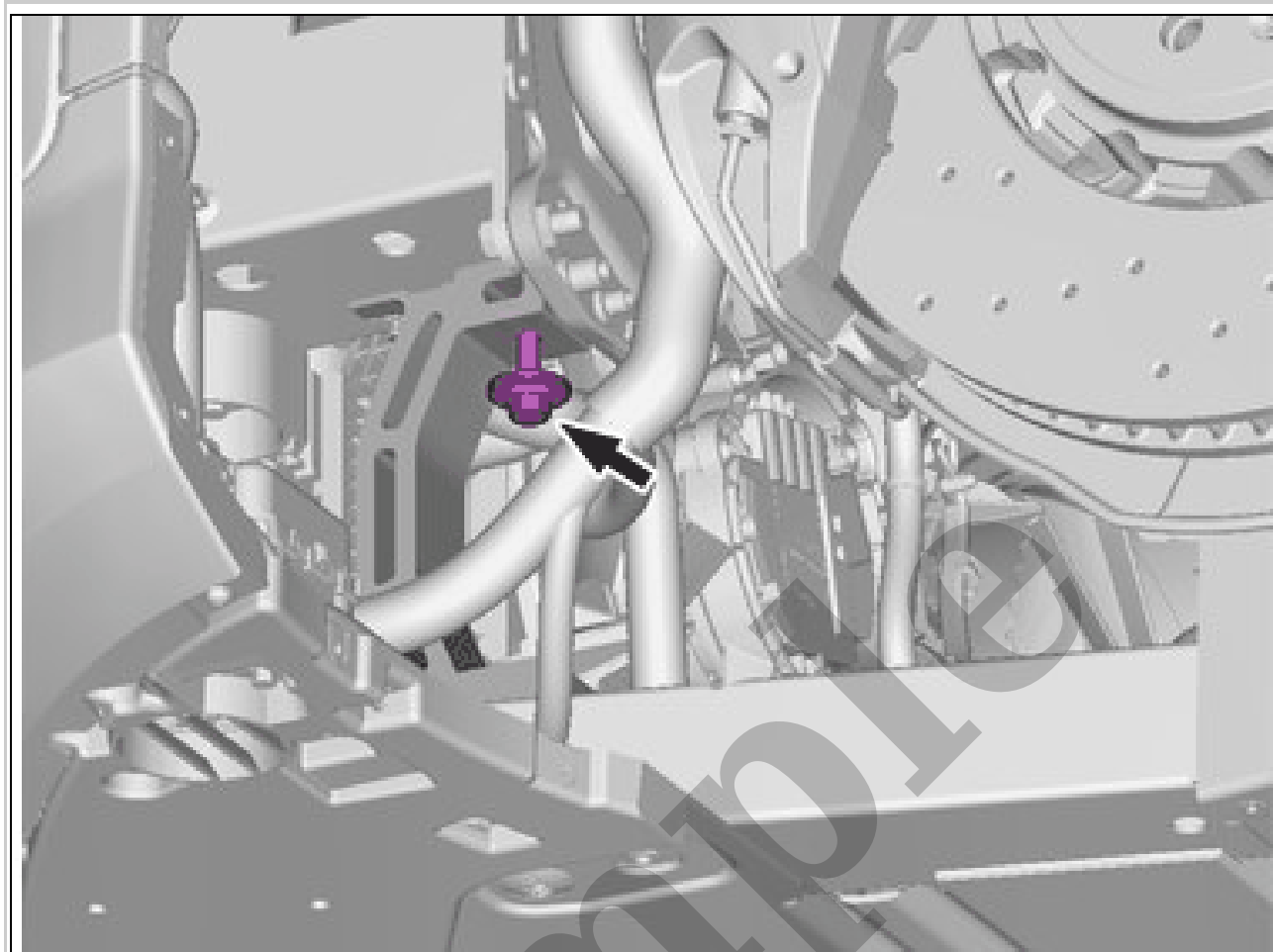
2024 Volvo XC90 Manual - Service & Repair Guide

[Go to manual page](#)



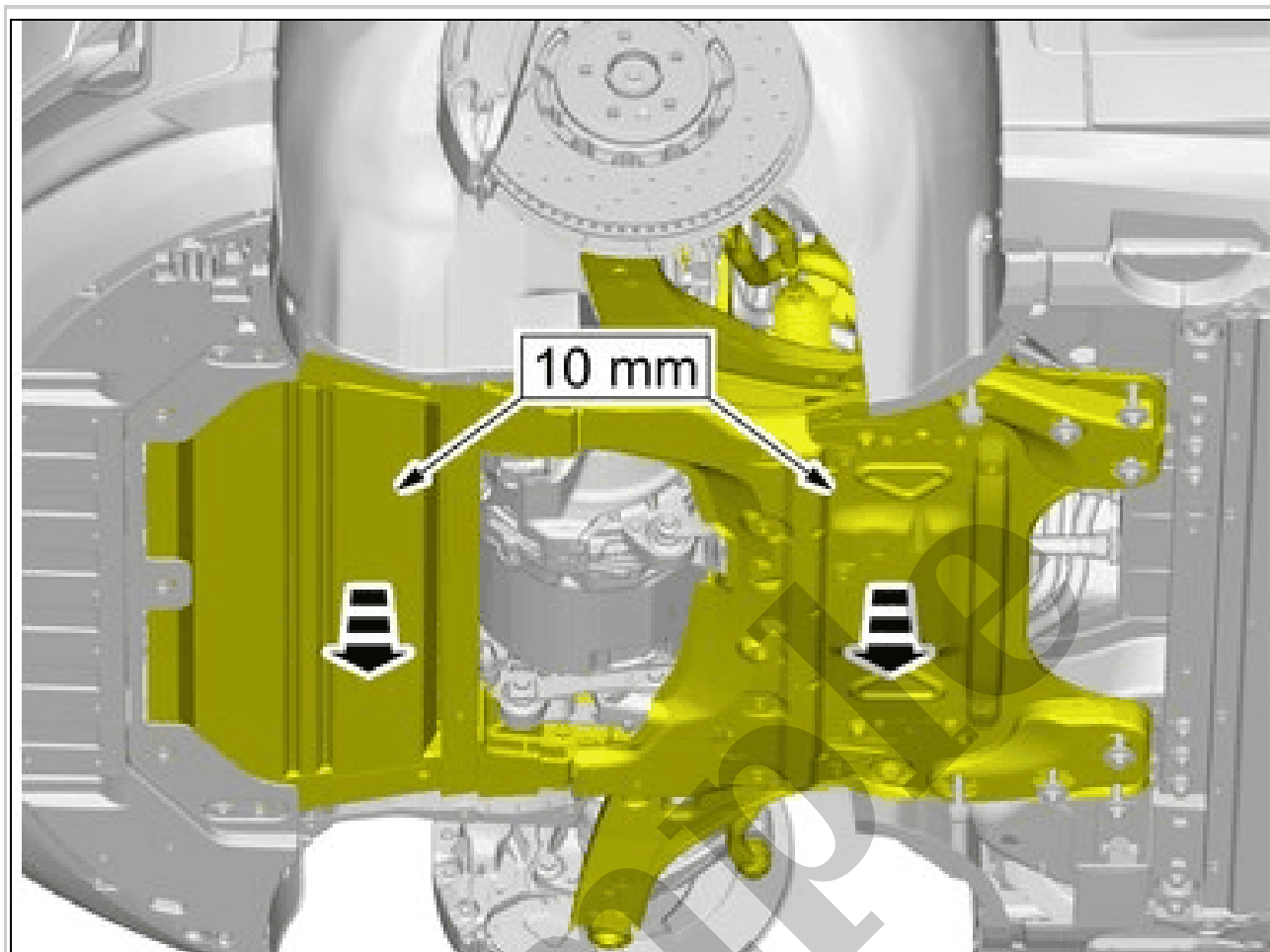
Courtesy of VOLVO CARS CORPORATION

Remove the screws.
Fold marked part aside.



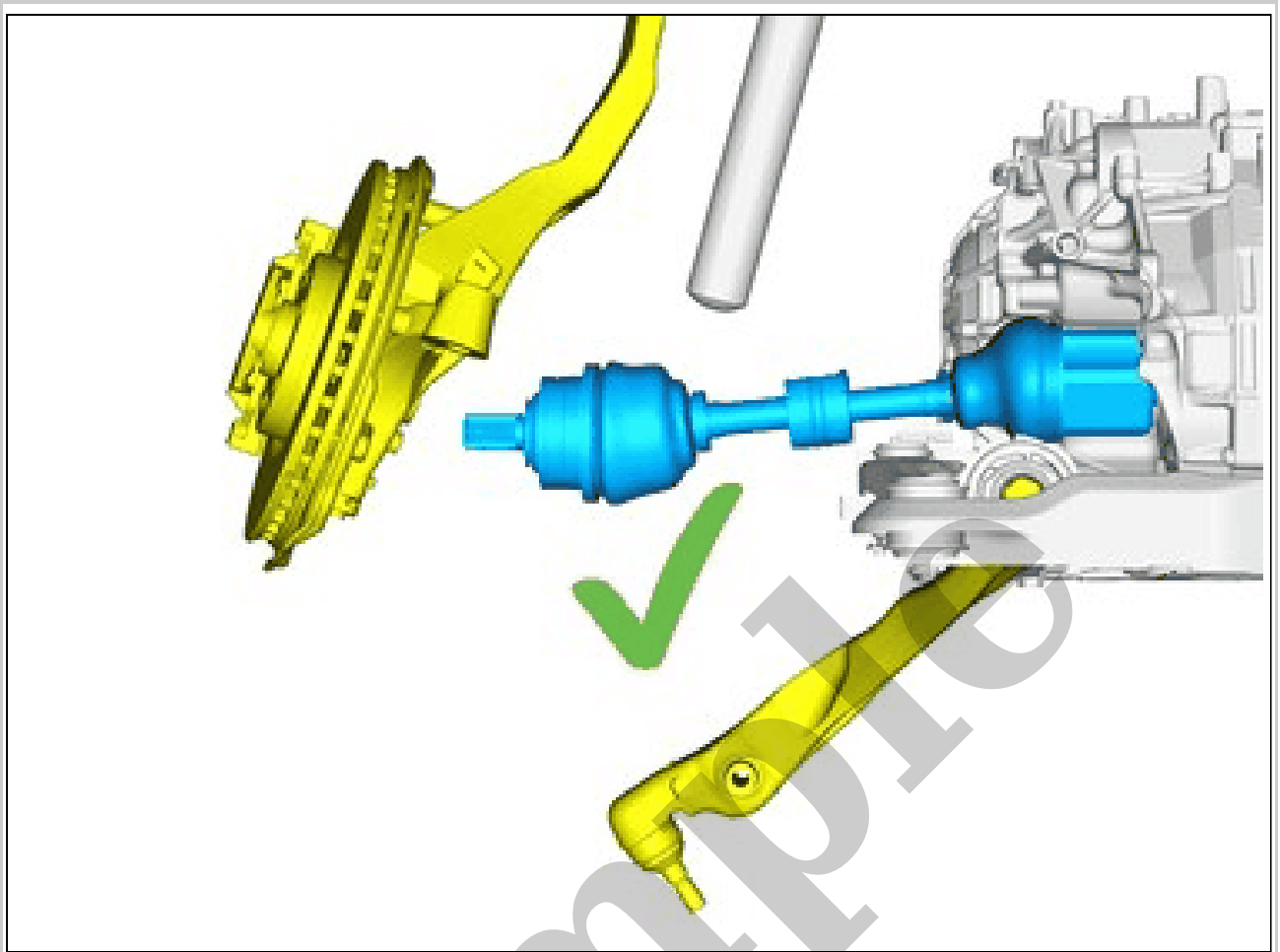
Courtesy of VOLVO CARS CORPORATION

Loosen the component indicated. Do not remove it.



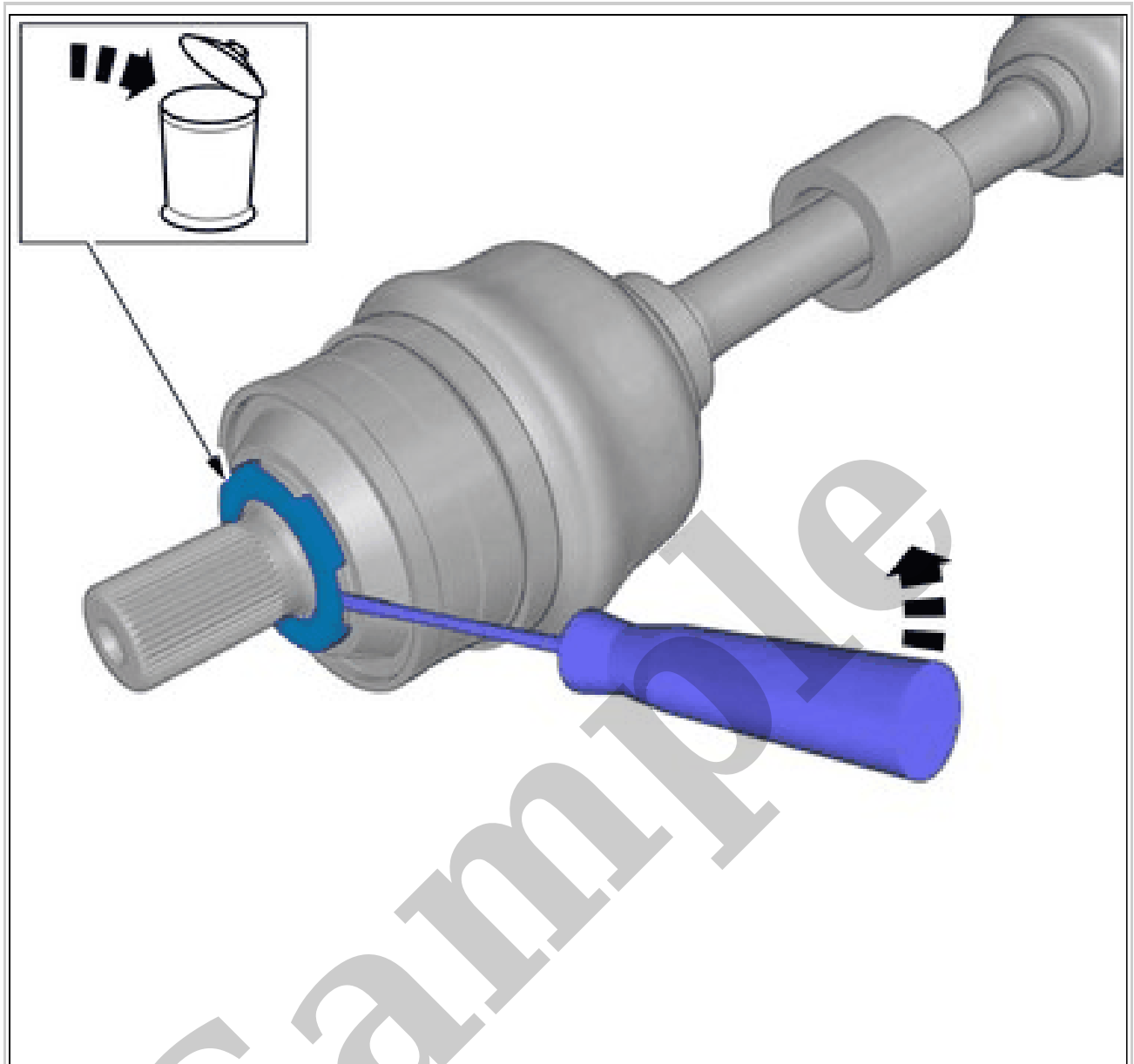
Courtesy of VOLVO CARS CORPORATION

Lower the component somewhat.
APPLIES TO THE LEFT-HAND SIDE:



Courtesy of VOLVO CARS CORPORATION

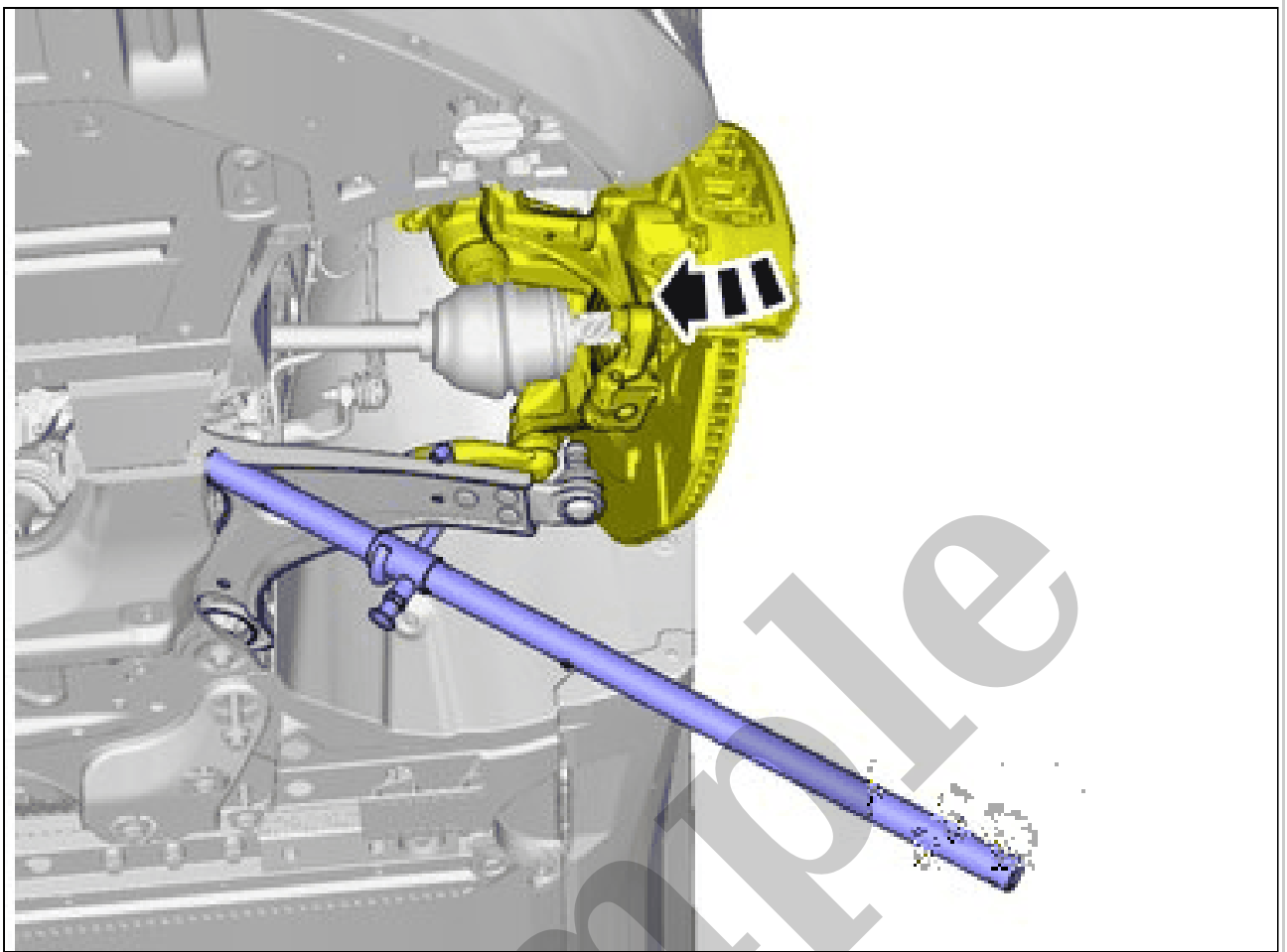
CAUTION: *Ensure that the component is supported while not connected to the wheel hub to avoid risk for damage on the inner joint.*



Courtesy of VOLVO CARS CORPORATION

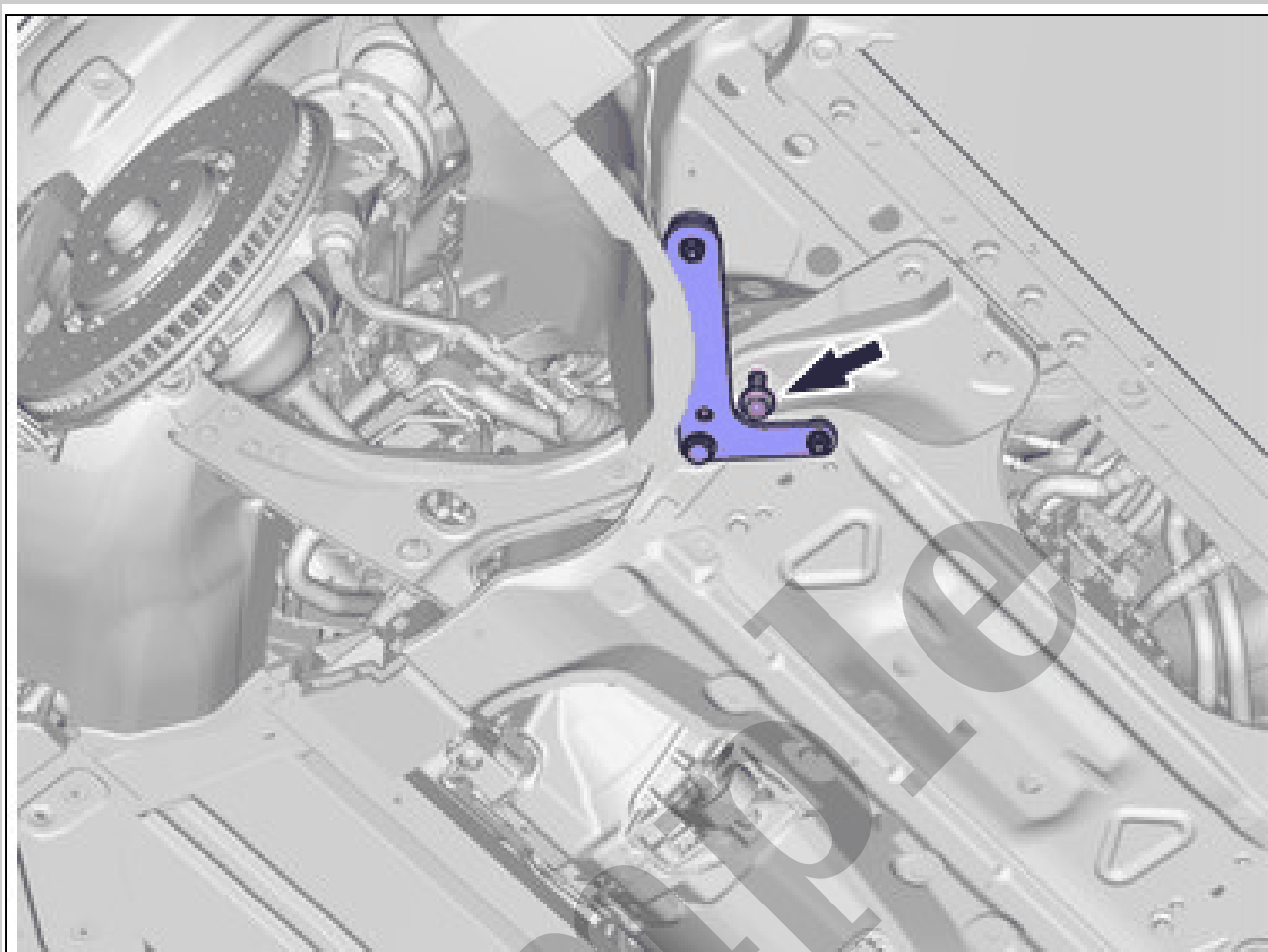
NOTE: *Make sure that a new component is installed.*

Remove the marked part.



Courtesy of VOLVO CARS CORPORATION

Install the marked components.



Courtesy of VOLVO CARS CORPORATION

NOTE: Make sure that a new component is installed.

Torque: Subframe to chassis (middle screws)

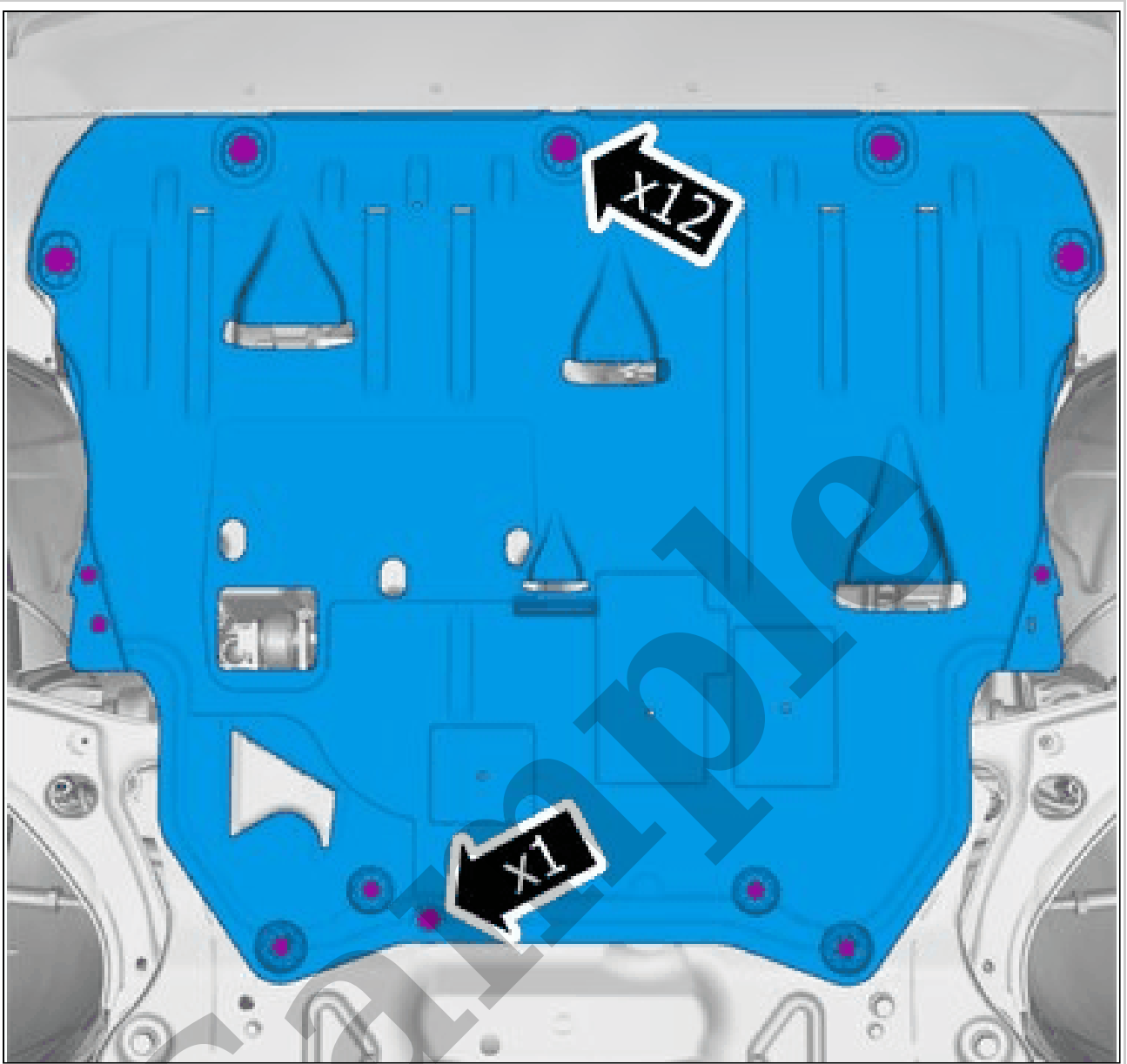
- Stage 1: 140Nm
- Stage 2: 90°

Remove the Special Tool.

To install, reverse the removal procedure.

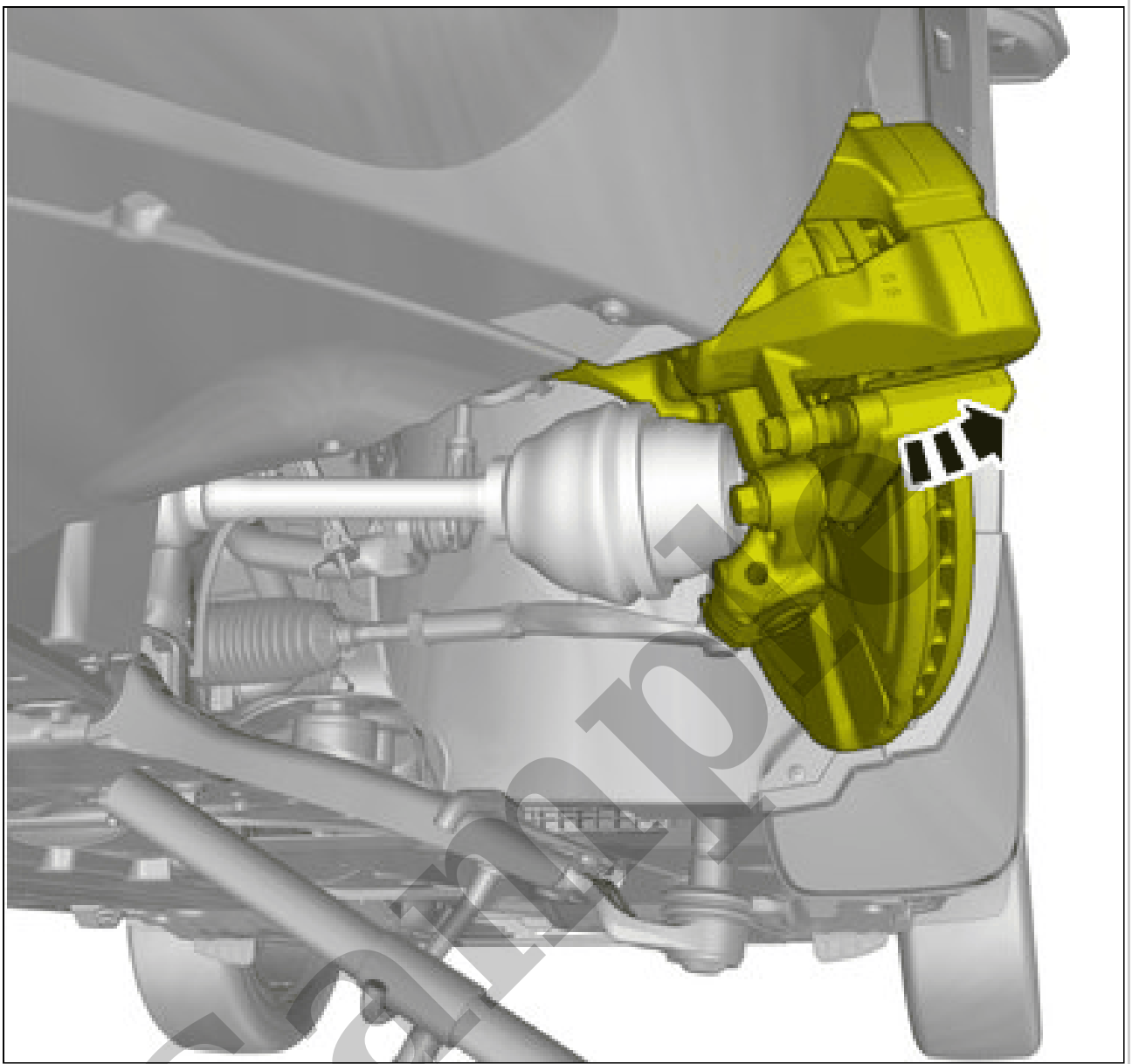
DRIVESHAFT LEFT > DRIVESHAFT LEFT [2019-2022, B4204T18, TG-81SC AWD | 2019-2022, B4204T47, TG-81SC | 2019-2022, B4204T47, TG-81SC AWD] > REMOVAL

NOTE: Removal steps in this procedure may contain installation details.



Courtesy of VOLVO CARS CORPORATION

Remove the screws.
Remove the clip.



Courtesy of VOLVO CARS CORPORATION

Lift the marked component up