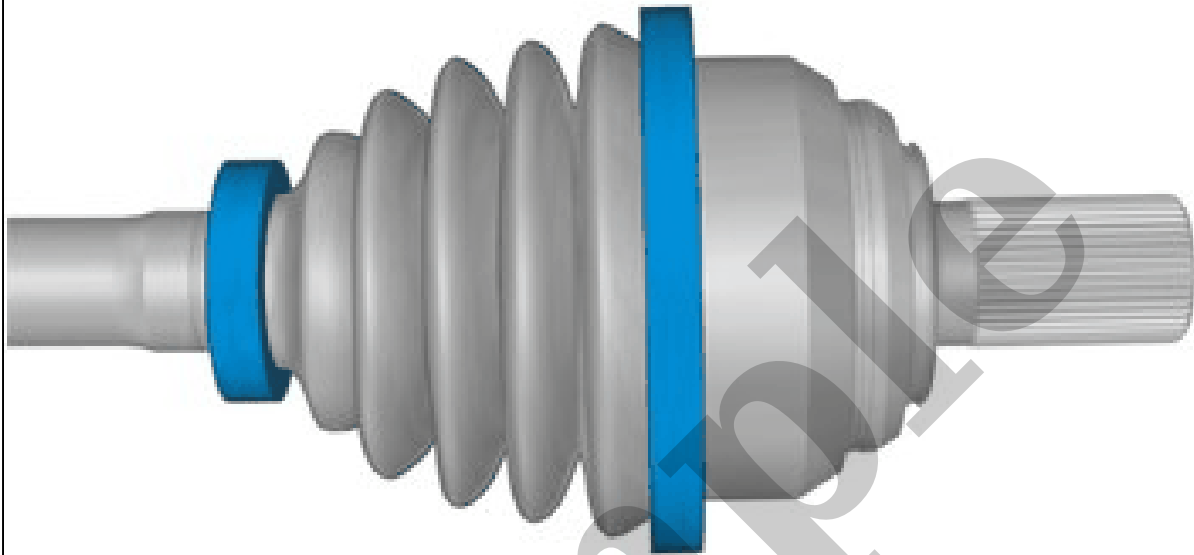


# Your Ultimate Source for OEM Repair Manuals

FactoryManuals.net is a great resource for anyone who wants to save money on repairs by doing their own work. The manuals provide detailed instructions and diagrams that make it easy to understand how to fix a vehicle.

## Volvo XC60 2024 Manual - Workshop Service and Repair Guide

[Go to manual page](#)



Courtesy of VOLVO CARS CORPORATION

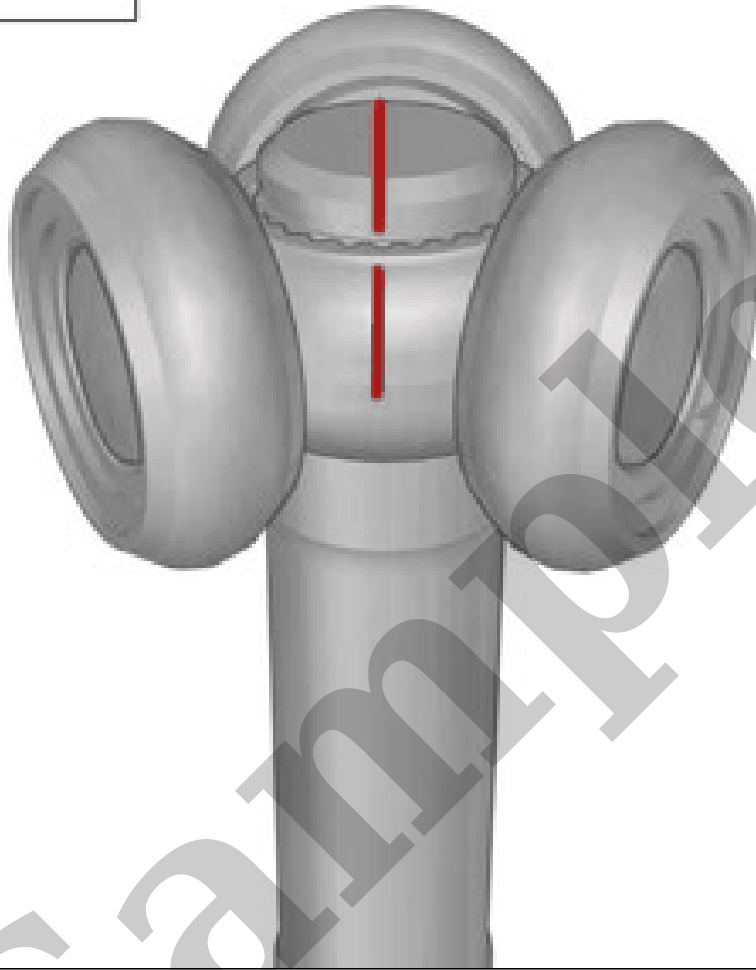
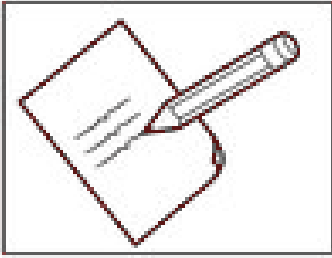
**CAUTION:** *Make sure that there is no grease between the boot and its mating faces.*

Special Tool: 981 4201 Lock grip pliers

1. **Torque:** CV-joint boot clamp, large, 24Nm
2. **Torque:** CV-joint boot clamp, small, 17Nm

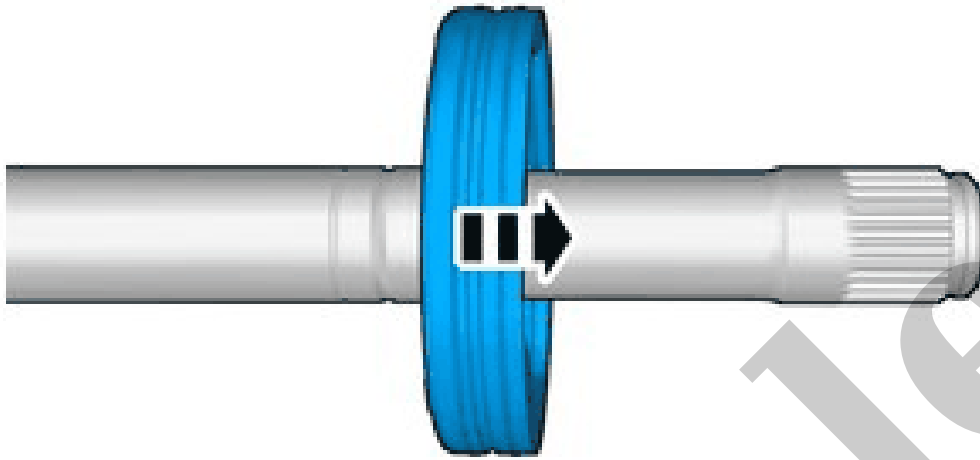
**Install the following items:**

- Drive shaft right. Refer to: DRIVE SHAFT RIGHT
- Driveshaft left. Refer to: DRIVESHAFT LEFT



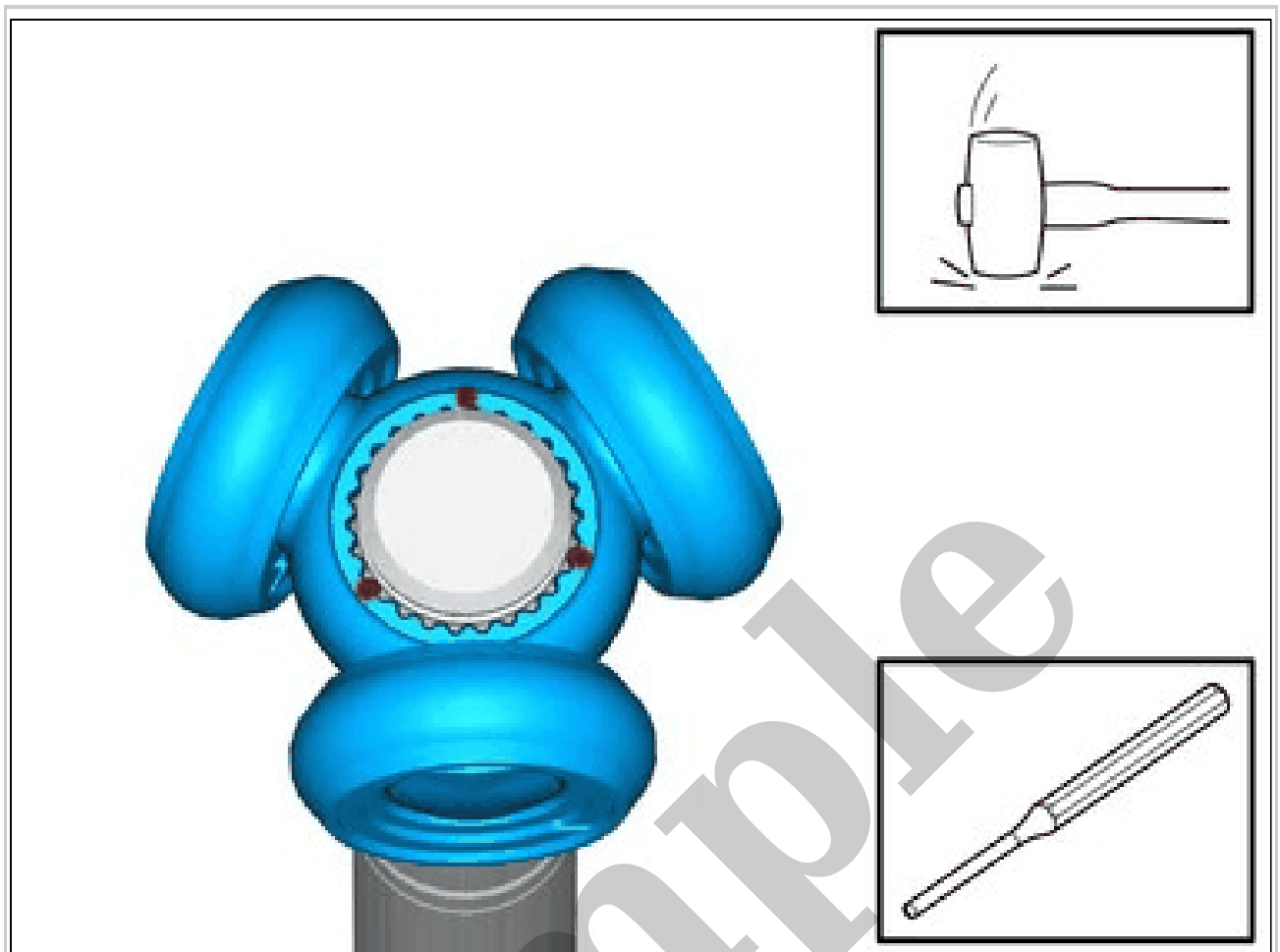
Courtesy of VOLVO CARS CORPORATION

**NOTE:** *Note the position of the component before removal.*



Courtesy of VOLVO CARS CORPORATION

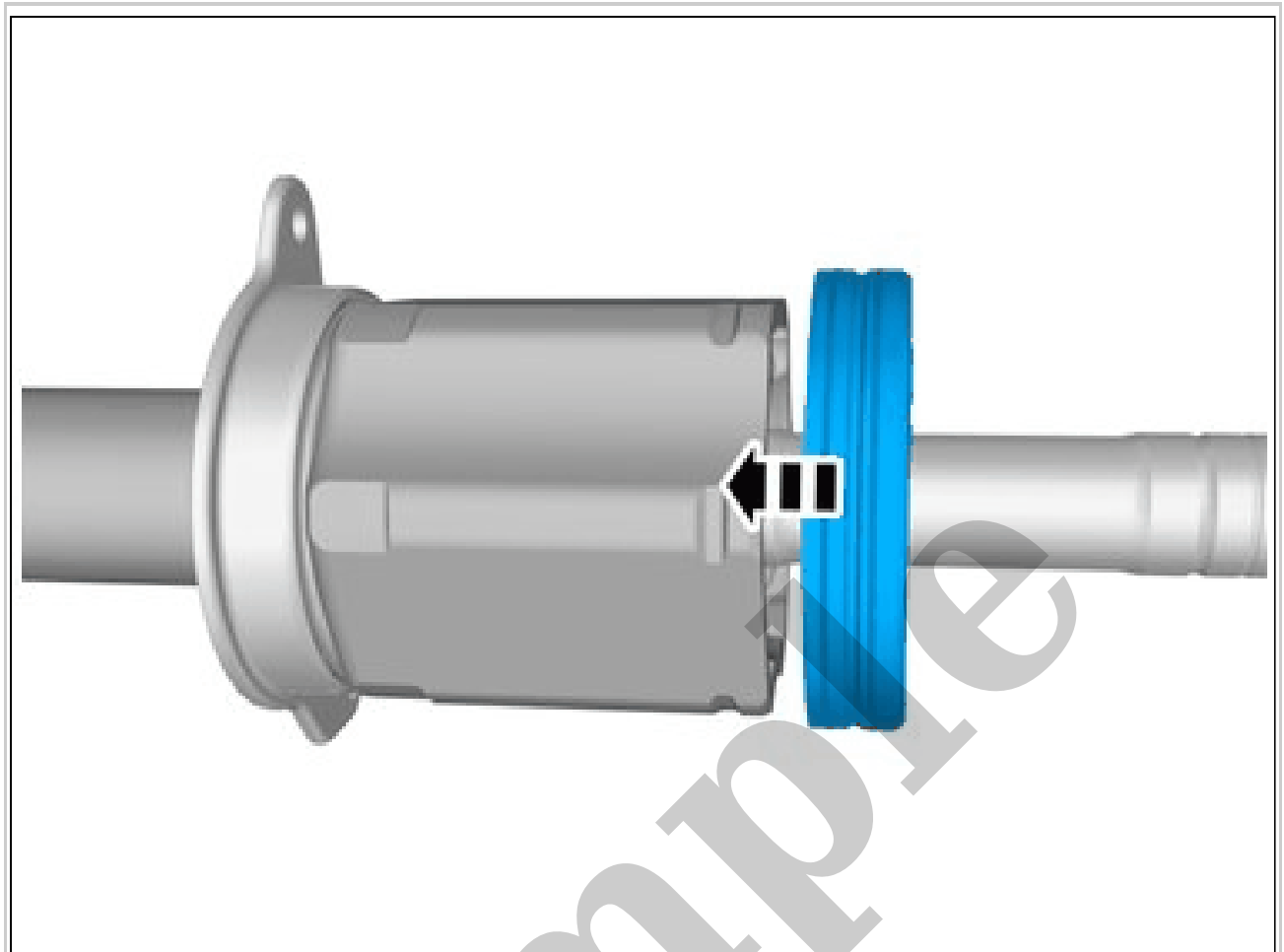
Remove the marked part.



Courtesy of VOLVO CARS CORPORATION

**Use:** Copper mallet

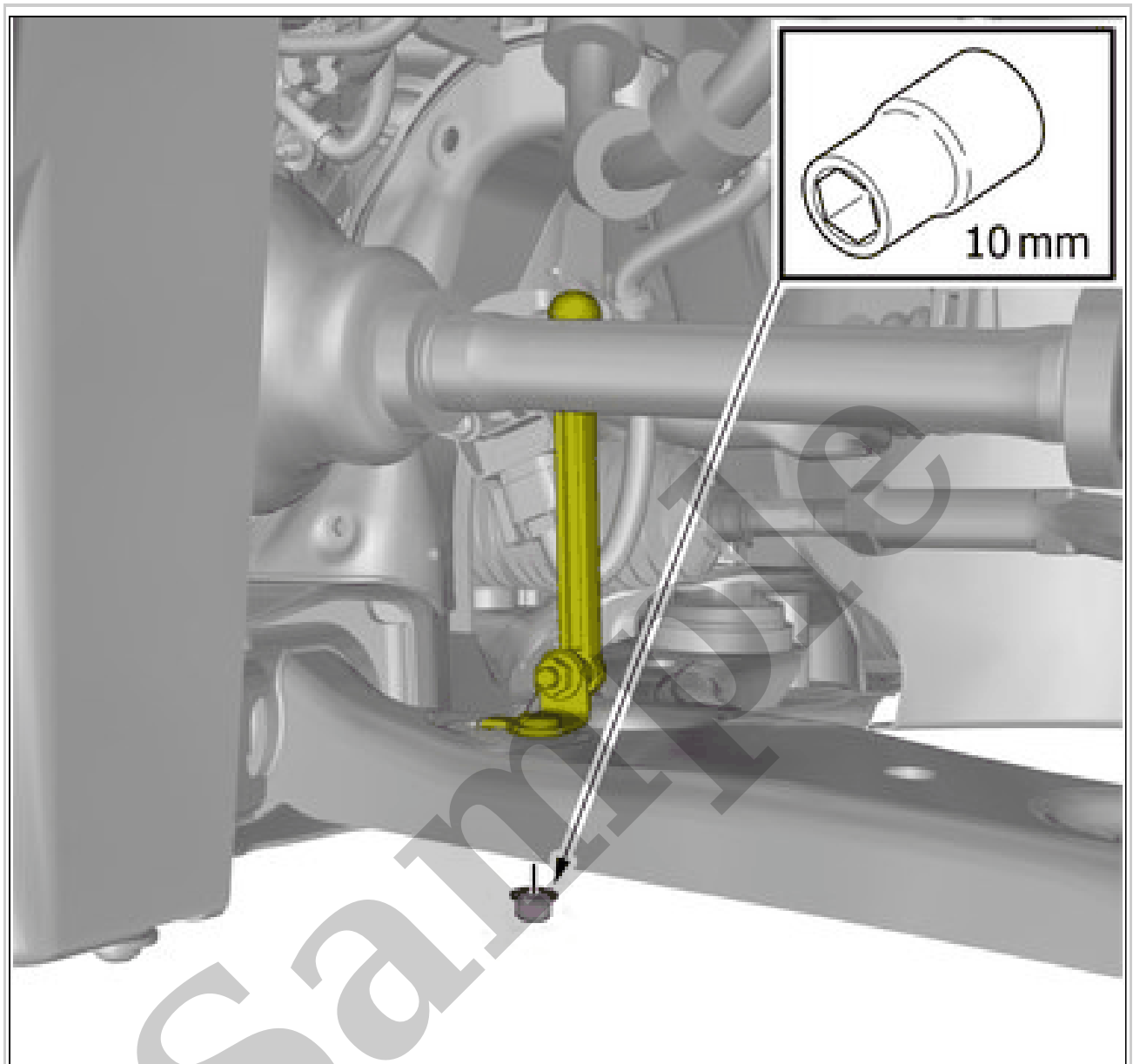
**Use:** Brass drift



Courtesy of VOLVO CARS CORPORATION

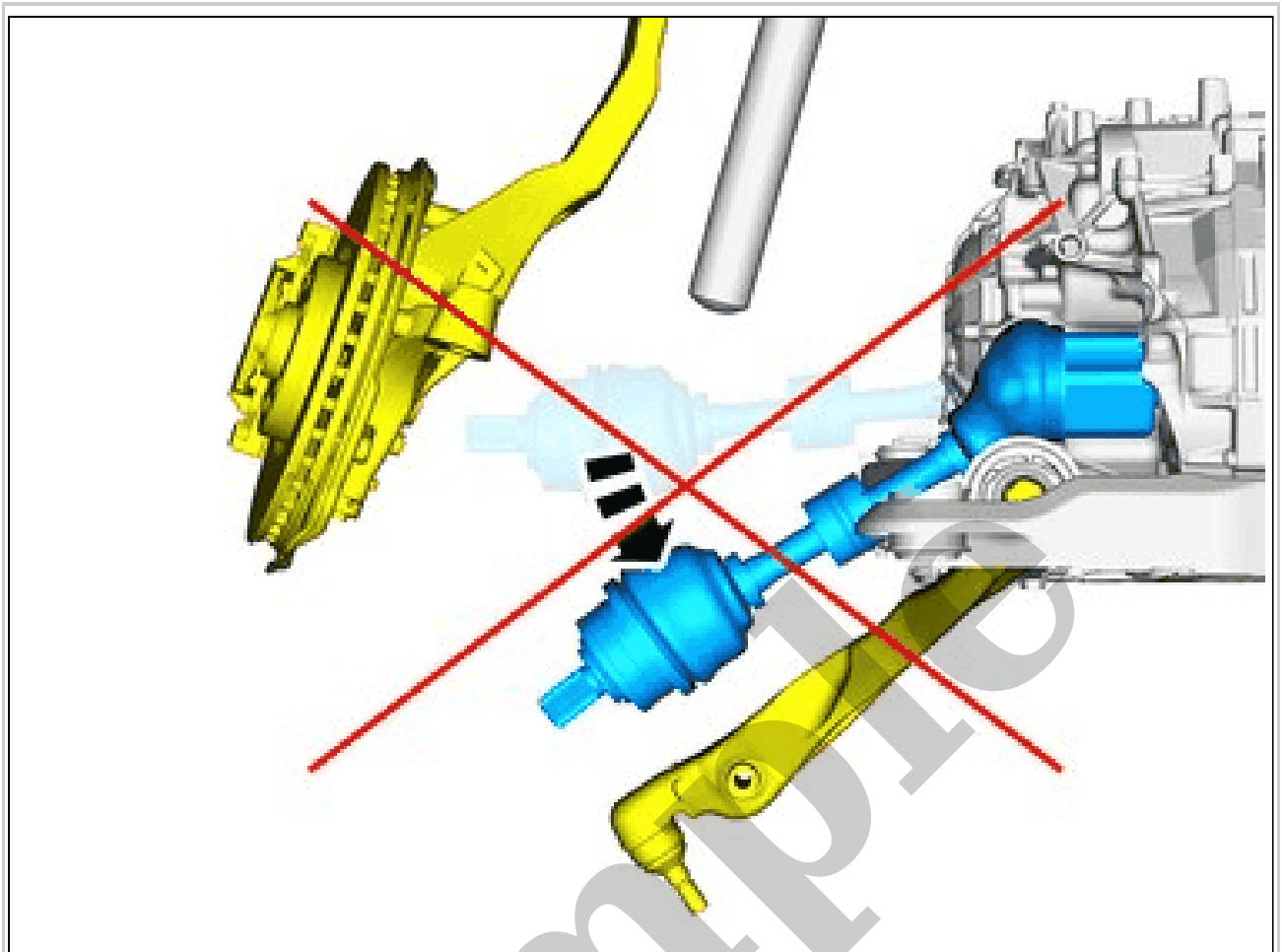
Install the marked component.

- Stage 2: 90°



Courtesy of VOLVO CARS CORPORATION

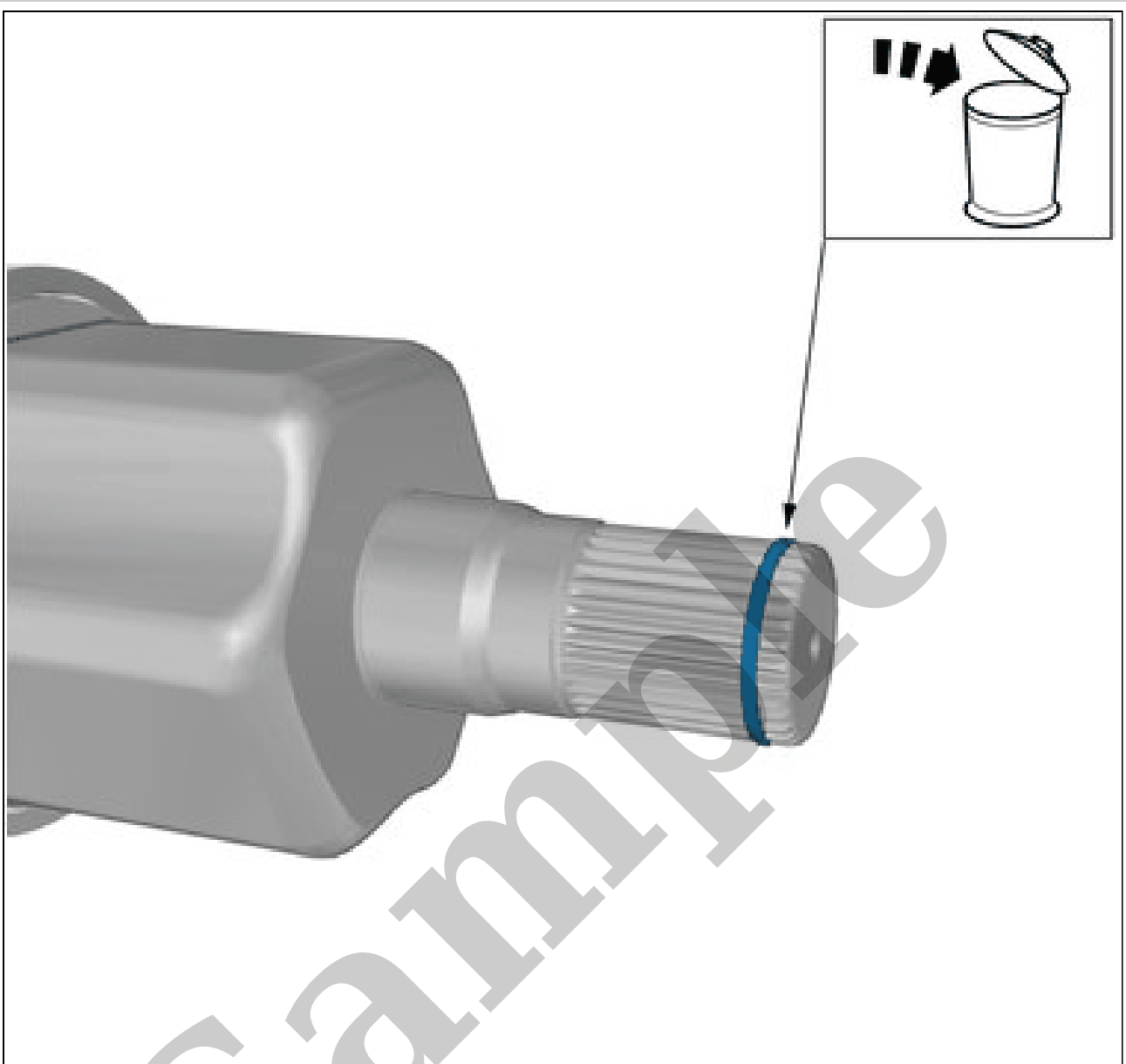
Remove the nut.  
Fold marked part aside.  
**Torque:** M6, 10Nm



Courtesy of VOLVO CARS CORPORATION

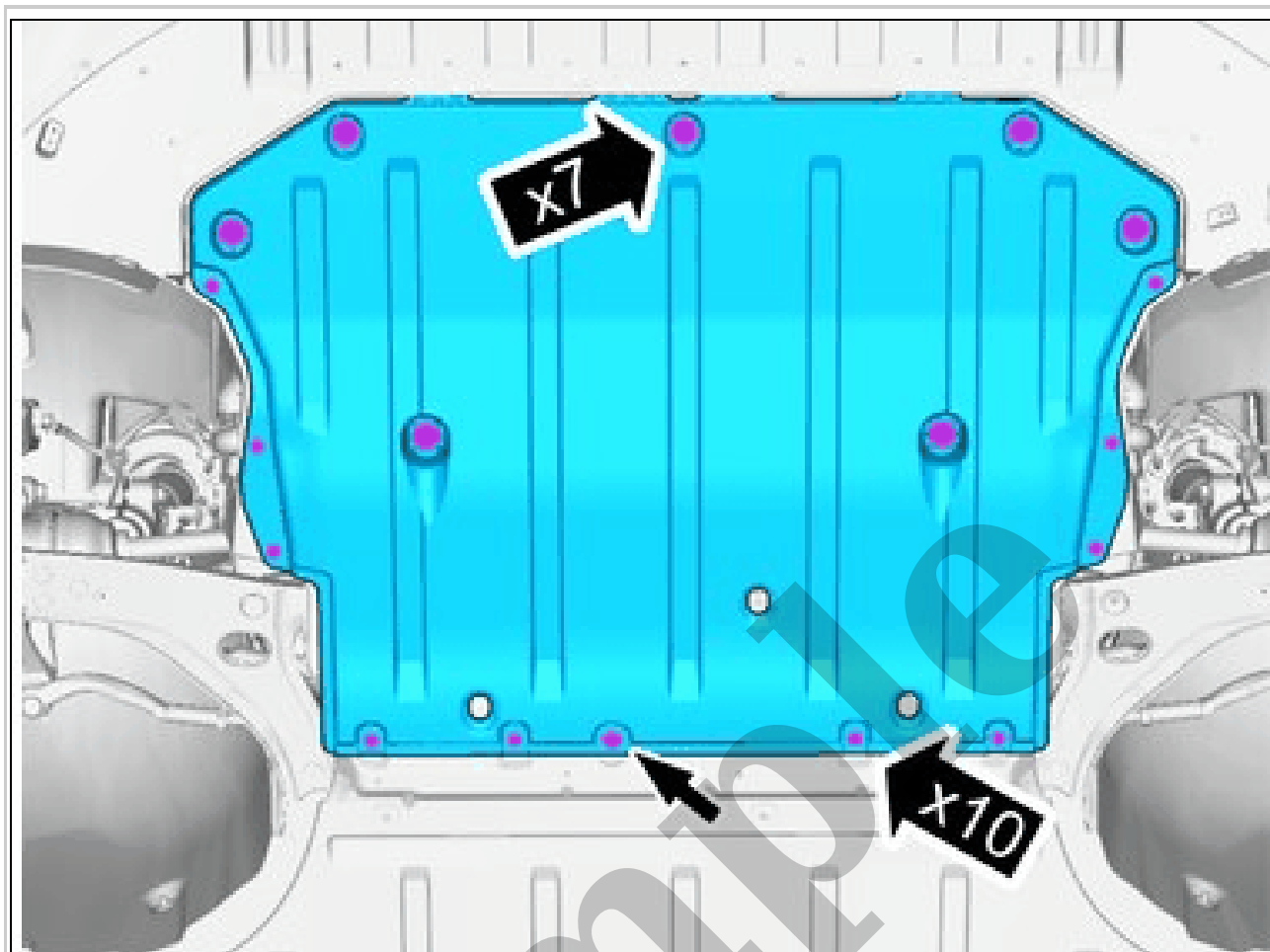
**CAUTION:** *Ensure that the component is supported while not connected to the wheel hub to avoid risk for damage on the inner joint.*





Courtesy of VOLVO CARS CORPORATION

**NOTE:** *Make sure that a new component is installed.*



Courtesy of VOLVO CARS CORPORATION

- Remove the screws.
- Remove the clip.
- Remove the marked part.