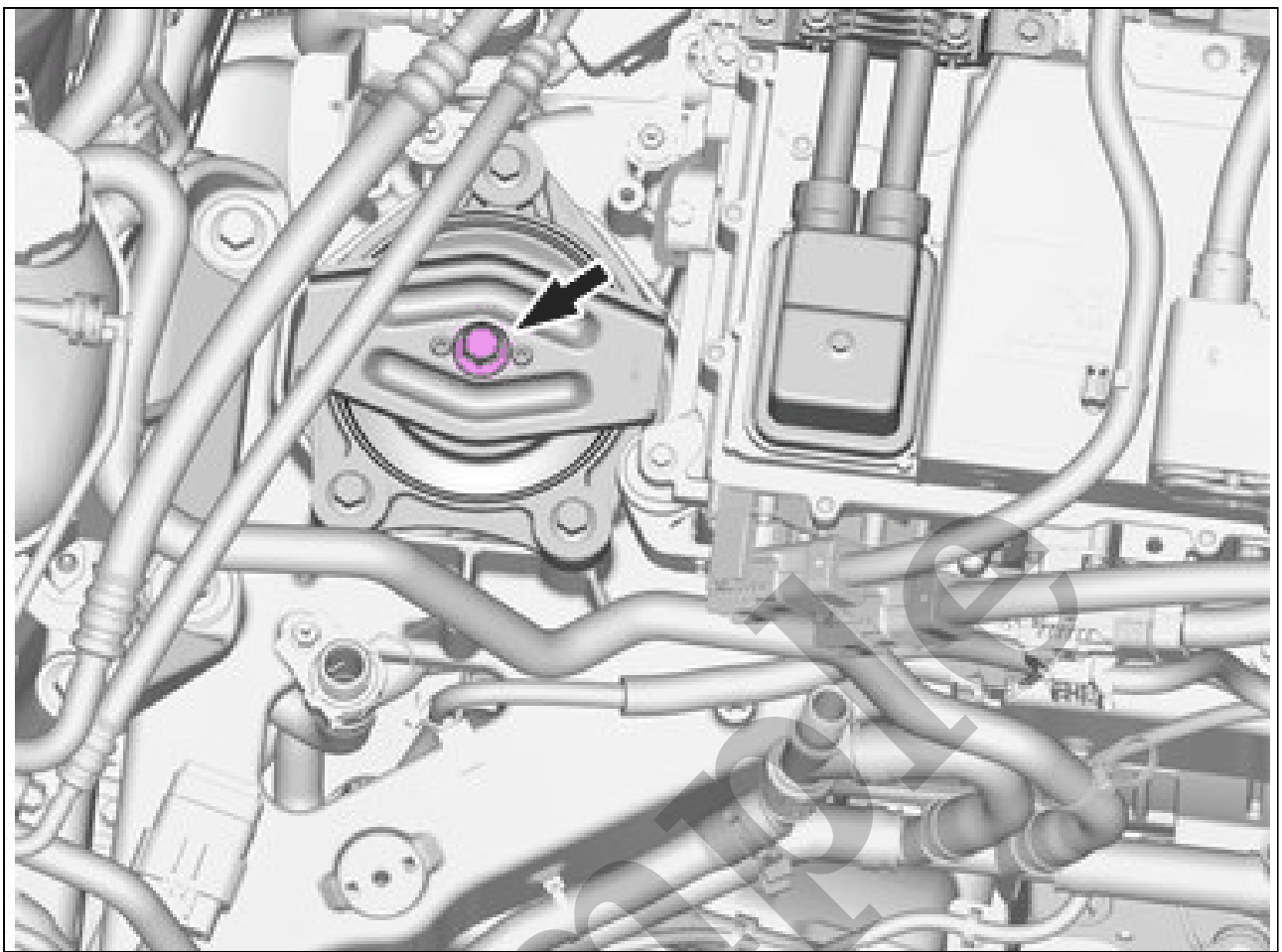


Your Ultimate Source for OEM Repair Manuals

FactoryManuals.net is a great resource for anyone who wants to save money on repairs by doing their own work. The manuals provide detailed instructions and diagrams that make it easy to understand how to fix a vehicle.

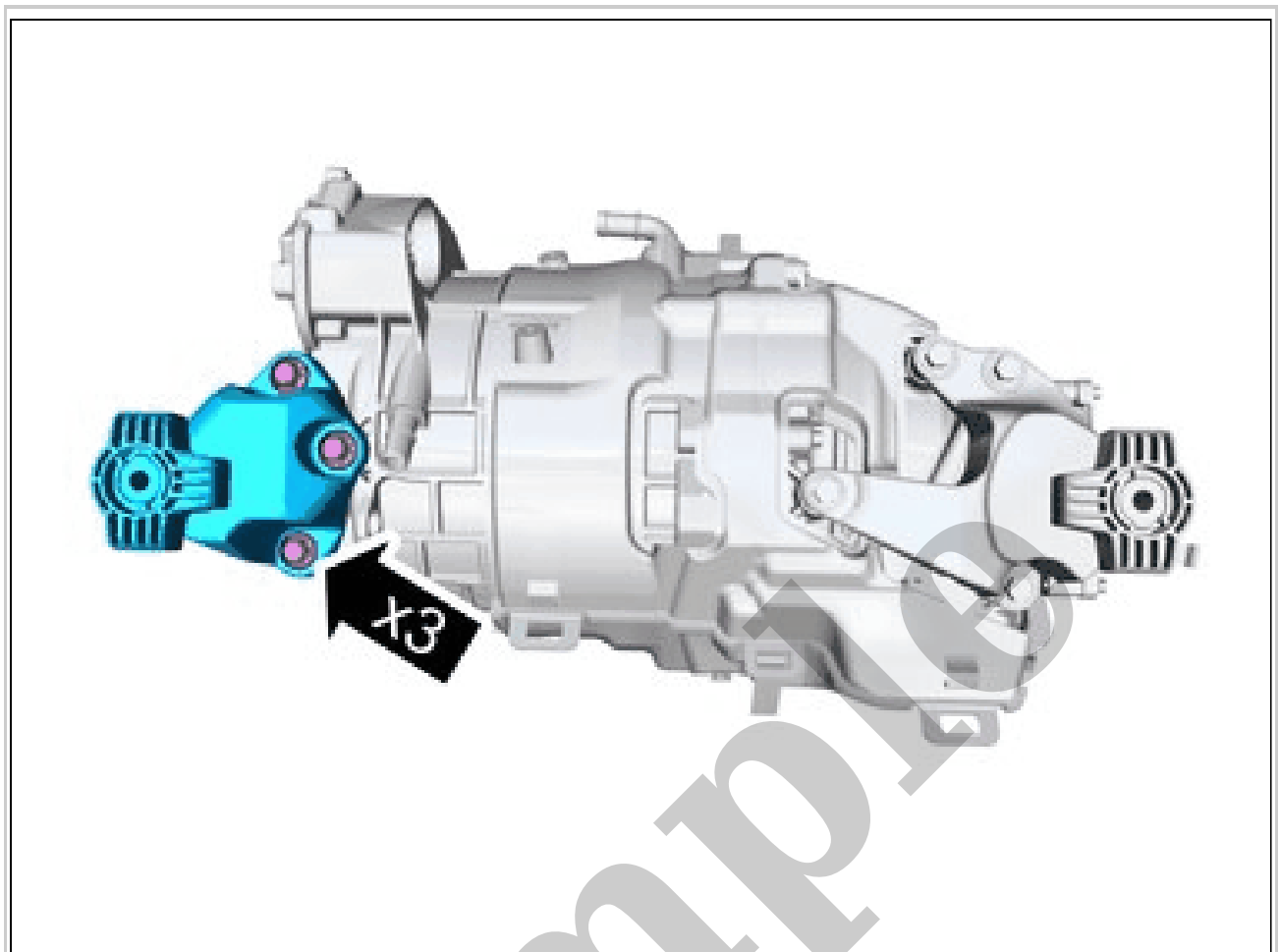
2024 Volvo V90 Cross Country Service and Repair Manual

[Go to manual page](#)



Courtesy of VOLVO CARS CORPORATION

Remove the screw.

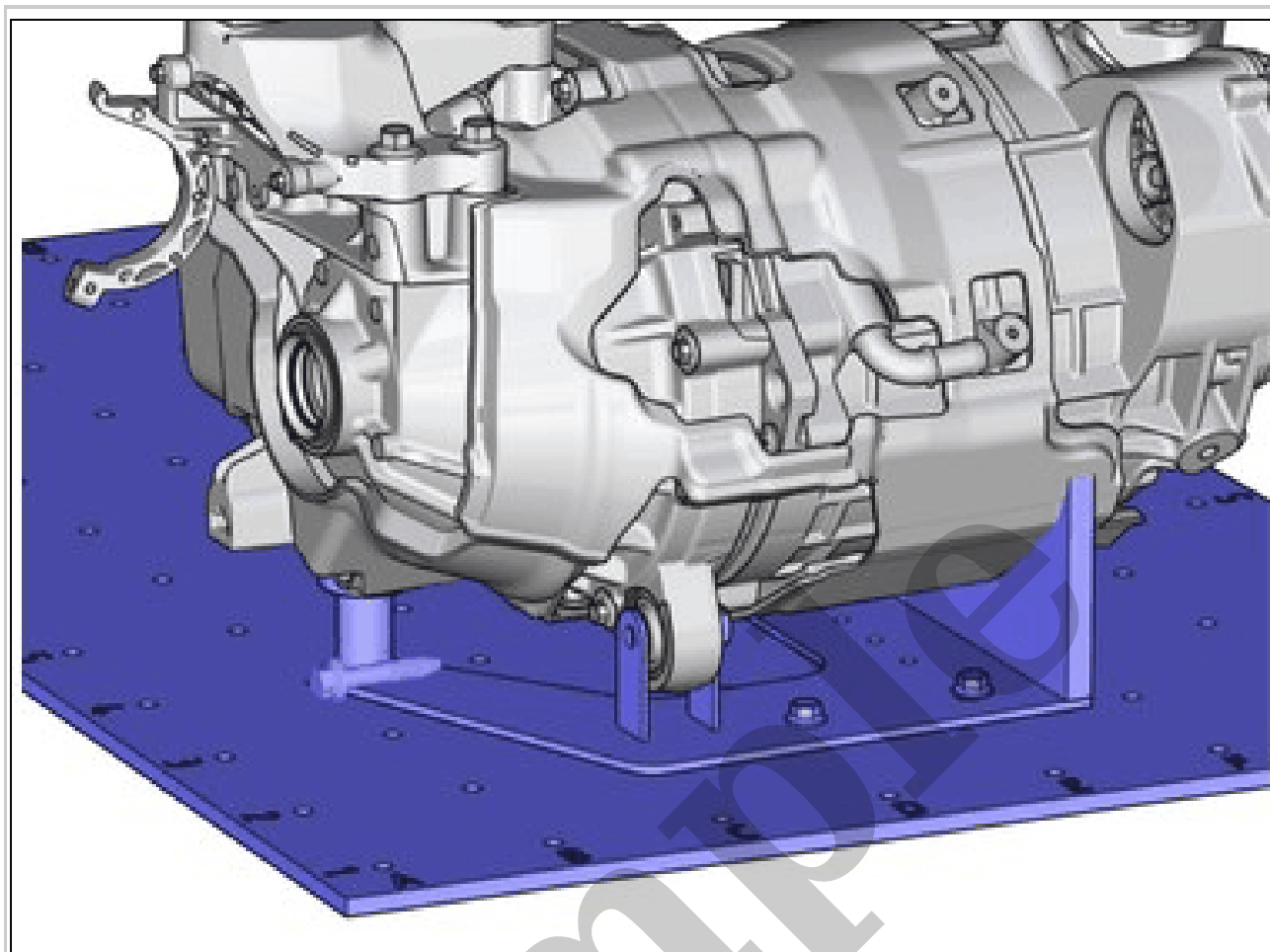


Courtesy of VOLVO CARS CORPORATION

Remove the screws.

Remove the marked part.

Torque: Engine pad bracket, to engine, 110Nm



Courtesy of VOLVO CARS CORPORATION

Remove the Special Tool.
Lift the vehicle.

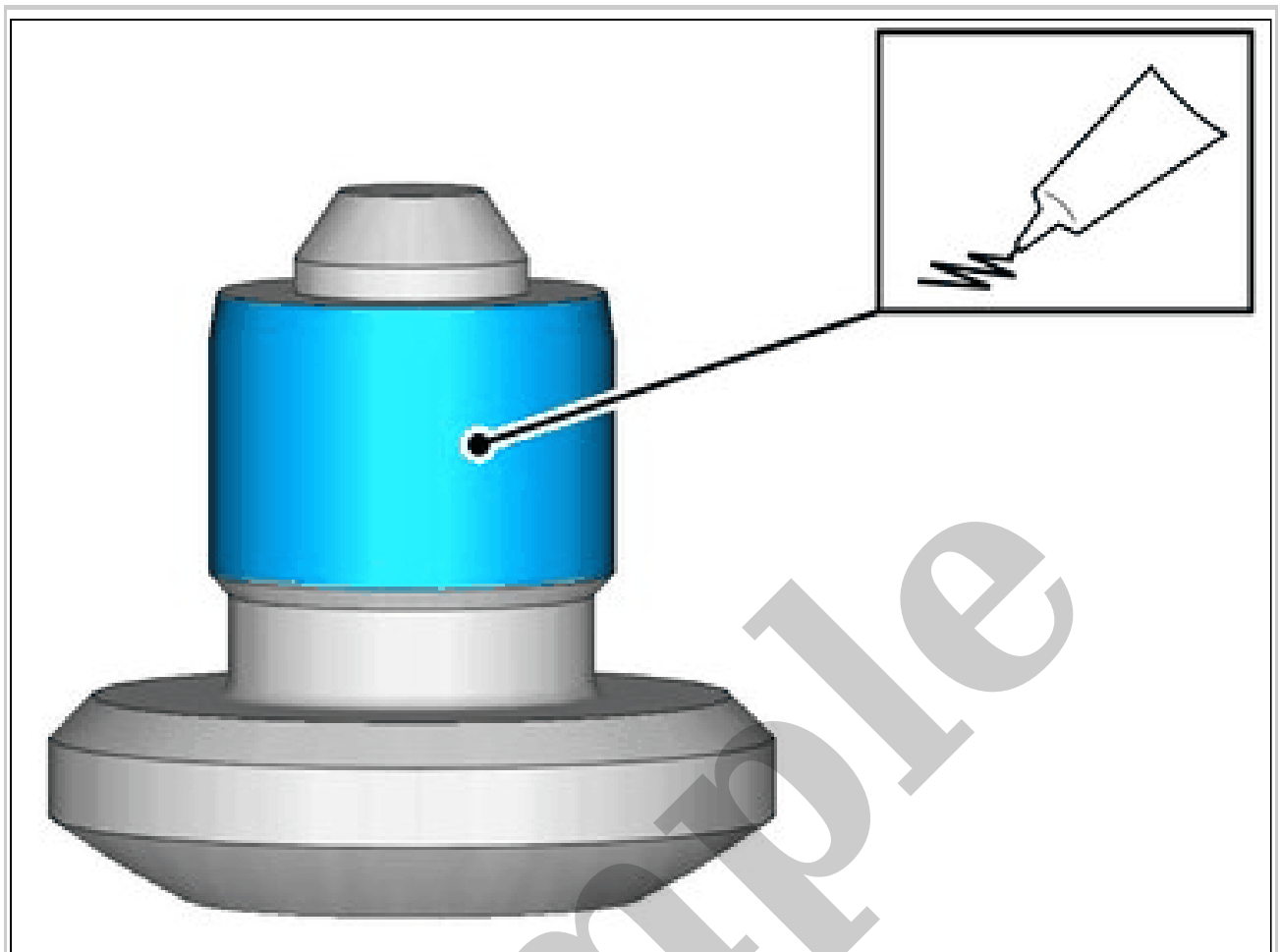
NOTE: Removal steps in this procedure may contain installation details.



Courtesy of VOLVO CARS CORPORATION

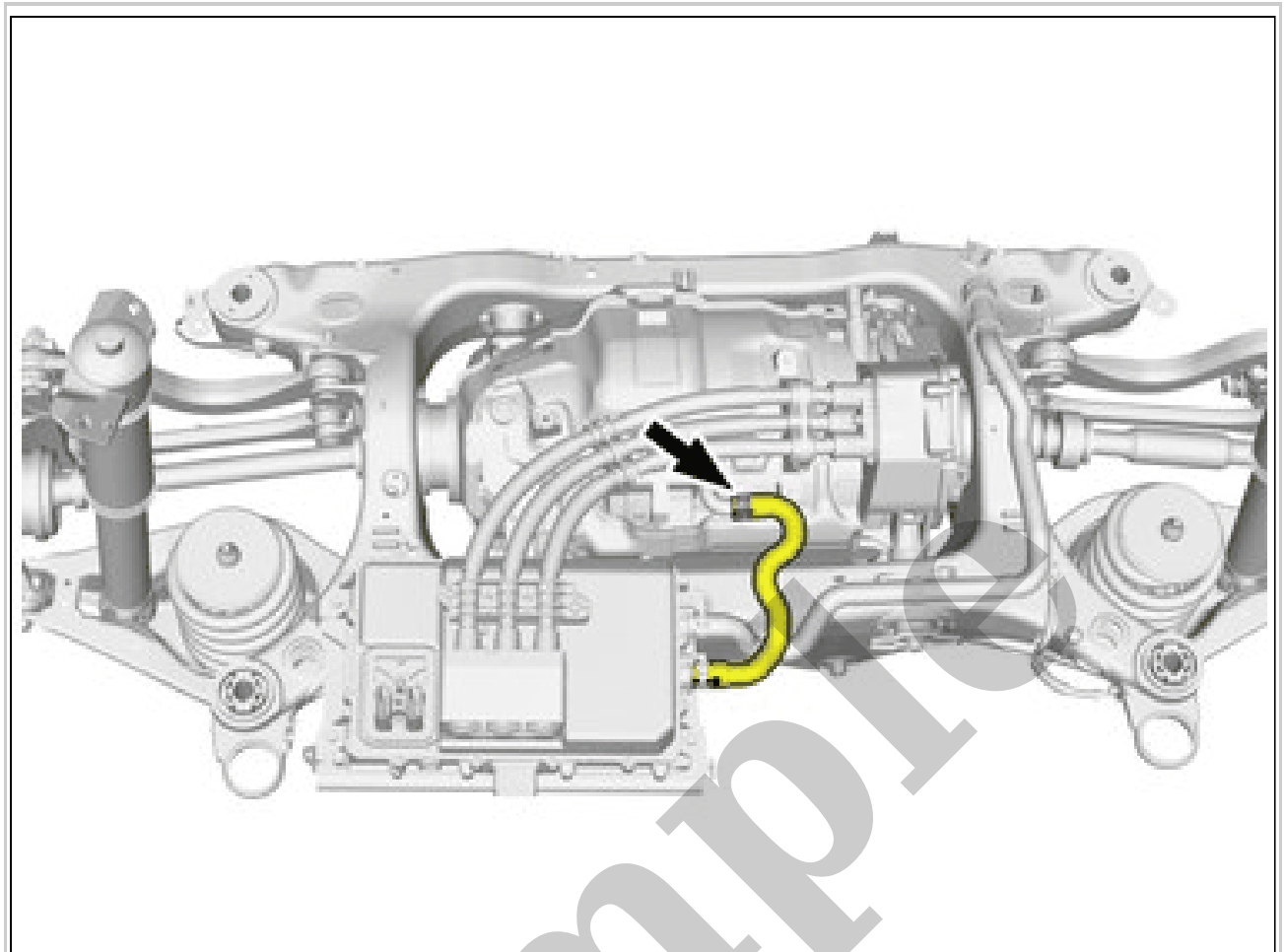
WARNING: Only specially trained technicians may work with the High voltage system.

Follow instructions for lifting points body frame. Refer to: JACKING POINTS BODY



Courtesy of VOLVO CARS CORPORATION

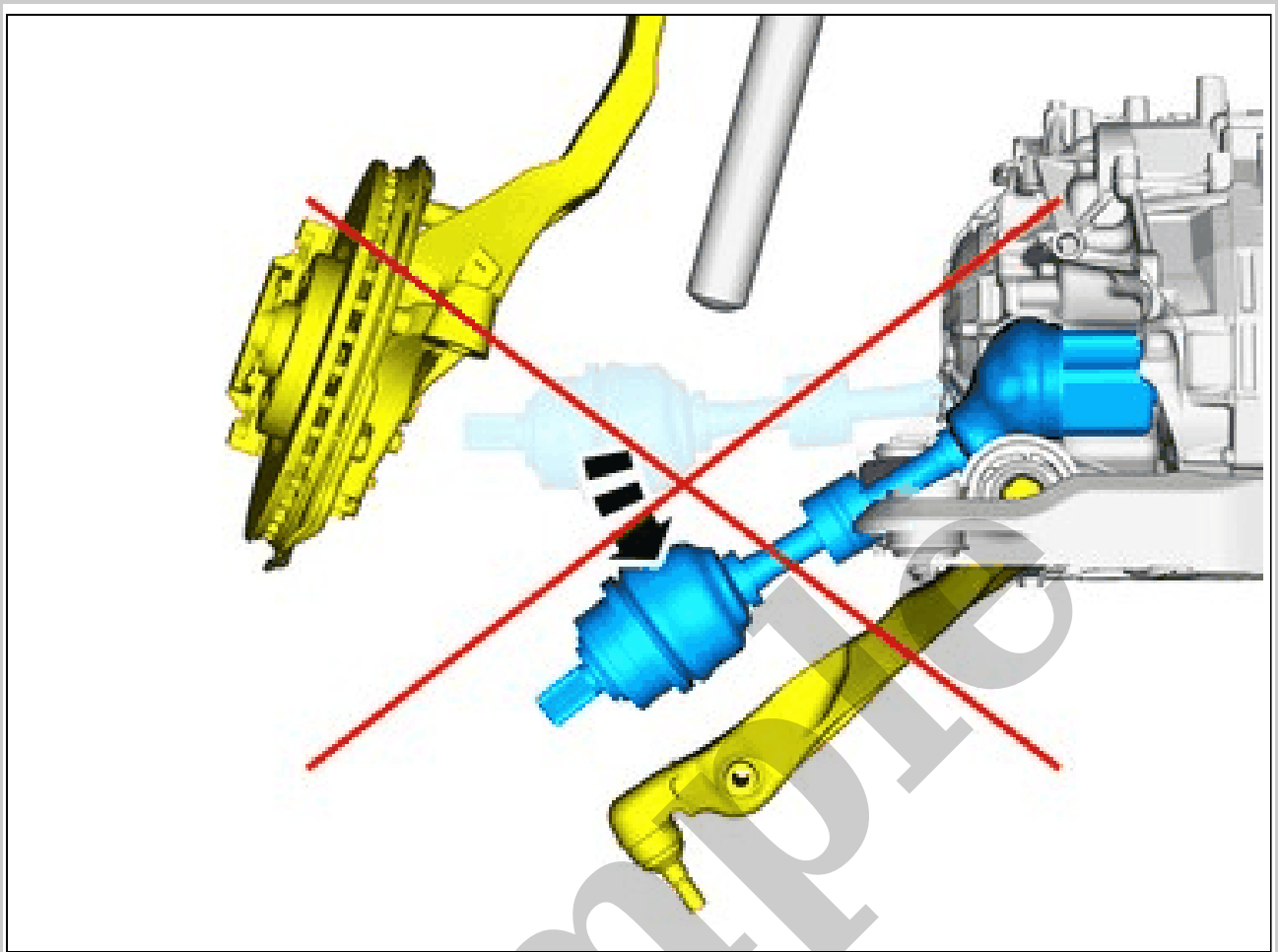
Use: Thread sealant, 1161056



Courtesy of VOLVO CARS CORPORATION

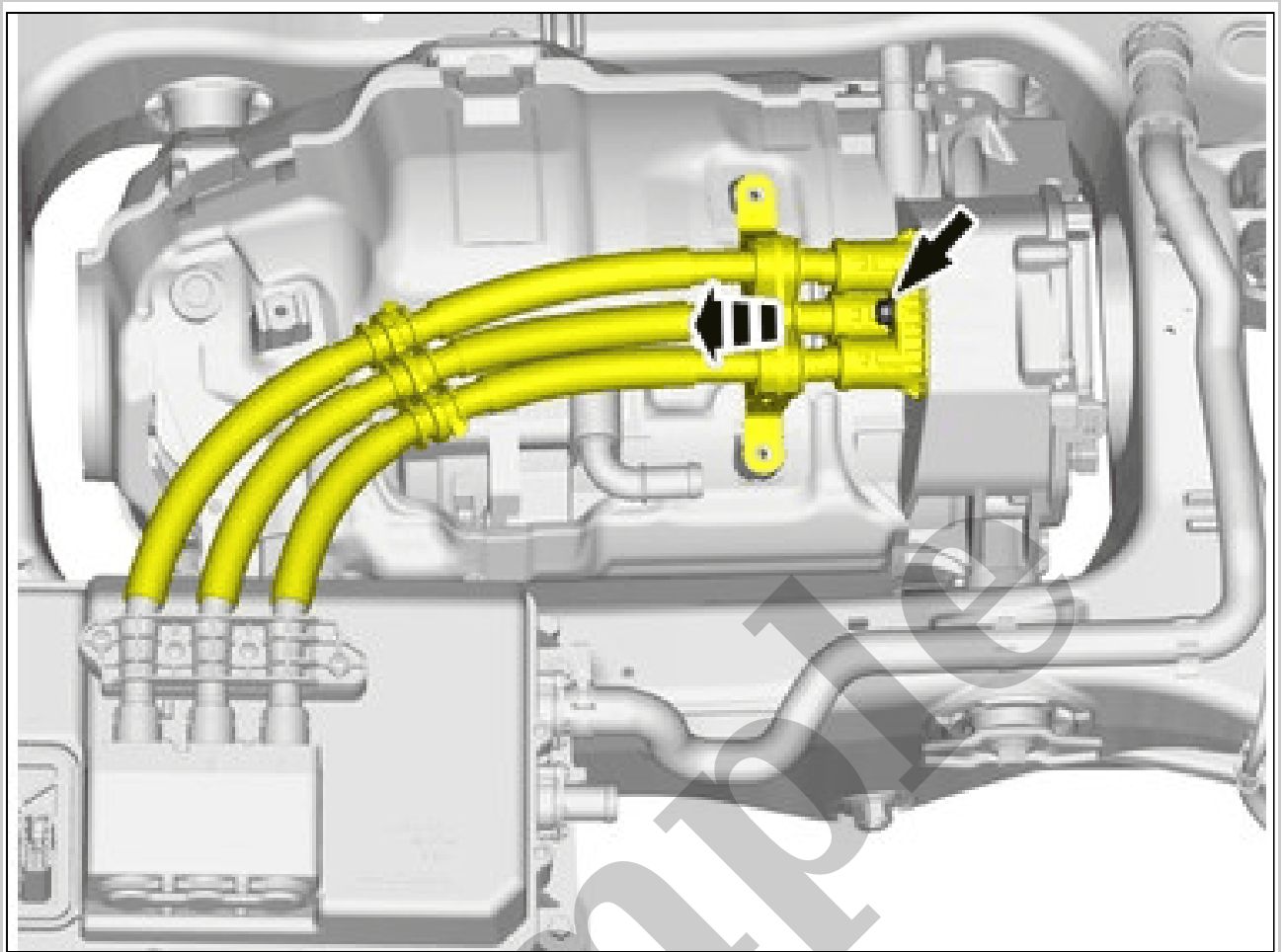
WARNING: *Be prepared to collect escaping fluid.*

Loosen the hose clamp.
Undo the hose from the connection.
Fold marked part aside.
ON BOTH SIDES.



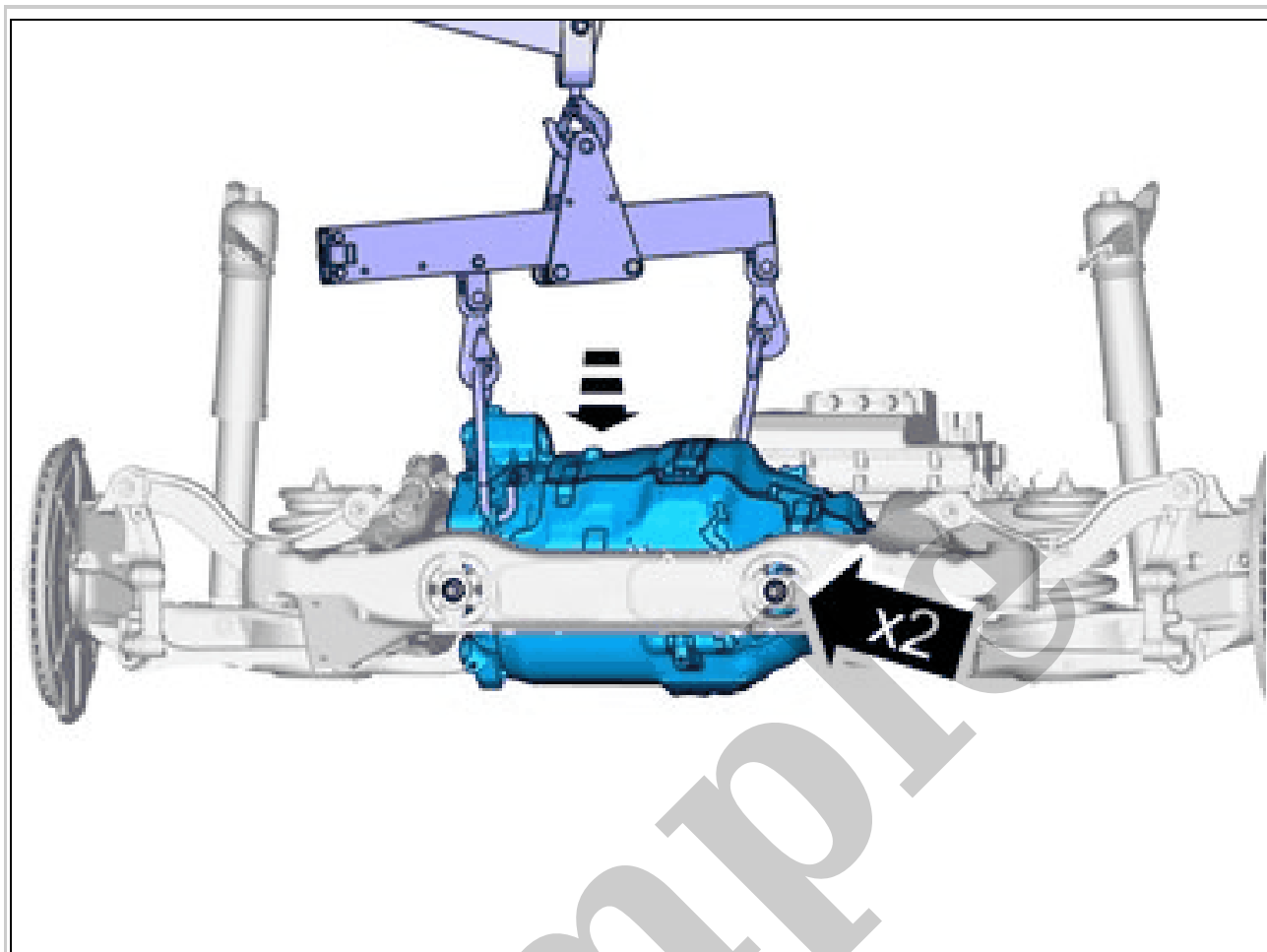
Courtesy of VOLVO CARS CORPORATION

CAUTION: *Ensure that the component is supported while not connected to the wheel hub to avoid risk for damage on the inner joint.*



Courtesy of VOLVO CARS CORPORATION

Loosen the screws.
Fold marked part aside.
Torque: M6, 10Nm



Courtesy of VOLVO CARS CORPORATION

Adjust the position of the component according to image.

Install the marked component.

Install the screws.

Tighten the bolts.

Torque: ERAD, to Subframe

- Stage 1: 90Nm
- Stage 2: 150°