

Your Ultimate Source for OEM Repair Manuals

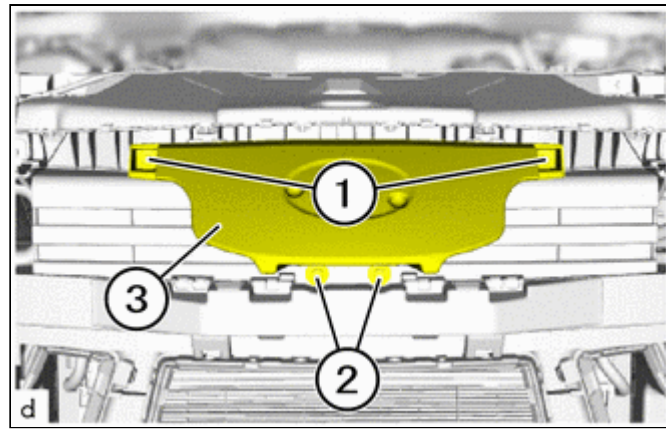
FactoryManuals.net is a great resource for anyone who wants to save money on repairs by doing their own work. The manuals provide detailed instructions and diagrams that make it easy to understand how to fix a vehicle.

2024 Toyota Venza Service Manual

[Go to manual page](#)

Bolt (2) :

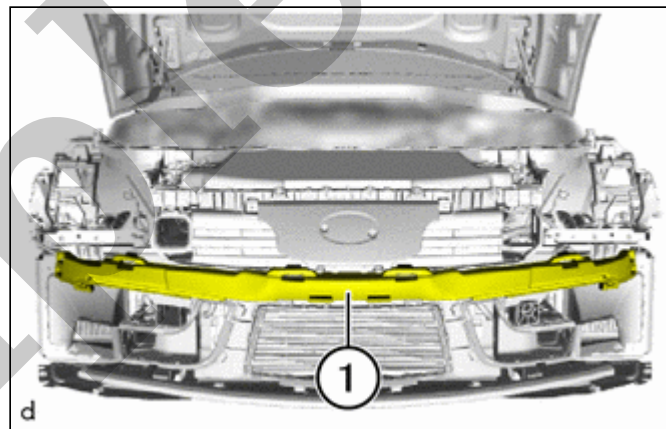
2.6 N·m {27 kgf·cm, 23 in·lbf}



31. INSTALL FRONT BUMPER ENERGY ABSORBER

(a) w/o Pedestrian detection chamber assembly:

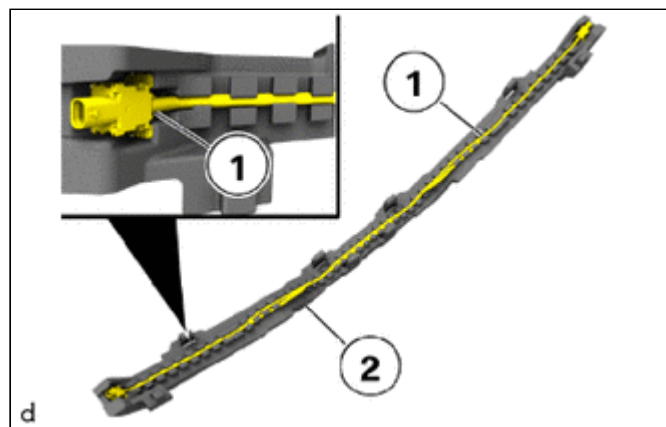
(1) Replace the front bumper energy absorber(1).



(2) Install the front bumper energy absorber (1).

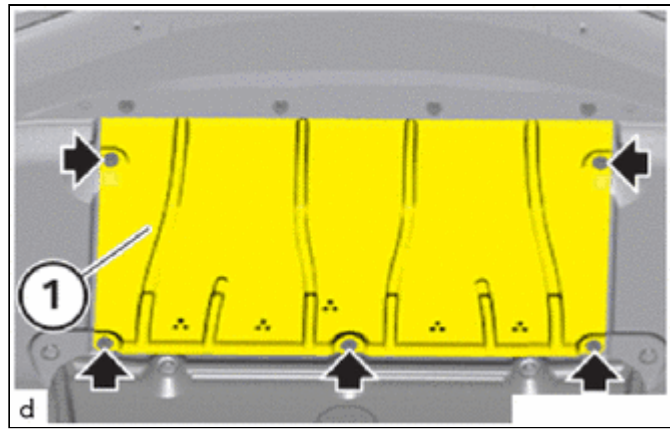
(b) w/ Pedestrian detection chamber assembly:

(1) Replace the front bumper energy absorber (1).



(2) Carefully install the pedestrian detection chamber assembly (1) into the front bumper energy absorber (2).

(3) Install the front bumper energy absorber with pedestrian detection chamber assembly (2).

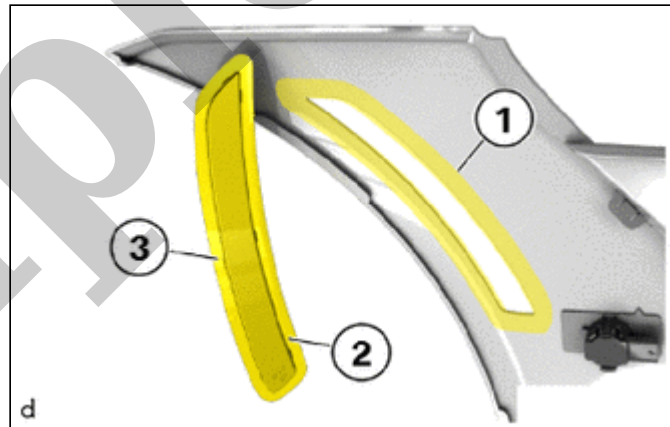


38. INSTALL NO. 1 ULTRASONIC SENSOR RETAINER

Click here [INFO](#)

39. INSTALL REFLEX REFLECTOR ASSEMBLY LH

(a) Replace the reflex reflector assembly LH (3).



(b) Remove adhesive residue on the bumper panel and clean the adhesive area (1) with cleaner.

Cleaner:
Cleaner R2

(c) Peel off the liner (2) from the adhesive tape.

(d) Install the reflex reflector assembly LH (3) in the designated area and press it on tightly.

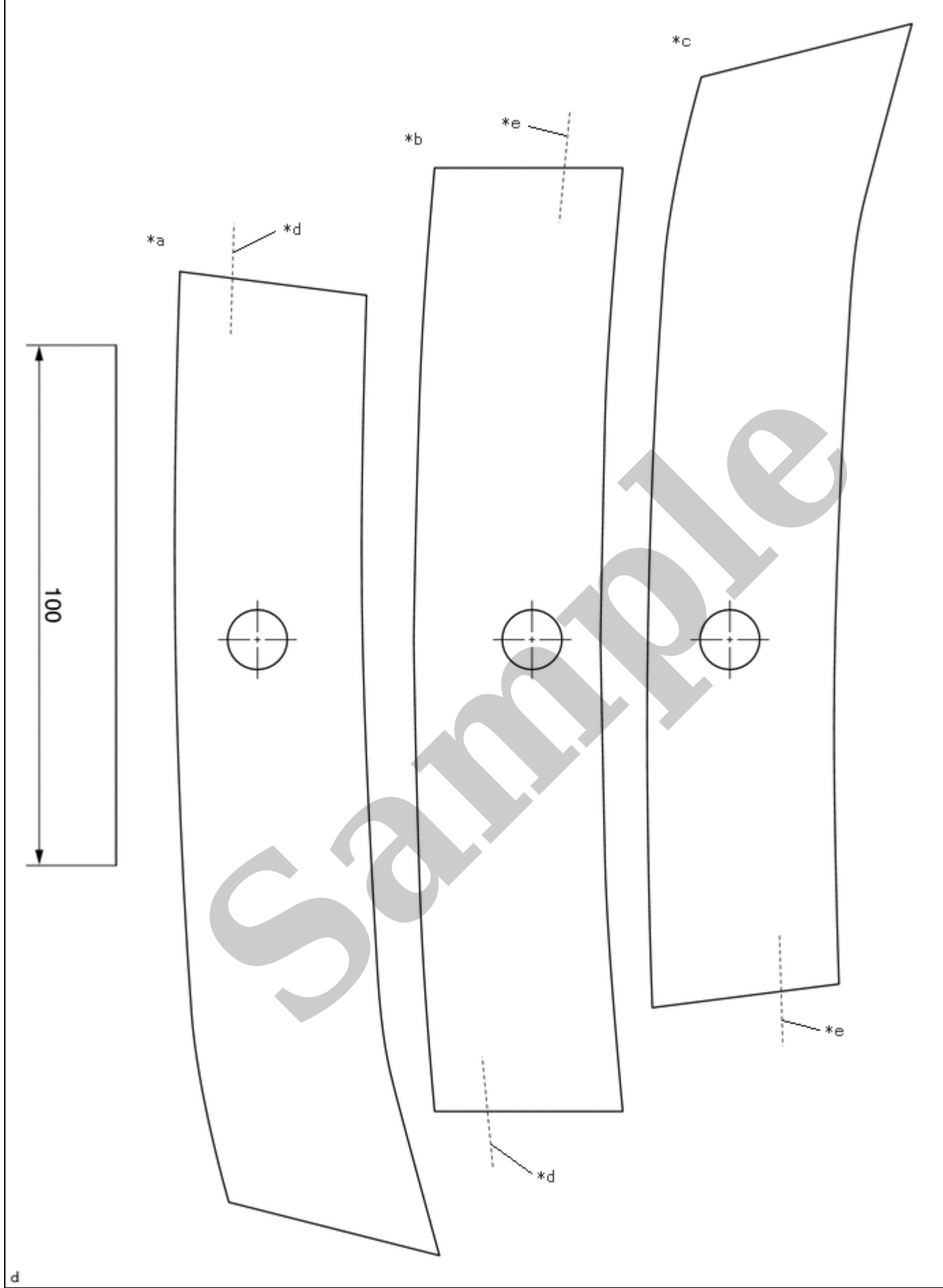
40. INSTALL REFLEX REFLECTOR ASSEMBLY RH

HINT:

Use the same procedure as for the LH side.

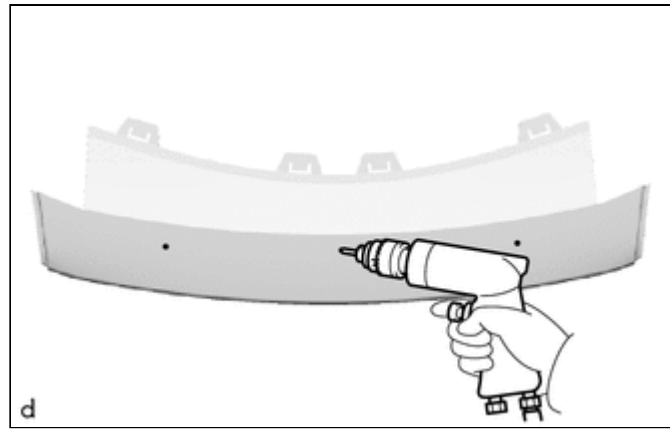
41. INSTALL COOL AIR INTAKE GRILLE LH

(a) Engage the claws (2) to install the cool air intake grille LH (1).

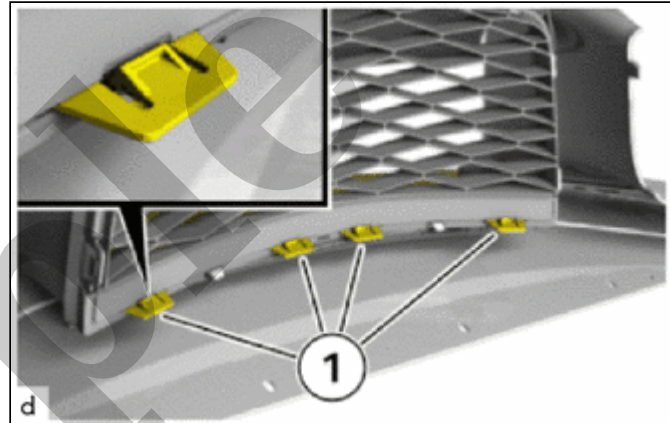


*a	Pattern A	*b	Pattern B
*c	Pattern C	*d	Reference Line A
*e	Reference Line B	-	-

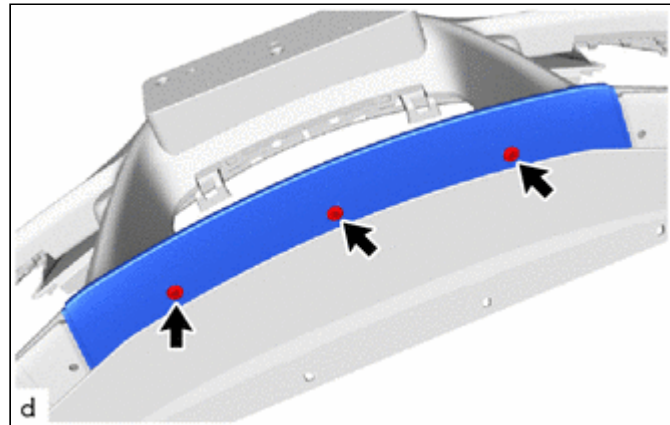
(8) Using a drill, drill 3 holes in the front spoiler sub-assembly.



(b) Engage the claws (1) to install the front spoiler sub-assembly.



(c) Install the 3 T30 bolts.



45. INSTALL FRONT SIDE SPOILER LH

(a) Engage the claws (1) to install the front side spoiler LH.