

Your Ultimate Source for OEM Repair Manuals

FactoryManuals.net is a great resource for anyone who wants to save money on repairs by doing their own work. The manuals provide detailed instructions and diagrams that make it easy to understand how to fix a vehicle.

2024 Toyota Tacoma Service Manual

[Go to manual page](#)

Last Modified: 07-26-2024	6.11:8.1.0	Doc ID: RM100000001RAHU
Model Year Start: 2021	Model: Supra	Prod Date Range: [07/2020 -]
Title: EXTERIOR PANELS / TRIM: FRONT BUMPER: DISASSEMBLY; 2021 - 2025 MY Supra [07/2020 -]		

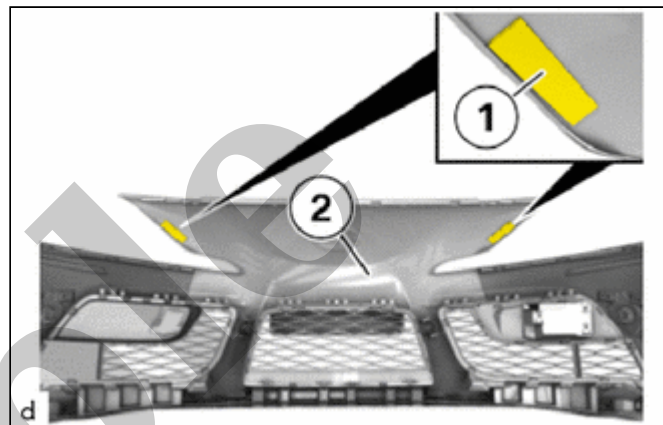
DISASSEMBLY

PROCEDURE

1. REMOVE FASTENER

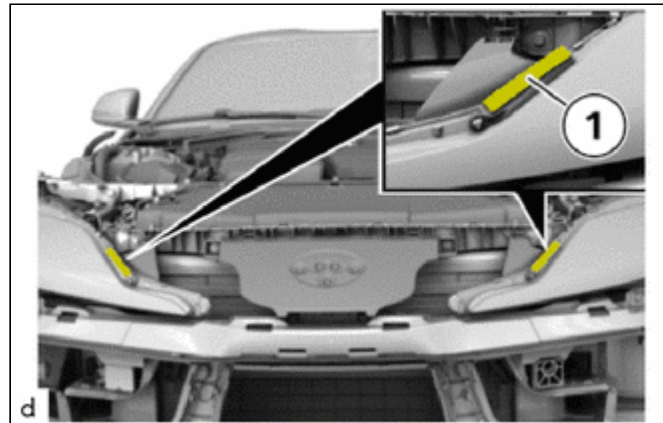
(a) for Front Bumper Assembly Side:

(1) Remove the fasteners (1) from the front bumper assembly (2).



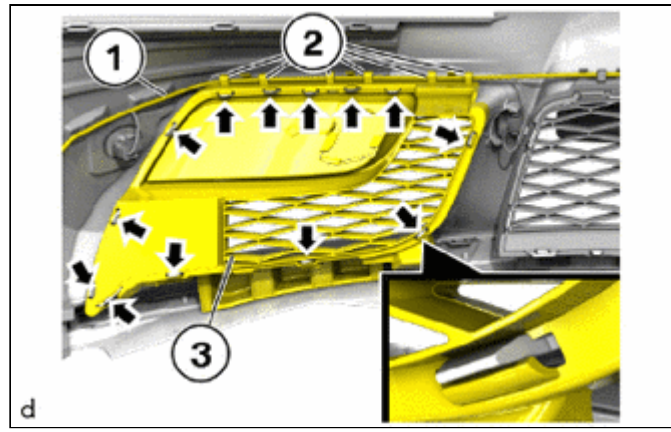
(b) for Vehicle Body Side:

(1) Remove the fasteners (1).



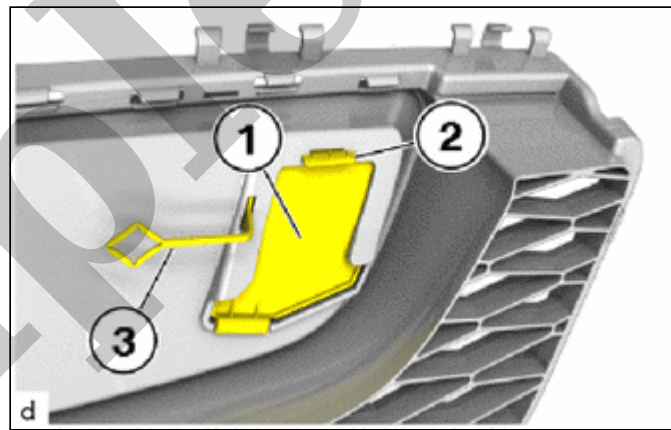
2. REMOVE FRONT BUMPER EXTENSION MOUNTING BRACKET

(a) Remove the screws (1) and front bumper extension mounting bracket (2).



(b) Disengage the claws to remove the lower radiator grille LH (3).

9. REMOVE FRONT BUMPER HOLE COVER



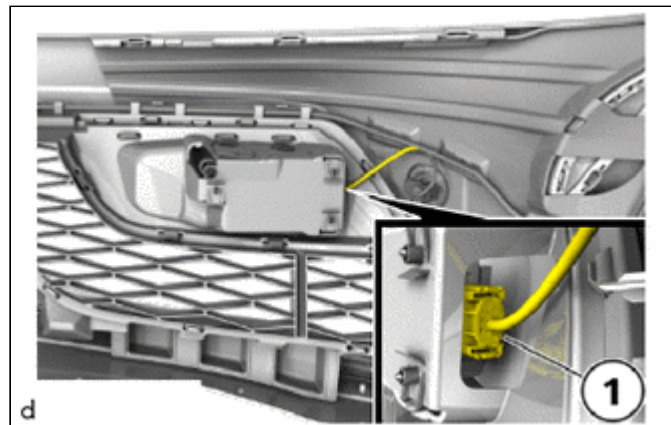
(a) Disengage the claw (2).

(b) Disengage the hook (3) to remove the front bumper hole cover (1).

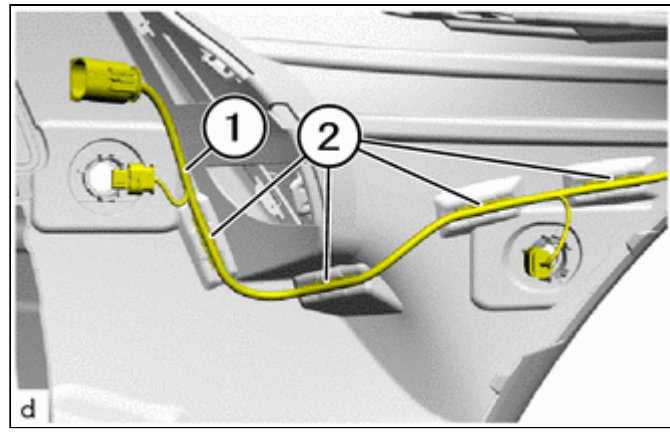
10. REMOVE LOWER RADIATOR GRILLE RH

(a) w/ Toyota Supra Safety:

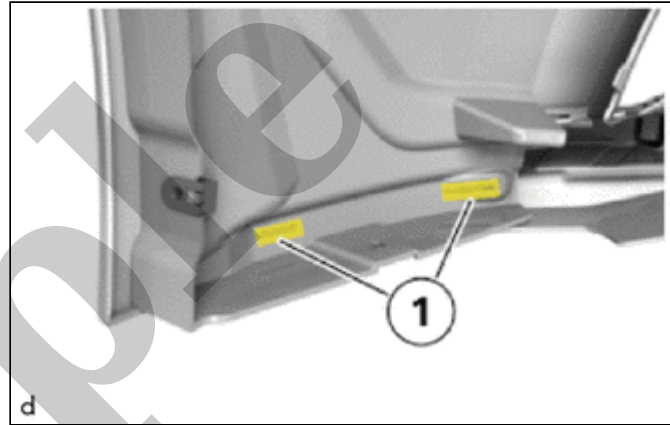
(1) Disconnect the connector (1).



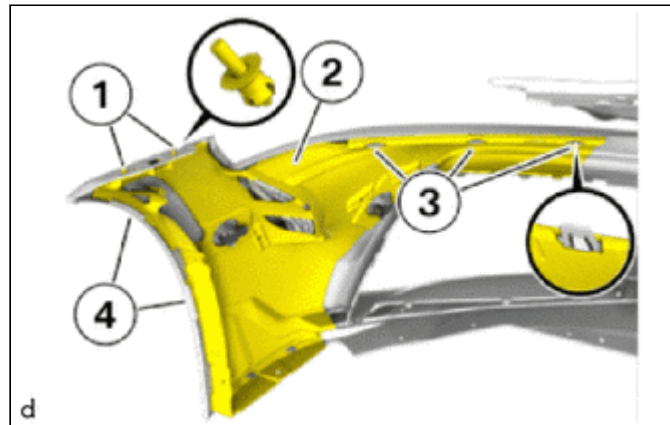
(b) Disconnect No. 4 engine room wire (1) from the guides (2) on the lower radiator grille RH (3).



(c) Disengage the welded connections (1).



(d) Remove the clips (1).



(e) Disengage the claws (3).

(f) Feed out and remove the front bumper side retainer LH (2) towards the inside on the guides (4).

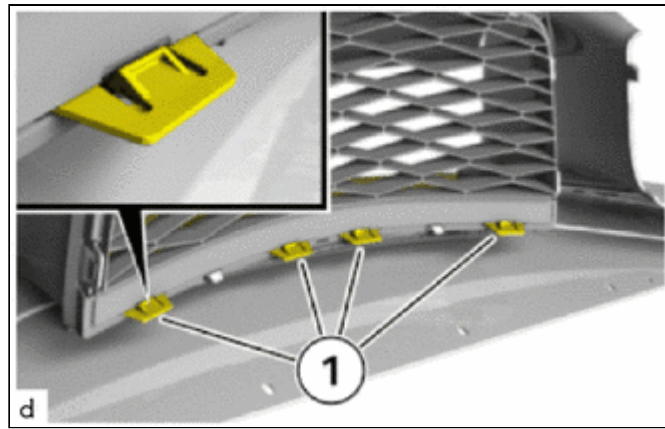
14. REMOVE FRONT BUMPER SIDE RETAINER RH

HINT:

Use the same procedure as for the LH side.

15. REMOVE FRONT SIDE SPOILER LH

(a) Remove the clips.

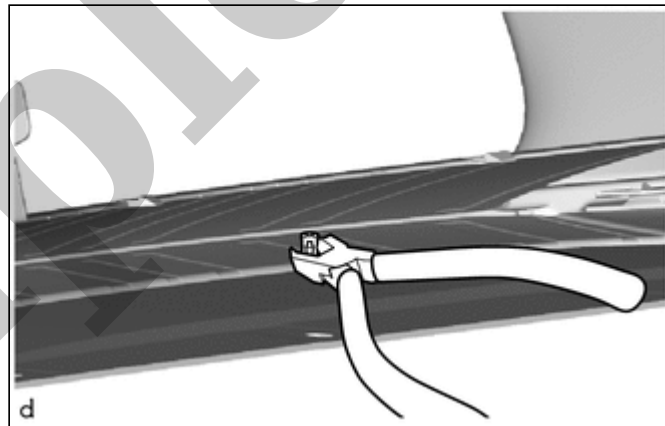


18. REMOVE NUT

HINT:

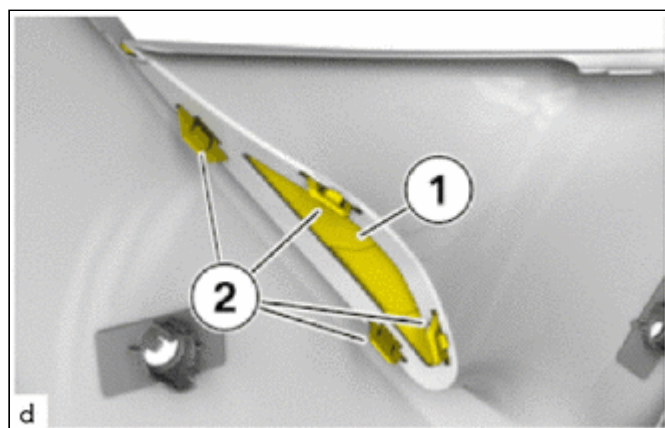
Perform the following procedure only when replacement of a nut.

- (a) Using a plier nipper (side cutters), remove the 3 nuts as shown in the illustration.



19. REMOVE COOL AIR INTAKE GRILLE LH

- (a) Disengage the claws (2) to remove the cool air intake grille LH (1).



20. REMOVE COOL AIR INTAKE GRILLE RH

HINT:

Use the same procedure as for the LH side.

21. REMOVE REFLEX REFLECTOR ASSEMBLY LH