

Your Ultimate Source for OEM Repair Manuals

FactoryManuals.net is a great resource for anyone who wants to save money on repairs by doing their own work. The manuals provide detailed instructions and diagrams that make it easy to understand how to fix a vehicle.

2024 Toyota Highlander Service and Repair Manual

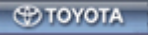
[Go to manual page](#)

Last Modified: 07-26-2024	6.11:8.1.0	Doc ID: RM100000001JCCV
Model Year Start: 2020	Model: Supra	Prod Date Range: [03/2019 -]
Title: WIPER / WASHER: FRONT WIPER RUBBER: REMOVAL; 2020 - 2025 MY Supra [03/2019 -]		

REMOVAL

CAUTION / NOTICE / HINT

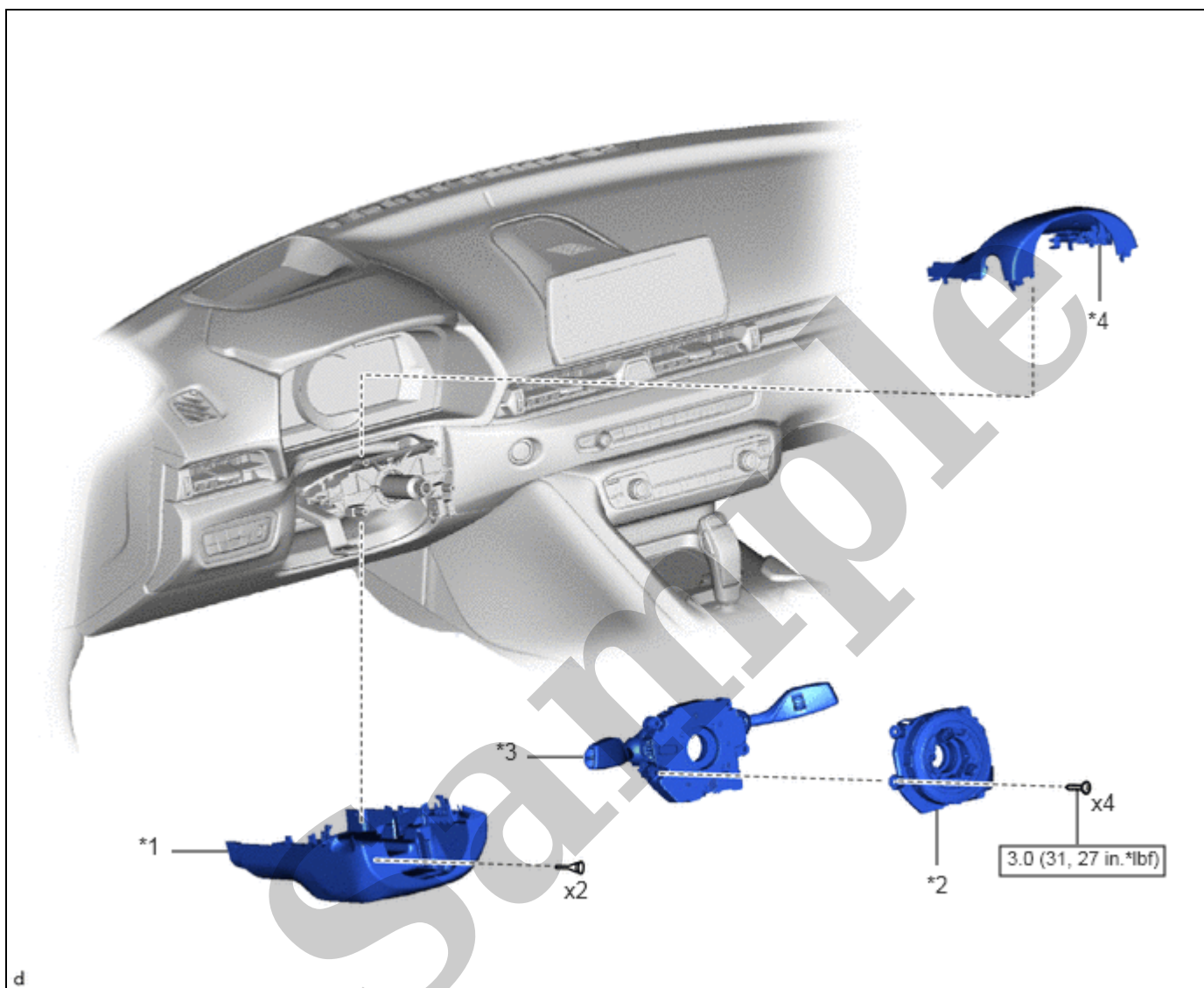
Click here 




Sample

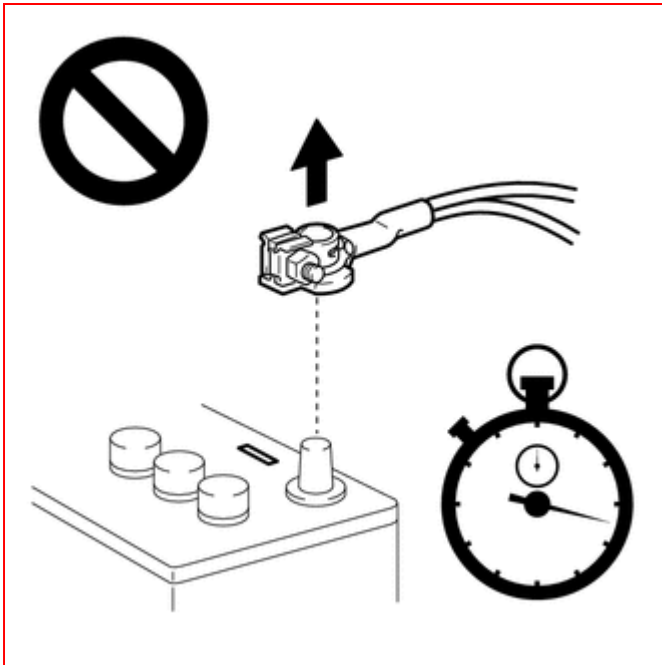
COMPONENTS

ILLUSTRATION



*1	LOWER STEERING COLUMN COVER	*2	SPIRAL CABLE SUB-ASSEMBLY
*3	TURN SIGNAL SWITCH ASSEMBLY	*4	UPPER STEERING COLUMN COVER
	N*m (kgf*cm, ft.*lbf): Specified torque	-	-

- Wait at least 60 seconds after disconnecting the cable from the negative (-) battery terminal to disable the SRS system.



- If the airbag deploys for any reason, it may cause a serious accident.

2. REMOVE STEERING WHEEL ASSEMBLY

Click here [INFO](#)

3. REMOVE UPPER STEERING COLUMN COVER

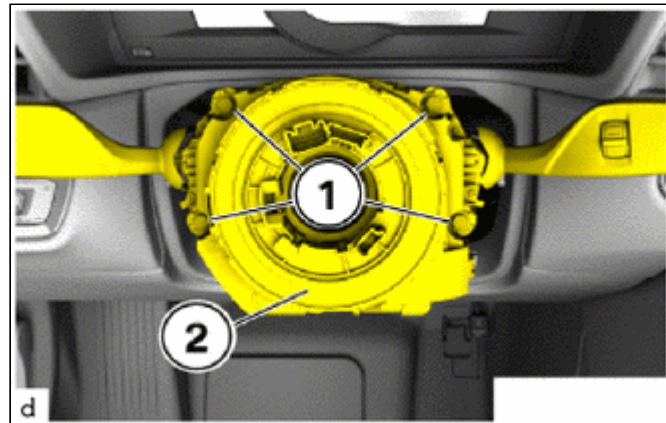
Click here [INFO](#)

4. REMOVE LOWER STEERING COLUMN COVER

Click here [INFO](#)

5. REMOVE TURN SIGNAL SWITCH ASSEMBLY

(a) Using a deep socket wrench 7 mm, remove screws (1).



(b) Disconnect the turn signal switch assembly (2).

(c) Disconnect the connectors (1) to remove the turn signal switch assembly (2) with the spiral cable sub-assembly.

Last Modified: 07-26-2024	6.11:8.1.0	Doc ID: RM100000001RAGT
Model Year Start: 2021	Model: Supra	Prod Date Range: [07/2020 -]
Title: WIPER / WASHER: WIPER SWITCH: REMOVAL; 2021 - 2025 MY Supra [07/2020 -]		

REMOVAL

CAUTION / NOTICE / HINT

CAUTION:

- Airbag unit.

Danger! Life-threatening injuries!



- All work on pyrotechnic parts may be carried out by technically experienced and appropriately trained personnel only.
- Replace any damaged part or ones that have been dropped.
- Before performing any work on the airbag, always disconnect the battery earth lead from the battery.
- Airbag unit may only be set down with the cushion (airbag itself) facing upwards.
- For additional information see: Safety regulations on handling components with gas generators.

Click here [INFO](#)

PROCEDURE

1. DISCONNECT CABLE FROM NEGATIVE BATTERY TERMINAL

- for B46:

Click here [INFO](#)

- for B48:

Click here [INFO](#)

- for B58:

Click here [INFO](#)

CAUTION: