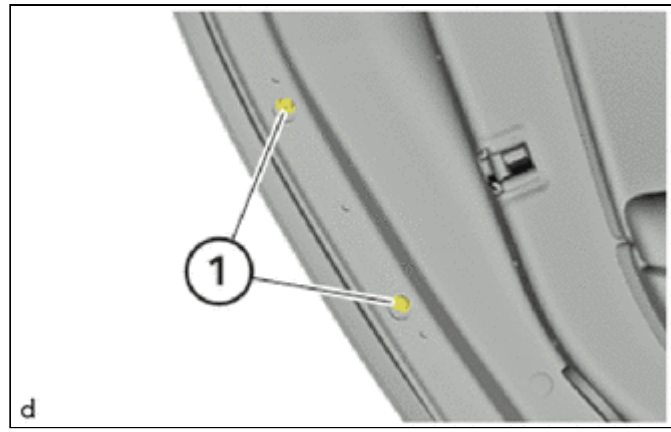


Your Ultimate Source for OEM Repair Manuals

FactoryManuals.net is a great resource for anyone who wants to save money on repairs by doing their own work. The manuals provide detailed instructions and diagrams that make it easy to understand how to fix a vehicle.

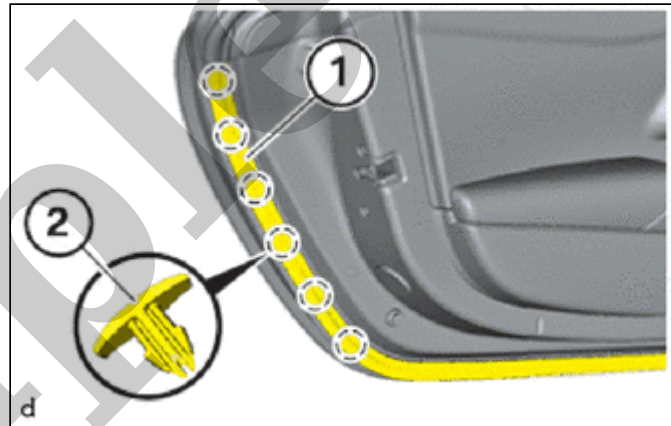
Toyota Camry 2024 Manual - Service & Repair Guide

[Go to manual page](#)



2. INSTALL FRONT DOOR WEATHERSTRIP

(a) Engage the clips to install the front door weatherstrip (1).



REMOVAL

CAUTION / NOTICE / HINT

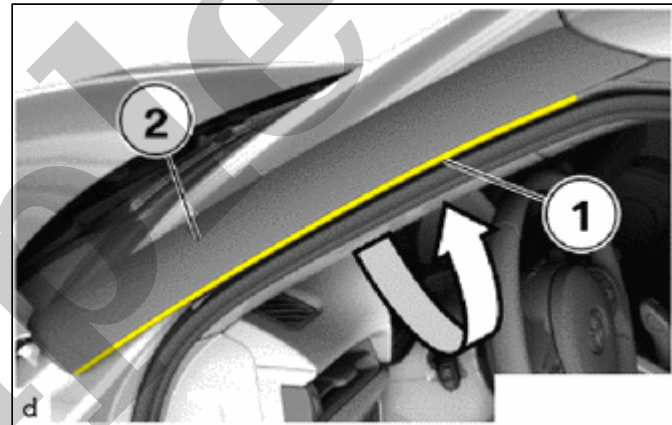
HINT:

- Use the same procedure for both the LH and RH sides.
- The procedure described below is for the LH side.

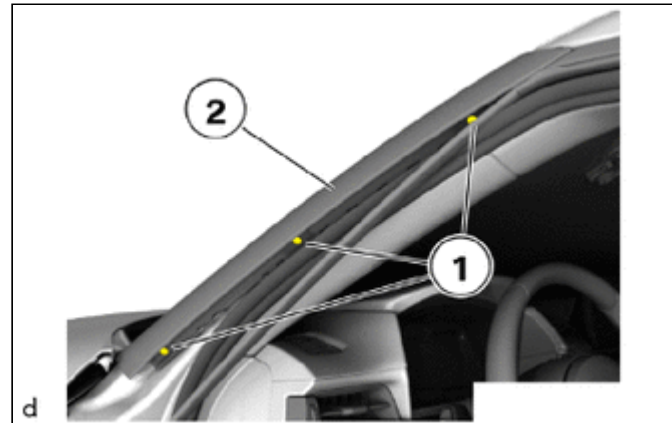
PROCEDURE

1. REMOVE ROOF DRIP SIDE FINISH MOULDING

- (a) Disconnect the front door window frame front moulding (1) in the direction of arrow on the roof drip side finish moulding (2).



- (b) Remove the T20 screws (1) on the roof drip side finish moulding (2).



- (c) Disengage the claws (1) to remove the roof drip side finish moulding (2).

Last Modified: 07-26-2024	6.11:8.1.0	Doc ID: RM100000001JCN6
Model Year Start: 2020	Model: Supra	Prod Date Range: [03/2019 -]
Title: EXTERIOR PANELS / TRIM: WINDSHIELD OUTSIDE MOULDING: INSTALLATION; 2020 - 2025 MY Supra [03/2019 -]		

INSTALLATION

CAUTION / NOTICE / HINT

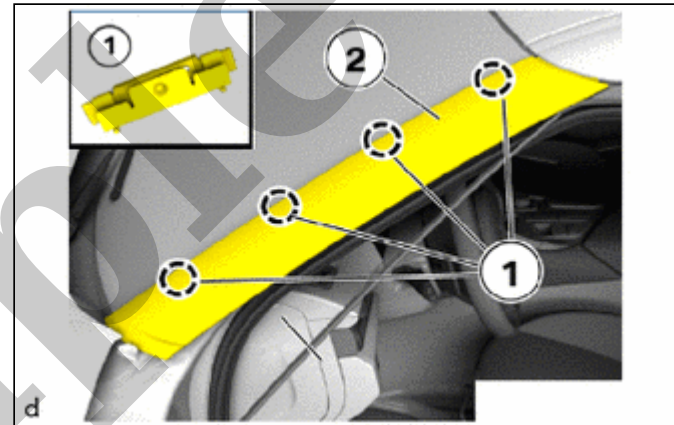
HINT:

- Use the same procedure for both the LH and RH sides.
- The procedure described below is for the LH side.

PROCEDURE

1. INSTALL ROOF DRIP SIDE FINISH MOULDING

(a) Install the roof drip side finish moulding clips (1).

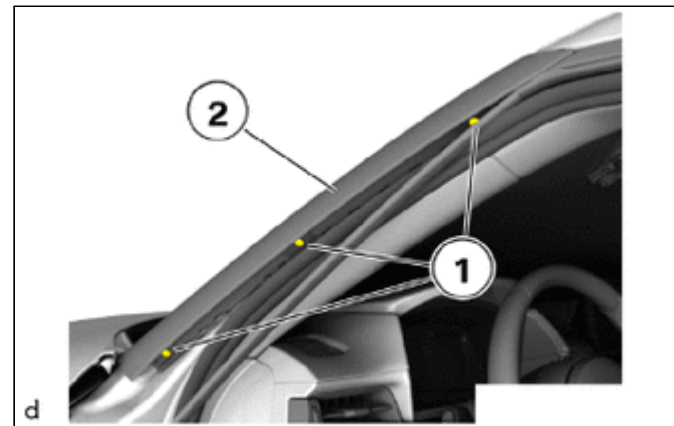


(b) Engage the claws (1) to install the roof drip side finish moulding (2).

(c) Install the T20 screws (1) on the roof drip side finish moulding (2).

Torque:

1.8 N·m {18 kgf·cm, 16 in·lbf}



(d) Connect the front door window frame front moulding.



Last Modified: 07-26-2024	6.11:8.1.0	Doc ID: RM100000001JCNB
Model Year Start: 2020	Model: Supra	Prod Date Range: [03/2019 -]
Title: EXTERIOR PANELS / TRIM: ROOF DRIP SIDE FINISH MOULDING: REMOVAL; 2020 - 2025 MY Supra [03/2019 -]		

REMOVAL

CAUTION / NOTICE / HINT

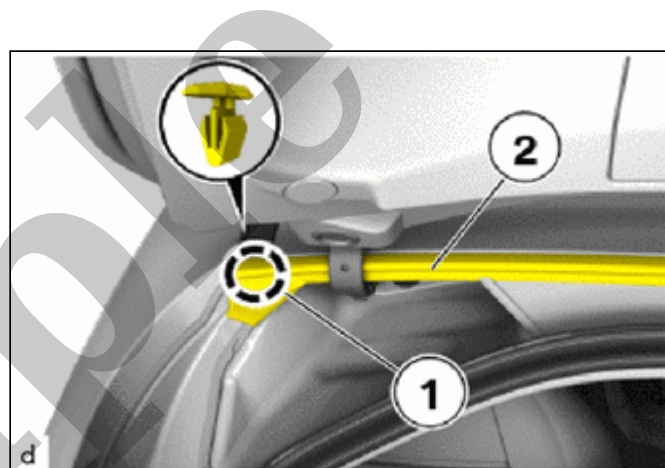
HINT:

- Use the same procedure for both the LH and RH sides.
- The procedure described below is for the LH side.

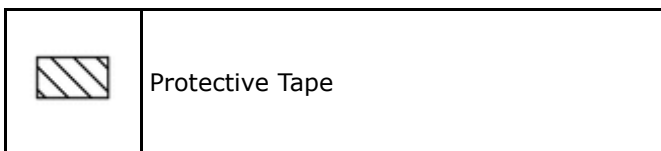
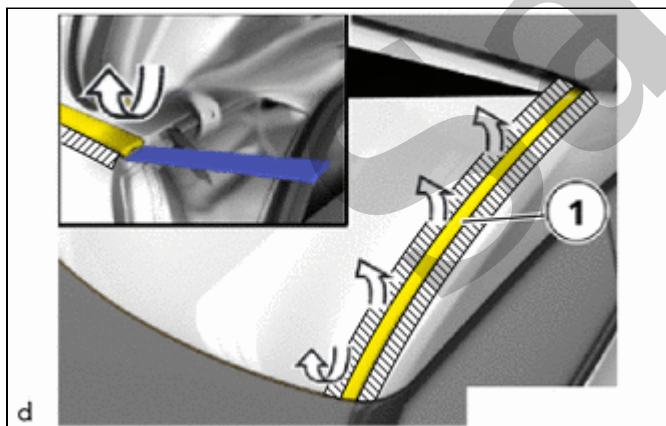
PROCEDURE

1. REMOVE ROOF DRIP SIDE FINISH MOULDING

(a) Disengage the clip (1) to disconnect the back door seal (2).



(b) Apply protective tape as shown in the illustration.



(c) Using a moulding remover A, disengage the claws to remove the roof drip side finish moulding (1).

NOTICE:

- Tools and sharp-edged components can cause scratches.
 - Protect working area.
 - Handle tools and components carefully.