

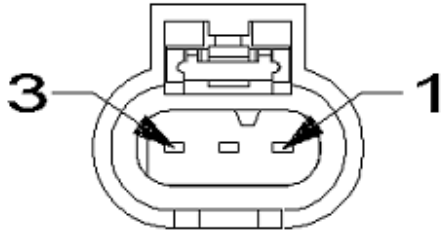
Your Ultimate Source for OEM Repair Manuals

FactoryManuals.net is a great resource for anyone who wants to save money on repairs by doing their own work. The manuals provide detailed instructions and diagrams that make it easy to understand how to fix a vehicle.

2024 Jeep Gladiator Service and Repair Manual

[Go to manual page](#)

Connector Views

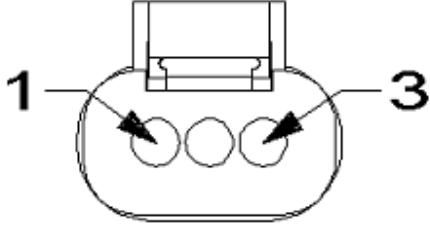


Isometric View:



Wire Insertion Side:

Connector Views



Pin	Circuit	Circuit Function	Color	Gauge/Size	Option
FASCIA_FRONT					
1	X702	POWER SUPPLY	GY	0.50	
2	D706	SIGNAL 3	WH	0.50	
3	X751	SENSOR GROUND	GY	0.50	

YOUR CURRENT VEHICLE

Sensor-Park Assist 5

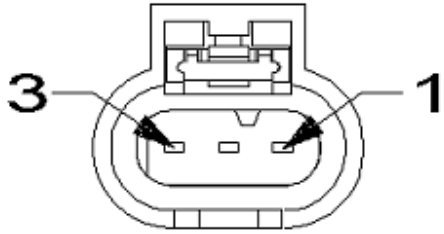
SENSOR-PARK ASSIST 5

SENSOR No:D1591A		Option:Standard
Connector Details		Harness Family
Color	BLACK	
Part Number	805-121-592	FASCIA_FRONT
Repair Kit Part Number	68510660AA	FASCIA_FRONT
Part Description		FASCIA_FRONT
Cavity Count	3	FASCIA_FRONT
Location View	Location View	FASCIA_FRONT

Connector Views

Mating Side:

Connector Views

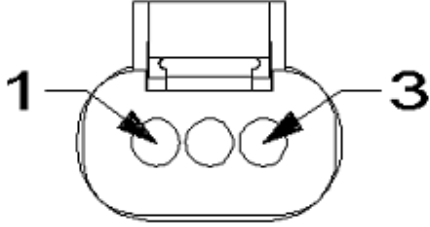


Isometric View:



Wire Insertion Side:

Connector Views



Pin	Circuit	Circuit Function	Color	Gauge/Size	Option
FASCIA_REAR					
1	X700	POWER SUPPLY	GY	0.50	
2	D700	SIGNAL 7	WH	0.50	
3	X750	SENSOR GROUND	GY	0.50	

YOUR CURRENT VEHICLE

Sensor-Park Assist 9

SENSOR-PARK ASSIST 9

SENSOR No:D1595A		Option:Standard
Connector Details		Harness Family
Color	BLACK	
Part Number	805-121-592	FASCIA_REAR
Repair Kit Part Number	68510660AA	FASCIA_REAR
Part Description		FASCIA_REAR
Cavity Count	3	FASCIA_REAR
Location View	Location View	FASCIA_REAR

Connector Views

Mating Side:

YOUR CURRENT VEHICLE

Sensor-Seat Track Position-Passenger

SENSOR-SEAT TRACK POSITION-PASSENGER

SENSOR No:D3175A		Option:Standard
Connector Details		Harness Family
Color	GRAY	
Part Number	1438426-3	SEAT_CUSHION_PASSENGER
Repair Kit Part Number	68057307AA	SEAT_CUSHION_PASSENGER
Part Description	CONNECTOR ASSEMBLY	SEAT_CUSHION_PASSENGER
Cavity Count	2	SEAT_CUSHION_PASSENGER
Location View	Location View	SEAT_CUSHION_PASSENGER

Pin	Circuit	Circuit Function	Color	Gauge/Size	Option
SEAT_CUSHION_PASSENGER					
1	R729	SENSOR RETURN	GN	0.35	
2	R264	5 VOLT SUPPLY	VT	0.35	

SENSOR-SIDE IMPACT PRESSURE-LEFT

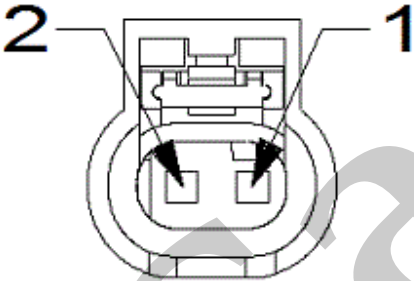
SENSOR No:D1548A		Option:RHD 1ST DESIGN
Connector Details		Harness Family
Color	BLACK	
Part Number	E-4995	DOOR_PASSENGER
Repair Kit Part Number		DOOR_PASSENGER
Part Description	CONNECTOR ASSEMBLY WITH CPA	DOOR_PASSENGER
Cavity Count	2	DOOR_PASSENGER

Pin	Cicuit	Cicuit Function	Color	Gauge/Size	Option
DOOR_PASSENGER					
2	R150	SENSOR GROUND	GN	0.50	

SENSOR-SIDE IMPACT PRESSURE-LEFT

SENSOR No:D1548A		Option:RHD 2ND DESIGN
Connector Details		Harness Family
Color	BLACK	
Part Number	805-120-531	DOOR_PASSENGER
Repair Kit Part Number	68475547AA	DOOR_PASSENGER
Part Description		DOOR_PASSENGER
Cavity Count	2	DOOR_PASSENGER

SENSOR No:D1547A		Option:RHD 2ND DESIGN
Connector Details		Harness Family
Part Number	805-120-531	DOOR_DRIVER
Repair Kit Part Number	68475547AA	DOOR_DRIVER
Part Description		DOOR_DRIVER
Cavity Count	2	DOOR_DRIVER

Connector Views
<p>Mating Side:</p> 
<p>Isometric View:</p>