

Your Ultimate Source for OEM Repair Manuals

FactoryManuals.net is a great resource for anyone who wants to save money on repairs by doing their own work. The manuals provide detailed instructions and diagrams that make it easy to understand how to fix a vehicle.

Manual Ford Bronco 2024 - Complete Service & Repair

[Go to manual page](#)

Refer to: [Charge Air Cooler \(CAC\) Intake Pipe](#)(303-12D Intake Air Distribution and Filtering - 3.5L V6 PowerBoost (CN), Removal and Installation).

20. Install the right fender splash shield.

Refer to: [Fender Splash Shield](#)(501-02 Front End Body Panels, Removal and Installation).

21. Install the engine rear undershield.

Refer to: [Engine Rear Undershield](#)(501-02 Front End Body Panels, Removal and Installation).

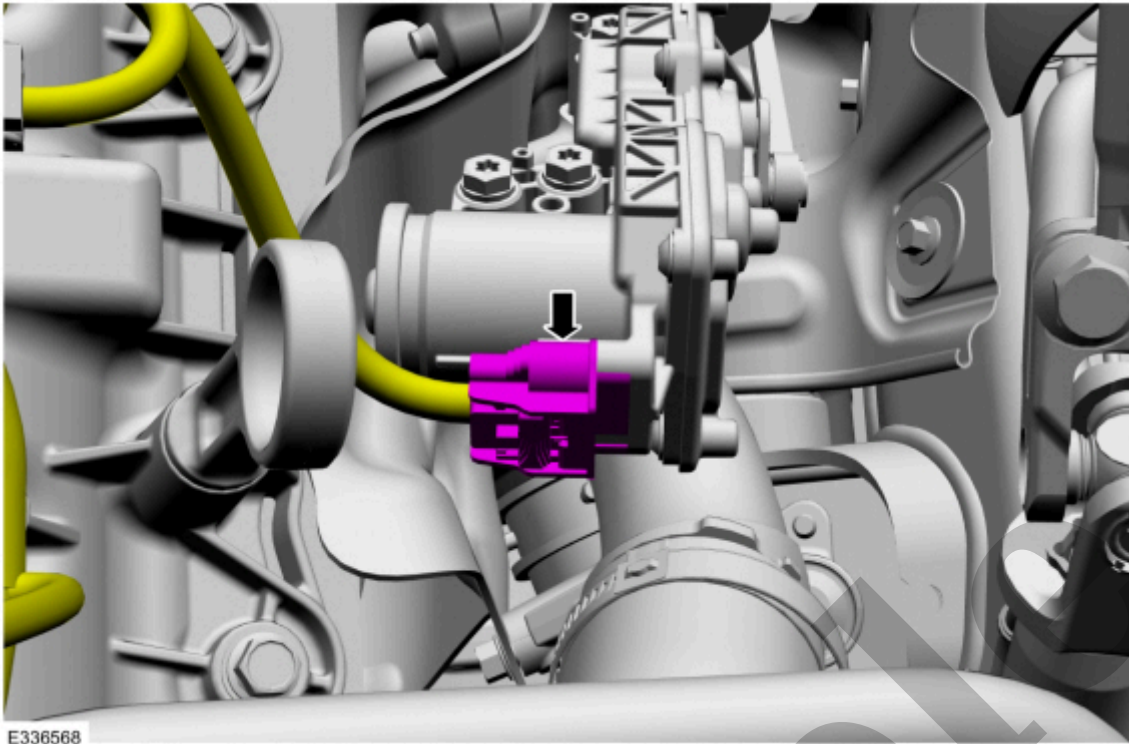
22. Fill the cooling system.

Refer to: [Engine Cooling System Draining, Vacuum Filling and Bleeding](#)(303-03D Engine Cooling - 3.5L V6 PowerBoost (CN), General Procedures).

23. If a new turbocharger was installed, road test the vehicle.

Copyright © Ford Motor Company

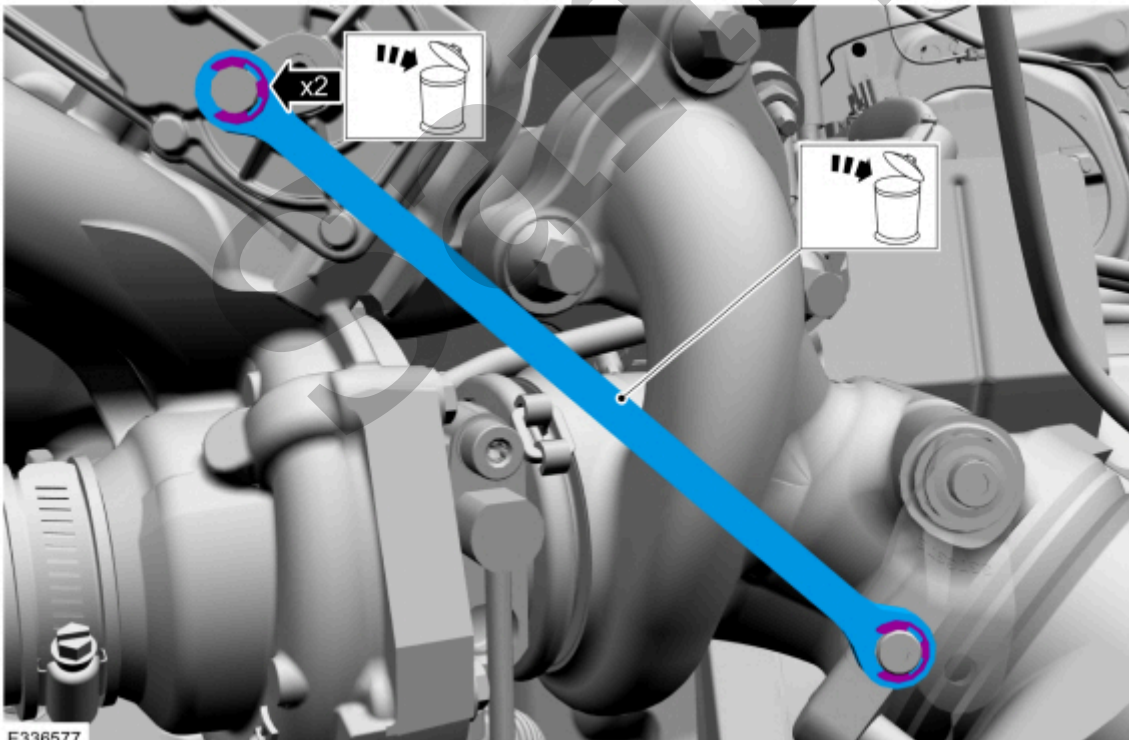
Sample



E336568

[Click here to learn about symbols, color coding, and icons used in this manual.](#)

4. Remove and discard the wastegate control actuator linkage e-clips, then remove and discard the linkage.



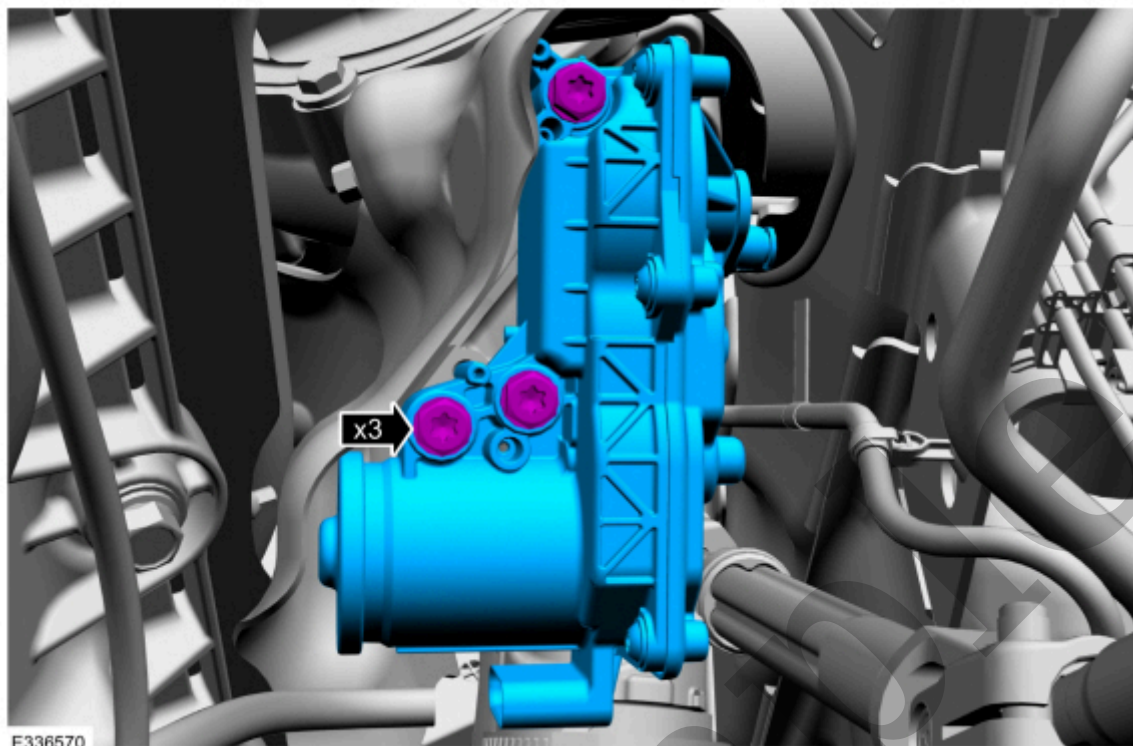
E336577

[Click here to learn about symbols, color coding, and icons used in this manual.](#)

5. Remove and discard the wastegate control actuator linkage wave washers.

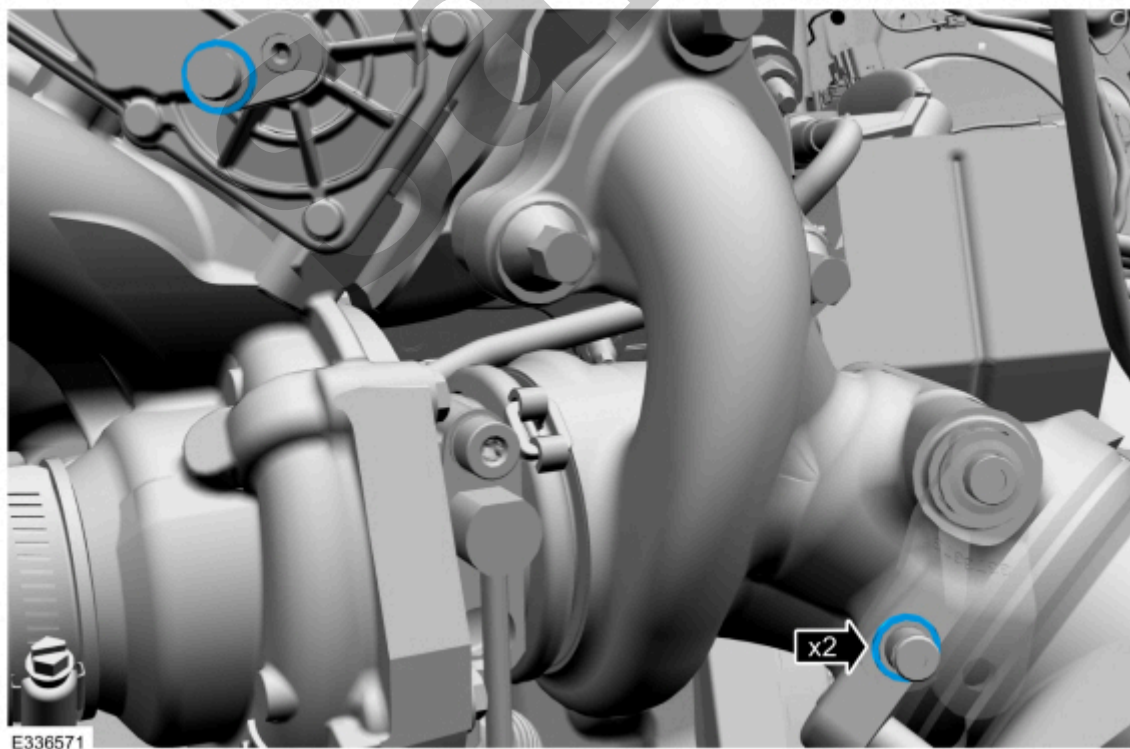
1. Install the wastegate control actuator, then install and tighten the new bolts.

Torque : 62 lb.in (7 Nm)



[Click here to learn about symbols, color coding, and icons used in this manual.](#)

2. Install the wastegate control actuator linkage wave washers.



[Click here to learn about symbols, color coding, and icons used in this manual.](#)

5. **NOTICE**

Substantial opening and closing torque is applied by this system. To prevent injury, be careful to keep fingers away from wastegate mechanism when actuated. Failure to follow these instructions may result in personal injury.

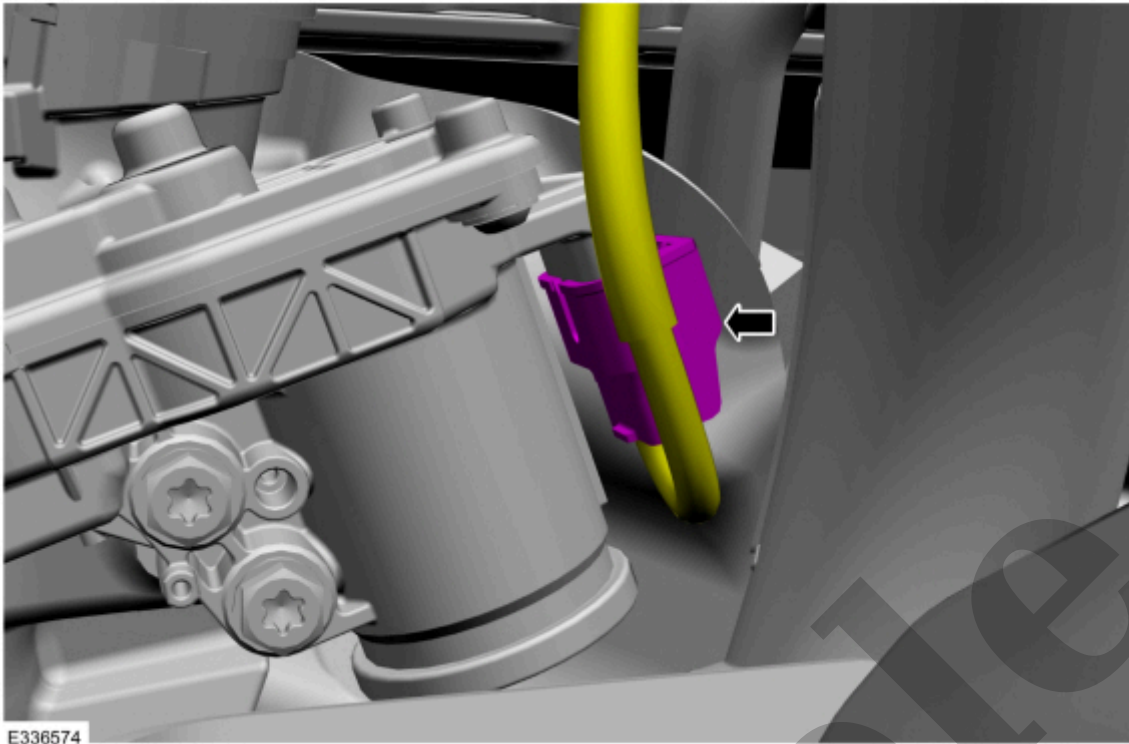
- With the KOEO (key on, engine off) , using a diagnostic scan tool, clear the PCM (powertrain control module) DTC's and reset the KAM (keep alive memory) .

6. Install the left front fender splash shield.

Refer to: [Fender Splash Shield](#)(501-02 Front End Body Panels, Removal and Installation).

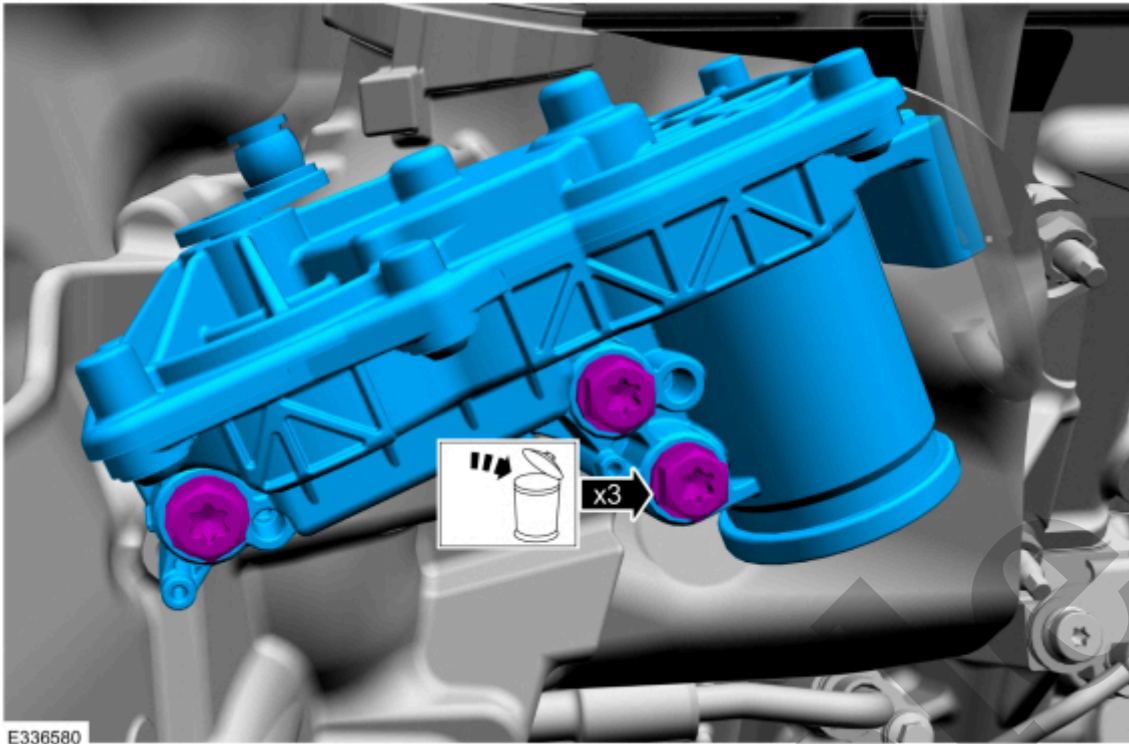
Copyright © Ford Motor Company

Sample



[Click here to learn about symbols, color coding, and icons used in this manual.](#)

4.
 - Note the correct orientation of the wastegate control actuator linkage, the long section of the linkage goes towards the actuator, and the curve to the outside away from the engine, to insure the correct installation.
 - Remove and discard the wastegate control actuator linkage e-clips, then remove and discard the linkage.

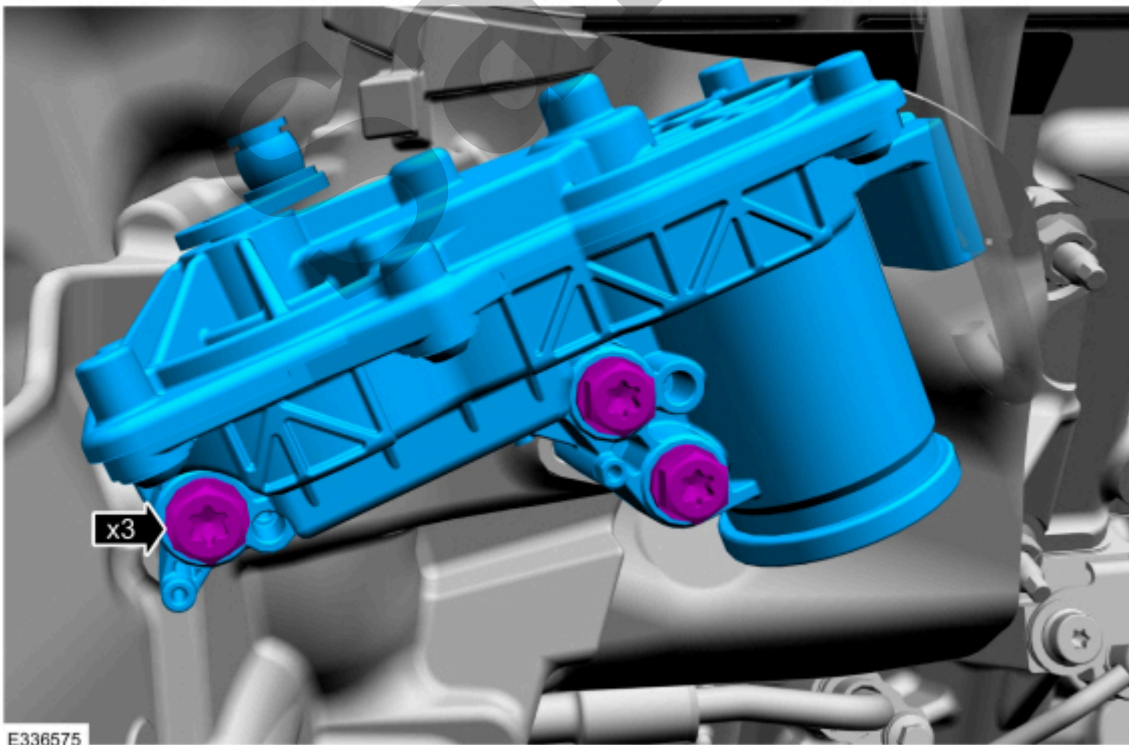


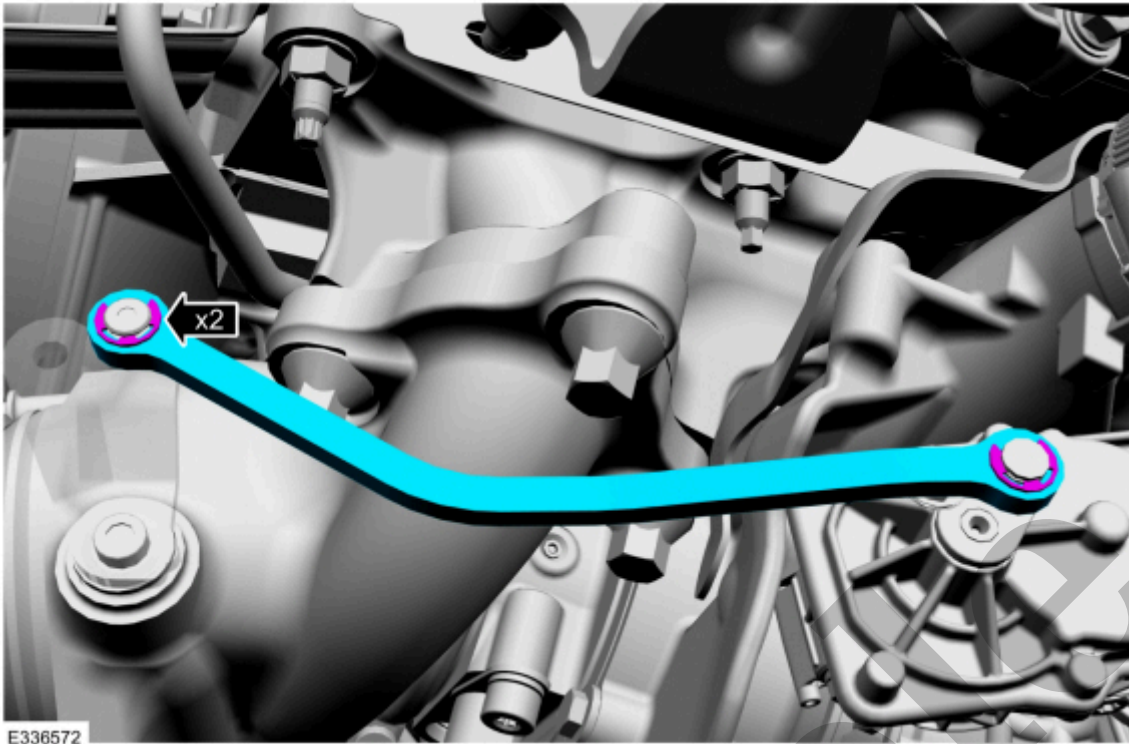
[Click here to learn about symbols, color coding, and icons used in this manual.](#)

Installation

1. Install the wastegate control actuator, then install and tighten the new bolts.

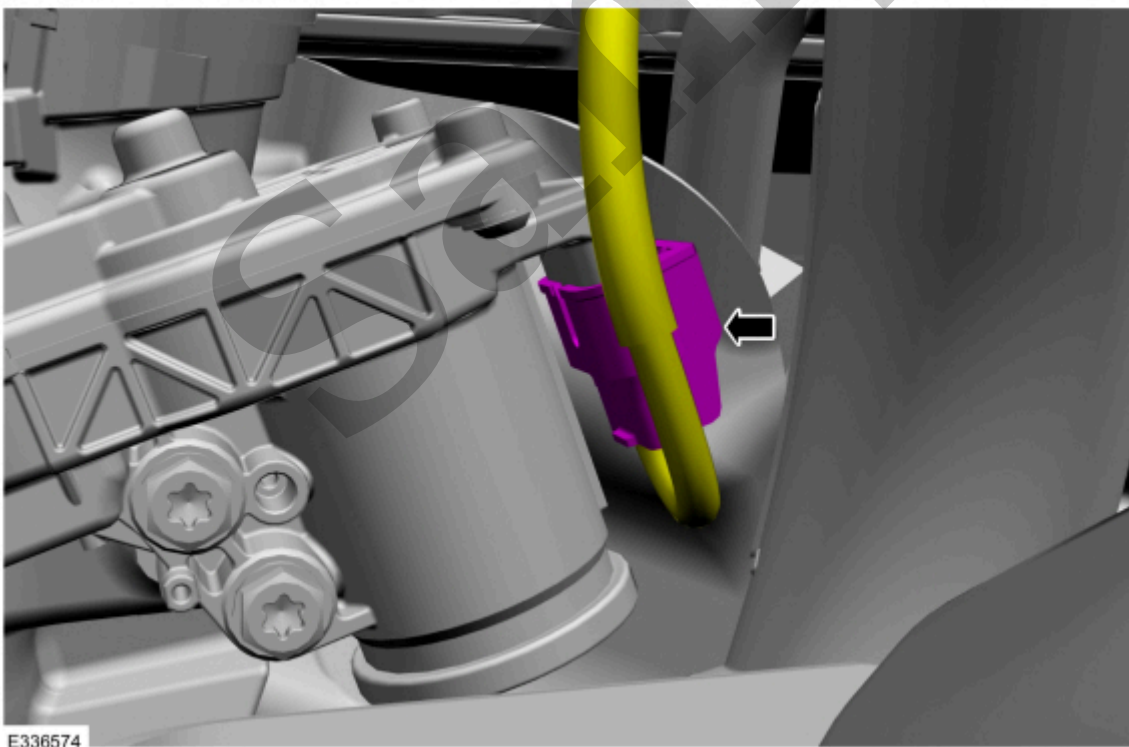
Torque : 62 lb.in (7 Nm)





[Click here to learn about symbols, color coding, and icons used in this manual.](#)

4. Connect the wastegate control actuator electrical connector.



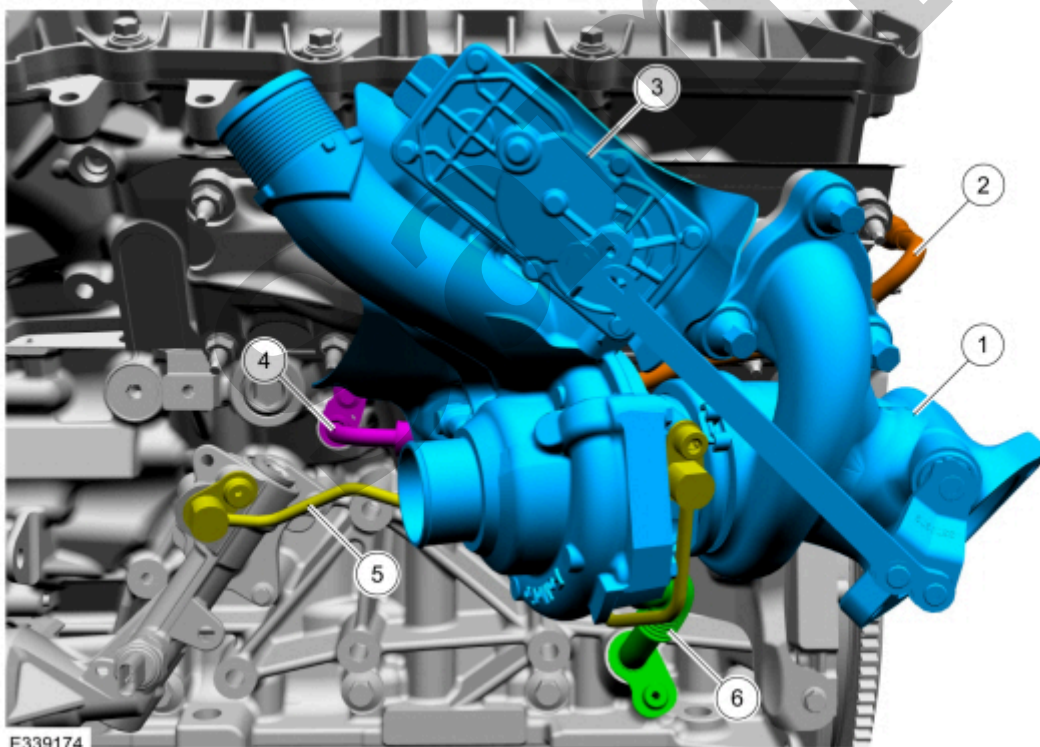
[Click here to learn about symbols, color coding, and icons used in this manual.](#)

Turbocharger - Component Location

303-04H Fuel Charging and Controls - Turbocharger - 3.5L V6 PowerBoost (CN)	2022 F-150
Description and Operation	Procedure revision date: 09/16/2020

Turbocharger - Component Location

Turbocharger 3.5L EcoBoost/PowerBoost LH



E339174

Item	Description
1	Turbocharger LH

Sample