

Your Ultimate Source for OEM Repair Manuals

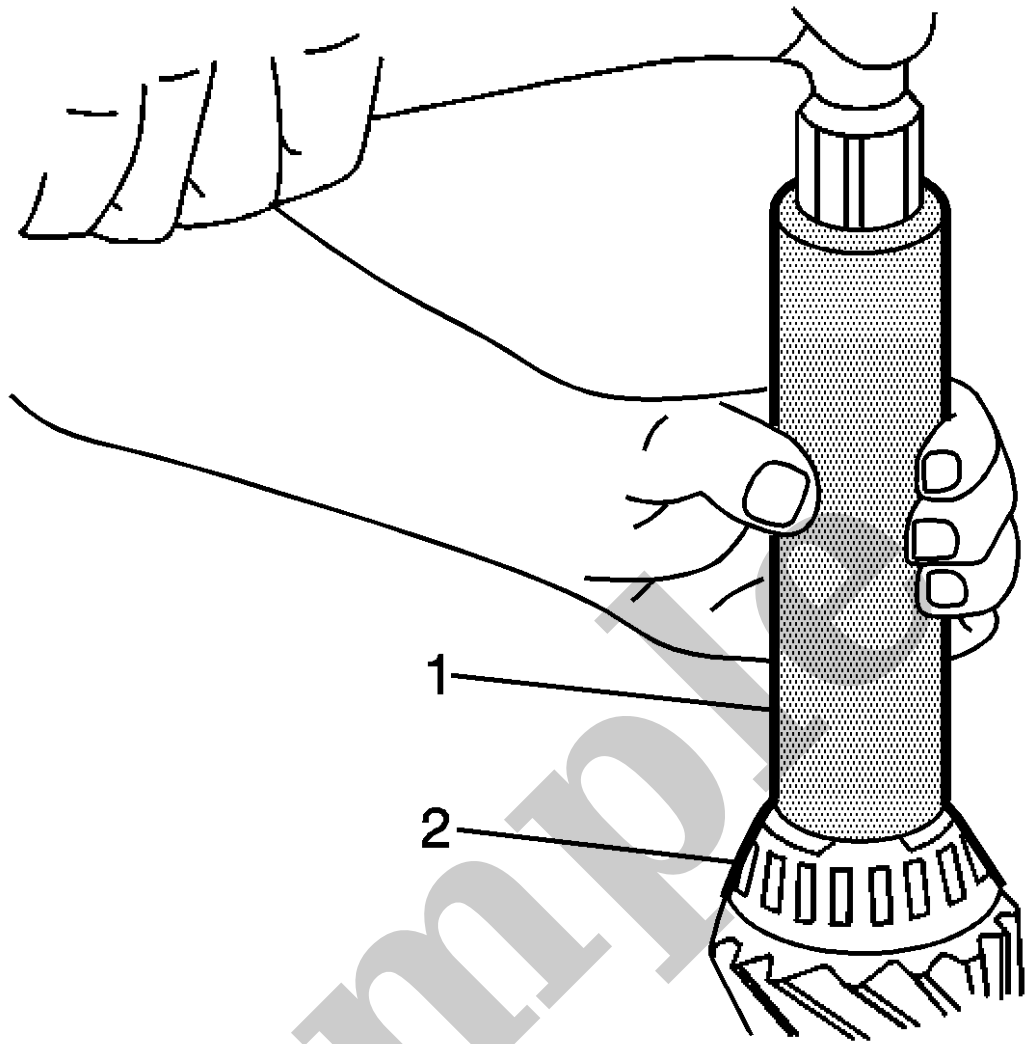
FactoryManuals.net is a great resource for anyone who wants to save money on repairs by doing their own work. The manuals provide detailed instructions and diagrams that make it easy to understand how to fix a vehicle.

2024 Chevrolet Silverado 1500 - 4WD Service and Repair Manual

[Go to manual page](#)

Parameter	Expected Value	Definition
Software Module 7 Identifier	Varies	The Scantool displays the software module ID 7.
Software Module 8 Identifier	Varies	The Scantool displays the software module ID 8.
Software Module 9 Identifier	Varies	The Scantool displays the software module ID 9.
Software Module 10 Identifier	Varies	The Scantool displays the software module ID 10.
Software Module 11 Identifier	Varies	The Scantool displays the software module ID 11.
Software Module 15 Identifier	Varies	The Scantool displays the software module ID 15.
Software Module Identifier 11 Alpha Coder	Varies	The Scantool displays a two character software identifier.
Software Module Identifier 12 Alpha Coder	Varies	The Scantool displays a two character software identifier.
Software Module Identifier 14 Alpha Coder	Varies	The Scantool displays a two character software identifier.
Software Freeze Date	Varies	The Scantool displays the software date in DD.MM.YYYY format.
End Model Part Number	Varies	The Scantool displays the end model part number.
Base Model Part Number	Varies	The Scantool displays original GM 8 digit part number of hardware version.
Battery Voltage	Varies	The Scantool displays volts. This is the voltage at the input to the radio via high speed GMLAN.
System Power Mode	Run	The Scantool displays Off, Accessory, Run or Crank Request. This is the vehicle power mode status as received by the radio.
Local Calendar Date	Varies	The Scantool displays date provided by radio.

Parameter	System State	Expected Value	Description
	pressed		
Enhanced Defrost Indicator	Enhanced defrost mode is deactivated	Off	The scan tool displays On or Off depending on the state of the enhanced defrost mode.
	Enhanced defrost mode is activated	On	
Floor Mode Button/Switch	Floor mode switch released	Inactive	The scan tool displays Active or Inactive depending on the state of the switch.
	Floor mode switch pressed	Active	
Floor Mode Indicator	Floor mode Not selected	Off	The scan tool displays On or Off depending on the state of the indicator command.
	Floor mode selected	On	
Fresh Air Button/Switch	Fresh air switch released	Inactive	The scan tool displays Active or Inactive depending on the state of the switch.
	Fresh air switch pressed	Active	
Fresh Air Indicator	Fresh air not selected	Off	The scan tool displays On or Off depending on the state of the indicator command.
	Fresh air selected	On	

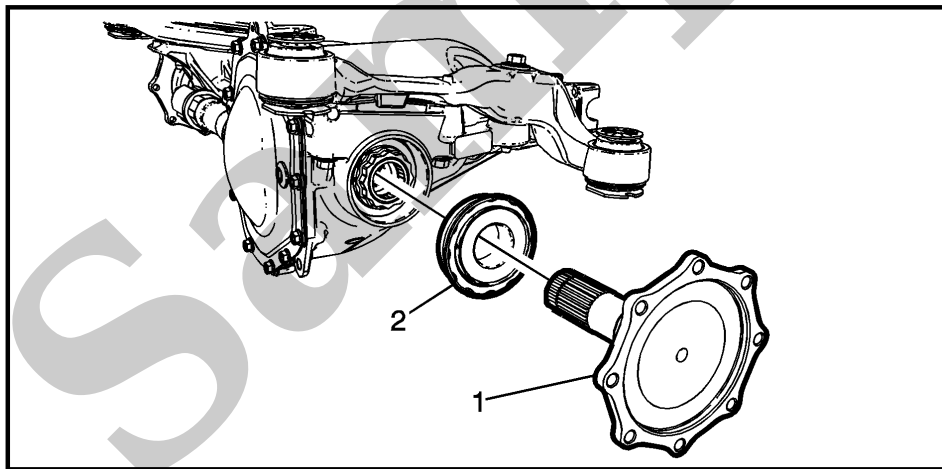
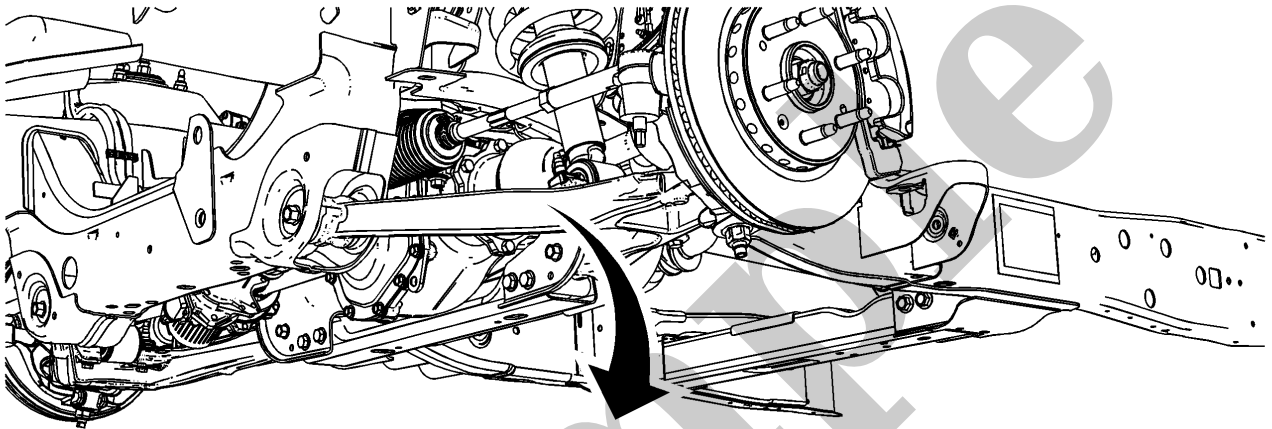


2. Using the **J-35512 inner pinion bearing installer** , install the inner pinion bearing onto the pinion gear.
3. Install the new collapsible spacer onto the pinion gear.
4. Lubricate the inner and the outer pinion bearings with axle lubricant. Use the proper fluid. Refer to [Fluid and Lubricant Recommendations](#).
5. Install the outer pinion bearing into the differential carrier case half.
6. Install the differential carrier case half into a vise. Place a shop towel in a vise in order to protect the differential case.
7. Before assembly, lubricate the following parts with axle lubricant. Use the proper fluid. Refer to [Adhesives, Fluids, Lubricants, and Sealers](#).
 - The pinion bearings

YOUR CURRENT VEHICLE

Front Drive Axle Inner Shaft Seal Replacement - Left Side

Front Drive Axle Inner Shaft Seal Replacement - Left Side (9.25 Inch Axle)



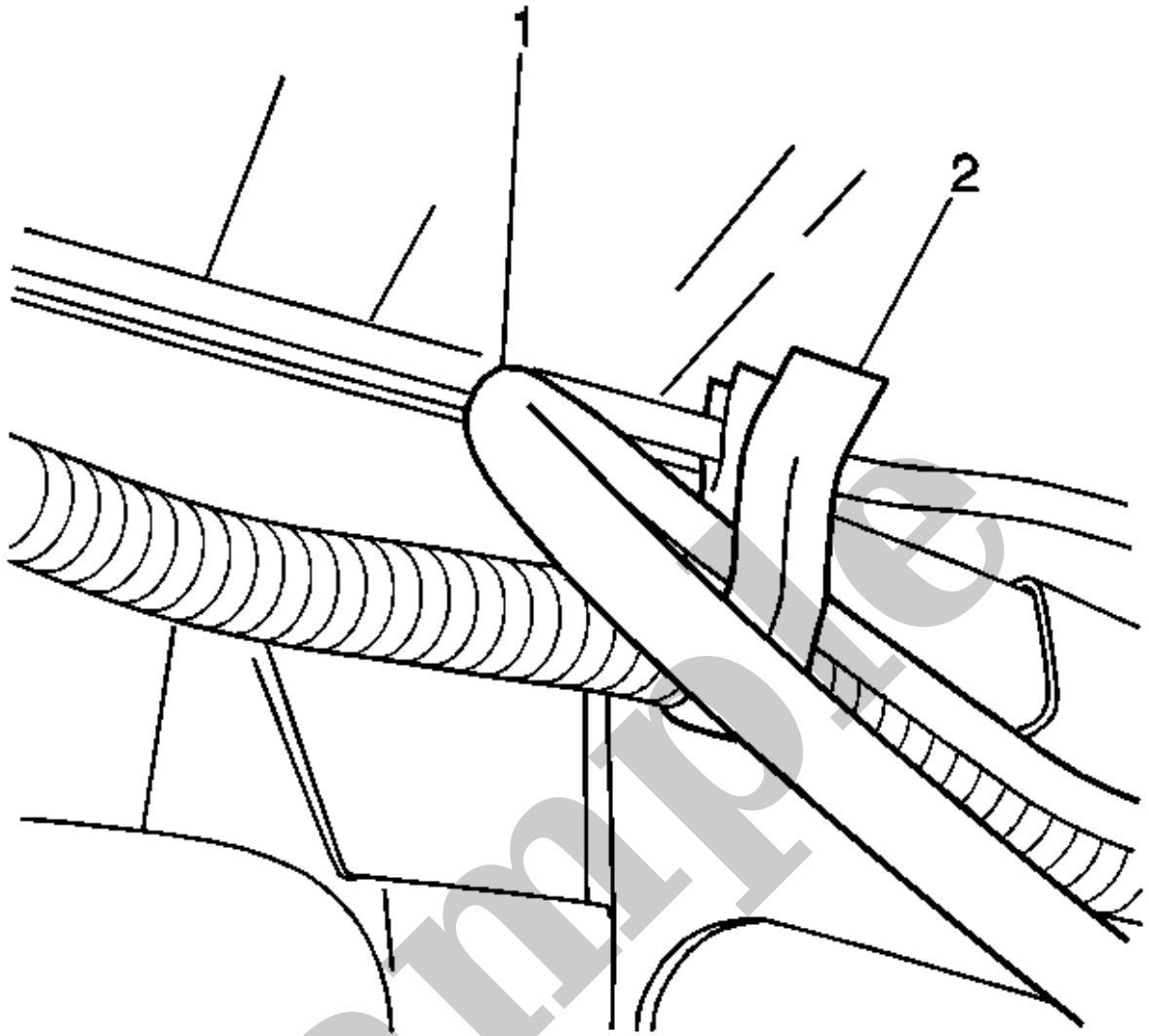
Front Drive Axle Inner Shaft Seal Replacement - Left Side

Callout	Component Name
Preliminary Procedures	
1. Raise and support the vehicle. Refer to Lifting and Jacking the Vehicle .	
2. Remove the wheel drive shaft. Refer to Front Wheel Drive Shaft Replacement - Left Side .	
1	Front Drive Axle Inner Shaft



11. If the right side axle shaft end play is greater than **0.66 mm (0.026 in)** , then add the smallest available locking differential side gear shim under the right side differential side gear and clutch disc assembly. Refer to Left Side Gear Backlash Adjustment within [Locking Differential Adjustment](#).
12. Install the locking differential assembly. Refer to [Differential Replacement](#).
13. Install the rear axle shafts. Refer to [Rear Axle Shaft Replacement](#).
14. Recheck the rear axle shaft end play and record the values.
15. If the rear axle shaft end play is still greater than **0.66 mm (0.026 in)** , then add the next size larger available shim.
16. Repeat steps 7-14 until the rear axle shaft end play is equal to or lower than **0.66 mm (0.026 in)** for both axle shafts.

Sample



2.

Install the vent hose (1) in the clip (2) on the frame.

- **If AM or FM reception is poor.**

Refer to Circuit/System Testing

- **If reception is normal**

4. All OK.

Circuit/System Testing

1. Ignition OFF, disconnect the radio antenna coax cable from the A11 Radio and from the T23 Radio Antenna Amplifier.
2. Verify the antenna coax cable passes the coax cable component test. Refer to Component Testing.
 - **If the coax cable does not pass the test**
Replace the antenna coax cable
 - **If the coax cable passes the test**
3. Connect the antenna coax cable to the A11 Radio. Ignition ON, A11 Radio ON.
4. Test for 10V or above between the antenna coax cable center terminal and ground at the T23 Radio Antenna Amplifier connector.
 - **If less than 10V**
Replace the A11 Radio.
 - **If 10V or more.**
5. Test or replace the T23 Radio Antenna Amplifier.

Component Testing

CAUTION

Caution

Refer to [Test Probe Caution](#).

NOTE

Note

Before testing the coax cable, check the cable exterior for being pinched, cut, damaged, or having loose connections at the components, which can cause reception issues.

Repair Instructions

Perform the [Diagnostic Repair Verification](#) after completing the repair.

- [Video Display Replacement](#)
- [Video Auxiliary Display Replacement](#)
- [Control Module References](#) for media disc player replacement, programming, and setup.

Sample