

Your Ultimate Source for OEM Repair Manuals

FactoryManuals.net is a great resource for anyone who wants to save money on repairs by doing their own work. The manuals provide detailed instructions and diagrams that make it easy to understand how to fix a vehicle.

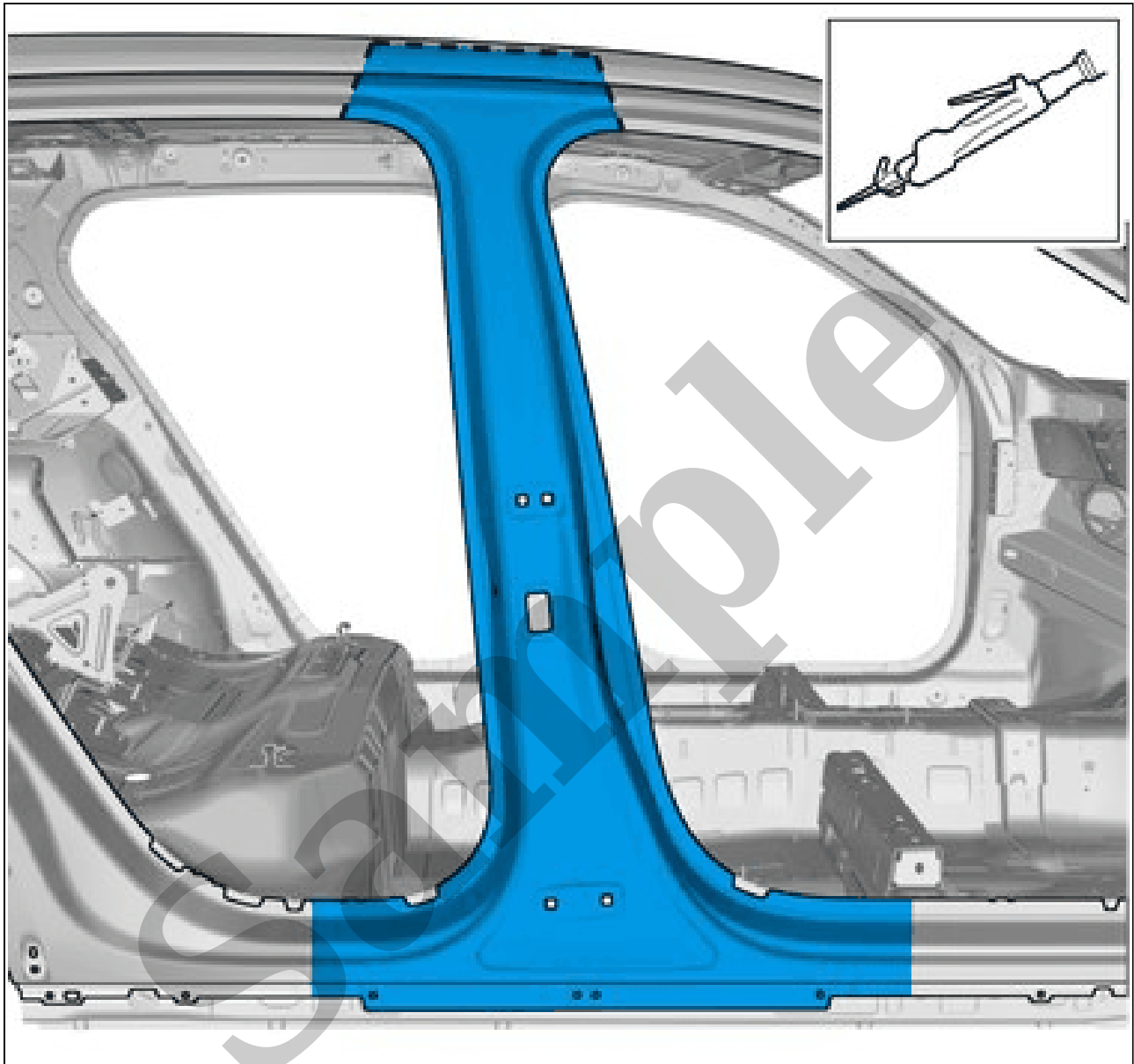
2023 Volvo XC90 Service and Repair Manual

[Go to manual page](#)

- Front seat FRONT SEAT
- Front safety belt retractor FRONT SAFETY BELT RETRACTOR

See information about body side BODY SIDE

Fig 1: Center Pillar Component Location



Courtesy of VOLVO CARS CORPORATION

HINT: Cutting is permitted within the areas indicated.

BODY PANEL REPLACEMENT > CENTER PILLAR > B-PILLAR [2018, 2019, 2020, 2021, 2022] > INSTALLATION



Use: Sealing compound, 1161767

To install, reverse the removal procedure.

See information about body sealant, sealing diagram BODY SEAL, SEALING DIAGRAM

See information about paint BODY REPAIR PAINT INFORMATION

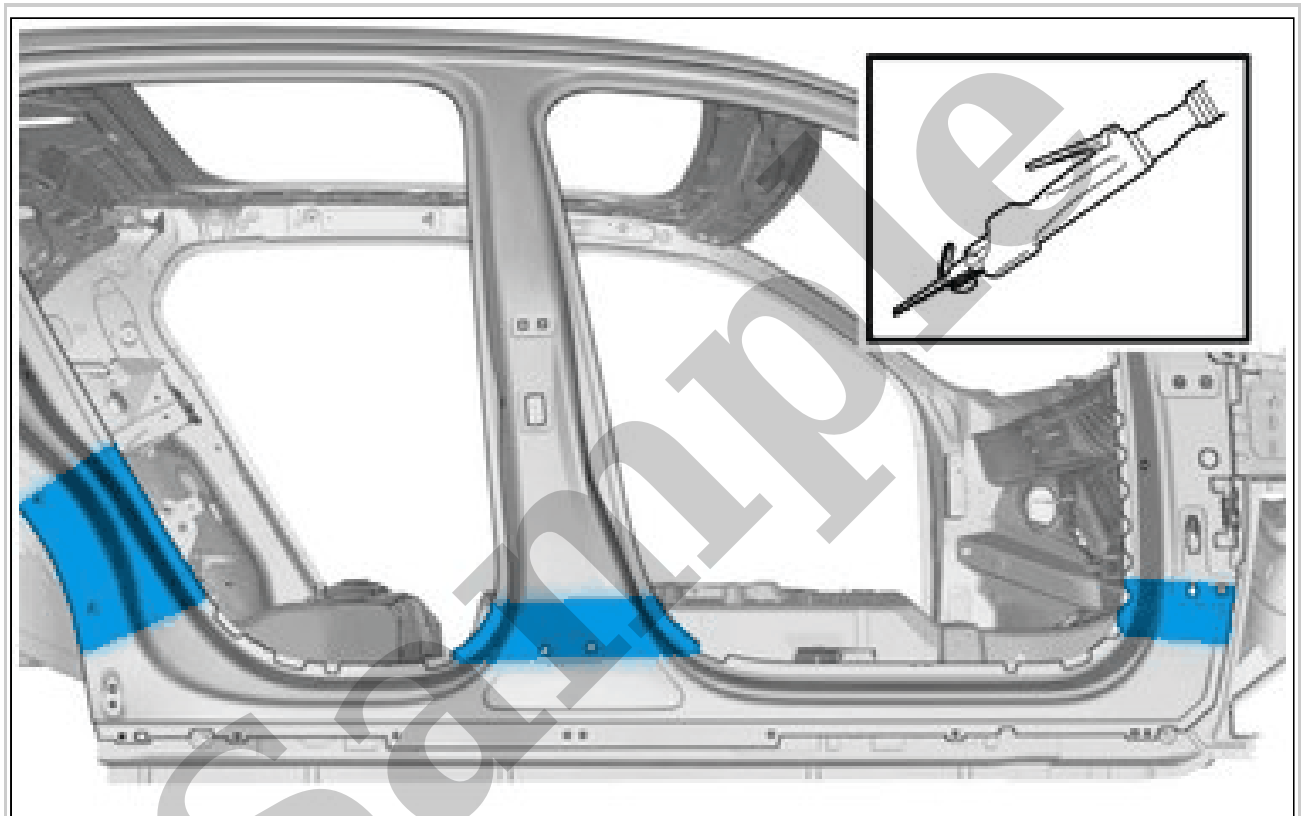
See information about corrosion protection RUSTPROOFING

BODY PANEL REPLACEMENT > BODY SILL REINFORCEMENT > BODY SILL REINFORCEMENT [2021, E400V6] > REMOVAL

See information on welding, general BODY REPAIR GENERAL WELDING

See information about body side BODY SIDE

Remove A-pillar FRONT PILLAR

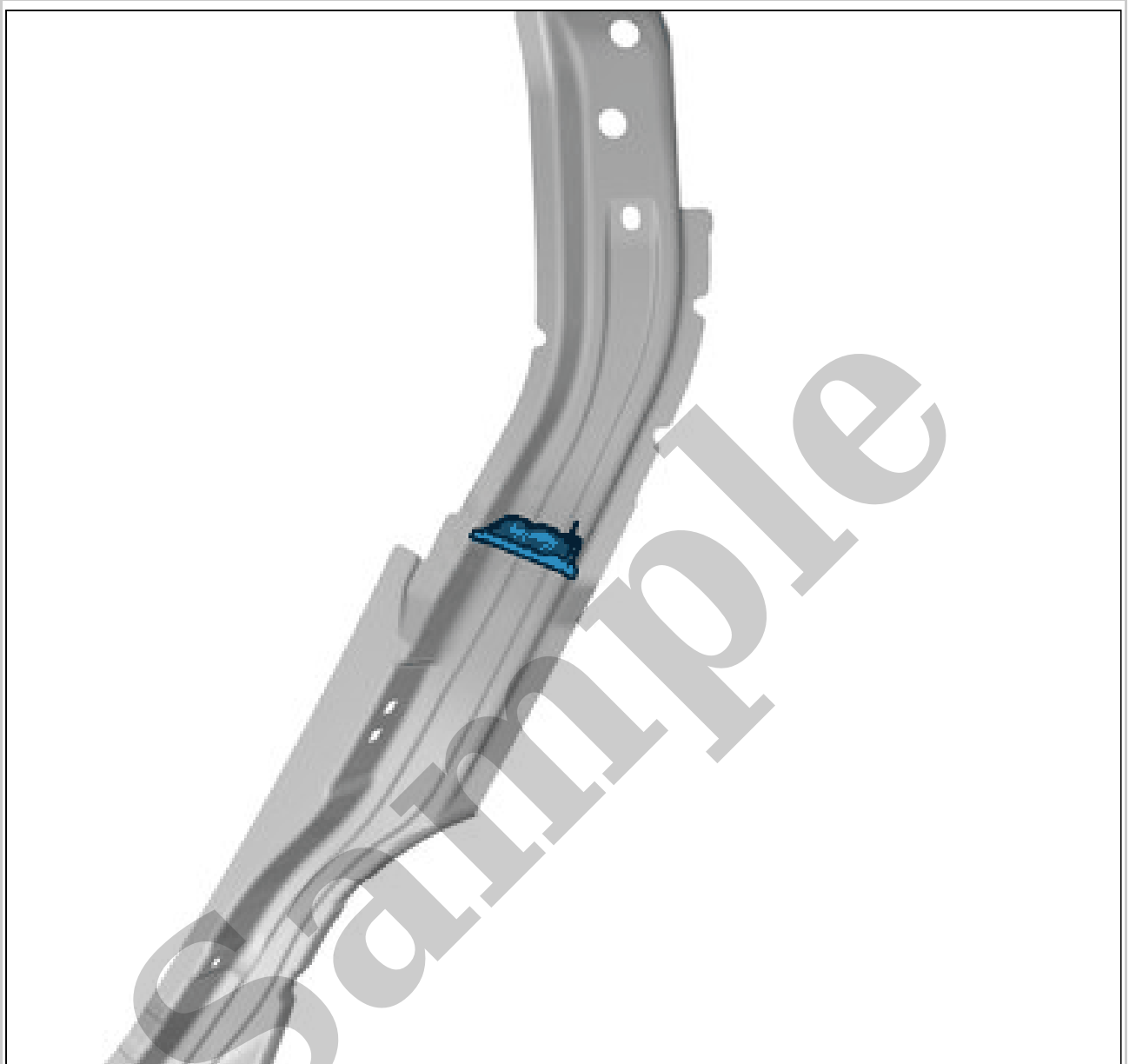


Courtesy of VOLVO CARS CORPORATION

HINT: Cutting is permitted within the areas indicated.

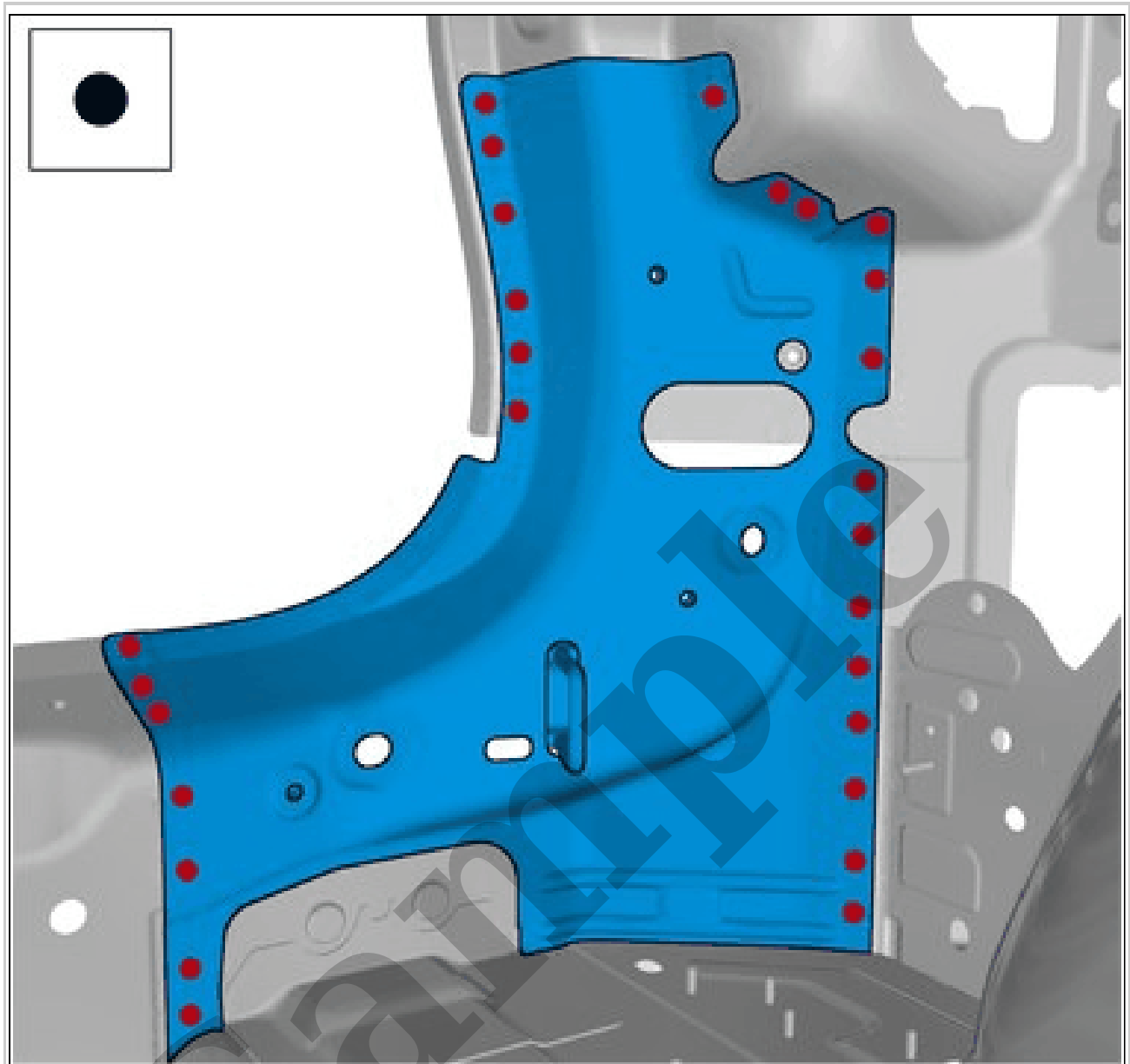
BODY PANEL REPLACEMENT > BODY SILL REINFORCEMENT > BODY SILL REINFORCEMENT [2021, E400V6] > INSTALLATION

BODY PANEL REPLACEMENT > C-PILLAR REINFORCEMENT > REINFORCEMENT C-PILLAR [2018, 2019, 2020, 2021, 2022] > INSTALLATION



Courtesy of VOLVO CARS CORPORATION

NOTE: *Use a new seal.*



Courtesy of VOLVO CARS CORPORATION

On both sides.

See information about body sealant, sealing diagram [BODY SEAL, SEALING DIAGRAM](#)

See information about paint [BODY REPAIR PAINT INFORMATION](#)

To install, reverse the removal procedure.

See information about corrosion protection [RUSTPROOFING](#)

Perform collision protection unit from behind front seat check [COLLISION PROTECTION UNIT FROM BEHIND FRONT SEAT CHECK](#)

BODY PANEL REPLACEMENT > REAR SECTION EXTERNAL > REAR SECTION EXTERNAL [2018, 2019, 2020, 2021, 2022] > REMOVAL

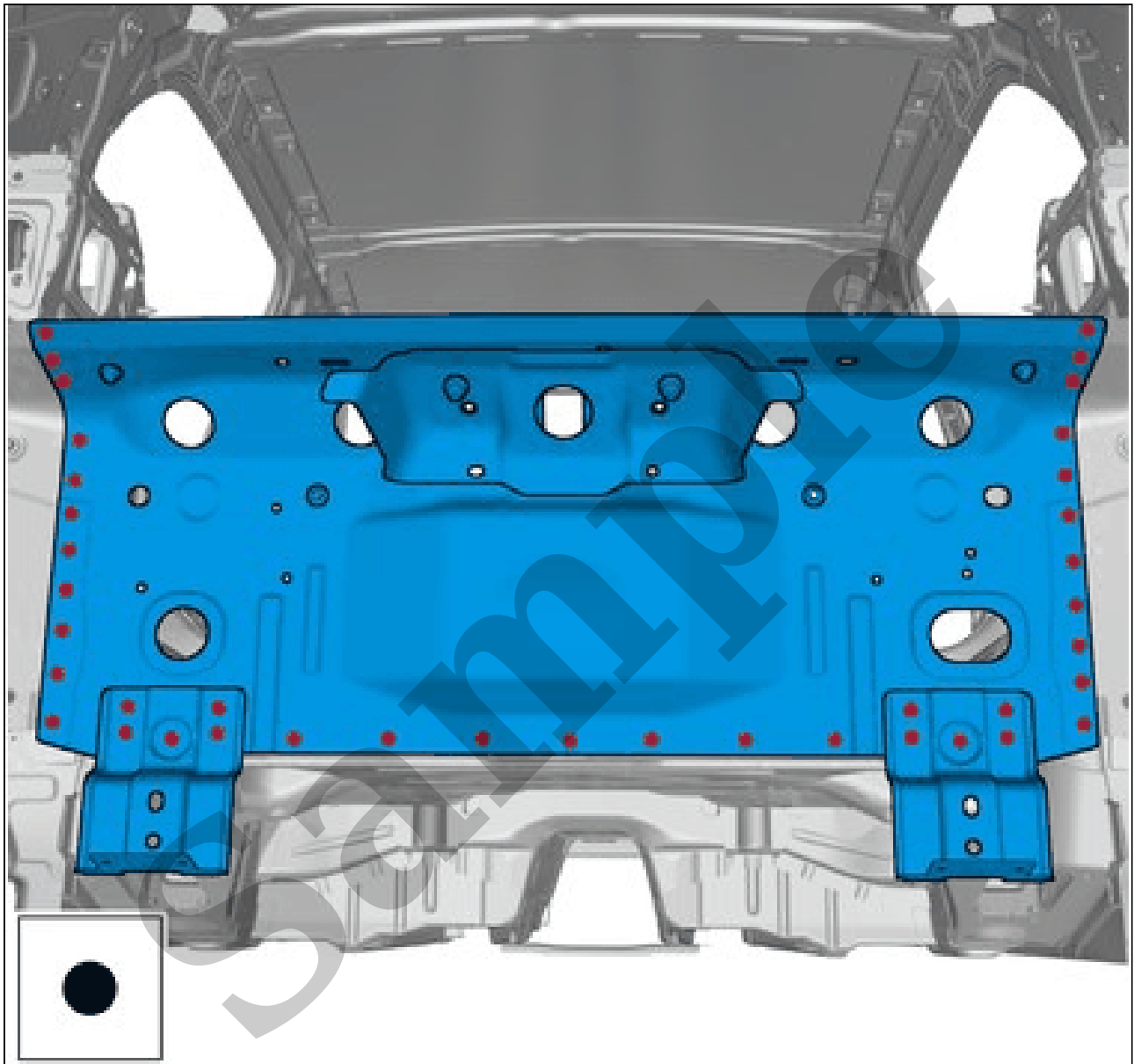
See information on welding, general [BODY REPAIR GENERAL WELDING](#)

Remove bumper rail rear [REAR BUMPER RAIL](#)

Remove the tail light [TAIL LAMP](#)

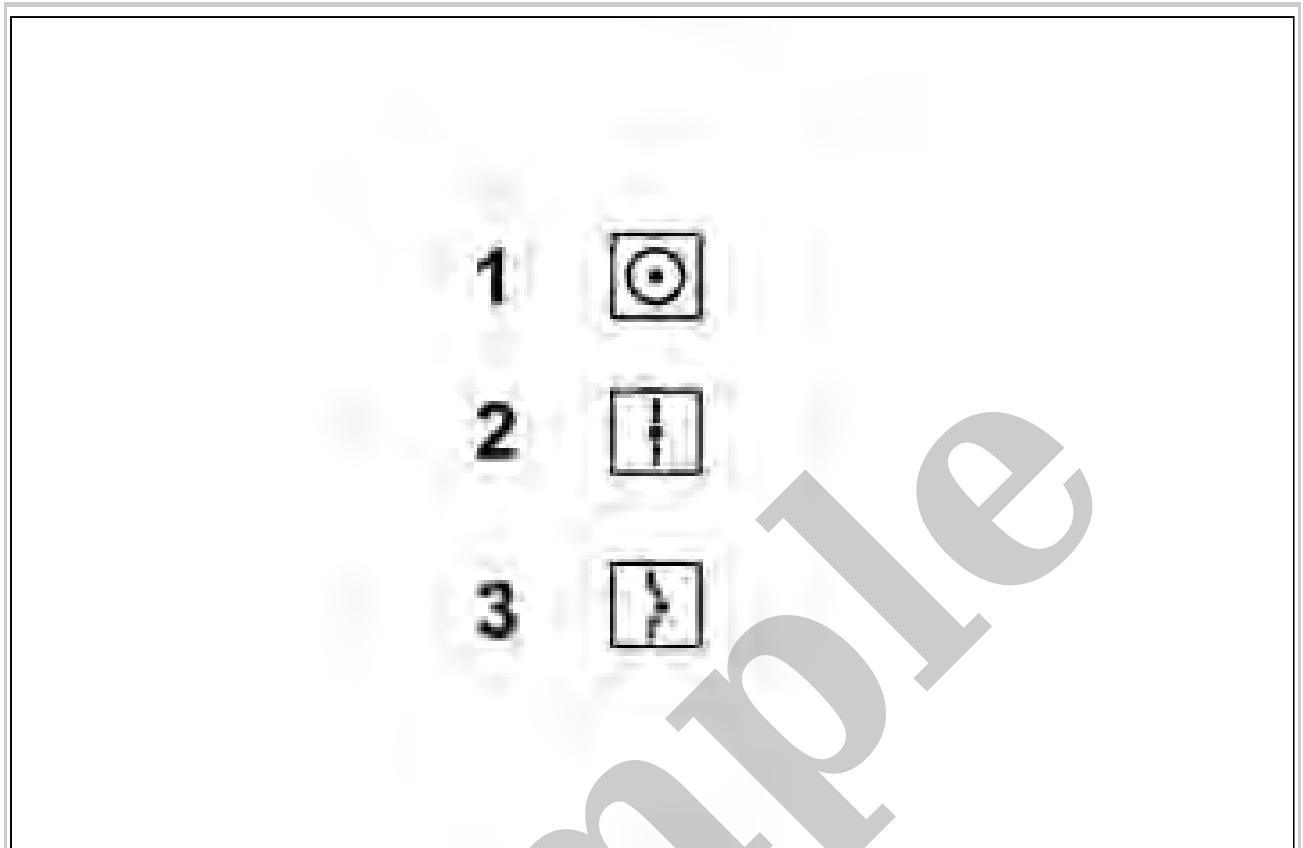
**BODY PANEL REPLACEMENT > INNER REAR SECTION > REAR SECTION INNER
[2018, 2019, 2020, 2021, 2022] > INSTALLATION**

Fig 1: Inner Rear Section Panel Component Location



Courtesy of VOLVO CARS CORPORATION

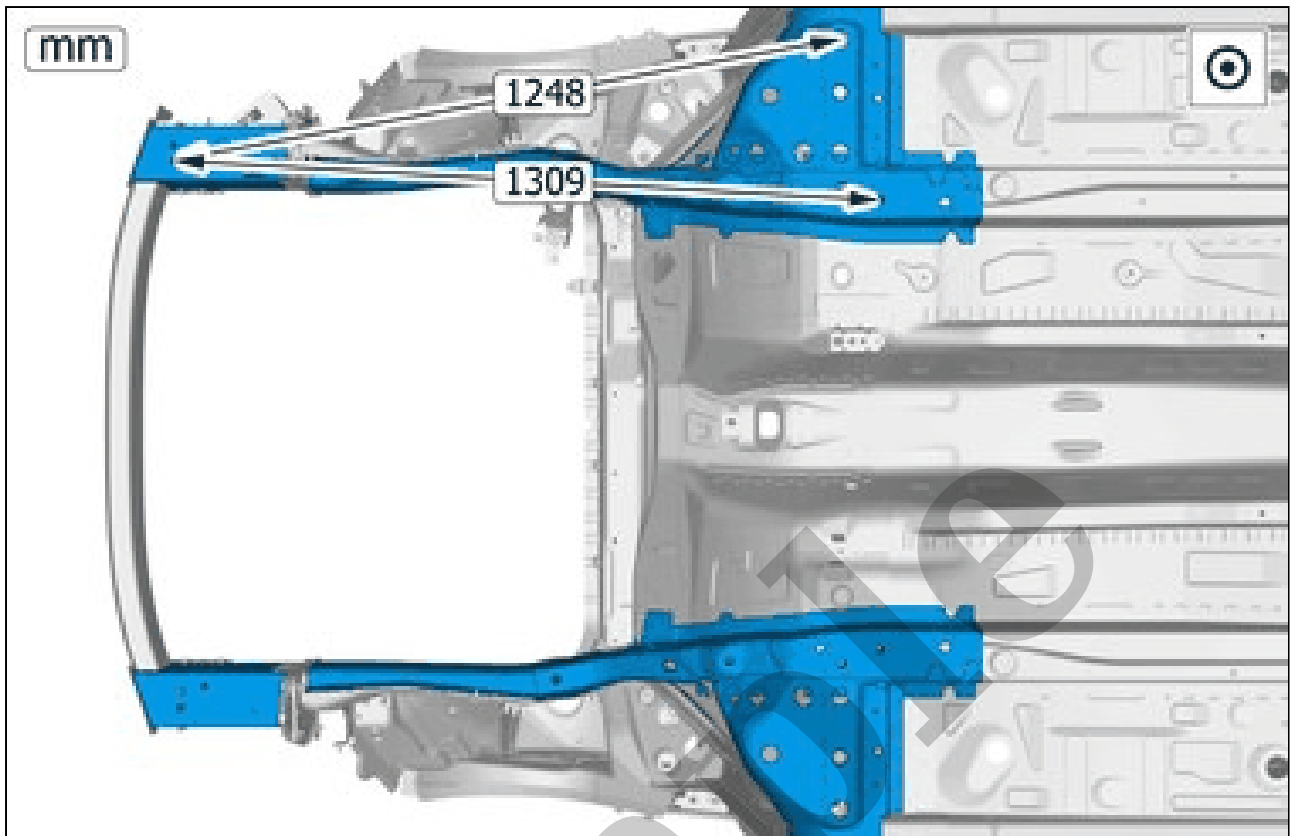
BODY DIMENSIONS > SIDE MEMBERS, FRONT DIMENSIONS > SIDE MEMBERS, FRONT [2018, 2019, 2020, 2021, 2022]



Courtesy of VOLVO CARS CORPORATION

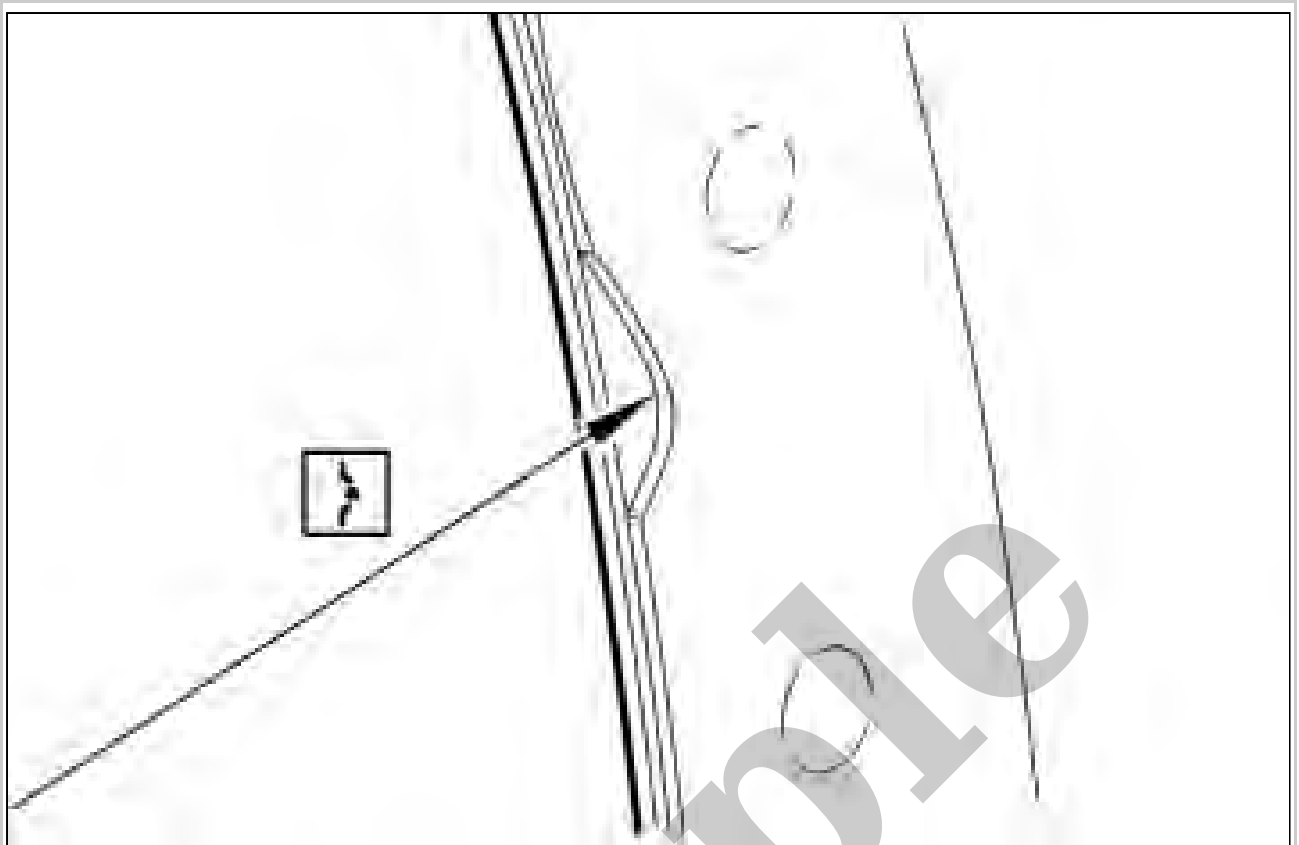
1. Measure from the center.
2. Measure from the edge.
3. Measure from the cut mark.

Fig 4: Engine Compartment Dimensions And Measurement Points (4 Of 4)



Courtesy of VOLVO CARS CORPORATION

BODY DIMENSIONS > ROOF DIMENSIONS > ROOF [2018, 2019, 2020, 2021, 2022]



Courtesy of VOLVO CARS CORPORATION

Measurement takes place from the bottom of the recess. See image. If only a measuring point symbol is shown this applies to both measuring points. Otherwise the symbols are shown on one side each of the measurement designation in the figure.