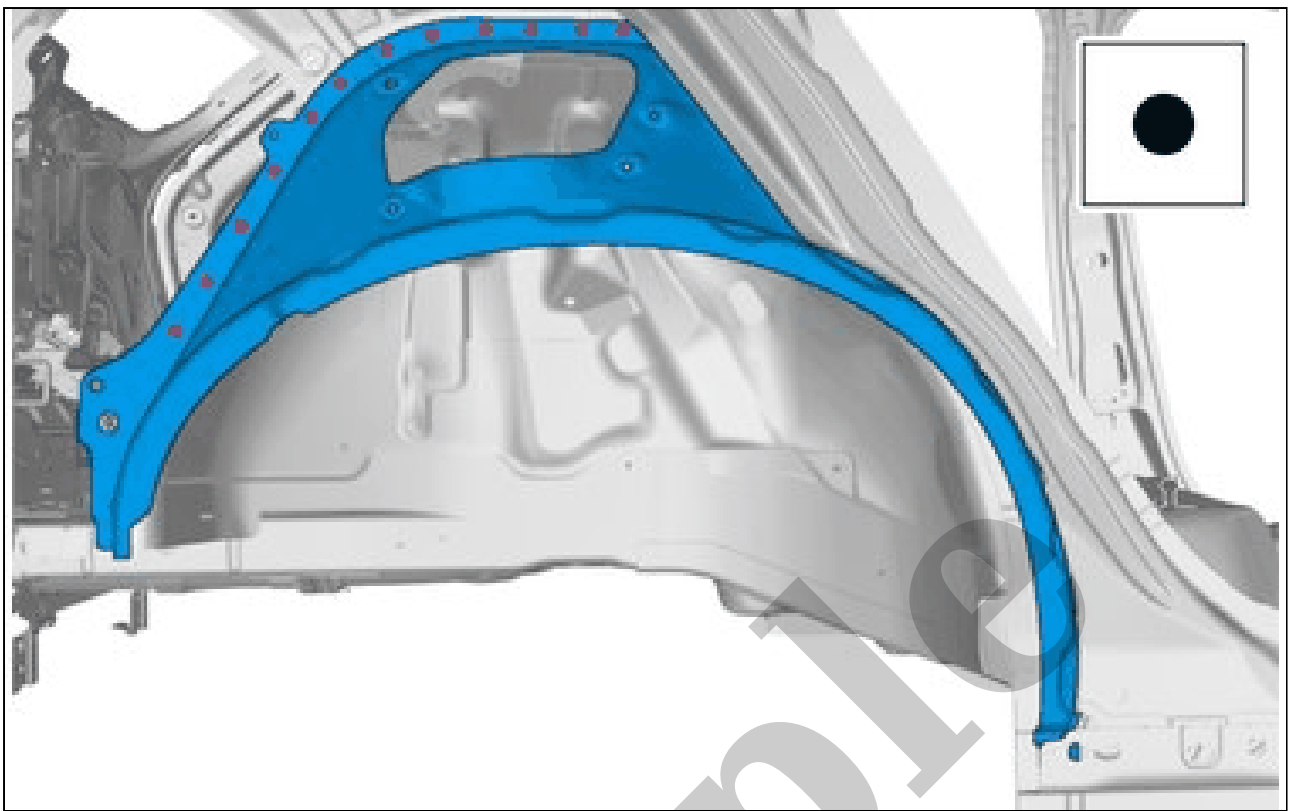


# Your Ultimate Source for OEM Repair Manuals

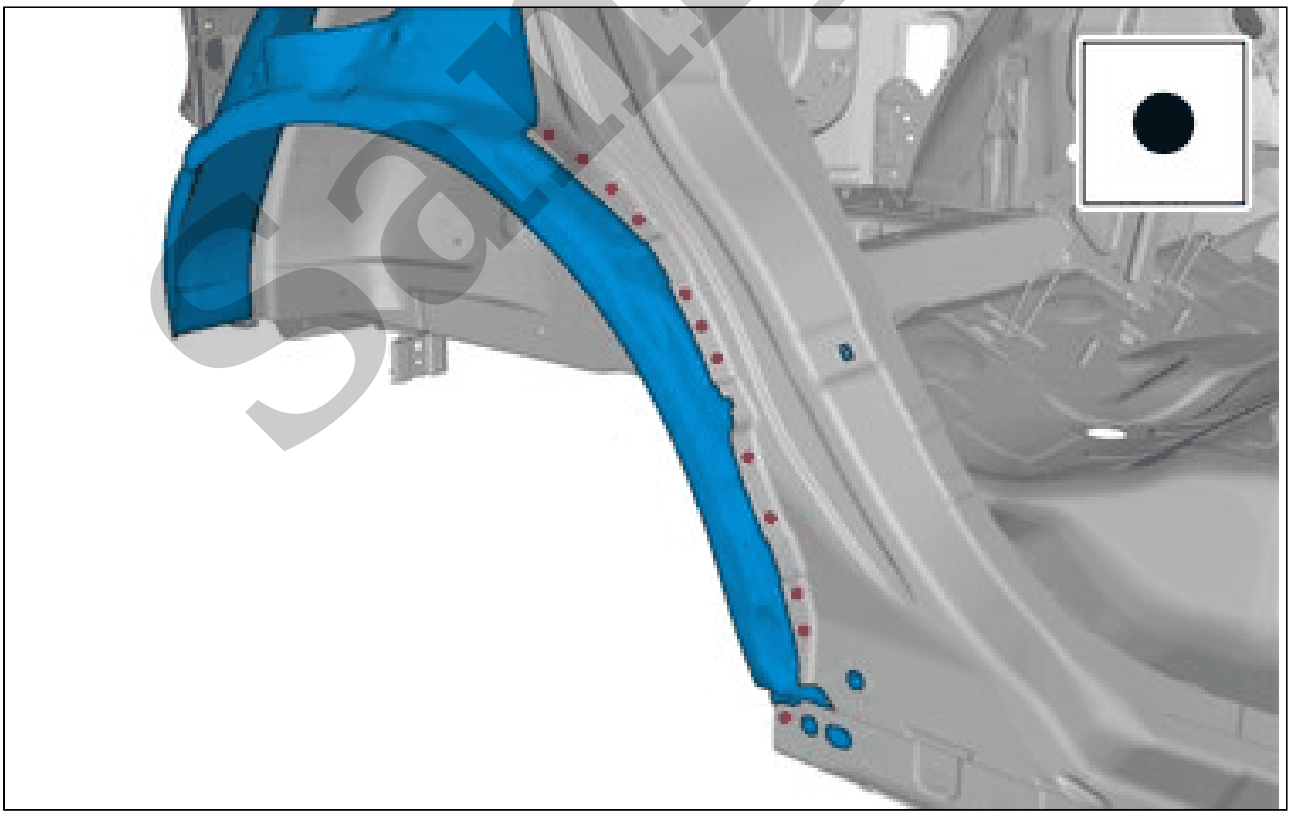
FactoryManuals.net is a great resource for anyone who wants to save money on repairs by doing their own work. The manuals provide detailed instructions and diagrams that make it easy to understand how to fix a vehicle.

## 2023 Volvo XC60 Manual & Workshop Service Guide

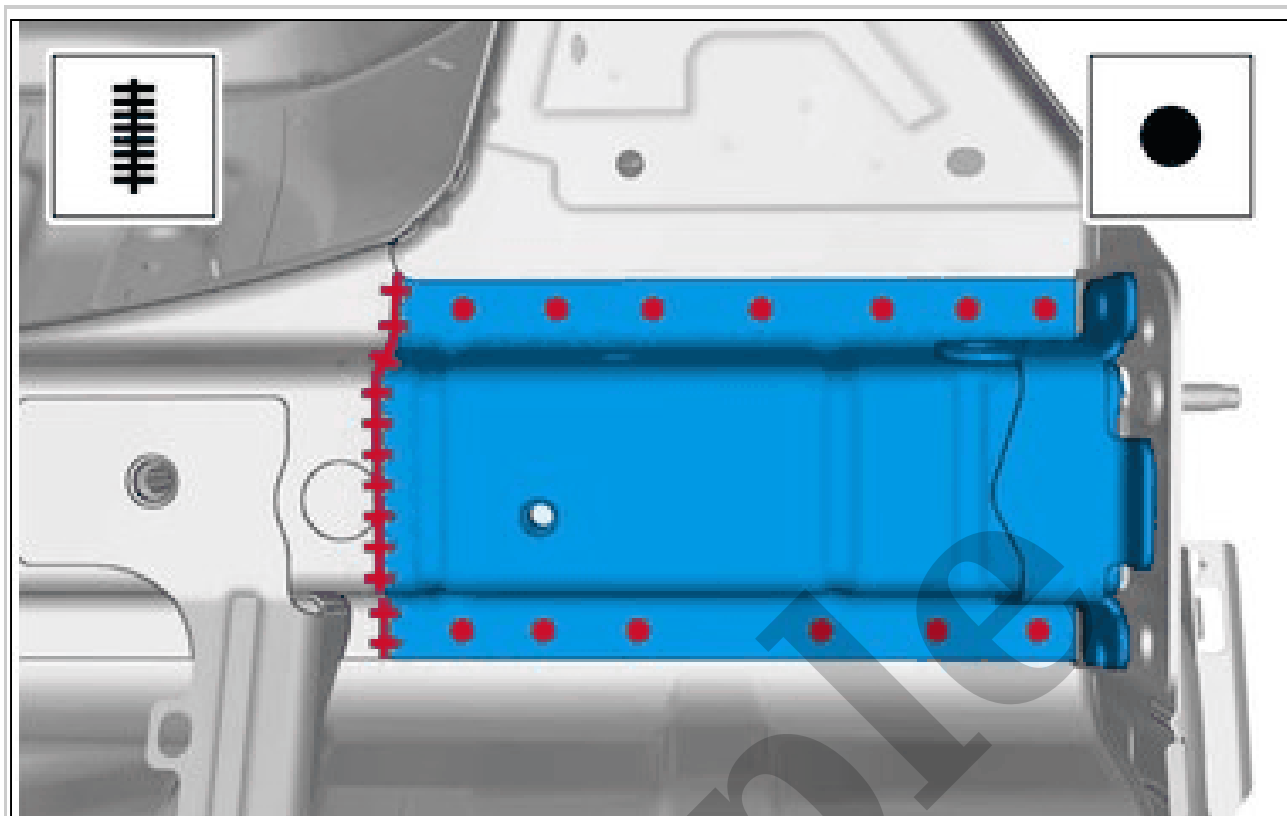
[Go to manual page](#)



Courtesy of VOLVO CARS CORPORATION



Courtesy of VOLVO CARS CORPORATION



Courtesy of VOLVO CARS CORPORATION

See information about body sealant, sealing diagram BODY SEAL, SEALING DIAGRAM

See information about corrosion protection RUSTPROOFING

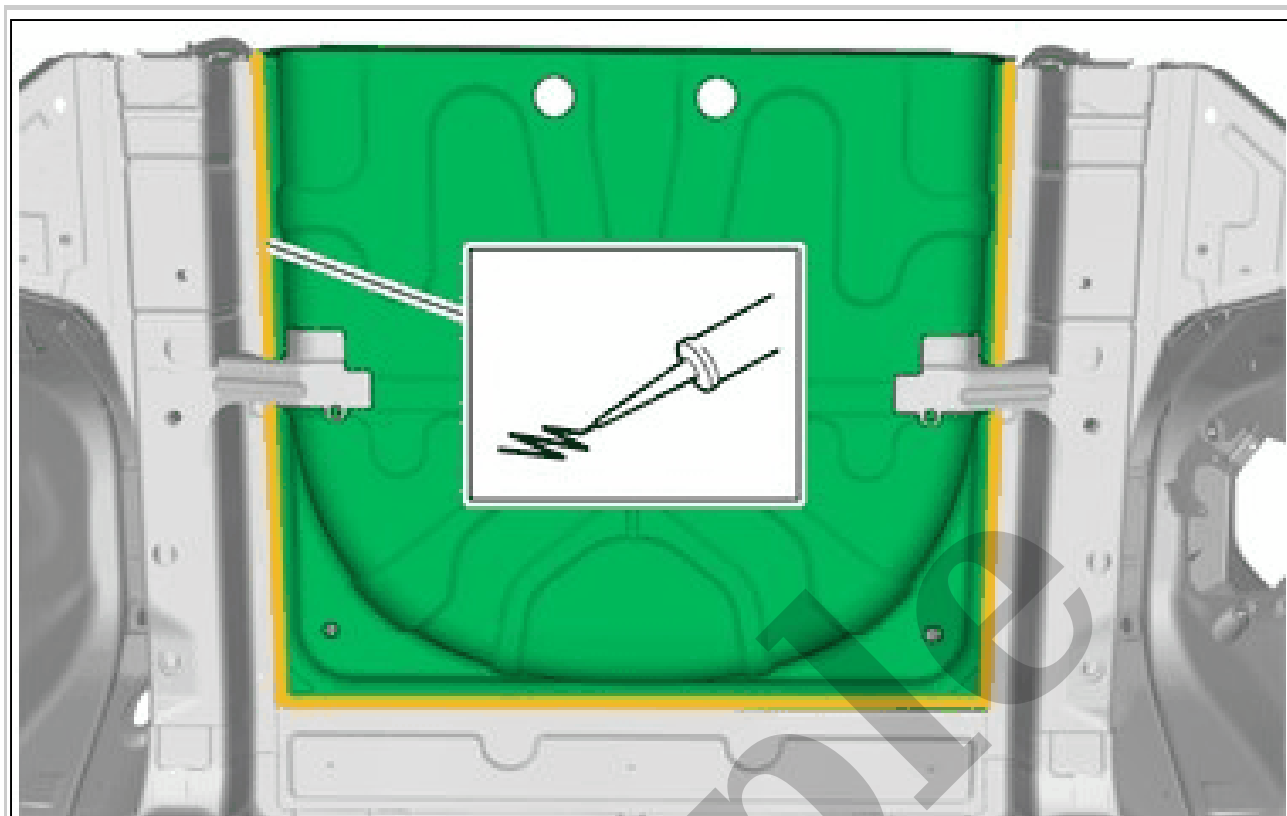
## **BODY PANEL REPLACEMENT > SPARE WHEEL WELL > SPARE WHEEL WELL [2018, 2019, 2020, 2021, 2022] > REMOVAL**

See information on welding, general BODY REPAIR GENERAL WELDING

Remove bumper rail rear REAR BUMPER RAIL

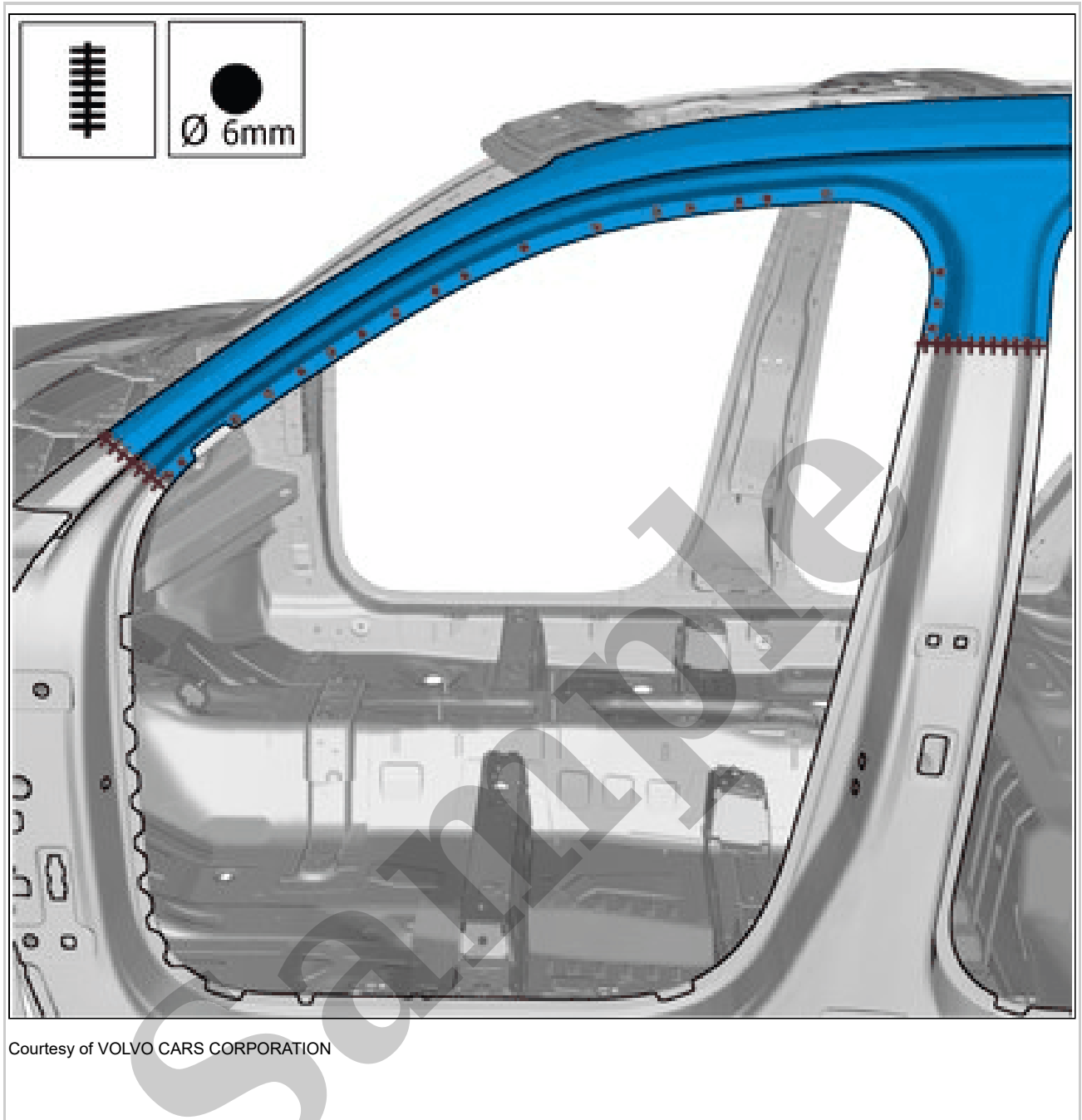
See information about rear piece REAR SECTION

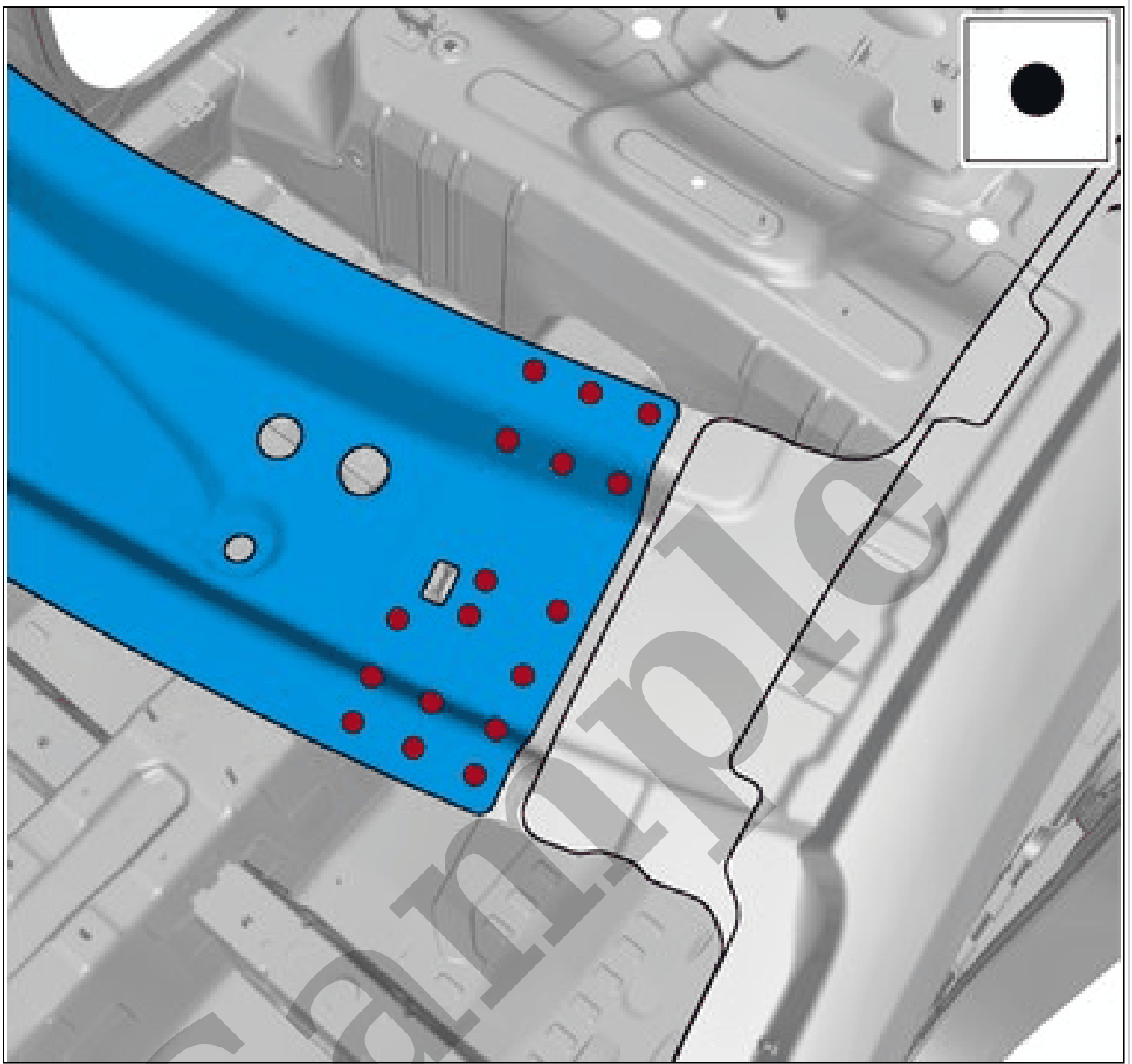
Remove the back piece outer REAR SECTION EXTERNAL



Courtesy of VOLVO CARS CORPORATION

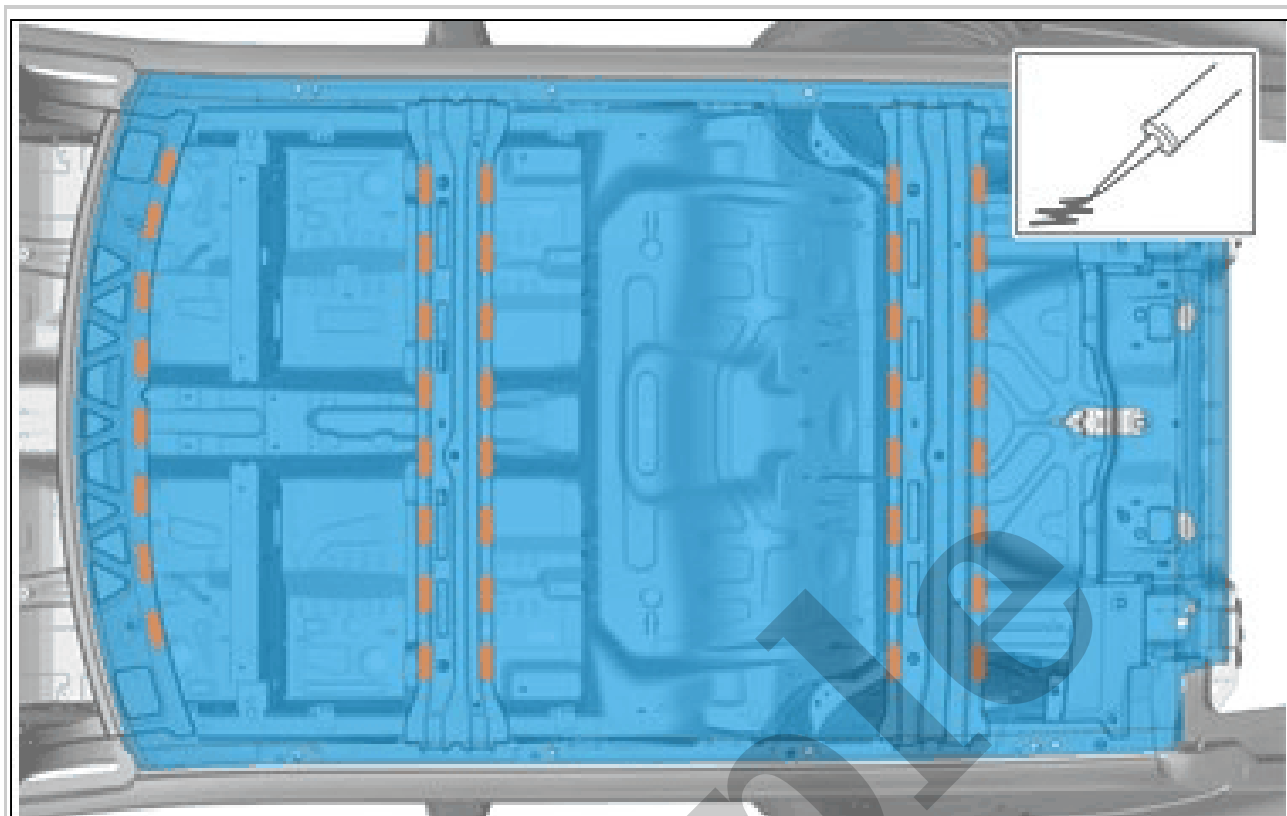
**Use:** Sealing compound, 1161767





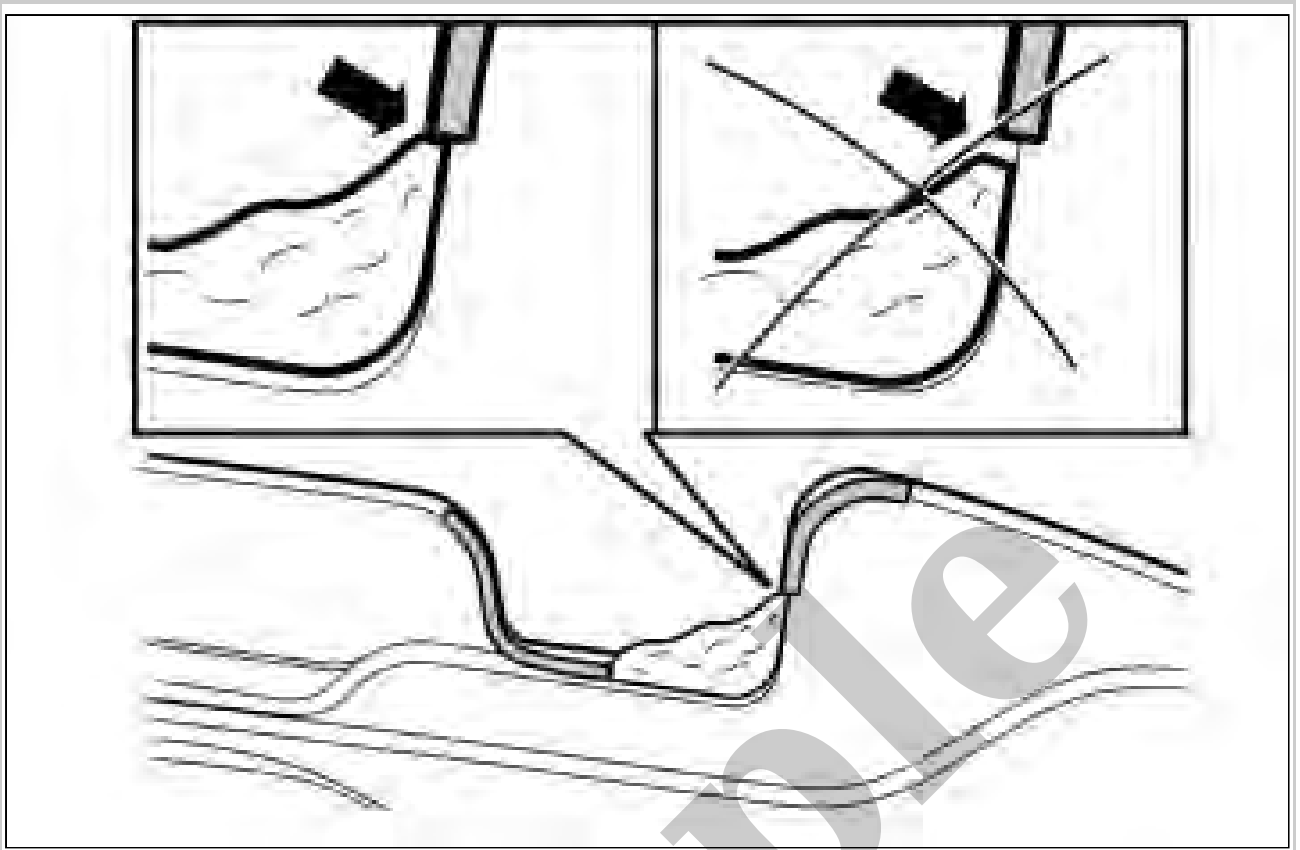
Courtesy of VOLVO CARS CORPORATION

On both sides.



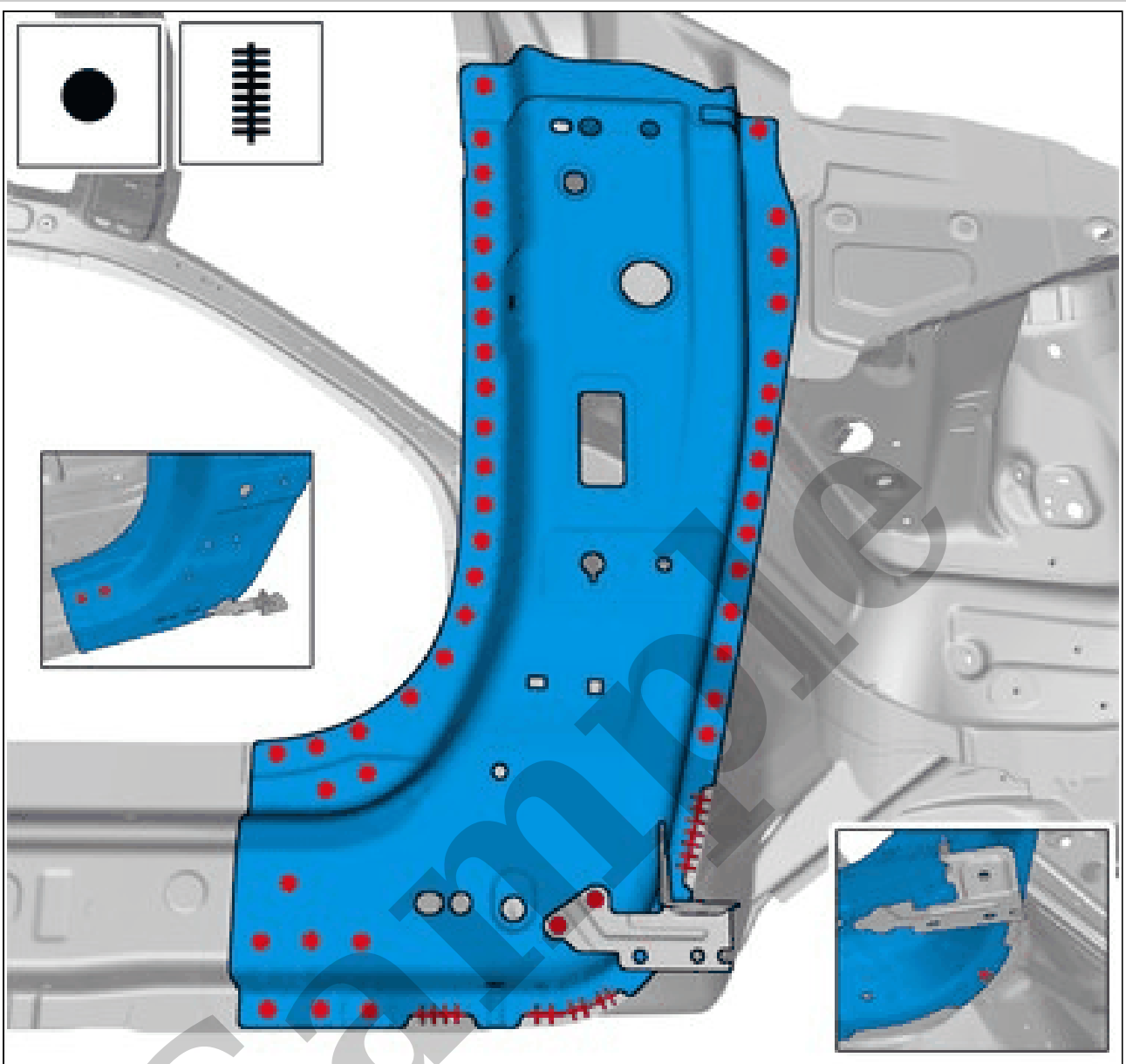
Courtesy of VOLVO CARS CORPORATION

**Use:** Sealing compound, 1161767

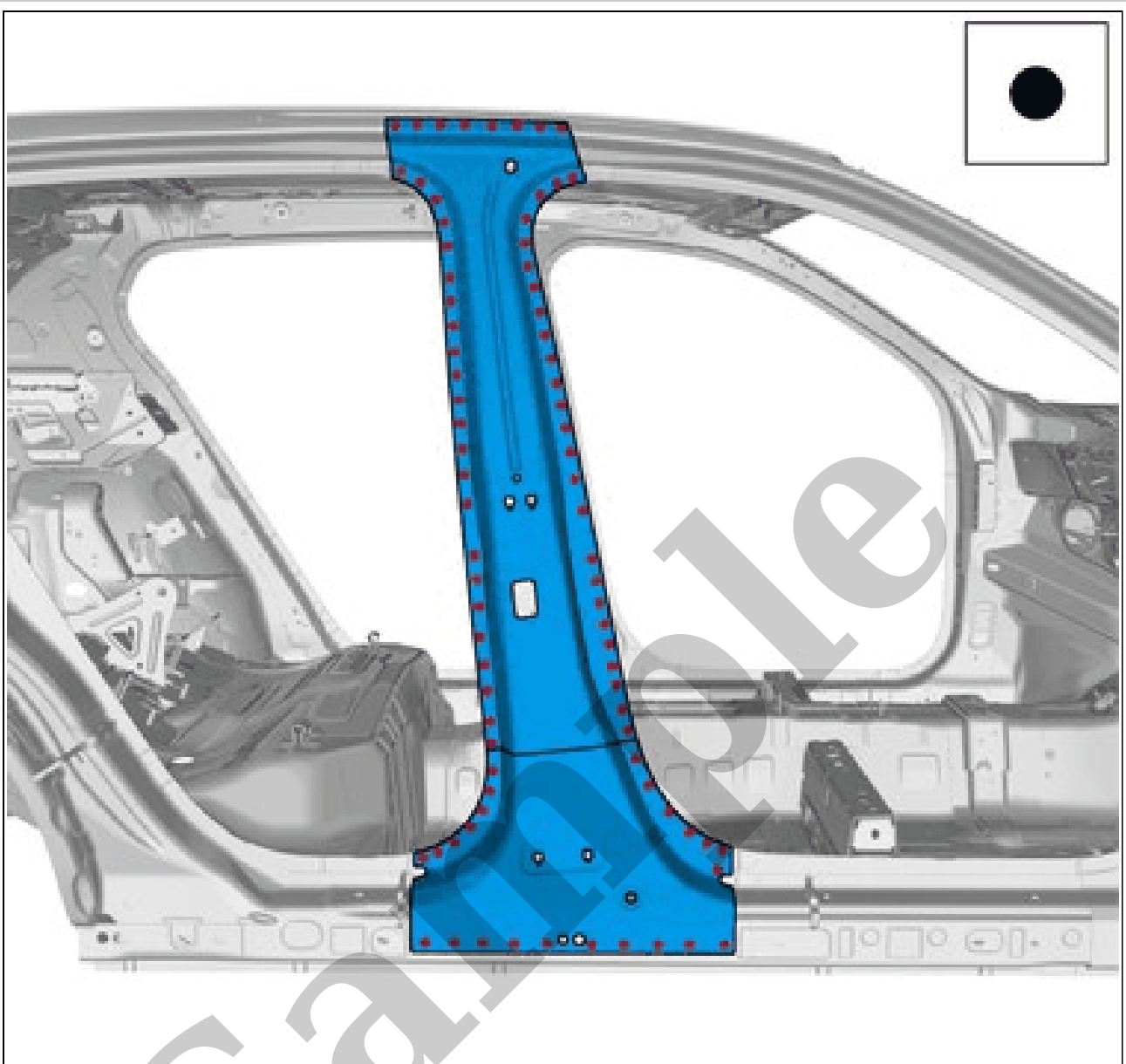


Courtesy of VOLVO CARS CORPORATION





Courtesy of VOLVO CARS CORPORATION



Courtesy of VOLVO CARS CORPORATION