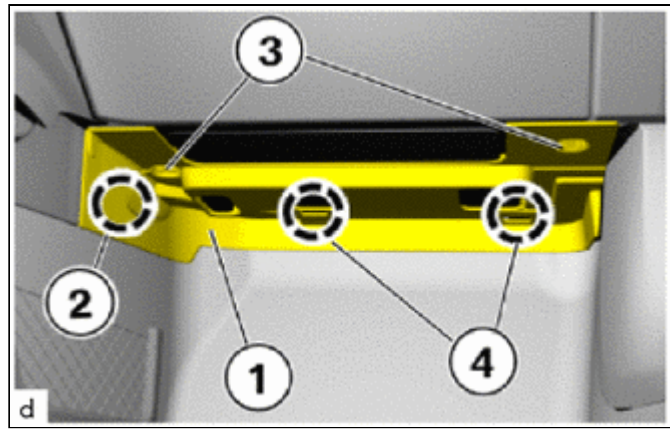


Your Ultimate Source for OEM Repair Manuals

FactoryManuals.net is a great resource for anyone who wants to save money on repairs by doing their own work. The manuals provide detailed instructions and diagrams that make it easy to understand how to fix a vehicle.

2023 Toyota Tundra Service and Repair Manual

[Go to manual page](#)



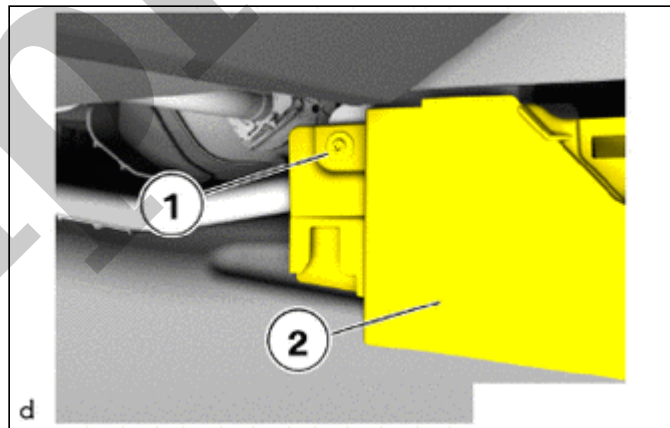
(b) Detach the guide (2).

(c) Detach the guides (4) to remove the No. 2 instrument panel under cover sub-assembly (1).

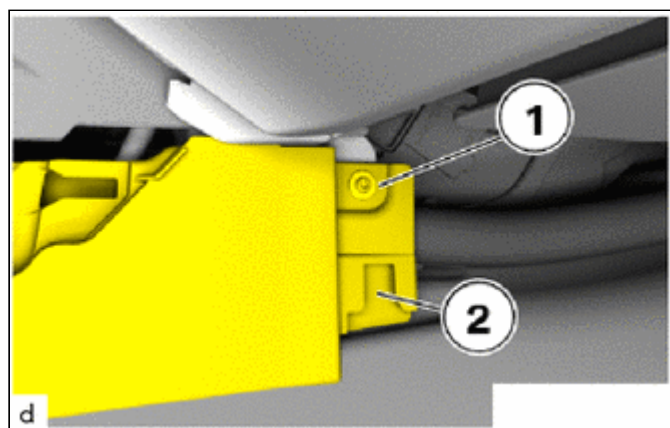
(d) Unlock plug connections and disconnect.

12. REMOVE CONSOLE BOX ASSEMBLY

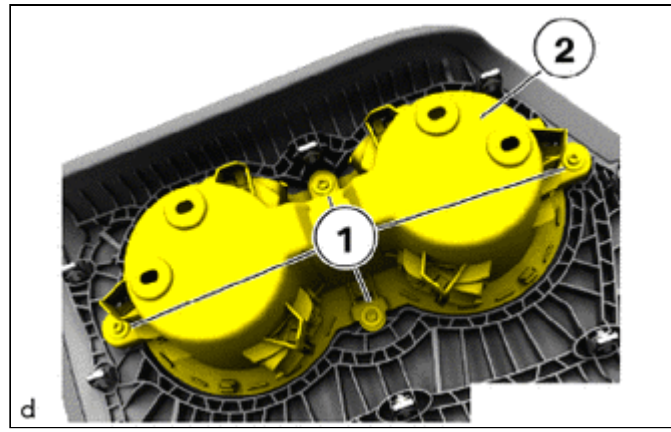
(a) Loosen T20 screw (1) on the console box assembly (2) on the left.



(b) Loosen T20 screw (1) on the console box assembly (2) on the right.



(c) Loosen T20 screws (1) on the console box assembly (2) on the front.



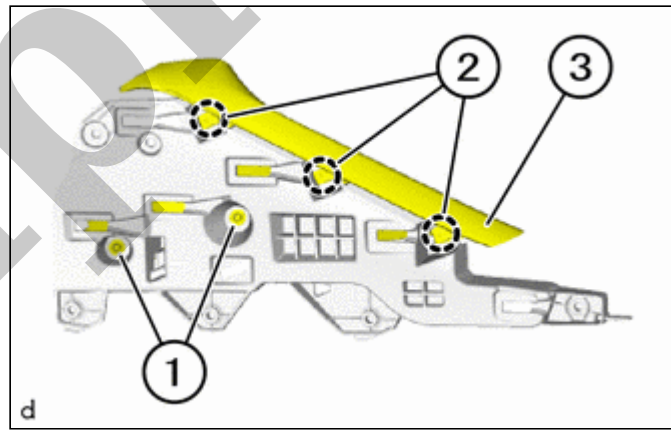
(b) Remove the console box cup holder (2).

14. REMOVE CONSOLE PANEL

HINT:

Perform this procedure only when replacement of the console panel or console panel retainer is necessary.

(a) Loosen T20 screws (1).



(b) Detach the clips (2).

(c) Remove the console panel (3).

15. REMOVE AIR CONDITIONING CONTROL ASSEMBLY

HINT:

Perform this procedure only when replacement of the instrument panel finish lower panel is necessary.

Click here [INFO](#)

16. REMOVE BOX BOTTOM MAT (w/o Wireless Charger)

HINT:

Perform this procedure only when replacement of the box bottom mat is necessary.

(a) Remove the box bottom mat.

17. REMOVE MOBILE WIRELESS CHARGER CRADLE ASSEMBLY (w/ Wireless Charger)

HINT:

Perform this procedure only when replacement of the front console box cover is necessary.

Click here [INFO](#)

[Click here](#) **INFO**

- for Front Passenger Side

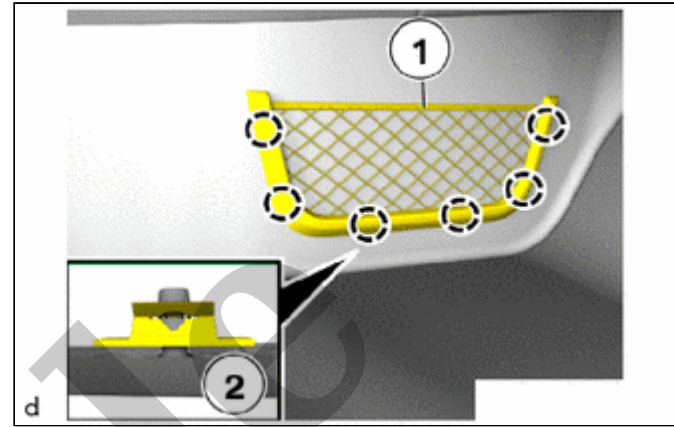
[Click here](#) **INFO**

25. REMOVE FOOTWELL STORAGE NET

HINT:

Perform this procedure only when replacement of the footwell storage net is necessary.

- (a) Detach the clips (2) to remove the footwell storage net (1).

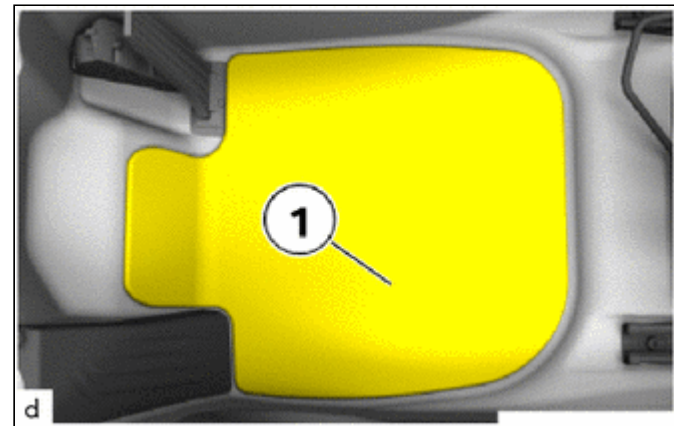


26. REMOVE FLOOR MAT ASSEMBLY

HINT:

- Perform this procedure only when replacement of the floor mat assembly is necessary.
- Use the same procedures for the front passenger side.

- (a) Remove the floor mat assembly (1).



- (b) Turn the No. 1 mat set plates (1) by 90° and remove upward from the front floor carpet assembly.

HINT:

Perform this procedure only when replacement of the No. 1 mat set plate is necessary.

Last Modified: 07-26-2024	6.11:8.1.0	Doc ID: RM1000000025SUP
Model Year Start: 2023	Model: Supra	Prod Date Range: [07/2022 -]
Title: INTERIOR PANELS / TRIM: FRONT CONSOLE BOX: REMOVAL; 2023 - 2025 MY Supra [07/2022 -]		

REMOVAL

CAUTION / NOTICE / HINT

CAUTION:

- Working on 12 V vehicle electrical system.

Risk of short circuits! Risk of fire!

- Detach the cable from the negative (-) battery terminal.
- w/ No. 2 Battery: Detach the cable from the negative (-) battery terminal of the No. 2 battery.

NOTICE:

- Before performing work on electronic components, disconnect the cable from the negative (-) battery terminal to prevent damage to the electrical system or components.
- When disconnecting the cable, turn the START-STOP button (engine switch) and headlight switch off and loosen the cable nut completely. Perform these operations without twisting or prying on the cable. Then disconnect the cable.
- Clock settings, radio settings, audio system memory, DTCs and other data will be cleared when the cable is disconnected from the negative (-) battery terminal. Write down any necessary data before disconnecting the cable.

PROCEDURE

1. DISCONNECT CABLE FROM NEGATIVE BATTERY TERMINAL

- for B46:

Click here [INFO](#)

- for B48:

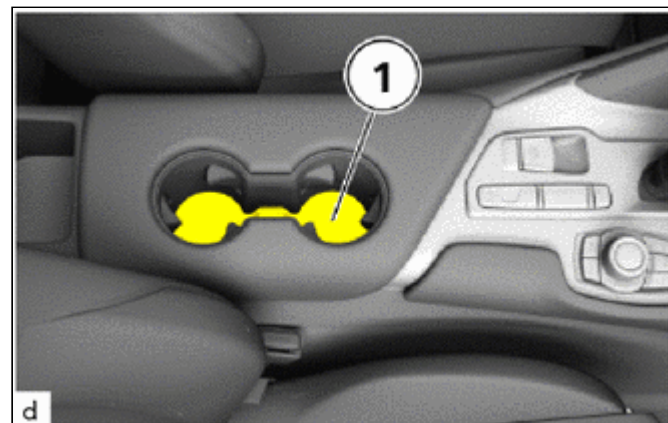
Click here [INFO](#)

- for B58:

Click here [INFO](#)

2. REMOVE FRONT CONSOLE ARMREST ASSEMBLY

(a) Remove the No. 1 console box silencer pad (1).



(b) Loosen T20 screws (1).