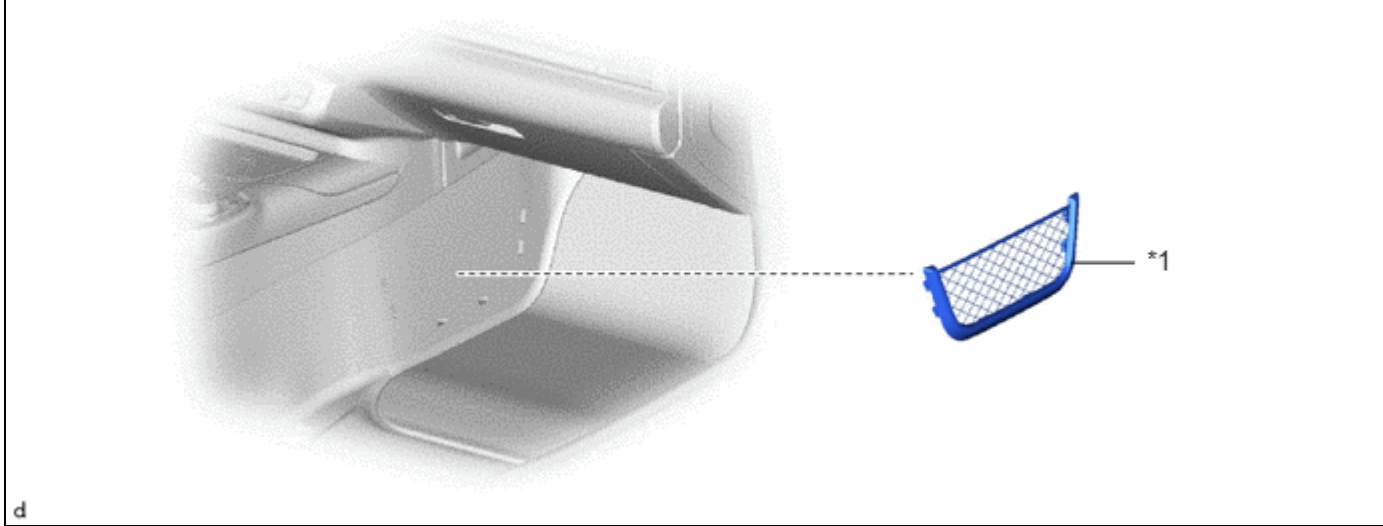


Your Ultimate Source for OEM Repair Manuals

FactoryManuals.net is a great resource for anyone who wants to save money on repairs by doing their own work. The manuals provide detailed instructions and diagrams that make it easy to understand how to fix a vehicle.

2023 Toyota Tacoma Service and Repair Manual

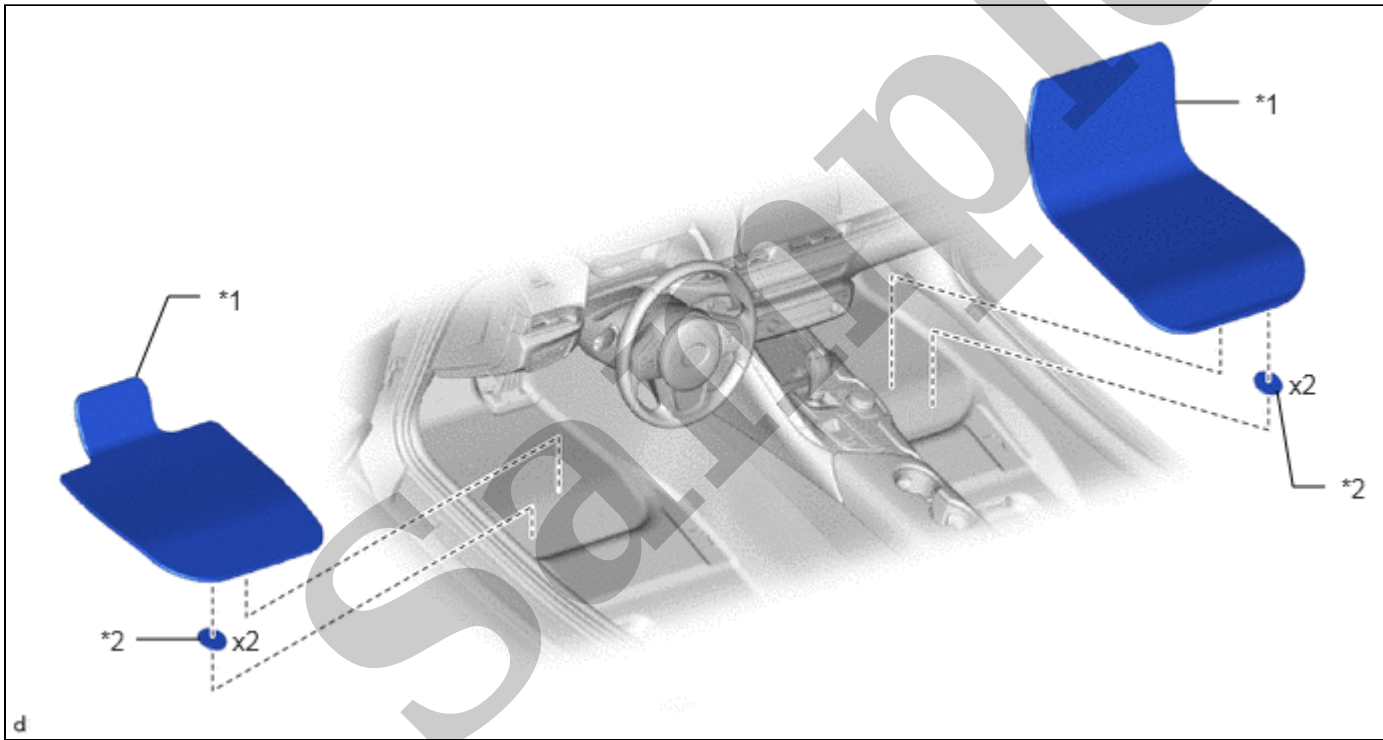
[Go to manual page](#)



d

*1	FOOTWELL STORAGE NET	-	-
----	----------------------	---	---

ILLUSTRATION



d

*1	FLOOR MAT ASSEMBLY	*2	NO. 1 MAT SET PLATE
----	--------------------	----	---------------------

ILLUSTRATION

Last Modified: 07-26-2024	6.11:8.1.0	Doc ID: RM100000001JCHC
Model Year Start: 2020	Model: Supra	Prod Date Range: [03/2019 - 07/2020]
Title: INTERIOR PANELS / TRIM: FRONT CONSOLE BOX: REMOVAL; 2020 - 2021 MY Supra [03/2019 - 07/2020]		

REMOVAL

CAUTION / NOTICE / HINT

CAUTION:

- Working on 12 V vehicle electrical system.
 - Risk of short circuits! Risk of fire!
 - Detach the cable from the negative (-) battery terminal.

NOTICE:

- Before performing work on electronic components, disconnect the cable from the negative (-) battery terminal to prevent damage to the electrical system or components.
- When disconnecting the cable, turn the START-STOP button (engine switch) and headlight switch off and loosen the cable nut completely. Perform these operations without twisting or prying on the cable. Then disconnect the cable.
- Clock settings, radio settings, audio system memory, DTCs and other data will be cleared when the cable is disconnected from the negative (-) battery terminal. Write down any necessary data before disconnecting the cable.

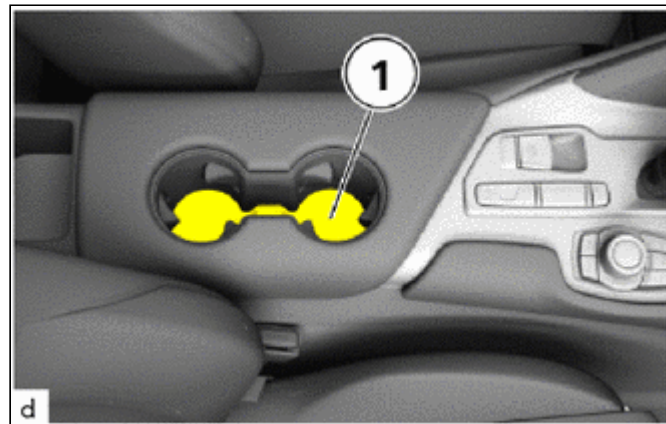
PROCEDURE

1. DISCONNECT CABLE FROM NEGATIVE BATTERY TERMINAL

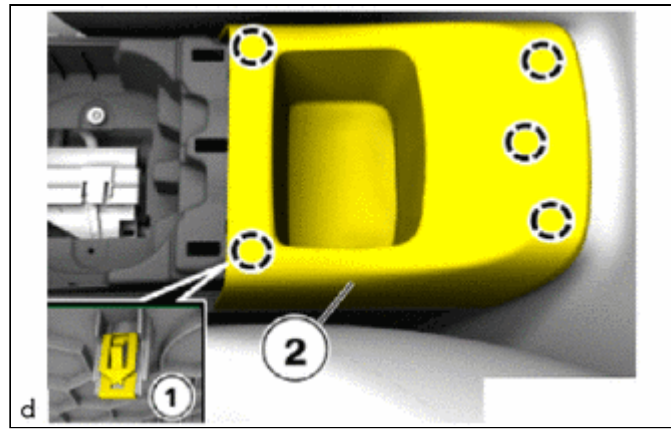
Click here [INFO](#)

2. REMOVE FRONT CONSOLE ARMREST ASSEMBLY

(a) Remove the No. 1 console box silencer pad (1).

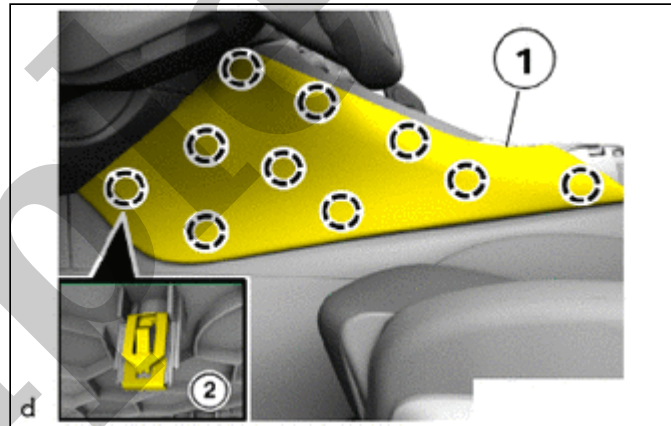


(b) Loosen T20 screws (1).



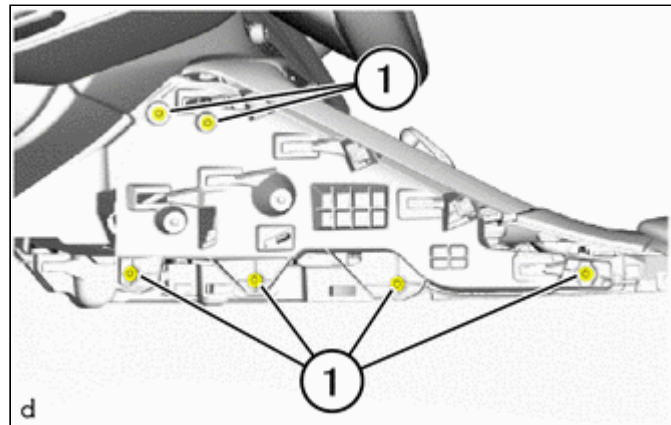
4. REMOVE CONSOLE SIDE PANEL

(a) Detach the clips (2) to remove the console side panel (1).

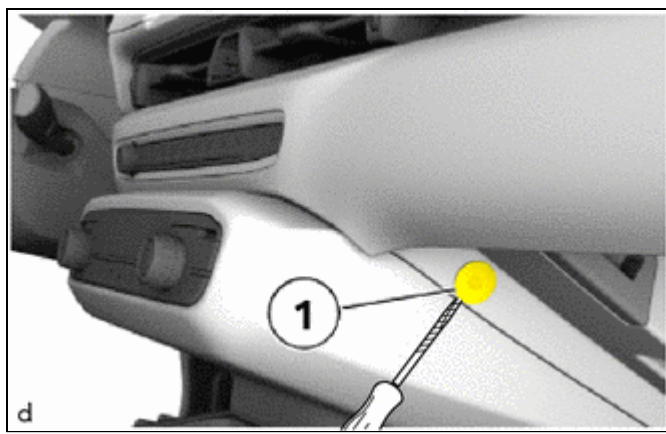


5. REMOVE CONSOLE PANEL AND CONSOLE PANEL RETAINER

(a) Loosen T20 screws (1).



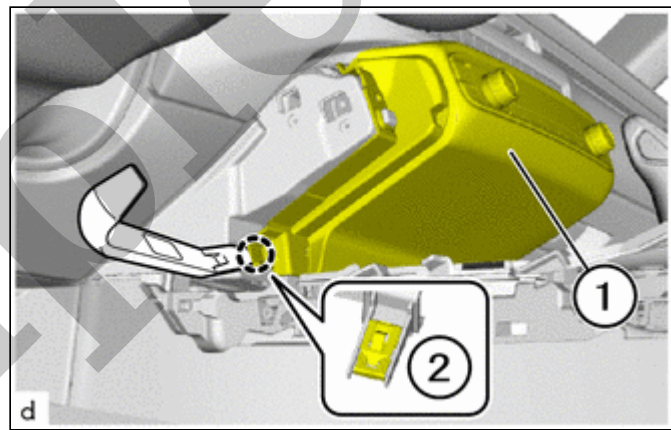
(b) Detach the guides (3) to remove the console panel (1) and console panel retainer (2) as shown in the illustration.



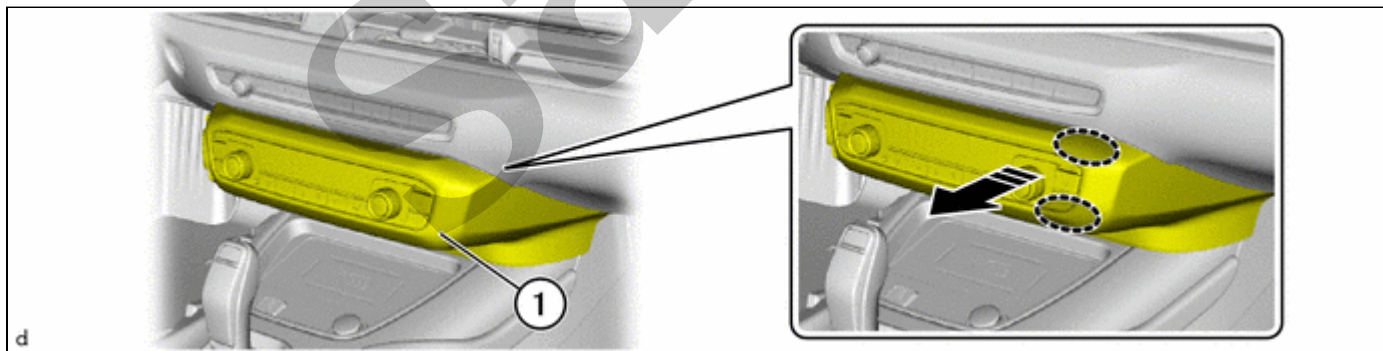
	Protective Tape
--	-----------------

(d) Loosen T20 screw behind it.

(e) Using a moulding remover A, detach the clip (2) of the instrument panel finish lower panel (1).



(f) Slightly pull out the instrument panel finish lower panel (1) toward you as shown in the illustration.



	Place Hands Here		Remove in this Direction
--	------------------	--	--------------------------

(g) Pull the instrument panel finish lower panel (1) straight forward, detach the guides (3) and the clip (2), and pull it out toward you.