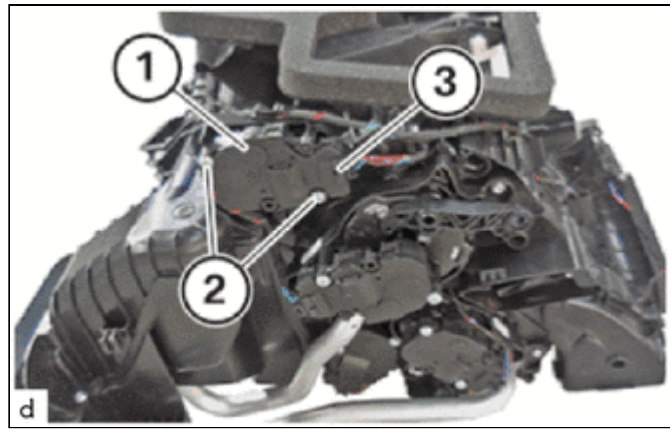


# Your Ultimate Source for OEM Repair Manuals

FactoryManuals.net is a great resource for anyone who wants to save money on repairs by doing their own work. The manuals provide detailed instructions and diagrams that make it easy to understand how to fix a vehicle.

## 2023 Toyota Crown Service Manual

[Go to manual page](#)

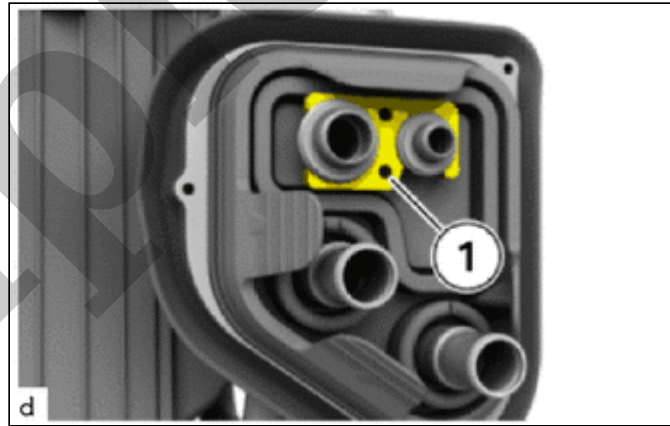


(b) Remove T20 screws (2).

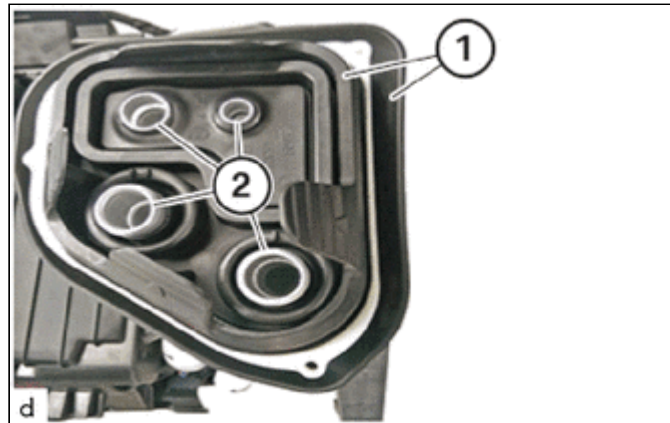
(c) Remove No. 1 air conditioning radiator damper servo sub-assembly (M9) (1).

## 2. REMOVE WATER PIPE SUB-ASSEMBLY

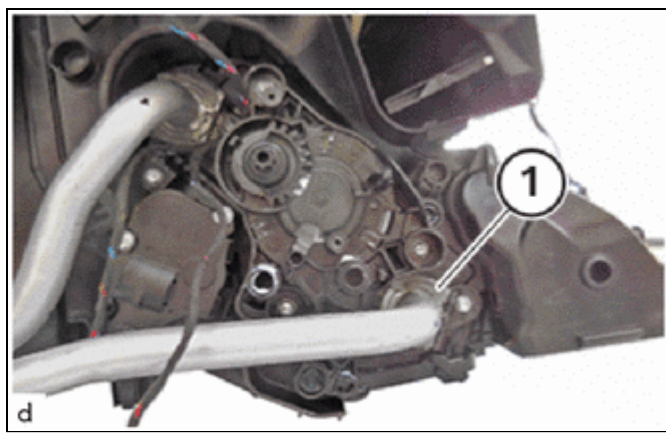
(a) Remove mounting plate (1).



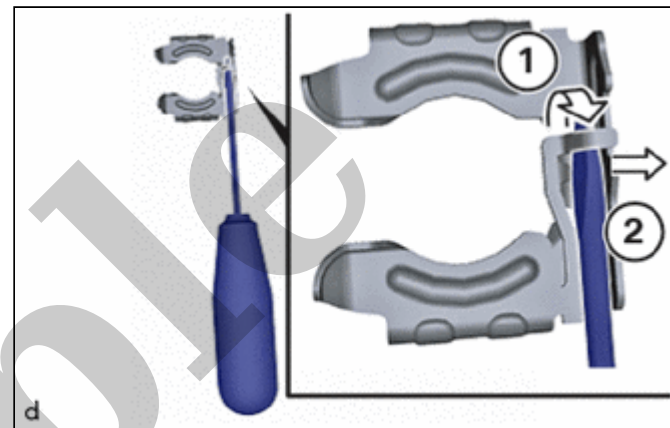
(b) Remove the seals (1) from the pipes (2) and remove them completely.



(c) Remove T20 screw (1).



(1) Disengage retaining clip (1) using screwdriver upwards.



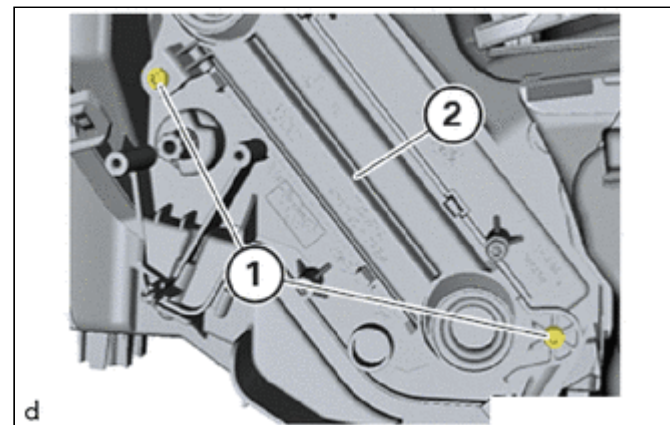
(2) Slide retaining clip (2) using screwdriver to one side.

(g) Remove the 2 water pipe sub-assemblies.

(h) Remove the 2 O-rings.

### 3. REMOVE HEATER RADIATOR UNIT SUB-ASSEMBLY

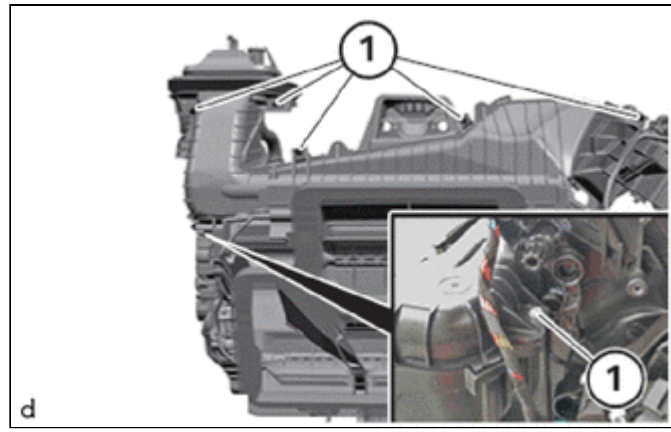
(a) Remove T20 screws (1).



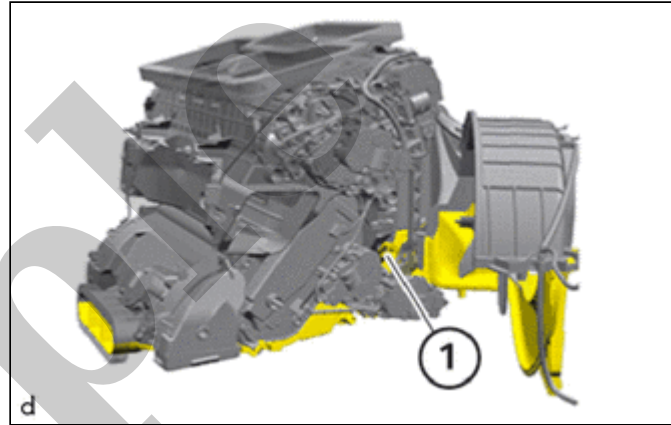
(b) Remove the heater radiator unit sub-assembly (2).

### 4. REMOVE NO. 1 COOLER EVAPORATOR SUB-ASSEMBLY

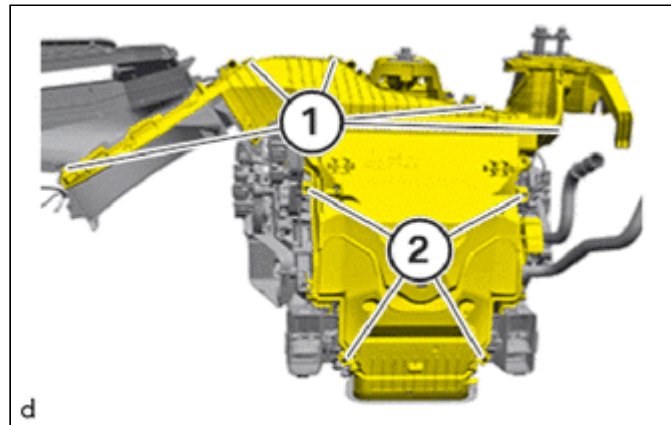
(a) Remove T20 screw (1).



(h) Disengage the claw (1).



(i) Disengage the claws (1).



(j) Remove T20 screws (2).

(k) Disengage the claws (1) and guide out the lower radiator case sub-assembly (2) and remove it.

## REASSEMBLY

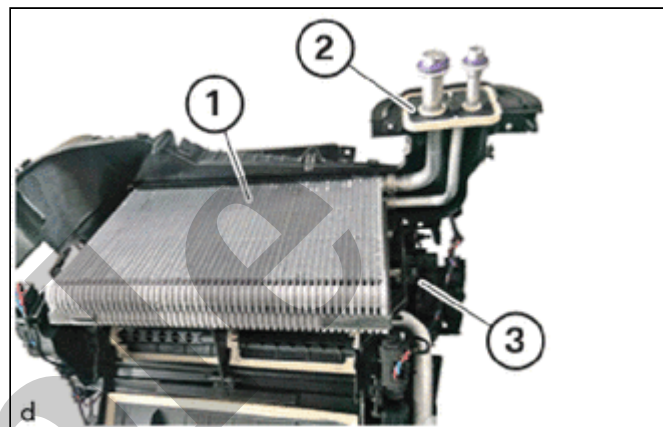
### PROCEDURE

#### 1. INSTALL NO. 1 COOLER EVAPORATOR SUB-ASSEMBLY

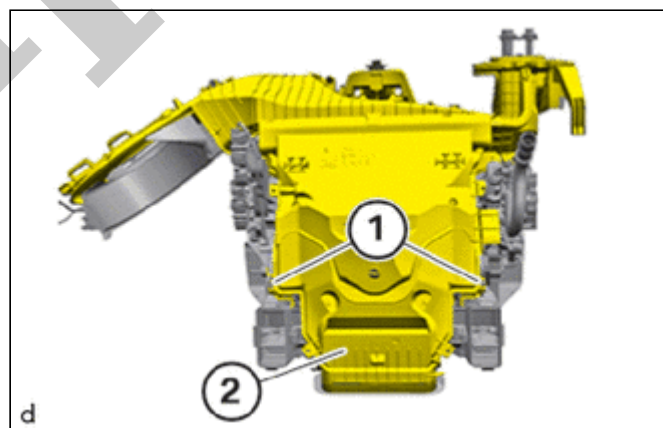
- (a) Install the No. 1 cooler evaporator sub-assembly (1) in the air conditioning radiator assembly (3) correctly.

**HINT:**

Make sure that the seal (2) is positioned correctly.



- (b) Correctly feed in lower radiator case sub-assembly (2) and engage at the claws (1).



- (c) Engage claws (1).

