

Your Ultimate Source for OEM Repair Manuals

FactoryManuals.net is a great resource for anyone who wants to save money on repairs by doing their own work. The manuals provide detailed instructions and diagrams that make it easy to understand how to fix a vehicle.

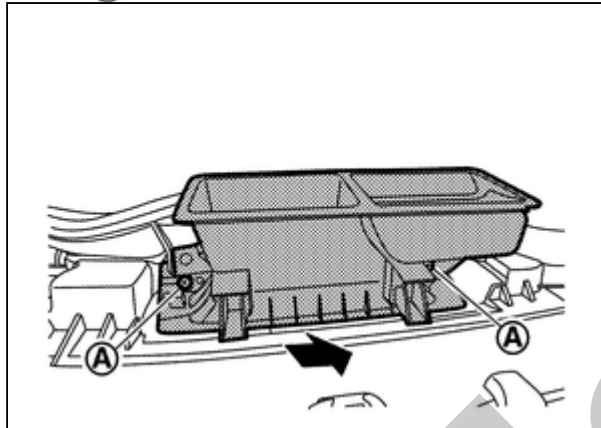
2023 NISSAN Tiida/Versa Sedan Service and Repair Manual

[Go to manual page](#)

REMOVAL

1 Remove instrument panel assembly. Refer to [Removal & Installation](#).

2 Remove front defroster nozzle fixing screws (A).



RPR-001930956-01-000375481

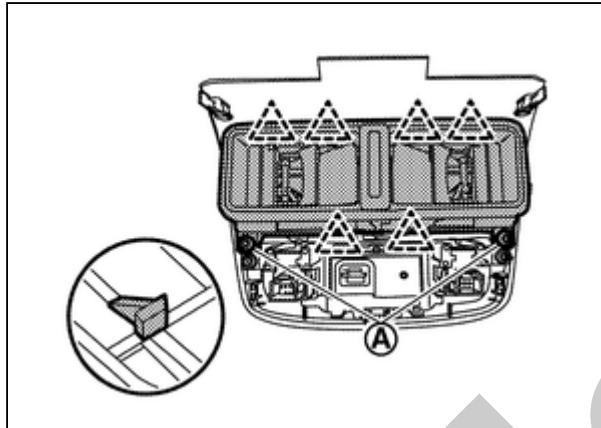
3 Remove front defroster nozzle according to shown by the arrow in the figure.

INSTALLATION

Install in the reverse order of removal.

REMOVAL

- 1 Remove rear console finisher rear upper. Refer to [Removal & Installation](#).
- 2 Remove fixing screws (A) and disengage fixing pawls, and then remove rear ventilator grille.



RPR-001930947-01-000375469

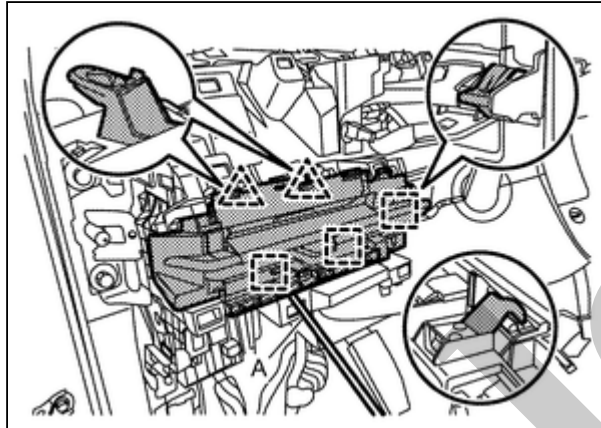
	: Pawl
--	--------

INSTALLATION

Install in the reverse order of removal.

Removal

- 1 Remove instrument pad B. Refer to [Removal & Installation](#).
- 2 Remove instrument finisher A. Refer to [Removal & Installation](#).
- 3 Disengage fixing metal clips and pawls while pushing metal clip by using a remover tool (A), and then remove side ventilator grille.



RPR-001930946-01-000375468

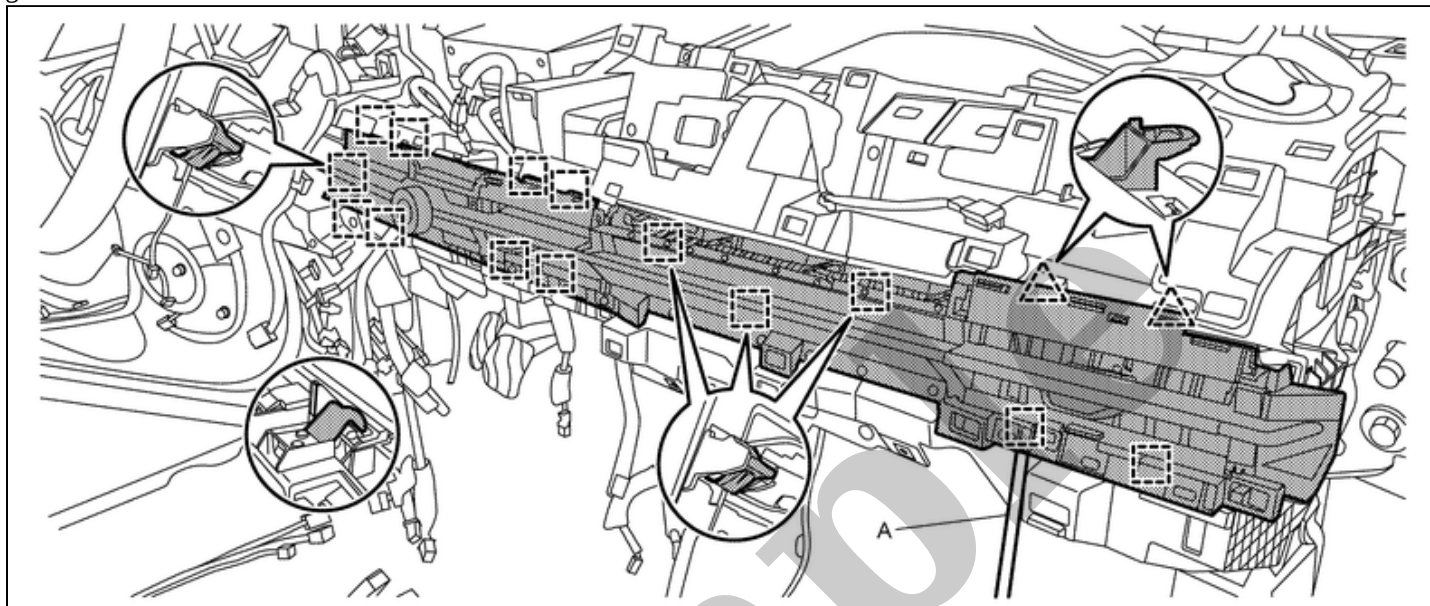
△	: Pawl
□	: Metal clip

INSTALLATION

Install in the reverse order of removal.

REMOVAL

- 1 Remove instrument pad B. Refer to [Removal & Installation](#).
- 2 Remove instrument finisher B. Refer to [Removal & Installation](#).
- 3 Disengage fixing metal clips and pawls while pushing metal clip by using a remover tool (A), and then remove center ventilator grille.



RPR-001930945-01-000375467

	: Pawl
	: Metal clip

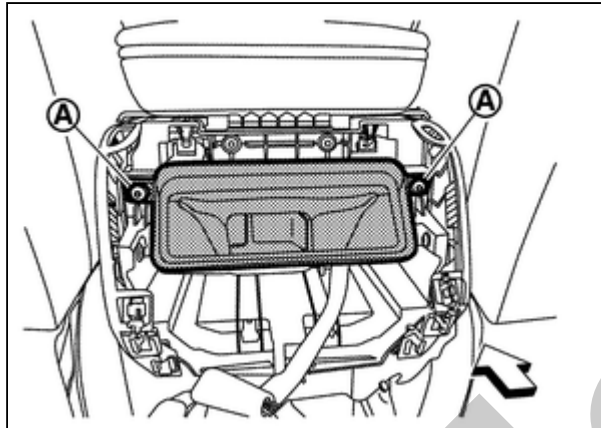
- 4 Disconnect harness connector, and then remove center ventilator grille.
- 5 Remove multi function switch from center ventilator grille. Refer to [Removal & Installation](#).

INSTALLATION

Install in the reverse order of removal.

Removal

- 1 Remove rear console finisher rear upper. Refer to [Removal & Installation](#).
- 2 Remove fixing screws (A), and then remove rear ventilator duct upper 3.

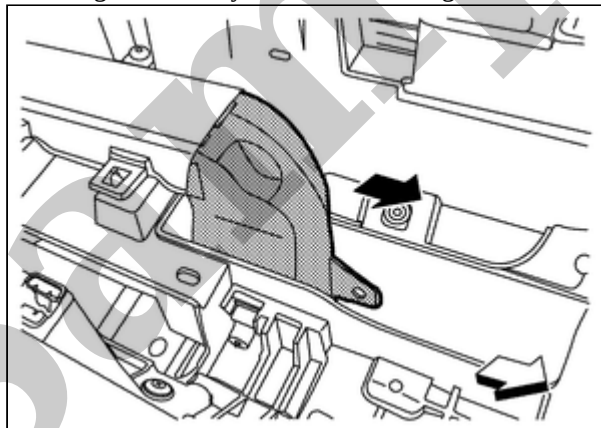


RPR-001930951-01-000375479



: Vehicle front

- 3 Remove console body upper from console body lower. Refer to [Disassembly & Assembly](#).
- 4 Remove rear ventilator duct upper 1 according to shown by the arrow in the figure.

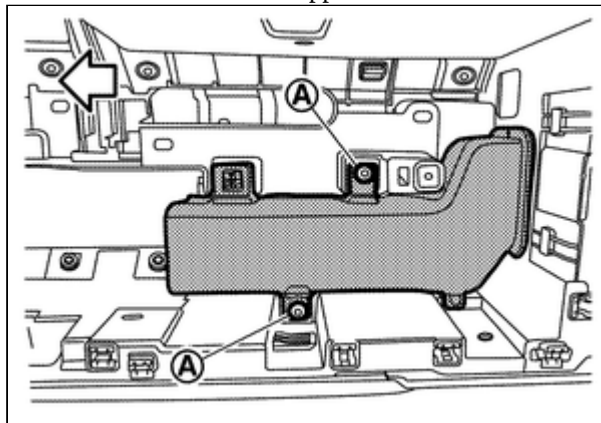


RPR-001930951-02-000375482



: Vehicle front

- 5 Remove fixing screws (A), and then remove rear ventilator duct upper 2.



RPR-001930951-03-000375484



: Vehicle front

INSTALLATION

Install in the reverse order of removal.

Sample

Precaution for Supplemental Restraint System (SRS) "AIR BAG" and "SEAT BELT PRE-TENSIONER"

RDE-001824509

The Supplemental Restraint System such as "AIR BAG" and "SEAT BELT PRE-TENSIONER", used along with a front seat belt, helps to reduce the risk or severity of injury to the driver and front passenger for certain types of collision.

Information necessary to service the system safely is included in the "SRS AIR BAG" and "SEAT BELT" of this Service Manual.

WARNING:

Always observe the following items for preventing accidental activation.

- To avoid rendering the SRS inoperative, which could increase the risk of personal injury or death in the event of a collision that would result in air bag inflation, it is recommended that all maintenance and repair be performed by an authorized NISSAN/INFINITI dealer.
- Improper repair, including incorrect removal and installation of the SRS, can lead to personal injury caused by unintentional activation of the system. For removal of Spiral Cable and Air Bag Module, see "SRS AIR BAG".
- Never use electrical test equipment on any circuit related to the SRS unless instructed to in this Service Manual. SRS wiring harnesses can be identified by yellow and/or orange harnesses or harness connectors.

PRECAUTIONS WHEN USING POWER TOOLS (AIR OR ELECTRIC) AND HAMMERS

WARNING:

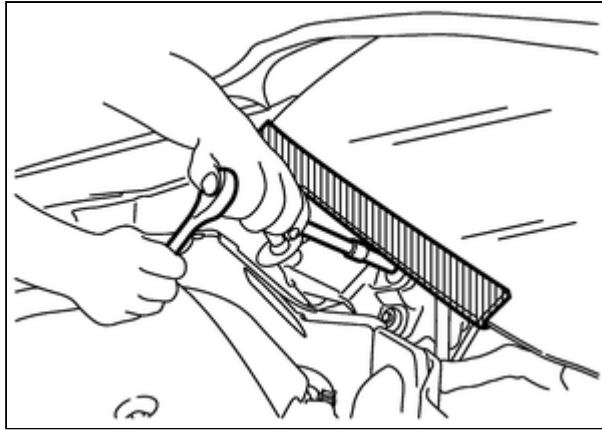
Always observe the following items for preventing accidental activation.

- When working near the Air Bag Diagnosis Sensor Unit or other Air Bag System sensors with the ignition/power switch ON or engine running, never use air or electric power tools or strike near the sensor(s) with a hammer. Heavy vibration could activate the sensor(s) and deploy the air bag(s), possibly causing serious injury.
- When using air or electric power tools or hammers, always switch the ignition/power switch OFF, disconnect the 12V battery or batteries, and wait at least 3 minutes before performing any service.

Precaution for Procedure without Cowl Top Cover

RDE-001824546

When performing the procedure after removing cowl top cover, cover the lower end of windshield with urethane, etc to prevent damage to windshield.



NISA0000000014898893-01-PIIB3706J

Sample

OPERATION PROHIBITION

WARNING:

- Parts with strong magnet is used in this vehicle.
- Technicians using a medical electric device such as pacemaker must never perform operation on the vehicle, as magnetic field can affect the device function by approaching to such parts.

NORMAL CHARGE PRECAUTION

WARNING:

- If a technician uses a medical electric device such as an implantable cardiac pacemaker or an implantable cardioverter defibrillator, the possible effects on the devices must be checked with the device manufacturer before starting the charge operation.
- As radiated electromagnetic wave generated by PDM (Power Delivery Module) at normal charge operation may affect medical electric devices, a technician using a medical electric device such as implantable cardiac pacemaker or an implantable cardioverter defibrillator must not approach motor room [PDM (Power Delivery Module)] at the hood-opened condition during normal charge operation.

PRECAUTION AT TELEMATICS SYSTEM OPERATION

WARNING:

- If a technician uses implantable cardiac pacemaker or implantable cardioverter defibrillator (ICD), avoid the device implanted part from approaching within approximately 220 mm (8.66 in) from interior/exterior antenna.
- The electromagnetic wave of TCU might affect the function of the implantable cardiac pacemaker or the implantable cardioverter defibrillator (ICD), when using the service, etc.
- If a technician uses other medical electric devices than implantable cardiac pacemaker or implantable cardioverter defibrillator (ICD), the electromagnetic wave of TCU might affect the function of the device. The possible effects on the devices must be checked with the device manufacturer before TCU use.

PRECAUTION AT INTELLIGENT KEY SYSTEM OPERATION

WARNING:

- If a technician uses implantable cardiac pacemaker or implantable cardioverter defibrillator (ICD), avoid the device implanted part from approaching within approximately 220 mm (8.66 in) from interior/exterior antenna.
- The electromagnetic wave of Intelligent Key might affect the function of the implantable cardiac pacemaker or the implantable cardioverter defibrillator (ICD), at door operation, at each request switch operation, or at engine starting.
- If a technician uses other medical electric devices than implantable cardiac pacemaker or implantable cardioverter defibrillator (ICD), the electromagnetic wave of Intelligent Key might affect the function of the device. The possible effects on the devices must be checked with the device manufacturer before Intelligent Key use.