

Your Ultimate Source for OEM Repair Manuals

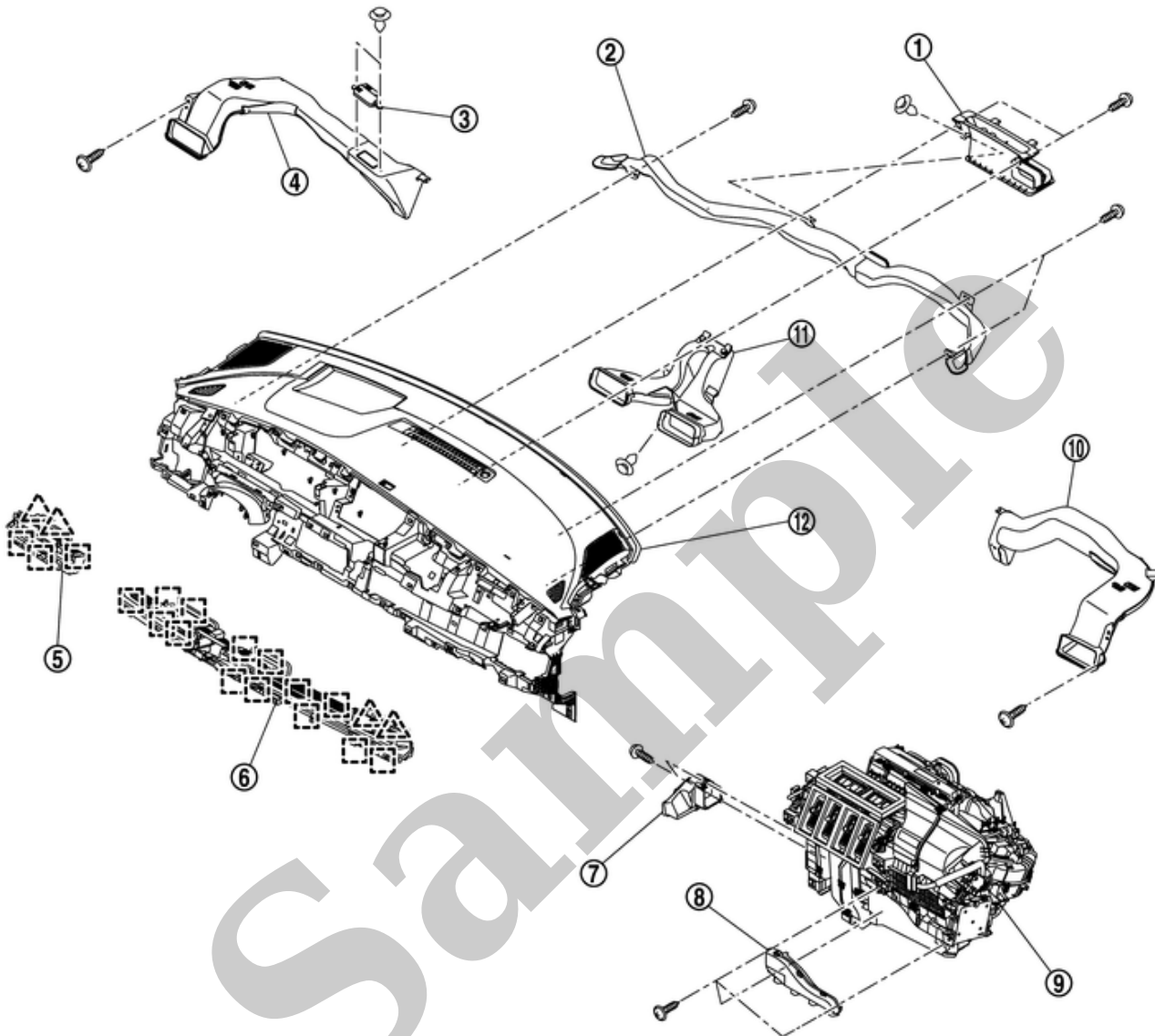
FactoryManuals.net is a great resource for anyone who wants to save money on repairs by doing their own work. The manuals provide detailed instructions and diagrams that make it easy to understand how to fix a vehicle.

2023 NISSAN Terrano Service and Repair Manual



[Go to manual page](#)

Front

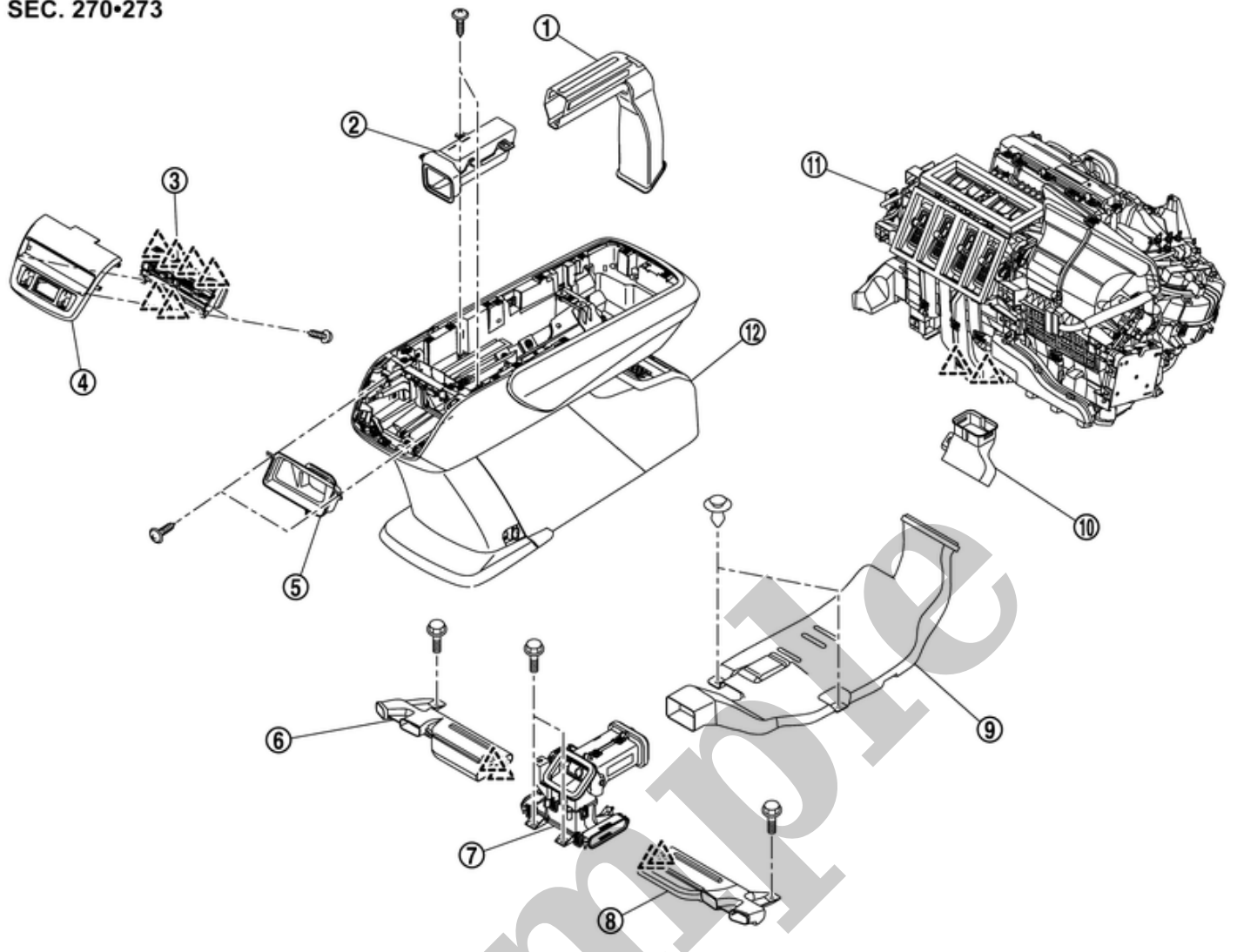
SEC. 270•273•680•685



RDE-001930944-02-000375465

①	Front defroster nozzle	②	Side defroster nozzle	③	Ionizer (if equipped)
④	Side ventilator duct LH	⑤	Side ventilator grille	⑥	Center ventilator grille
⑦	Front foot duct LH	⑧	Front foot duct RH	⑨	A/C unit assembly
⑩	Side ventilator duct RH	⑪	Center ventilator duct	⑫	Instrument panel assembly
	: Pawl				
	: Metal clip				

Rear

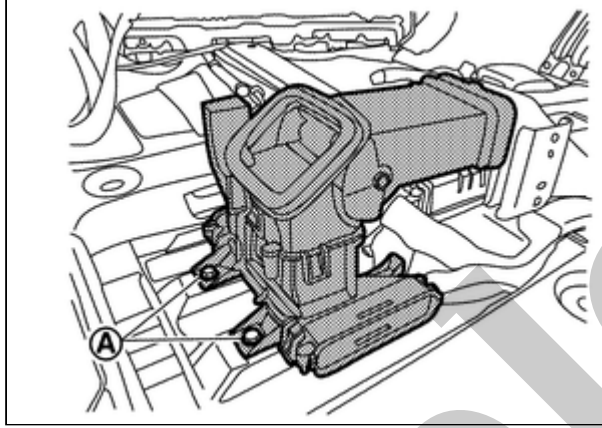


RDE-001930944-01-000375494

①	Rear ventilator duct upper 1	②	Rear ventilator duct upper 2	③	Rear ventilator grille
④	Rear console finisher rear upper	⑤	Rear ventilator duct upper 3	⑥	Rear floor duct LH
⑦	Rear ventilator duct	⑧	Rear floor duct RH	⑨	Front floor duct 2
⑩	Front floor duct 1	⑪	A/C unit assembly	⑫	Center console body assembly
△	: Pawl				

Removal

- 1 Remove rear floor duct. Refer to [Removal & Installation](#).
- 2 Disengage harness clip.
- 3 Remove air mix actuator. Refer to [Removal & Installation](#).
- 4 Remove mounting bolts (A), and then remove rear ventilator duct.



RPR-001930950-01-000354697

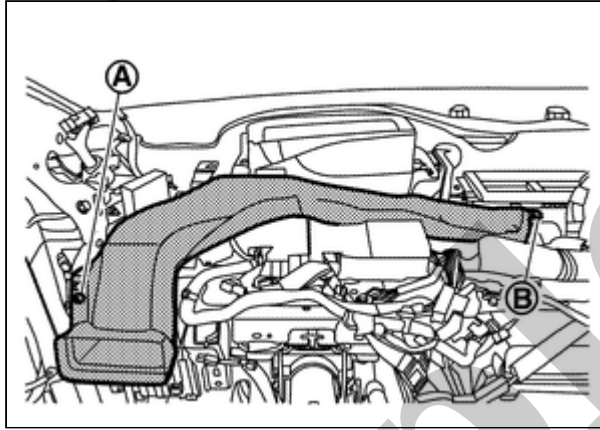
INSTALLATION

Install in the reverse order of removal.

REMOVAL

Side ventilator duct LH

- 1 Remove instrument panel assembly. Refer to [Removal & Installation](#).
- 2 Remove Ionizer (if equipped).
- 3 Remove side ventilator duct LH fixing screw (A).

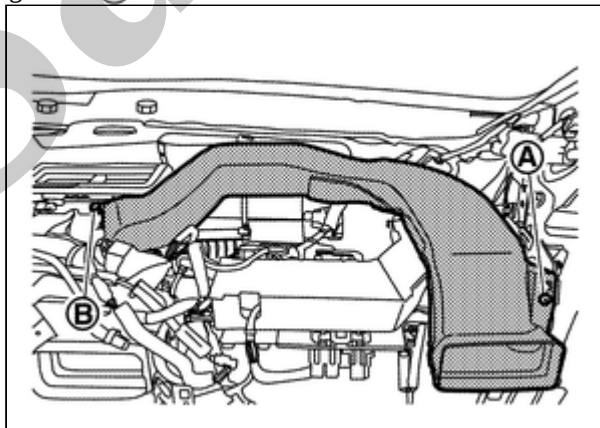


RPR-001930949-01-000375471

- 4 Disengage locating pin (B), and then remove side ventilator duct LH.

Side ventilator duct RH

- 1 Remove instrument panel assembly. Refer to [Removal & Installation](#).
- 2 Disengage harness metal clip.
- 3 Remove side ventilator duct RH fixing screw (A).



RPR-001930949-04-000375472

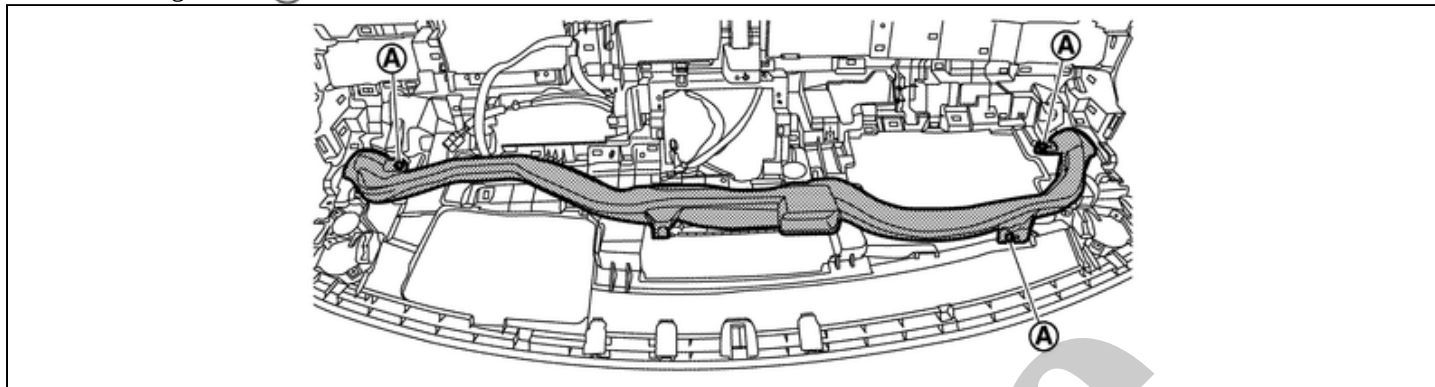
- 4 Disengage locating pin (B), and then remove side ventilator duct RH.

INSTALLATION

Install in the reverse order of removal.

REMOVAL

- 1 Remove front defroster nozzle. Refer to [Removal & Installation](#).
- 2 Remove fixing screws (A), and then remove side defroster nozzle.



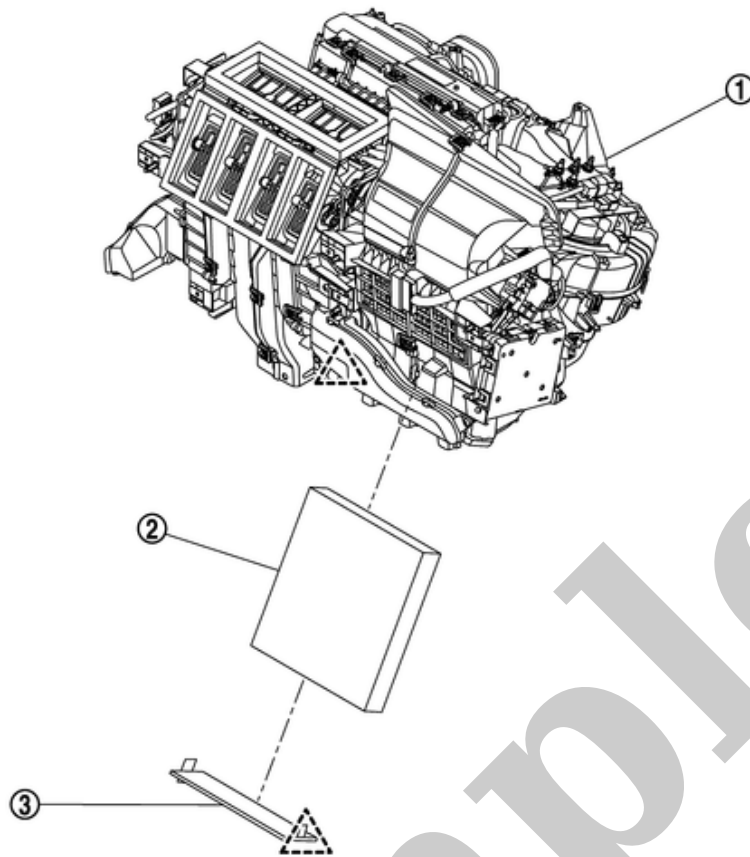
RPR-001930955-01-000375485

INSTALLATION

Install in the reverse order of removal.

Sample

SEC. 270

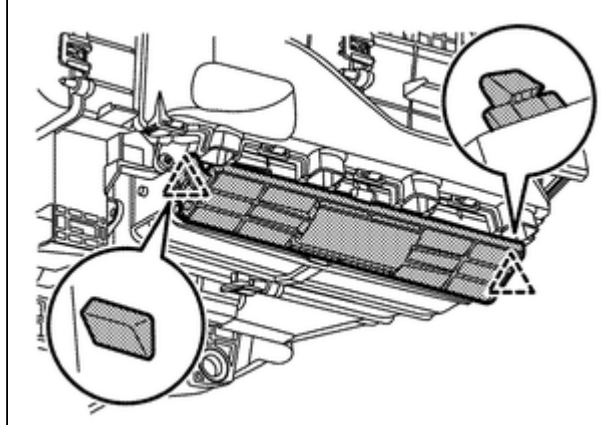


RDE-001930959-01-000375493

①	A/C unit assembly	②	Air conditioner filter	③	Filter cover
△	: Pawl				

REMOVAL

1 Disengage fixing pawls, and then remove filter cover.



RPR-001930960-01-000375490



: Pawl

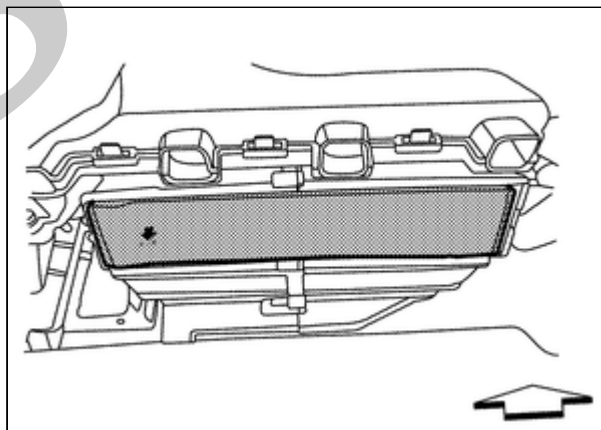
2 Remove air conditioner filter from A/C unit assembly.

INSTALLATION

Note the following items, and then install in the reverse order of removal.

CAUTION:

- If the filter is deformed/damaged when removing, replace it with a new one. Deformed/damaged filter may deteriorate the dust collecting performance.
- When installing, handle the filter with extreme care to avoid deforming/damaging.
- Install air conditioner filter according to shown in the figure.



RPR-001930960-02-000375488



: Vehicle front

Replacement

RPR-001930961

Replace air conditioner filter. Refer to [Removal & Installation](#).



NOTE:

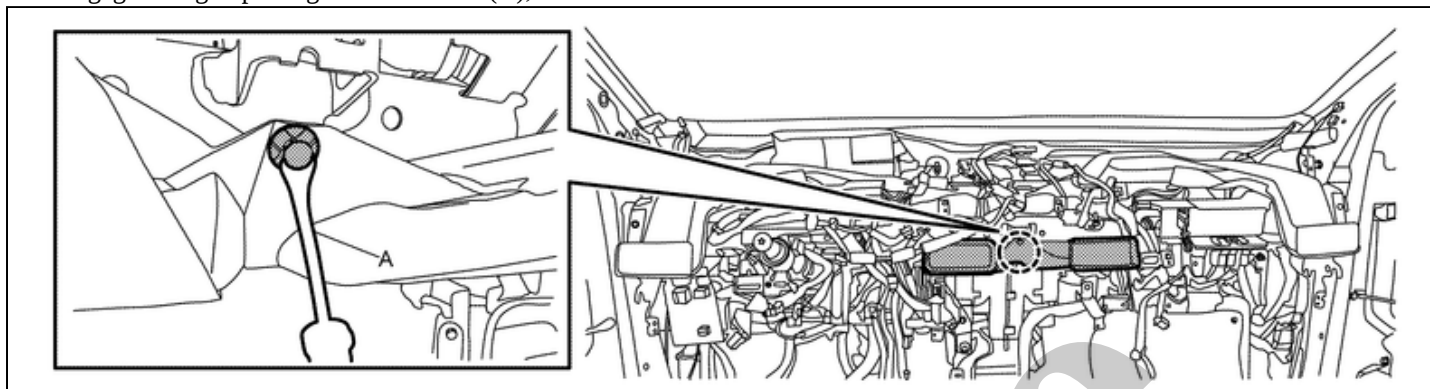
Replace air conditioner filter according to replacement interval. Refer to [AIR CONDITIONER FILTER : Service Data](#).

Sample


REMOVAL

1 Remove side ventilator duct. Refer to [Removal & Installation](#).

2 Disengage fixing clip using a remover tool (A), and then remove center ventilator duct.



RPR-001930948-01-000375470

	: Clip
--	--------

INSTALLATION

Install in the reverse order of removal.