

Your Ultimate Source for OEM Repair Manuals

FactoryManuals.net is a great resource for anyone who wants to save money on repairs by doing their own work. The manuals provide detailed instructions and diagrams that make it easy to understand how to fix a vehicle.

2023 NISSAN Teana Service and Repair Manual

[Go to manual page](#)

AIR CONDITIONER FILTER : Service Data

RDE-001979643

Replacement interval	Refer to MAINTENANCE : Periodic Maintenance .
----------------------	---

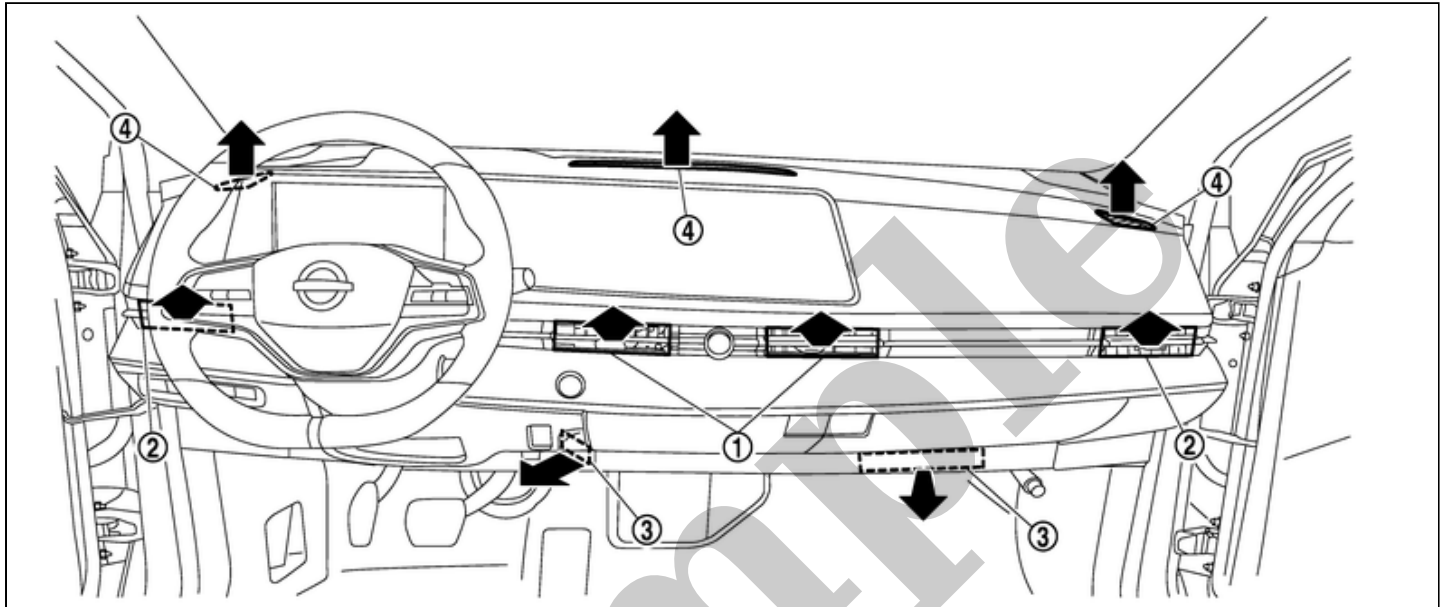
Sample

OUTLINE

Ventilation system is controlled by A/C auto amp. Refer to [Air Flow Control](#).

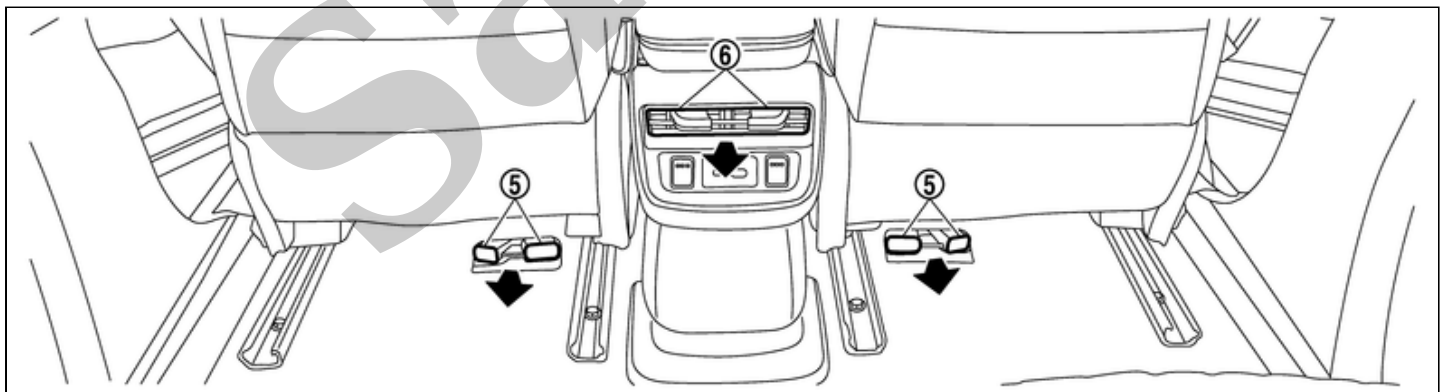
AIR FLOW

Front



SIEMD-6896992-01-000375464


Rear



SIEMD-6896992-02-000354683

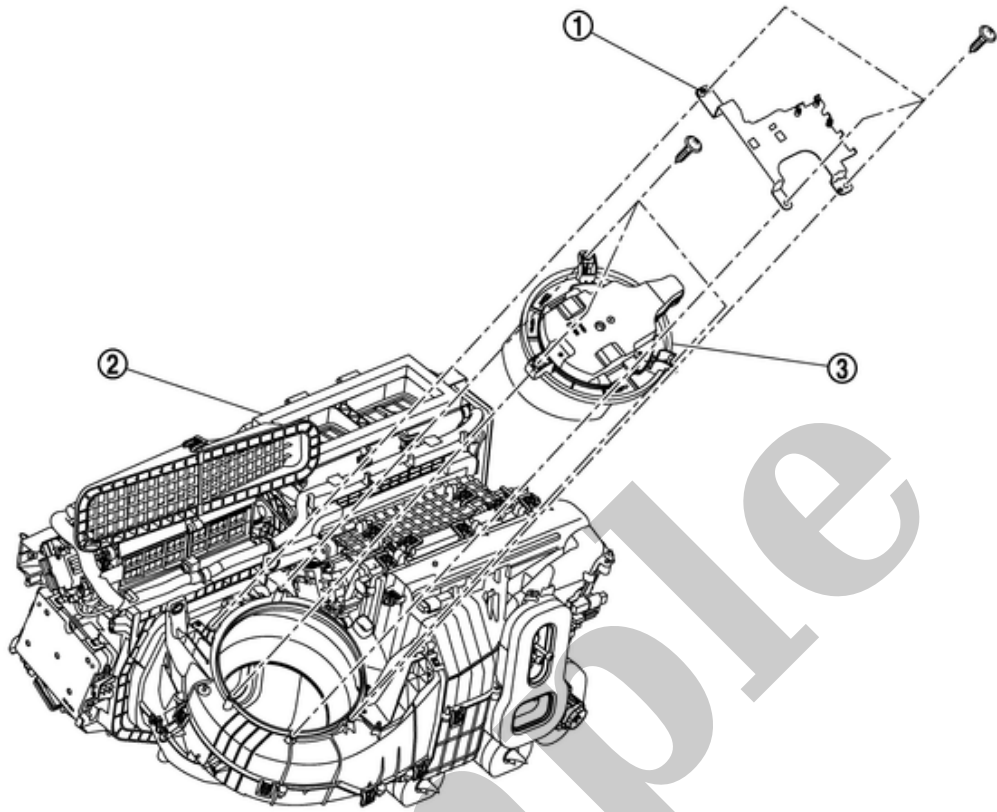
× : Applicable

MODE/DEF position indication	AIR OUTLET					
	Ventilator			Foot		Defroster④
	Center①	Side②	Rear⑥	Front③	Rear⑤	
	×	×	×	—	—	—
	×	×	×	×	×	—
	—	×	—	×	×	×
	—	×	—	×	×	×

MODE/DEF position indication	AIR OUTLET					
	Ventilator			Foot		Defroster④
	Center①	Side②	Rear⑥	Front③	Rear⑤	
	—	×	×	—	×	×

Sample

SEC. 270



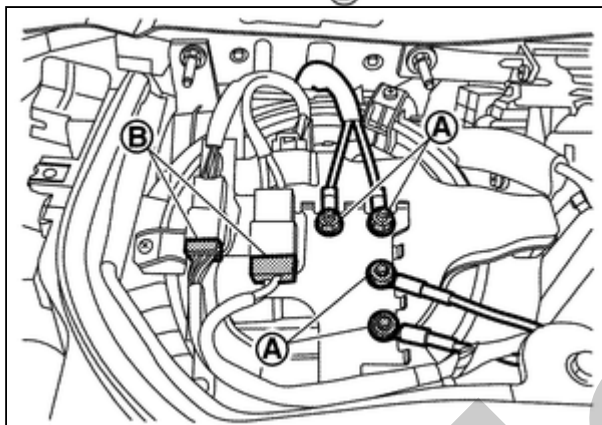
RDE-001930957-01-000375489

①	Sub harness bracket	②	A/C unit assembly	③	Blower motor
---	---------------------	---	-------------------	---	--------------

REMOVAL

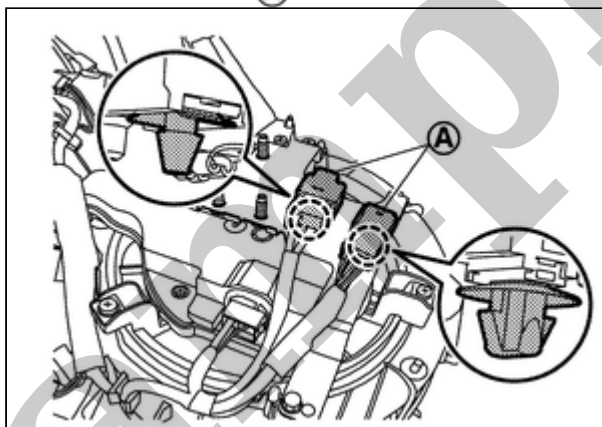
1 Remove A/C unit assembly top cover. Refer to [Removal & Installation](#).

2 Remove harness fixing nuts (A) and disconnect harness connectors (B).




RPR-001930958-06-000375492

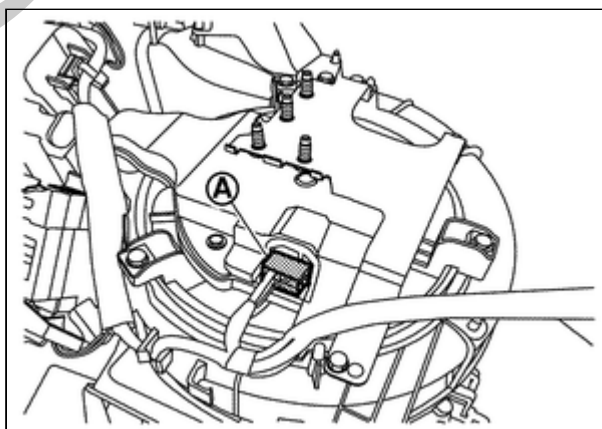
3 Disengage fixing clips, and then remove harness connectors (A).



RPR-001930958-03-000375497

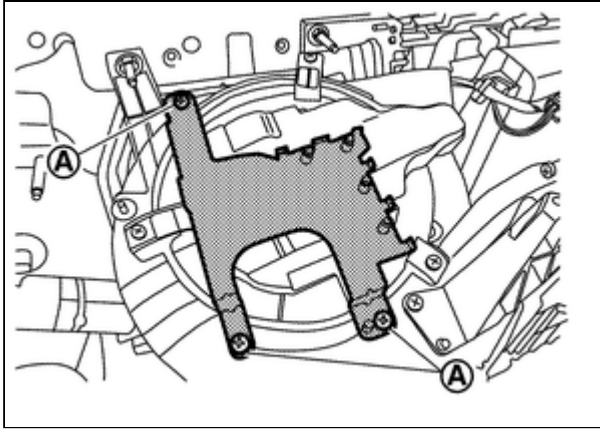
	: Clip
--	--------

4 Disconnect harness connector (A).



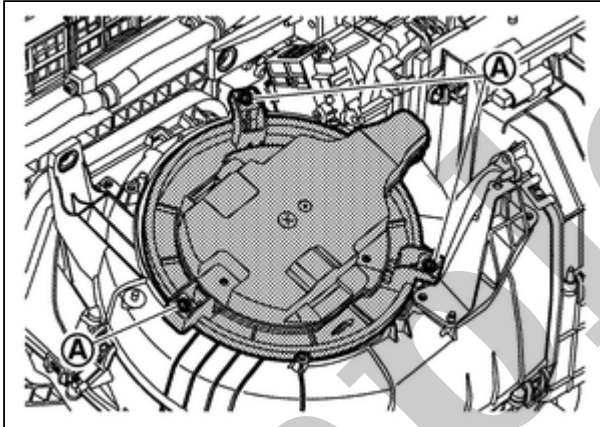
RPR-001930958-04-000375495

5 Remove fixing screws (A), and then remove sub harness bracket.



RPR-001930958-01-000375496

6 Remove fixing screws (A), and then remove blower motor.



RPR-001930958-02-000375491

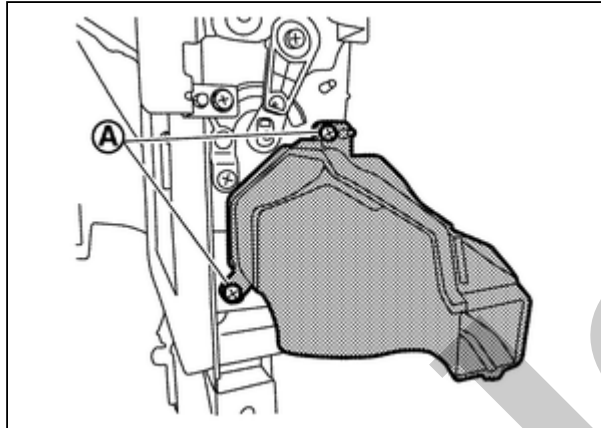
INSTALLATION

Install in the reverse order of removal.

REMOVAL

Front foot duct LH

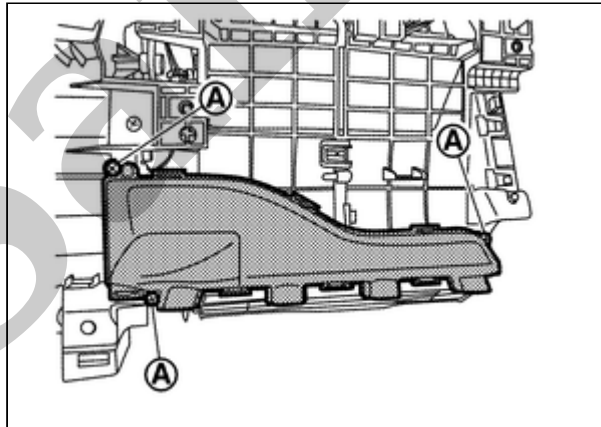
Remove fixing screws (A), and then remove front foot duct LH.



RPR-001930952-01-000375476

Front foot duct RH

- 1 Remove center box / flexible center storage. Refer to [Removal & Installation](#).
- 2 Disengage harness clip.
- 3 Remove fixing screws (A), and then remove front foot duct RH.



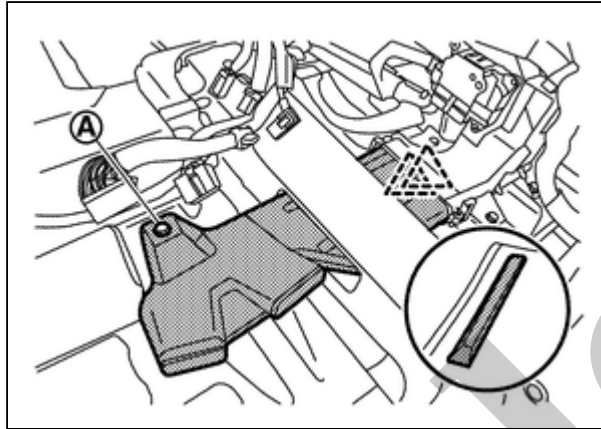
RPR-001930952-02-000375478

INSTALLATION

Install in the reverse order of removal.

REMOVAL

- 1 Remove center console body assembly. Refer to [Removal & Installation](#).
- 2 Peel off front floor carpet to secure work space. Refer to [Removal & Installation](#).
- 3 Remove mounting bolt (A) and disengage fixing pawls, and then remove rear floor duct.



RPR-001930954-01-000354694

	: Pawl
--	--------

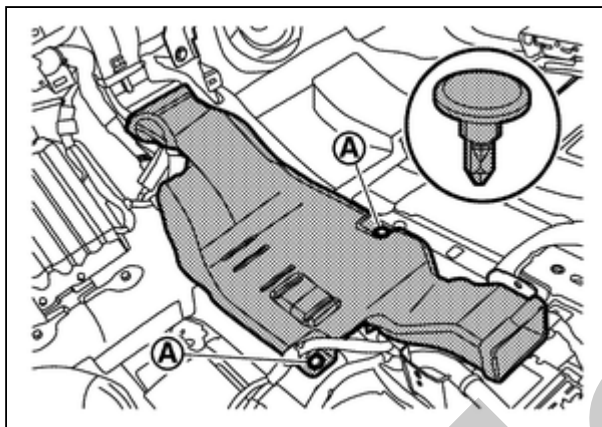
INSTALLATION

Install in the reverse order of removal.

REMOVAL

1 Remove rear ventilator duct. Refer to [Removal & Installation](#).

2 Disengage fixing clips (A), and then remove front floor duct 2.



RPR-001930953-01-000354689

3 Disengage fixing pawls, and then remove front floor duct 1.



RPR-001930953-02-000354693



: Pawl

INSTALLATION

Install in the reverse order of removal.