

Your Ultimate Source for OEM Repair Manuals

FactoryManuals.net is a great resource for anyone who wants to save money on repairs by doing their own work. The manuals provide detailed instructions and diagrams that make it easy to understand how to fix a vehicle.

2023 NISSAN Qashqai Service and Repair Manual

[Go to manual page](#)

2. Turn power switch OFF.

3. Replace driver monitor camera. Refer to [Removal and Installation](#).

4. Perform DTC confirmation procedure again.

Is DTC B2A54-87 detected?

YES>>

Replace driver monitor camera control unit. Refer to [Removal and Installation](#).

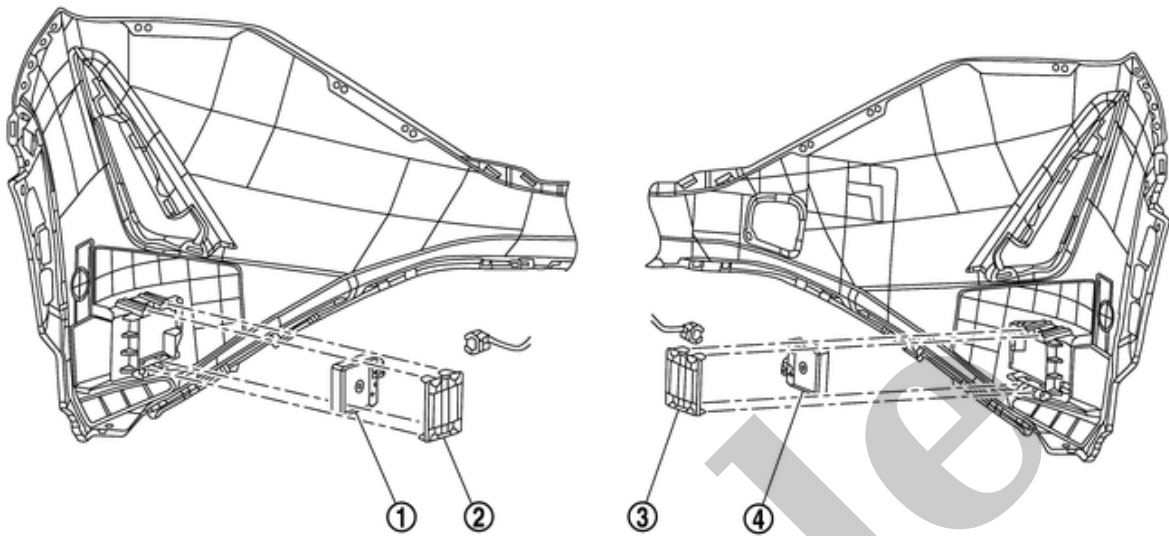
NO>>

INSPECTION END

Sample

SIDE RADAR FRONT

SEC. 253

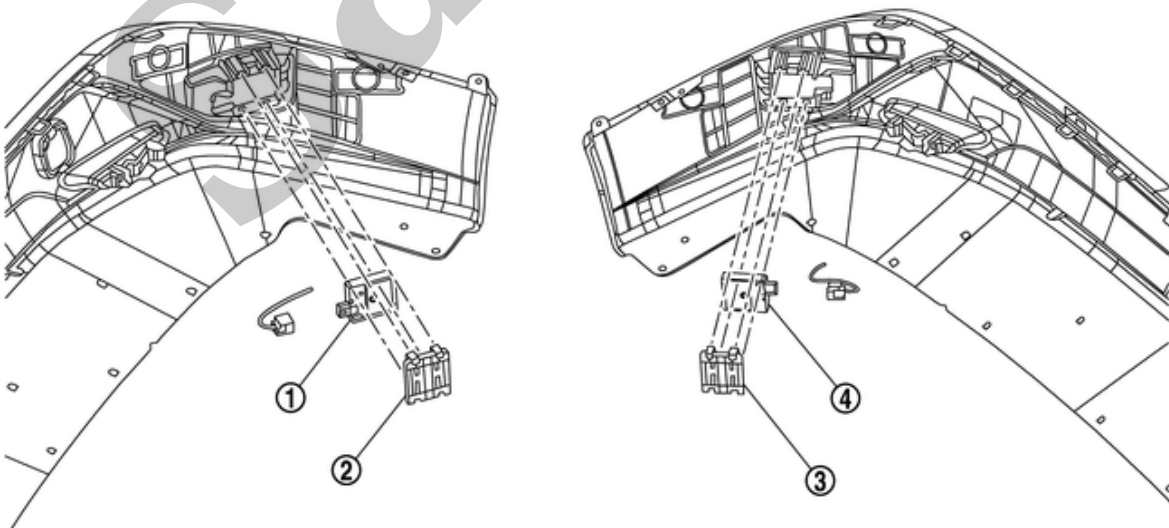


RPR-001899116-01-000365141

①	Side radar front LH	②	Side radar front LH bracket cover	③	Side radar front RH bracket cover
④	Side radar front RH				

SIDE RADAR REAR

SEC. 253



RPR-001899116-02-000365143

①	Side radar rear LH	②	Side radar rear LH bracket cover	③	Side radar rear RH bracket cover
④	Side radar rear RH				

CAUTION:

- For repair and mending of irradiation area of side radar, be careful the following.
 - Do not leave cracks, scratches and deformations in the side radar irradiation area.
 - Never affix a sticker (including transparent one) or install an accessory to the detecting range of side radar.
 - Since it affects side radar performance, there are some restrictions on the various construction on rear bumper of the vehicle equipped with side radar. Refer to [Work Procedure](#) (Front bumper) or [Work Procedure](#) (Rear bumper) for detailed information.
- Do not use the side radar if the lens has flaws.
- Perform side radar alignment every time the side radar is removed and installed. Refer to [Work Procedure](#).



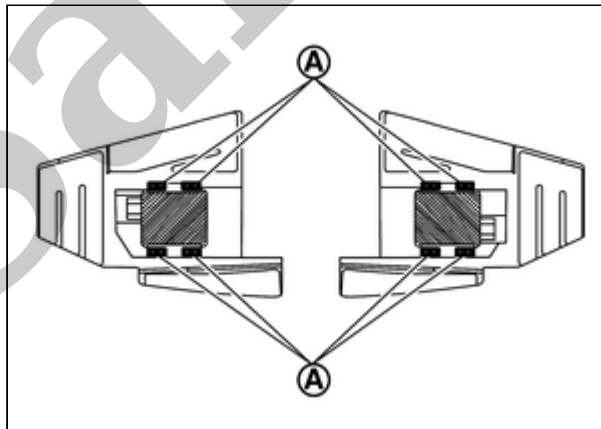
NOTE:

- Always lock the side radar connector.
- Do not touch the side radar lens and keep lens area clean.

SIDE RADAR FRONT

REMOVAL

- 1 Remove front bumper fascia. Refer to [Removal & Installation](#).
- 2 Press the pawls (A) and remove the side radar.



RPR-001899121-01-000365142

- 3 Remove the side radar from the side radar bracket.
- 4 Disconnect the harness connector from the side radar.

INSTALLATION

Installation is in the reverse order of removal.

CAUTION:

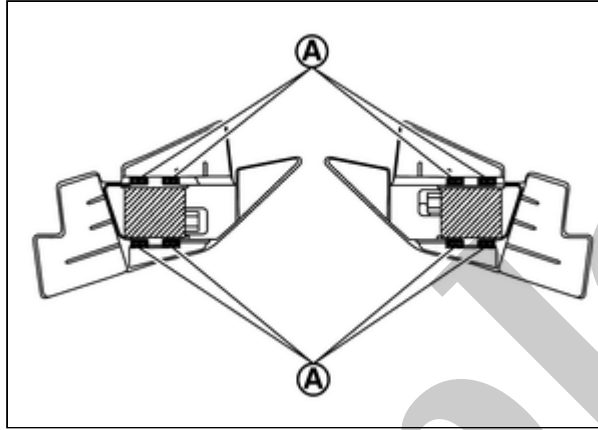
- If the side radar is removed, perform "SIDE RADAR ALIGNMENT". Refer to [Work Procedure](#).

- If side radar is being replaced or has been disconnected, perform "ADDITIONAL SERVICE WHEN REPLACING SIDE RADAR". Refer to [Work Procedure](#).

SIDE RADAR REAR

REMOVAL

- 1 Remove rear bumper fascia. Refer to [Removal & Installation](#).
- 2 Press the pawls **A** and remove the side radar.



RPR-001899121-02-000365144

- 3 Remove the side radar from the side radar bracket.
- 4 Disconnect the harness connector from the side radar.

INSTALLATION

Installation is in the reverse order of removal.

CAUTION:

- If the side radar is removed, perform "SIDE RADAR ALIGNMENT". Refer to [Work Procedure](#).
- If side radar is being replaced or has been disconnected, perform "ADDITIONAL SERVICE WHEN REPLACING SIDE RADAR". Refer to [Work Procedure](#).

REMOVAL

Remove the glass mirror. Refer to [Removal & Installation](#).



NOTE:

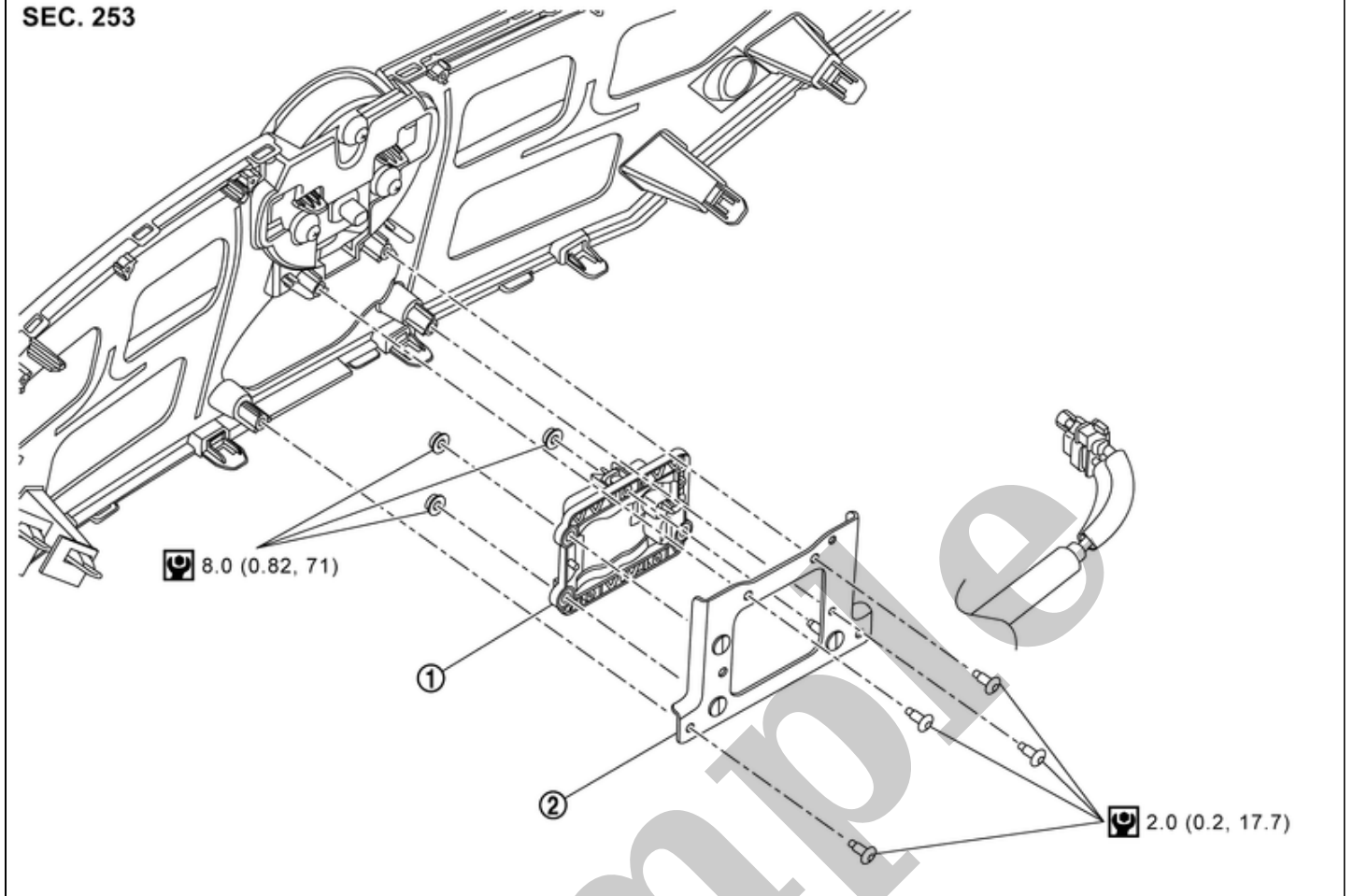
Replace the glass mirror if you need to replace the BSW indicator.

INSTALLATION


Installation is in the reverse order of removal.

Sample

SEC. 253

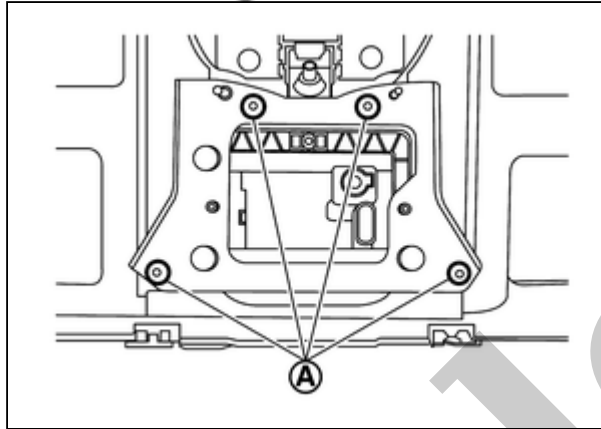


RDE-001899103-01-000365138

①	Distance sensor	②	Distance sensor bracket		
	: N·m (kg-m, in-lb)				

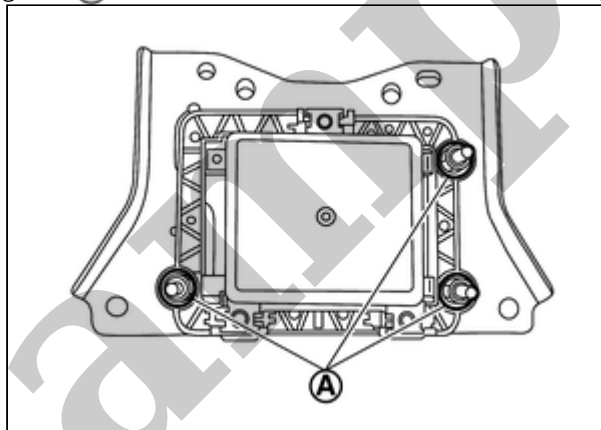
REMOVAL

- 1 Remove front grille upper. Refer to [Removal & Installation](#).
- 2 Disconnect the harness connector from the distance sensor.
- 3 Mounting the distance sensor bracket Remove the screws (A) and remove the distance sensor bracket from the front grill.



RPR-001899102-06-000365139

- 4 Remove the distance sensor mounting nuts (A) and remove the distance sensor.



RPR-001899102-05-000365140

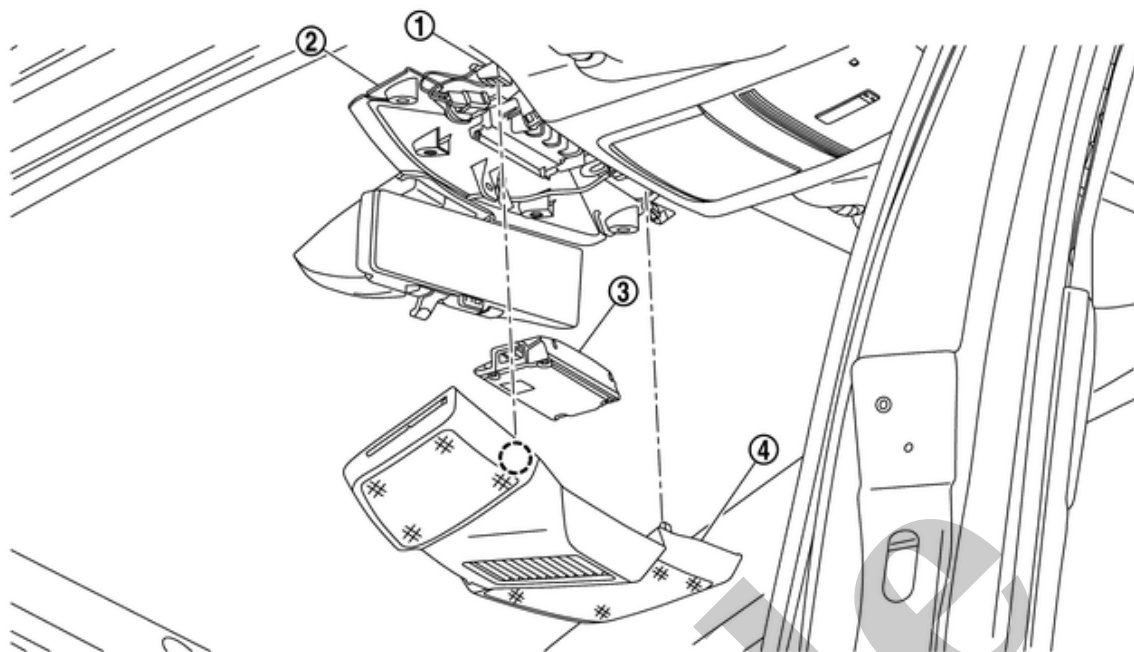
INSTALLATION

Installation is in the reverse order of removal.

CAUTION:

- If remove the distnace sensor, perform "DISTANCE SENSOR ADJUSTMENT". Refer to [Work Procedure](#).
- If distance sensor is being replaced or has been disconnected, perform "ADDITIONAL SERVICE WHEN REPLACING DISTANCE SENSOR". Refer to [Work Procedure](#). Refer to [Work Procedure](#).

SEC. 280

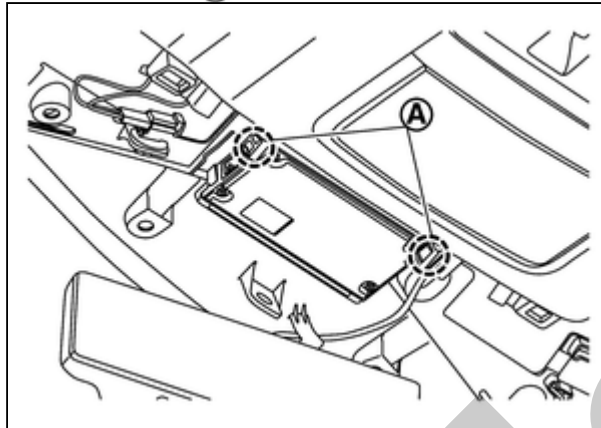


RDE-001932428-01-000365129

①	Front camera unit bracket	②	Front camera unit cover bracket	③	Front camera unit
④	Front camera unit cover				
⊖	Clip				

REMOVAL

- 1 Remove the clip from the outside of the front camera unit cover, and remove the clip inside.
- 2 While supporting the front camera unit, open the pawls **A** one by one with an appropriate tool and remove the front camera unit.



RPR-001932427-01-000365130

INSTALLATION

Installation is in the reverse order of removal.

CAUTION:

- Do not touch or shock the front camera unit lens area or drop the front camera unit.
- To operate the system normally, perform the following operations when the front camera unit is replaced or removed.
 - Be sure to perform "ADDITIONAL SERVICE WHEN REPLACING FRONT CAMERA UNIT" when replacing front camera unit. Refer to [Work Procedure](#).
 - Perform camera aiming every time the front camera unit is removed and installed. Refer to [Work Procedure](#).