

Your Ultimate Source for OEM Repair Manuals

FactoryManuals.net is a great resource for anyone who wants to save money on repairs by doing their own work. The manuals provide detailed instructions and diagrams that make it easy to understand how to fix a vehicle.

2023 Jeep Grand Cherokee Service and Repair Manual

[Go to manual page](#)

YOUR CURRENT VEHICLE

Module-Rear View Camera

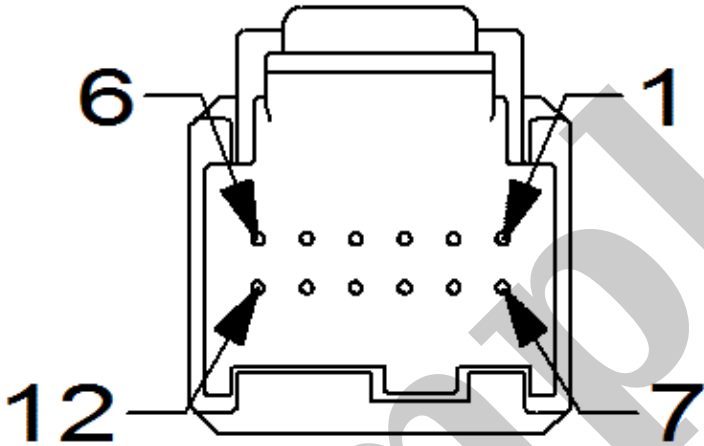
MODULE-REAR VIEW CAMERA

MODULE No:D340A		Option:Standard
Connector Details		Harness Family
Color	BLACK	
Part Number	59K24K-102A4-A	CHMSL_Jumper
Repair Kit Part Number	See StarParts	CHMSL_Jumper
Part Description		CHMSL_Jumper
Cavity Count	1	CHMSL_Jumper
Location View	Location View	CHMSL_Jumper

Connector Views

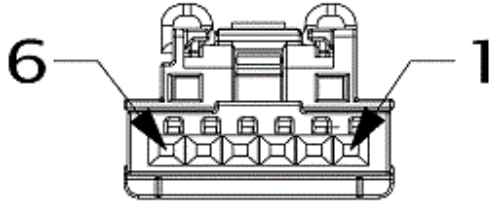
Mating Side:

Connector Views



Isometric View:

Connector Views

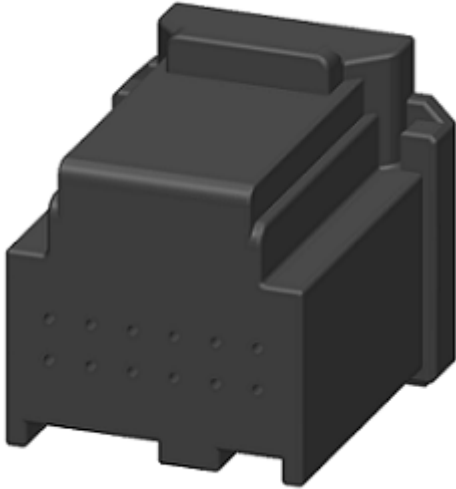


Isometric View:

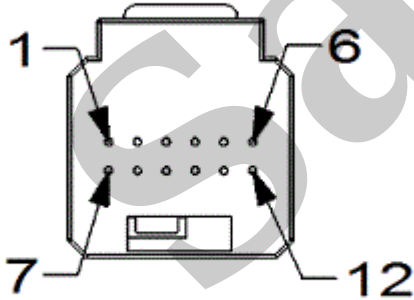


Wire Insertion Side:

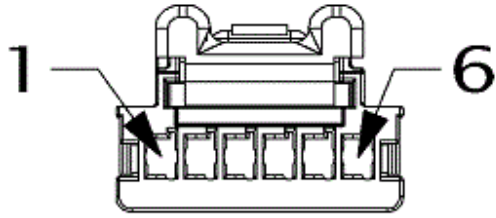
Connector Views



Wire Insertion Side:

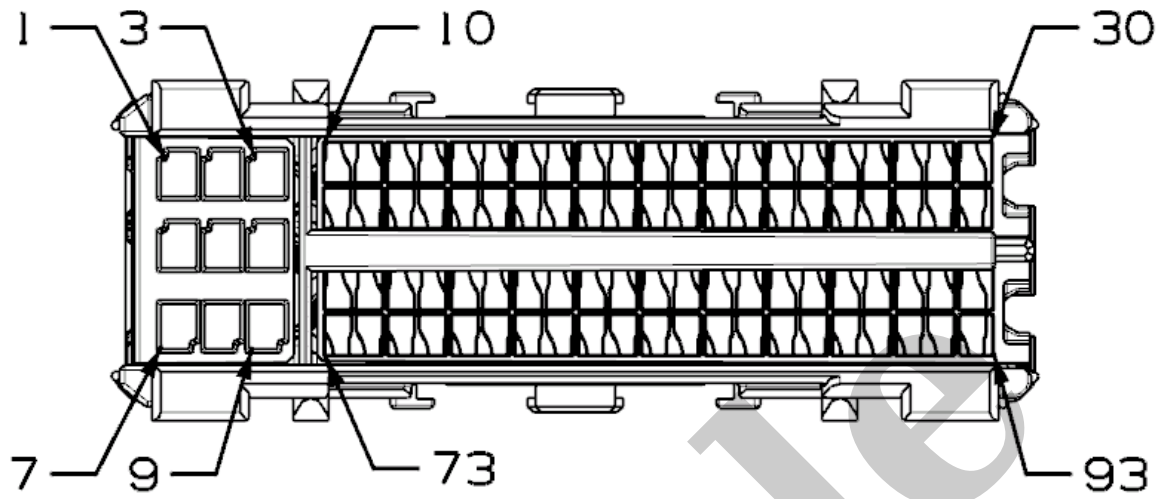


Connector Views



Pin	Circuit	Circuit Function	Color	Gauge/Size	Option
SEAT_BACK_PASSENGER					
1	A356	FUSED B(+)	RD	0.50	
2	D910	LIN BUS	WH	0.35	
3	N0	NO CONNECT	NA	0	
4	N0	NO CONNECT	NA	0	
5	N0	NO CONNECT	NA	0	
6	Z920	GROUND	BK	0.50	

Connector Views



Pin	Circuit	Circuit Function	Color	Gauge/Size	Option
IP					
1	A391	FUSED B(+)	RD	0.35	
2	N0	NO CONNECT	NA	0	
3	Z915	GROUND	BK	0.50	
4	N0	NO CONNECT	NA	0	
5	N0	NO CONNECT	NA	0	
6	Z915	GROUND	BK	0.50	
7	F949	FUSED IGNITION	PK	0.50	
8	N0	NO CONNECT	NA	0	
9	D890	ETHERNET ENABLE	WH	0.35	

Pin	Circuit	Circuit Function	Color	Gauge/Size	Option
76	D375	CAN IHS (-) AT	WH	0.35	
77	D376	CAN IHS (+) AT	GN	0.35	
78	D293	DIAGNOSTIC CAN FD (-)	BG	0.35	
79	D290	DIAGNOSTIC CAN FD (+)	GN	0.35	
80	D289	DIAGNOSTIC CAN FD (-)	BG	0.35	
81	D288	DIAGNOSTIC CAN FD (+)	DG	0.35	
82	N0	NO CONNECT	NA	0	
83	N0	NO CONNECT	NA	0	
84	N0	NO CONNECT	NA	0	
85	D281	CAN FD (-)	BG	0.35	
86	D280	CAN FD (+)	BN	0.35	
87	N0	NO CONNECT	NA	0	
88	D367	CAN IHS (-)	WH	0.35	
89	D368	CAN IHS (+)	DB	0.35	
90	N0	NO CONNECT	NA	0	
91	N0	NO CONNECT	NA	0	
92	N0	NO CONNECT	NA	0	
93	N0	NO CONNECT	NA	0	

Pin	Cicuit	Cicuit Function	Color	Gauge/Size	Option
9	R45	LINE 1	GN	0.75	
10	R61	LINE 2	GN	0.75	
11	R63	LINE 1	DB	0.75	
12	N0	NO CONNECT	NA	0	EXPORT
12	R67	LINE 2	GY	0.75	EXCEPT EXPORT
13	N0	NO CONNECT	NA	0	EXPORT
13	R69	LINE 1	GN	0.75	EXCEPT EXPORT
14	N0	NO CONNECT	NA	0	

Sample

Pin	Circuit	Circuit Function	Color	Gauge/Size	Option
10	T831	RETURN	BN	0.50	PADDLE SHIFT
11	C975	SENSOR RETURN	BU	0.35	HEATED STEERING WHEEL
11	N0	NO CONNECT	NA	0	EXCEPT HEATED STEERING WHEEL
12	C974	TEMP SIGNAL	BU	0.35	HEATED STEERING WHEEL
12	N0	NO CONNECT	NA	0	EXCEPT HEATED STEERING WHEEL
13	X3	HORN SWITCH SENSE	DG	0.35	
14	N0	NO CONNECT	NA	0	
15	N0	NO CONNECT	NA	0	
16	N0	NO CONNECT	NA	0	

Sample