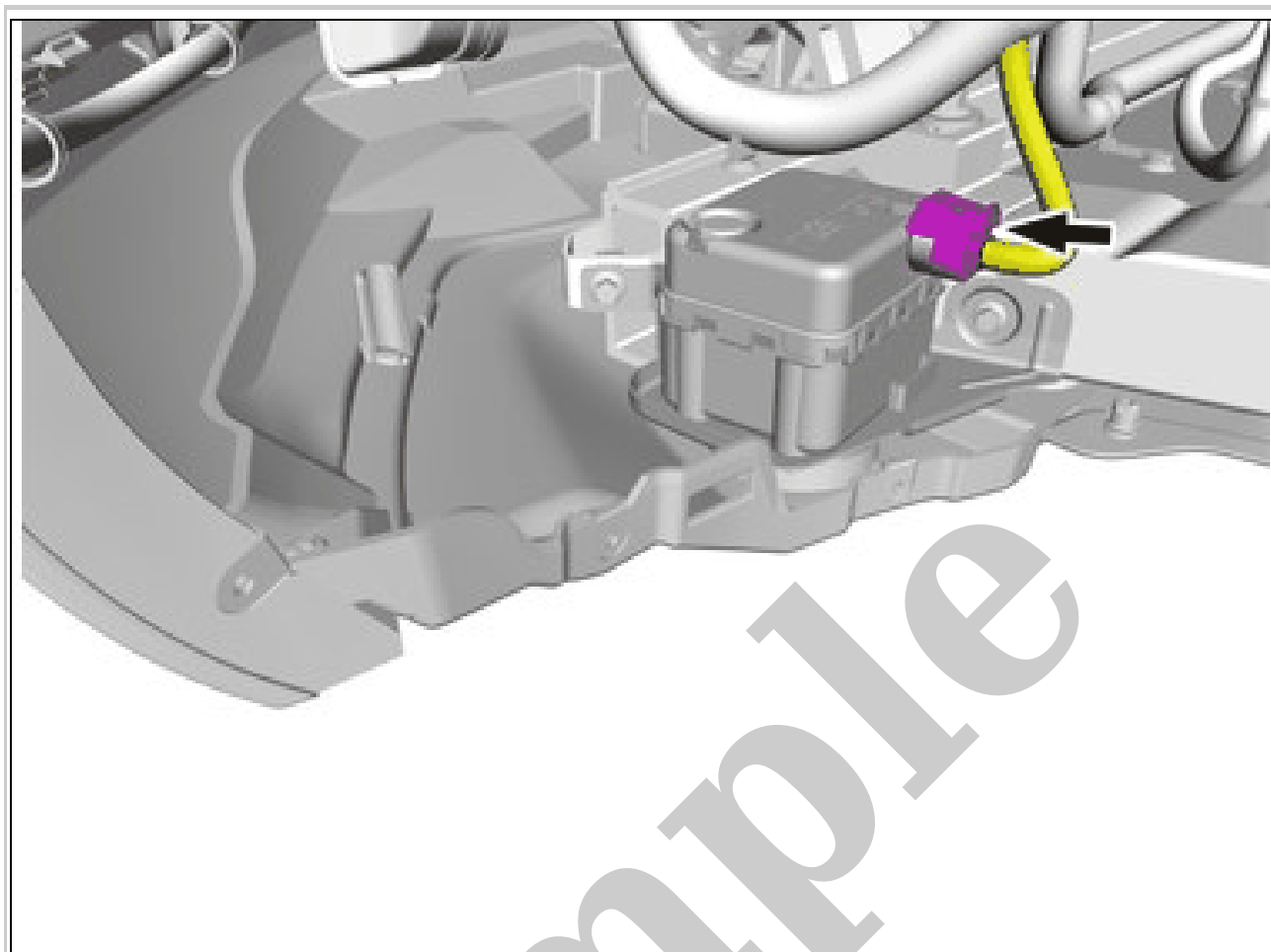


Your Ultimate Source for OEM Repair Manuals

FactoryManuals.net is a great resource for anyone who wants to save money on repairs by doing their own work. The manuals provide detailed instructions and diagrams that make it easy to understand how to fix a vehicle.

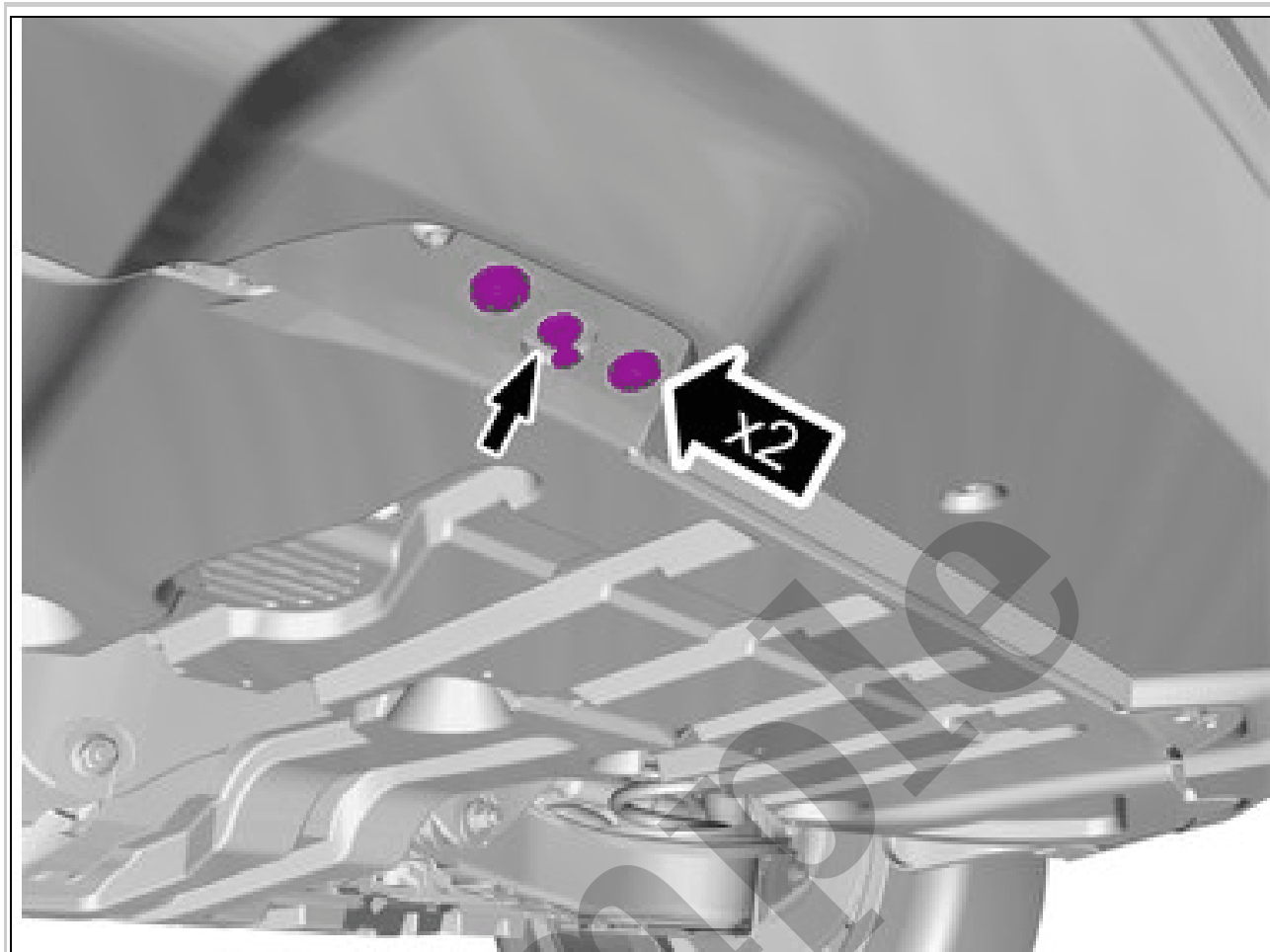
Volvo XC90 2022 Manual - Complete Service & Repair

[Go to manual page](#)



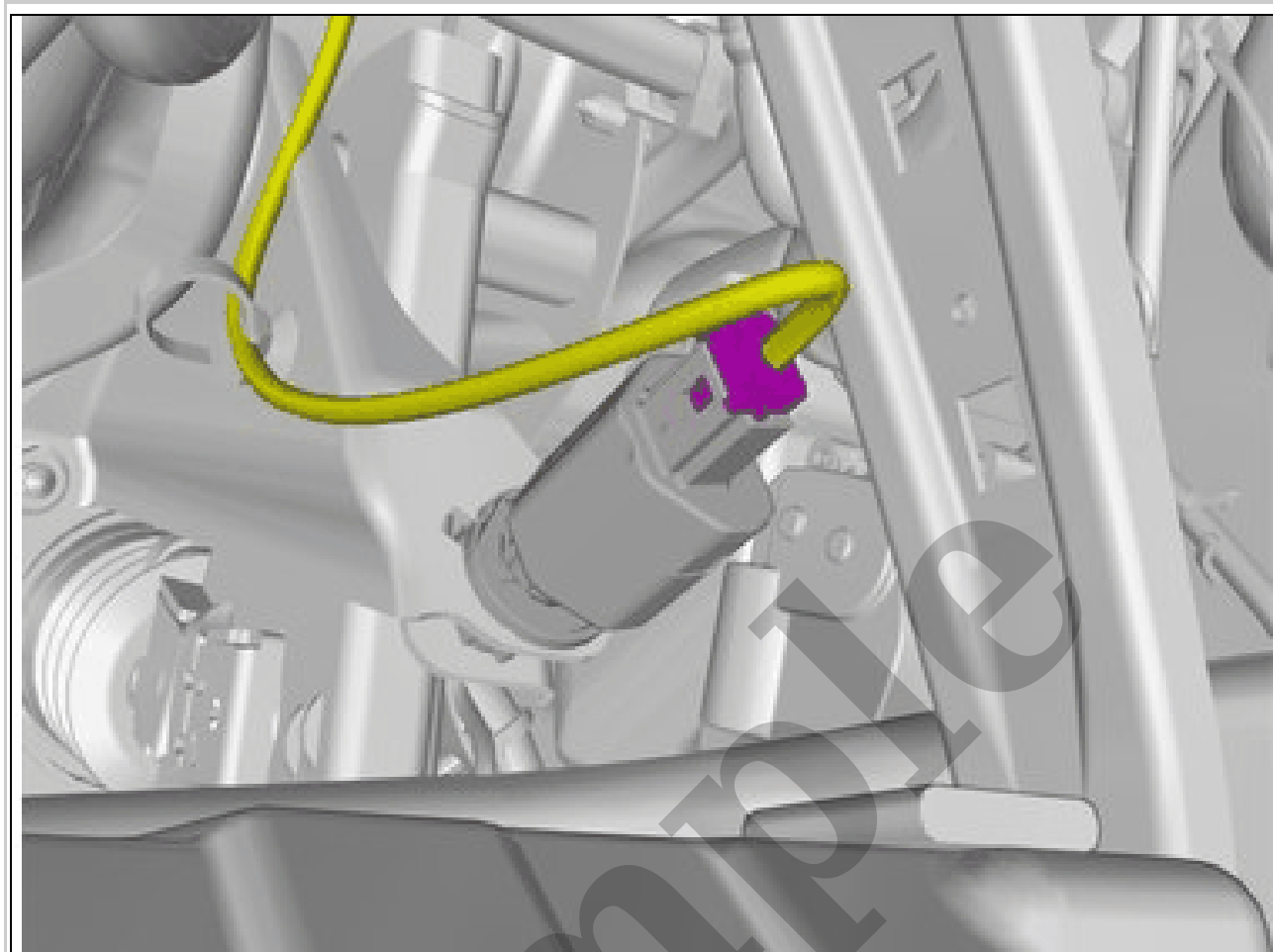
Courtesy of VOLVO CARS CORPORATION

Disconnect the connector.



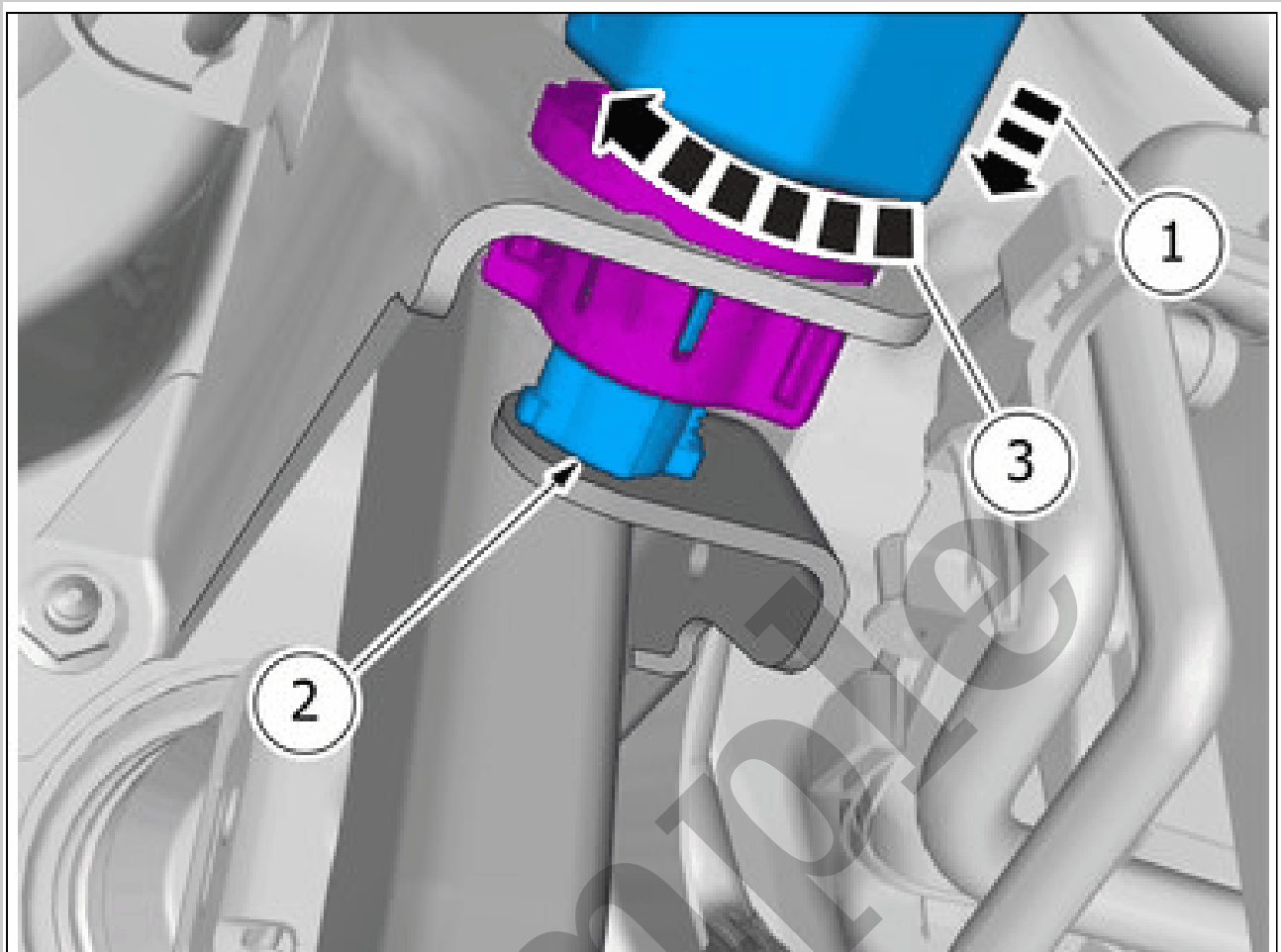
Courtesy of VOLVO CARS CORPORATION

Remove the clip.
Remove the screws.
Repeat on the other side.



Courtesy of VOLVO CARS CORPORATION

Disconnect the connector.



Courtesy of VOLVO CARS CORPORATION

1. Install the marked component.

NOTE: Ensure that the component is in contact with the surface, with no space.

- 2.
3. Turn in direction of arrow until stop.



Courtesy of VOLVO CARS CORPORATION

Remove the screw.
Remove the marked part.
Torque: M6, 10Nm

ACCELERATION SENSOR VERTICAL MOTION REAR > ACCELERATION SENSOR VERTICAL MOTION REAR [2019-2022] > INSTALLATION

To install, reverse the removal procedure.

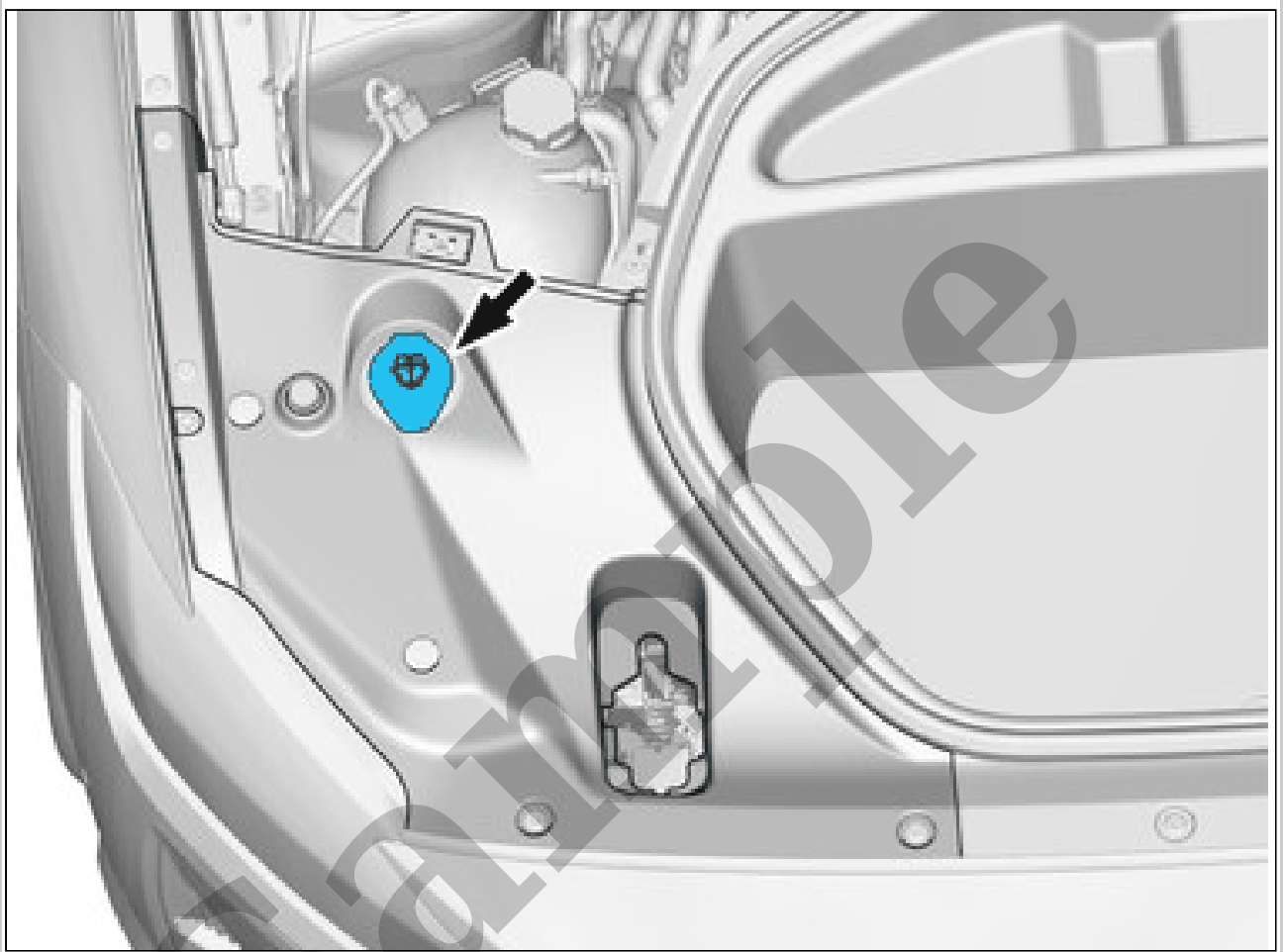
ACCELEROMETER AND YAW ANGLE SENSOR > ACCELEROMETER AND YAW ANGLE SENSOR [2018-2022] > REMOVAL

NOTE: Removal steps in this procedure may contain installation details.

Remove relevant side wheel. Refer to: WHEELS

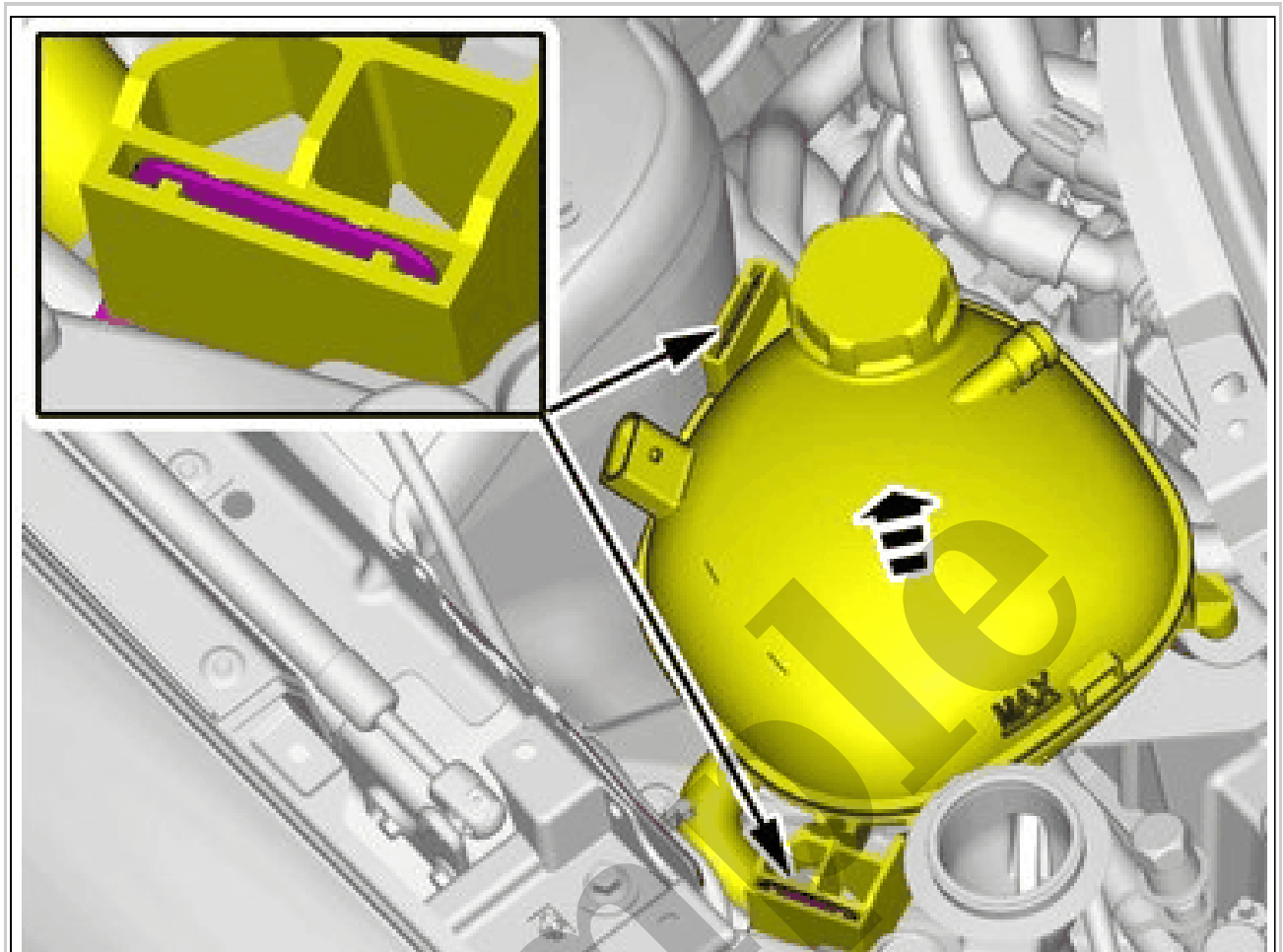
COOLANT LEVEL SENSOR, ELECTRIC DRIVETRAIN > COOLANT LEVEL SENSOR, ELECTRIC DRIVETRAIN [2021-2022, E400V6] > REMOVAL

Drain cooling system electric powertrain, draining, filling, and bleeding. Refer to: ELECTRIC DRIVETRAIN COOLING SYSTEM, DRAINING, FILLING, AND BLEEDING



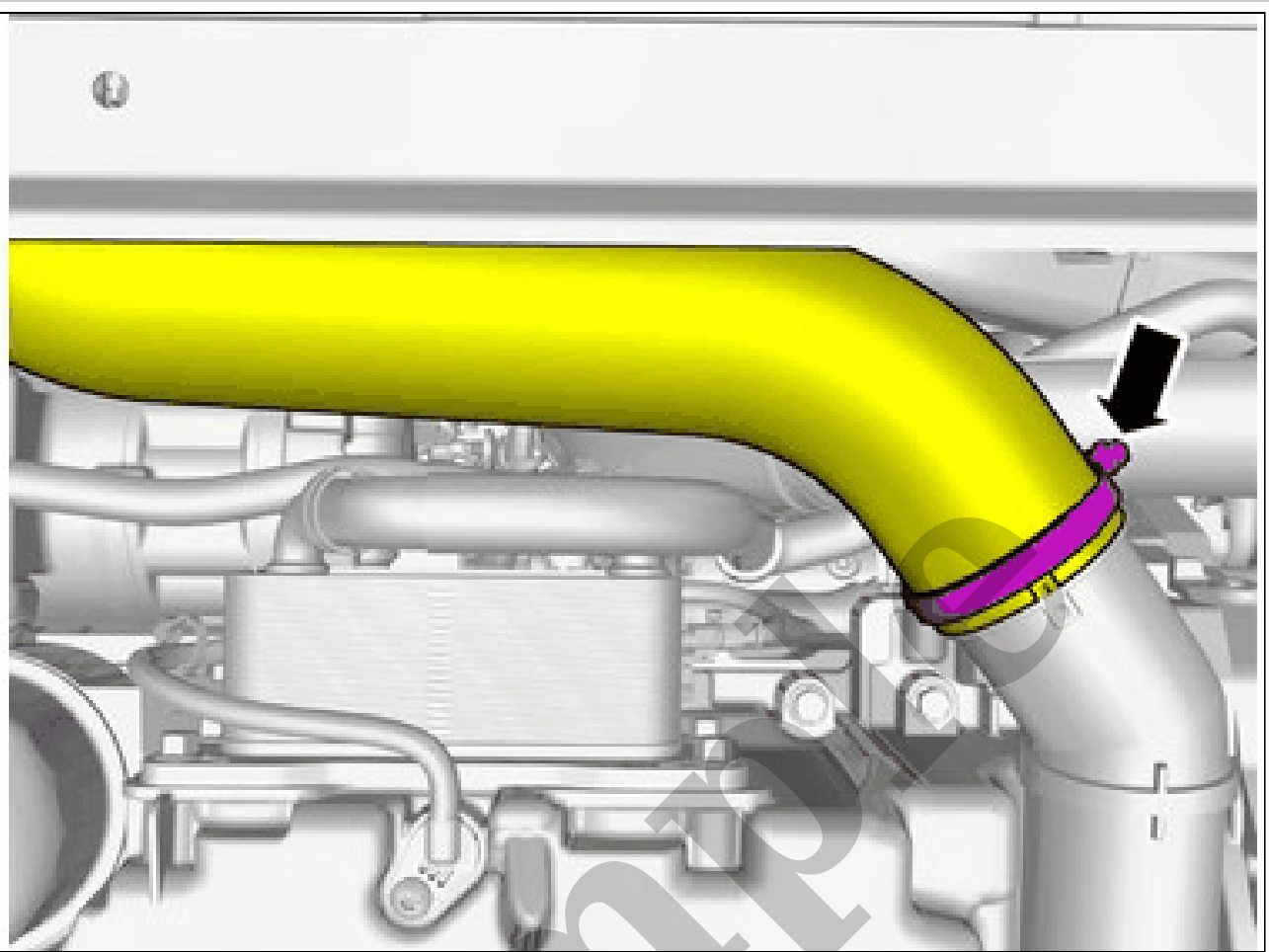
Courtesy of VOLVO CARS CORPORATION

Remove the marked part.



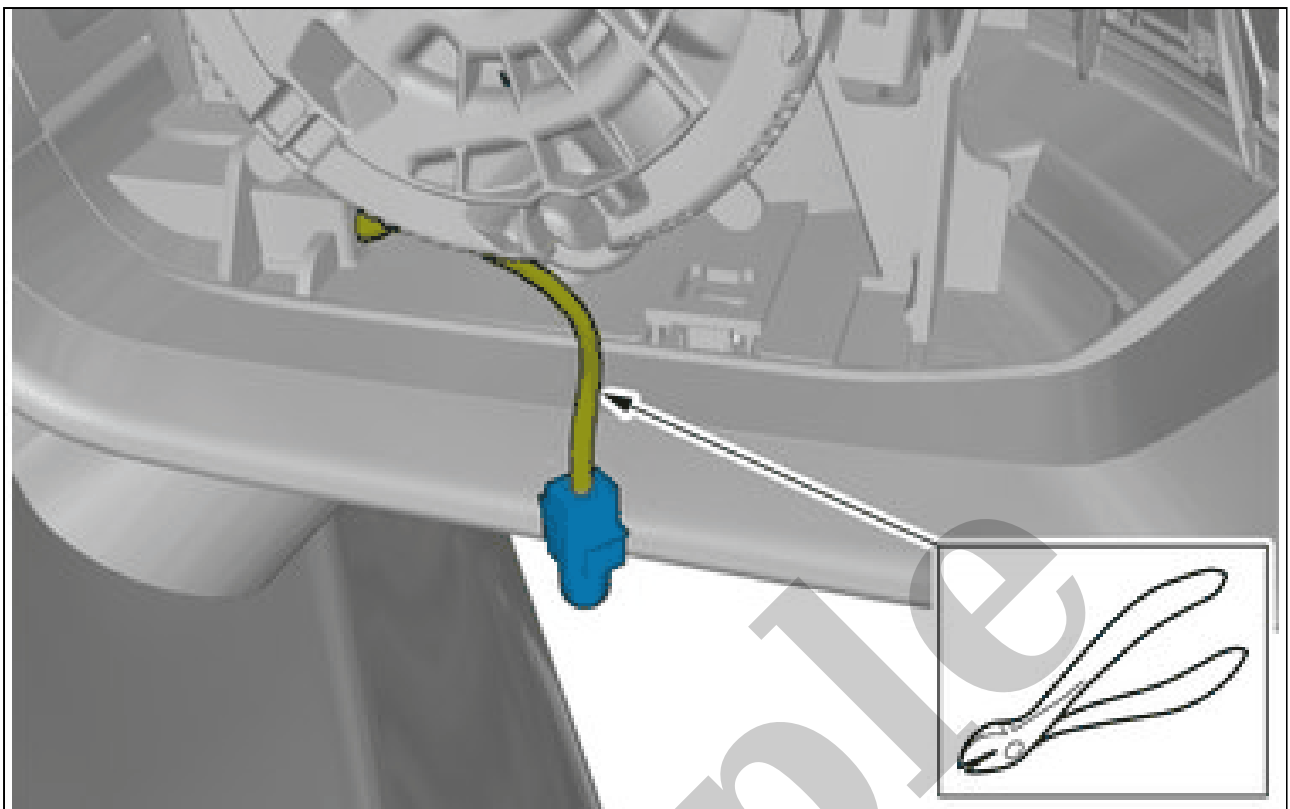
Courtesy of VOLVO CARS CORPORATION

Lift the marked component up



Courtesy of VOLVO CARS CORPORATION

Loosen the hose clamp.
Loosen the component indicated. Do not remove it.



Courtesy of VOLVO CARS CORPORATION

Carry out splicing of wire. Refer to: JOINING CABLES

OUTSIDE TEMPERATURE SENSOR > OUTSIDE TEMPERATURE SENSOR [2018-2022] > INSTALLATION

To install, reverse the removal procedure.

POSITION SENSOR, WHEEL SUSPENSION FRONT > POSITION SENSOR, WHEEL SUSPENSION FRONT [2018-2022] > REMOVAL

NOTE: *Removal steps in this procedure may contain installation details.*

Set the vehicle to Inactive mode, described in user mode. Refer to: USAGE MODE
Remove relevant side wheel. Refer to: WHEELS