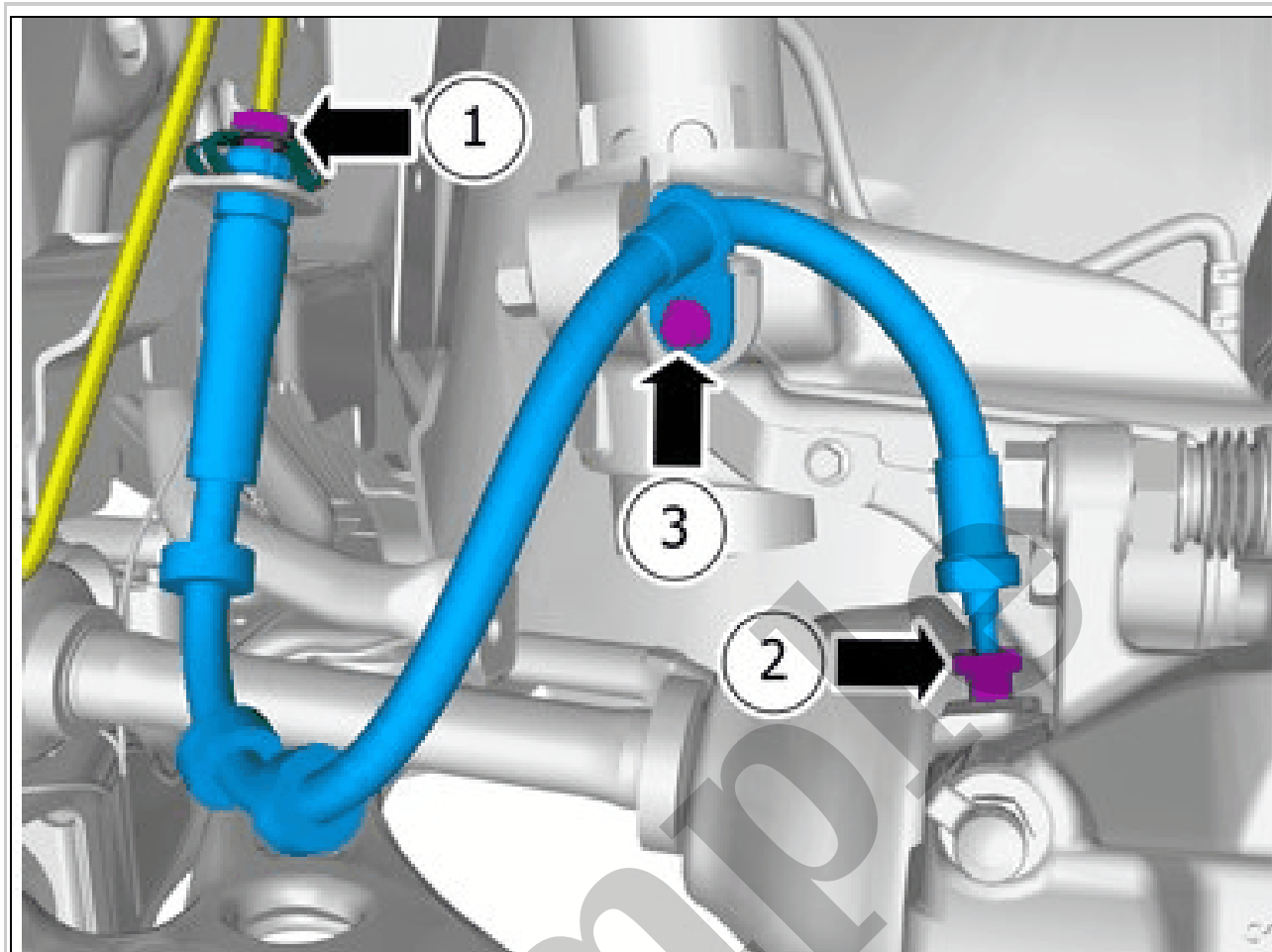


Your Ultimate Source for OEM Repair Manuals

FactoryManuals.net is a great resource for anyone who wants to save money on repairs by doing their own work. The manuals provide detailed instructions and diagrams that make it easy to understand how to fix a vehicle.

2022 Volvo XC60 Service and Repair Manual

[Go to manual page](#)



Courtesy of VOLVO CARS CORPORATION

Detach the following items:

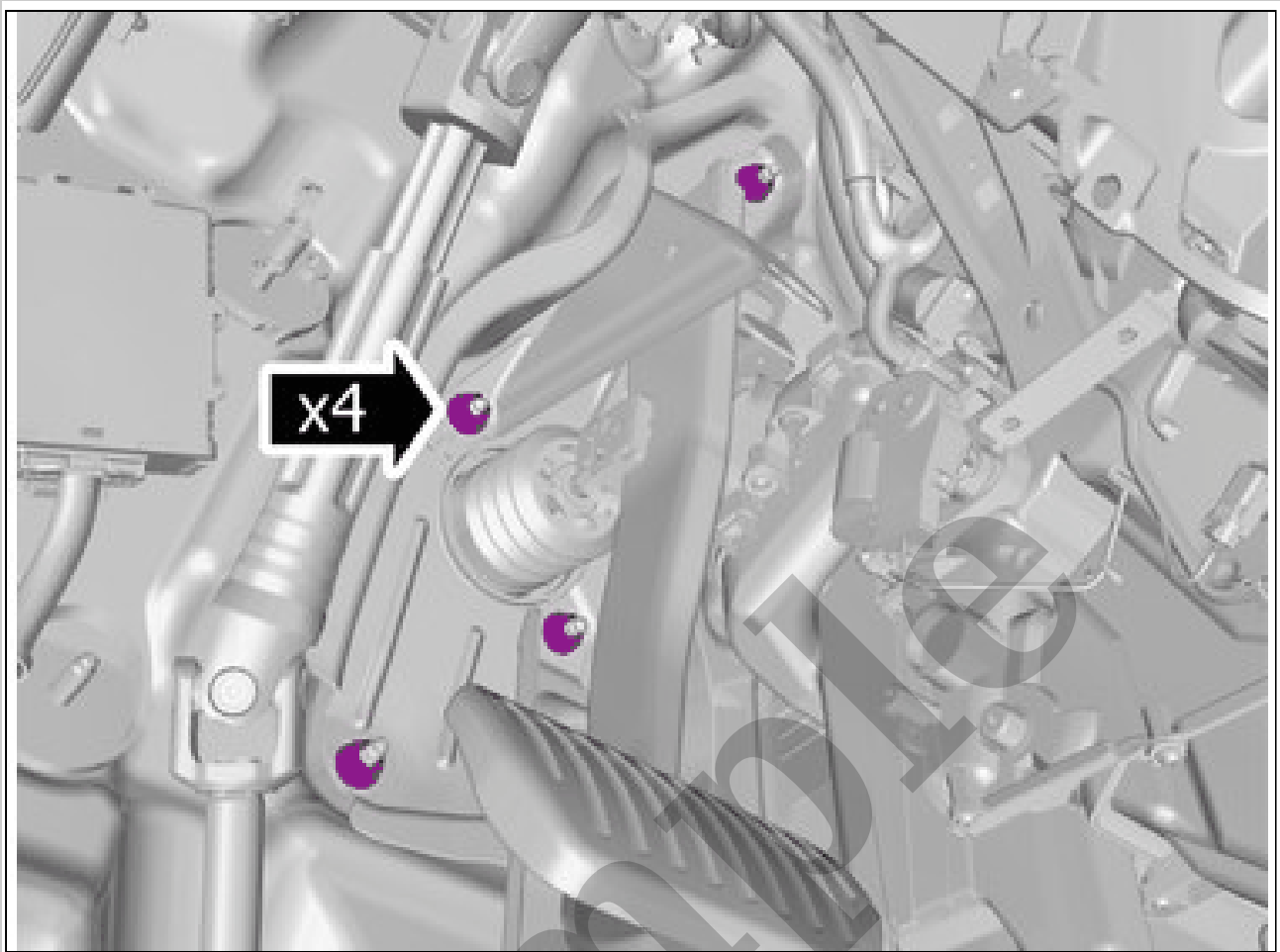
1. **Torque:** Ø6 mm diameter brake line, 14Nm
2. **Torque:** Brake hose to front brake caliper, 17Nm
3. **Torque:** M5, 5Nm

FRONT BRAKE FLEXIBLE HOSE > FRONT BRAKE FLEXIBLE HOSE [2018-2022] > INSTALLATION

To install, reverse the removal procedure.

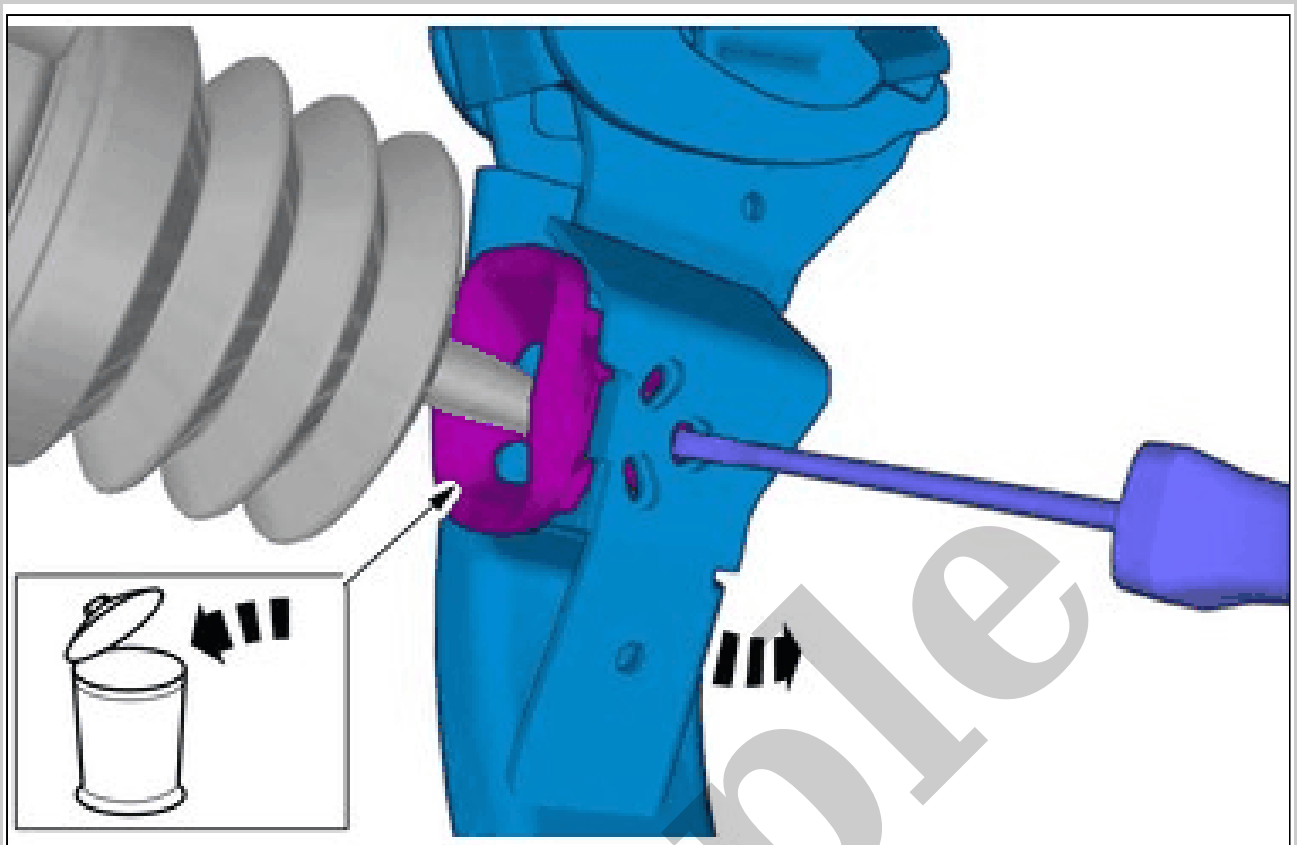
WARNING: *Make sure that the brake hose is not twisted and is correctly located.*

Perform bleeding air brake system. Refer to: BRAKE SYSTEM BLEEDING



Courtesy of VOLVO CARS CORPORATION

Remove the nuts.
Torque: M8, 24Nm



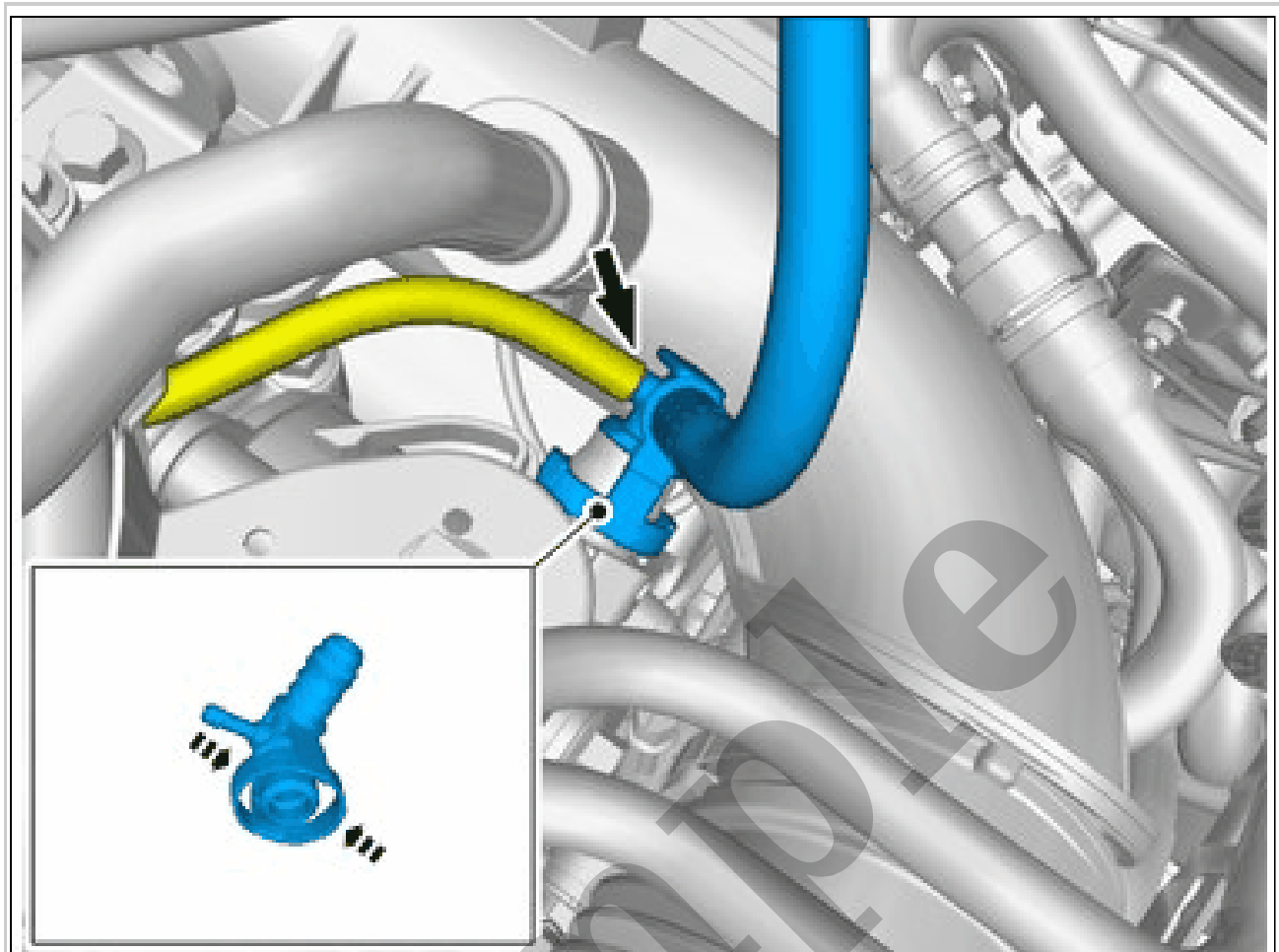
Courtesy of VOLVO CARS CORPORATION

NOTE: Make sure that a new component is installed.

Remove the clip.

BUSHING PUSH ROD > BUSHING PUSH ROD [2018-2020] > INSTALLATION

To install, reverse the removal procedure.



Courtesy of VOLVO CARS CORPORATION

Undo the hose from the connection.
Depress the locking device.
Remove the marked part.

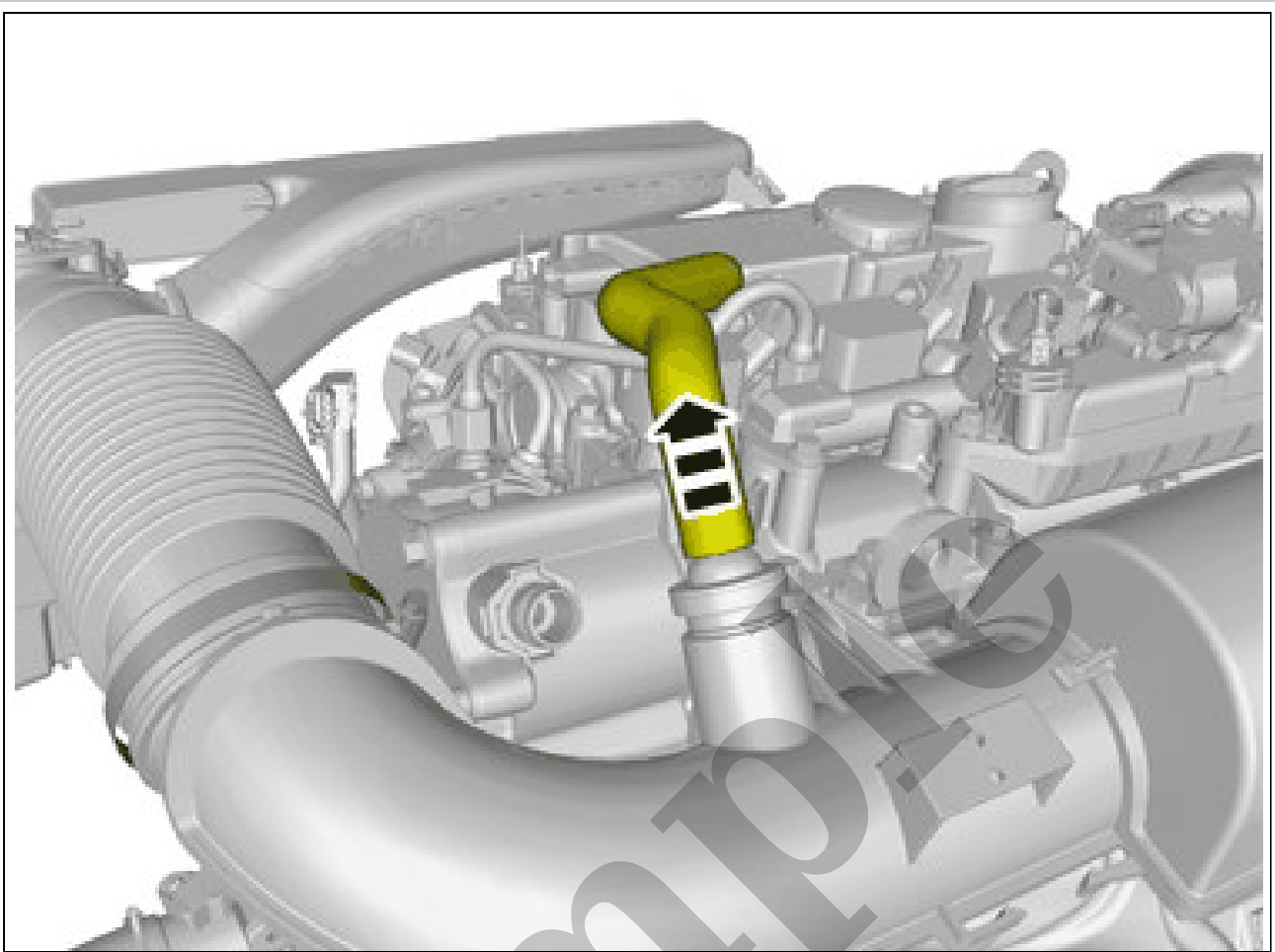
BRAKE BOOSTER VACUUM HOSE > BRAKE BOOSTER VACUUM HOSE [2018-2022, B4204T18 | 2019-2022, B4204T47] > INSTALLATION

To install, reverse the removal procedure.

VACUUM PUMP, BRAKE BOOSTER > VACUUM PUMP, BRAKE BOOSTER [2018-2022, B4204T18 | 2019-2022, B4204T47] > REMOVAL

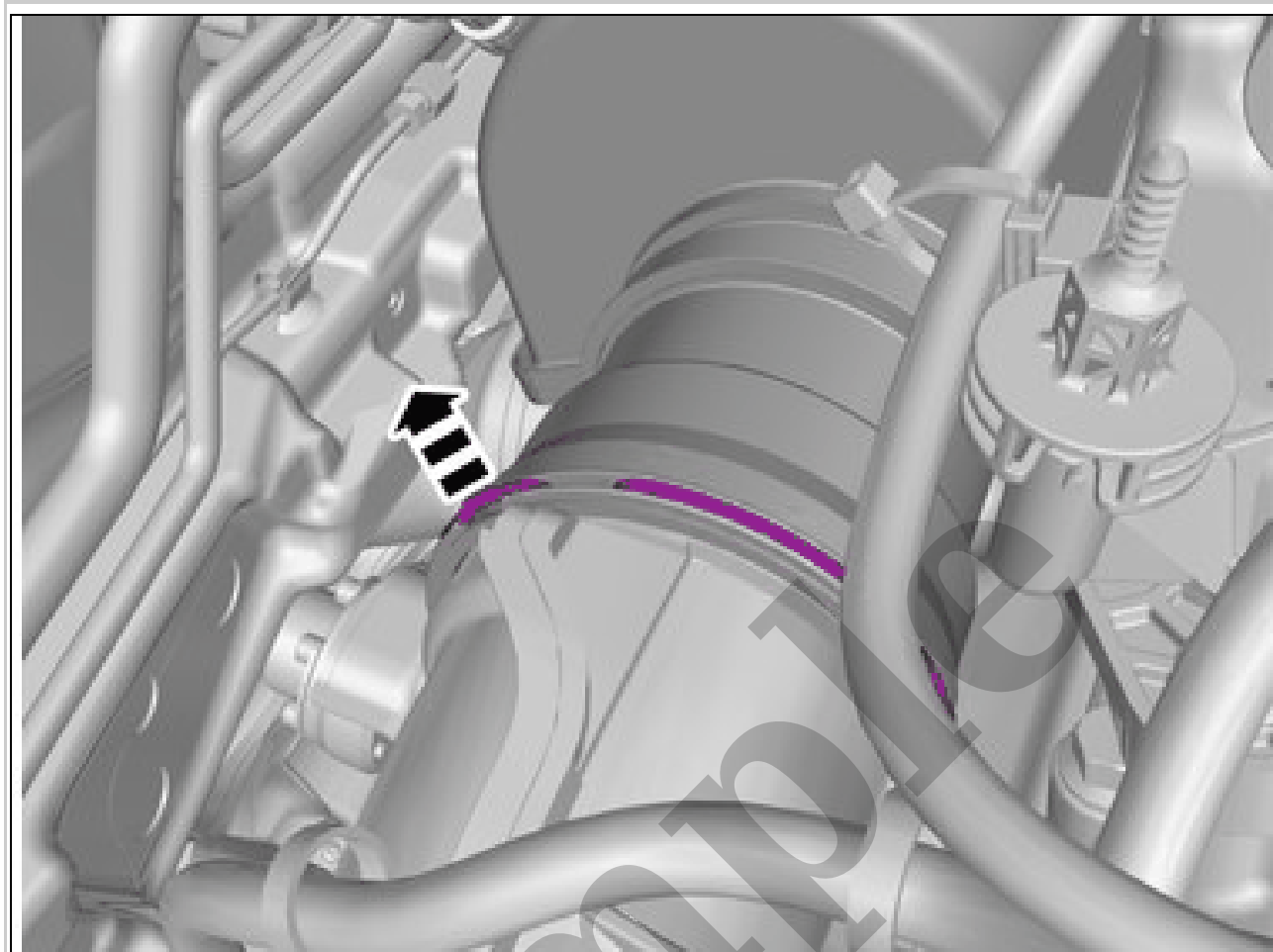
NOTE: *Removal steps in this procedure may contain installation details.*

Remove the fuel pump. Refer to: FUEL PUMP



Courtesy of VOLVO CARS CORPORATION

Undo the hose from the connection.
Fold marked part aside.



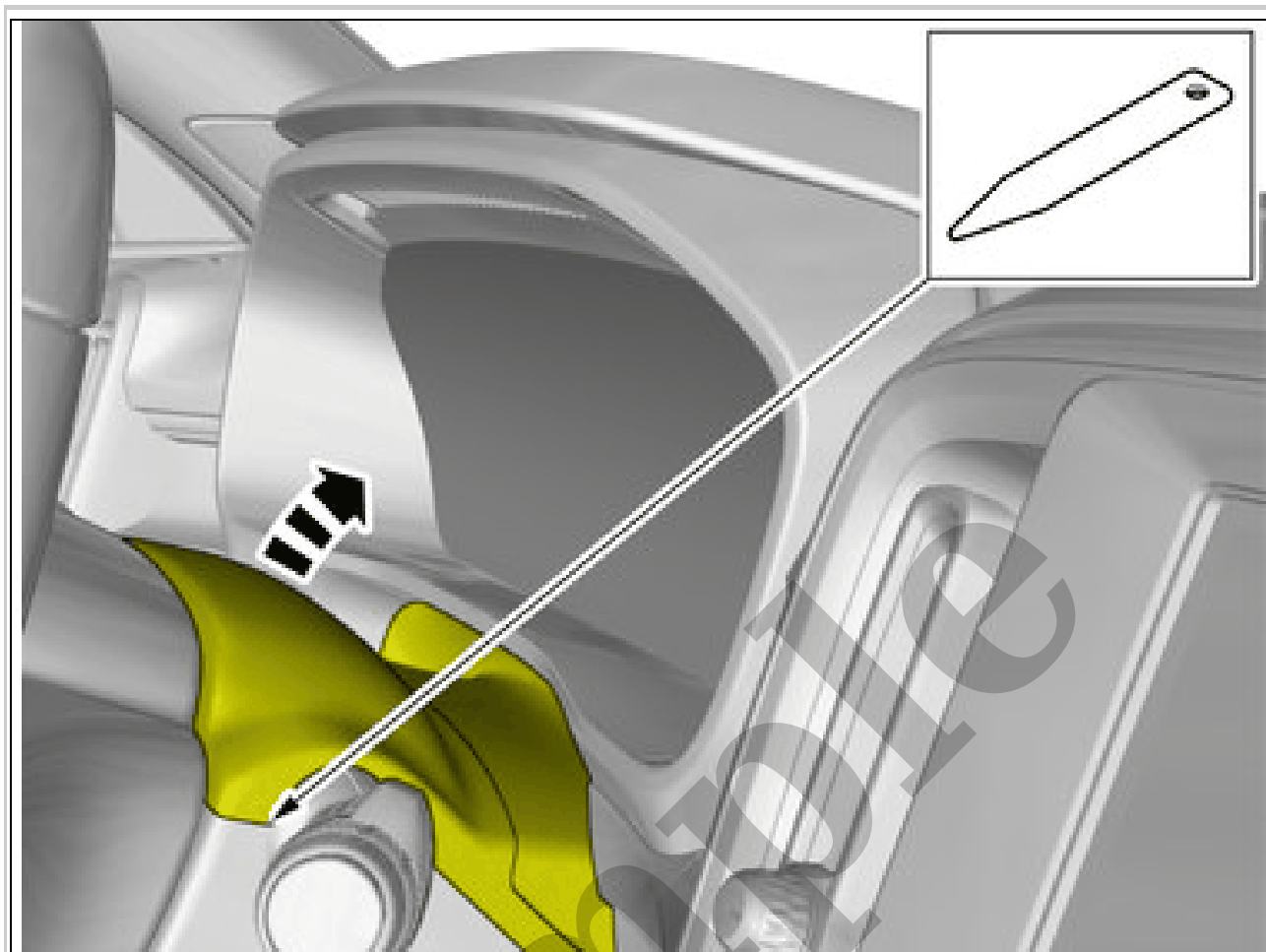
Courtesy of VOLVO CARS CORPORATION

Loosen the hose clamp.

**VACUUM PUMP, BRAKE BOOSTER > VACUUM PUMP, BRAKE BOOSTER [2018-2022,
B4204T18 | 2019-2022, B4204T47] > INSTALLATION**

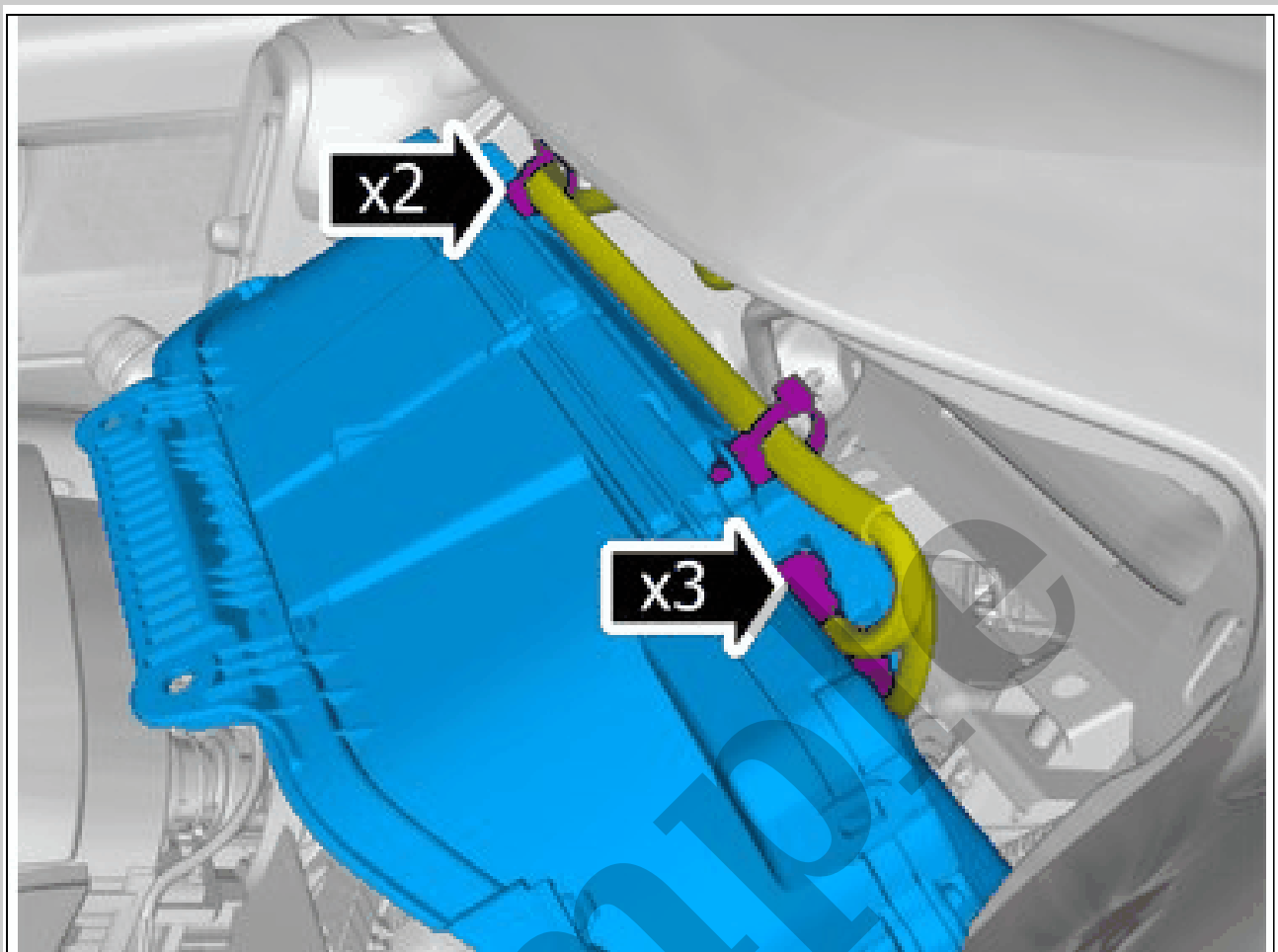
To install, reverse the removal procedure.

Sample



Courtesy of VOLVO CARS CORPORATION

Loosen the component indicated. Do not remove it.



Courtesy of VOLVO CARS CORPORATION

NOTE: *The number of electrical wires may vary depending on vehicle equipment specification.*

Disconnect the connectors.
Remove the cable harness clips.
Remove the marked part.

DRIVER INFORMATION MODULE > DRIVER INFORMATION MODULE (DIM) [2018-2022] > INSTALLATION

To install, reverse the removal procedure.

NOTE: *The following steps are only necessary when installing a new component.*

Order and download the appropriate software according to: VIDA/Software/Hardware Changes