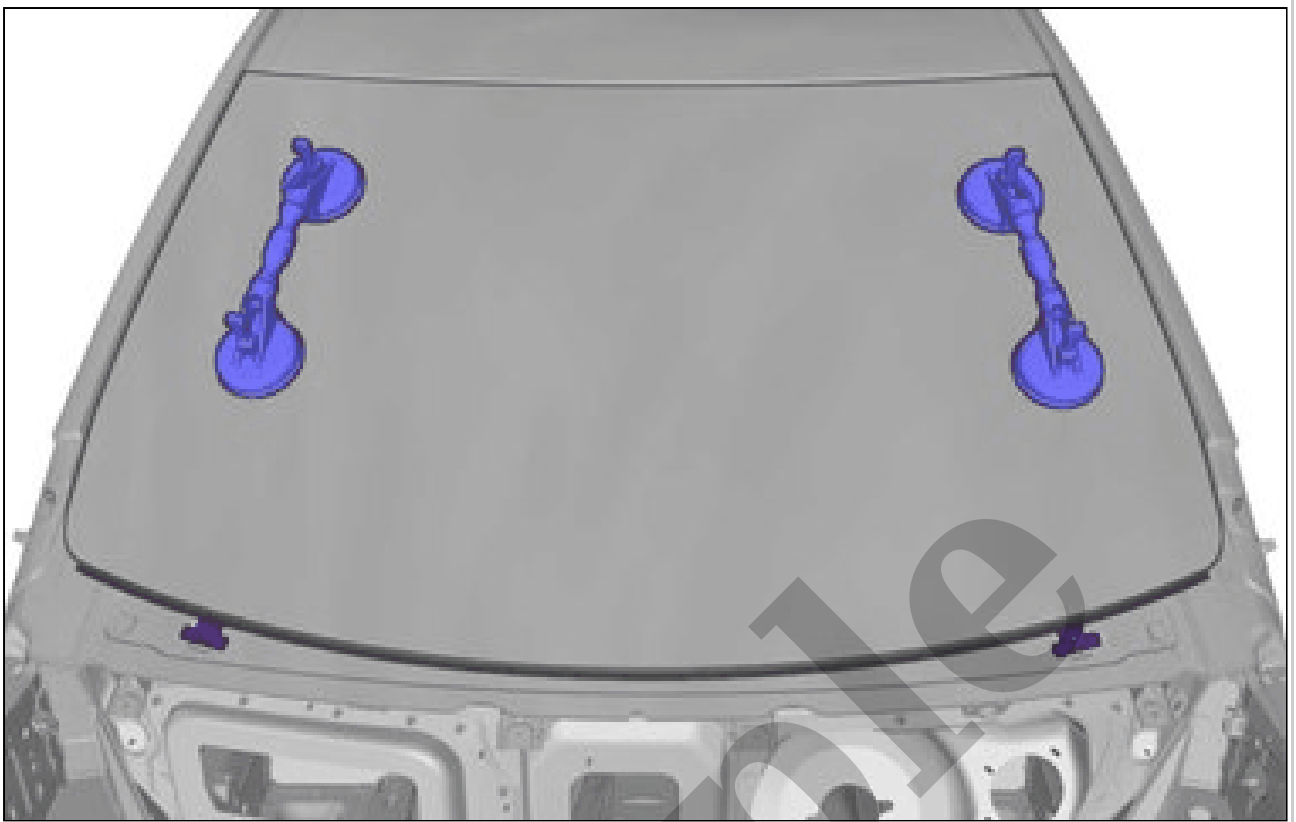


# Your Ultimate Source for OEM Repair Manuals

FactoryManuals.net is a great resource for anyone who wants to save money on repairs by doing their own work. The manuals provide detailed instructions and diagrams that make it easy to understand how to fix a vehicle.

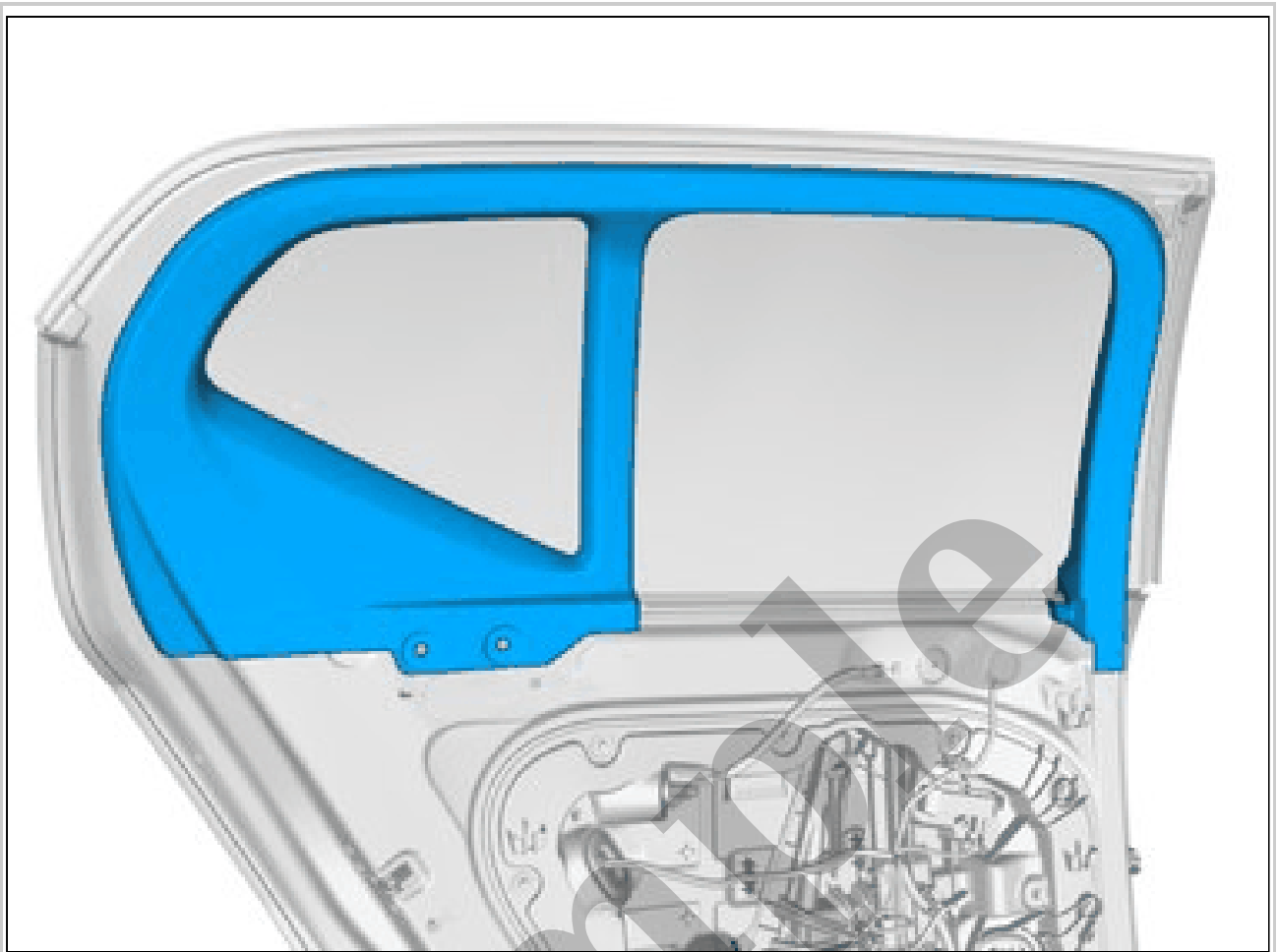
## 2022 Volvo C40 Service and Repair Manual

[Go to manual page](#)



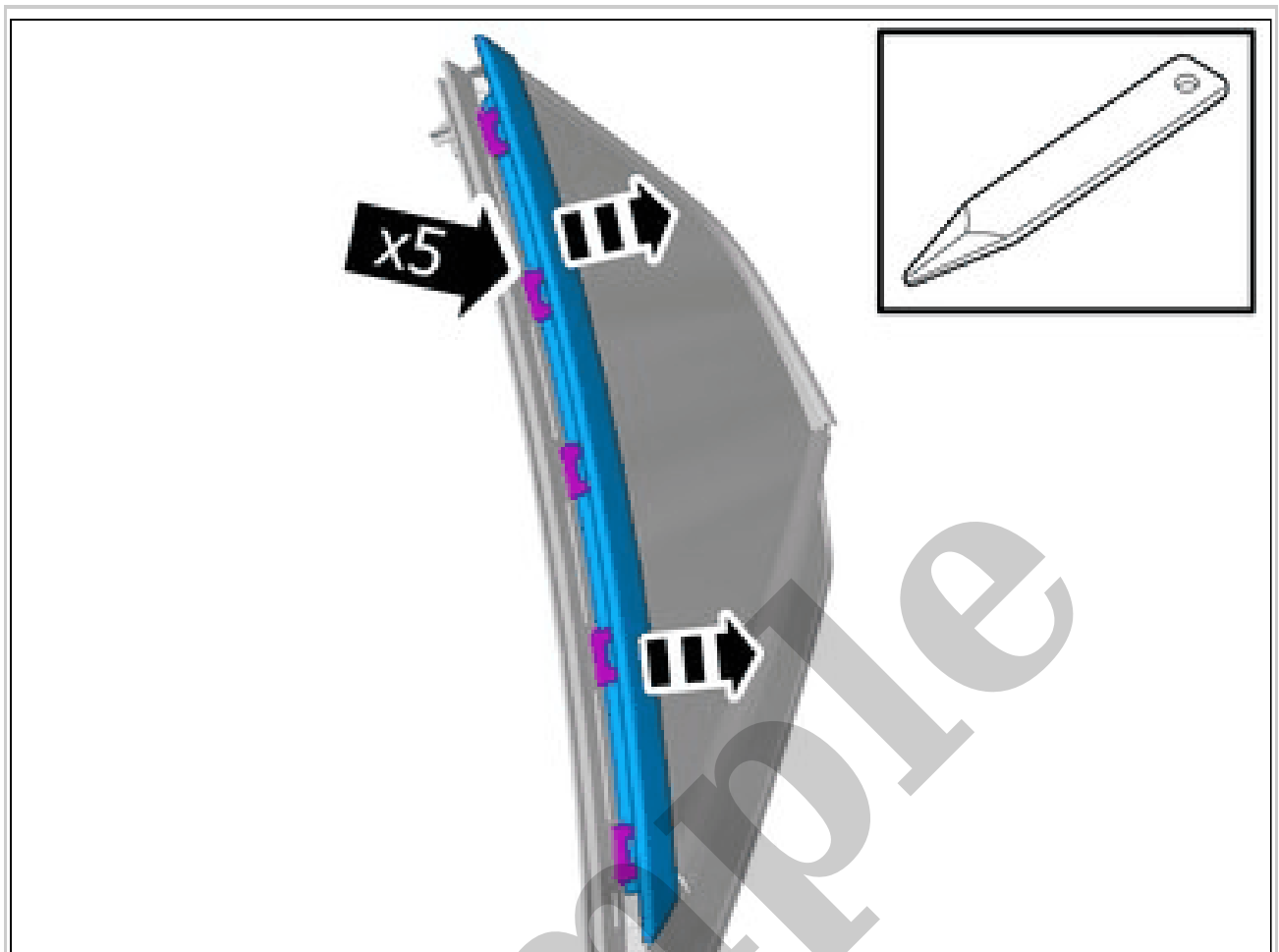
Courtesy of VOLVO CARS CORPORATION

Sample



Courtesy of VOLVO CARS CORPORATION

Remove the marked part.



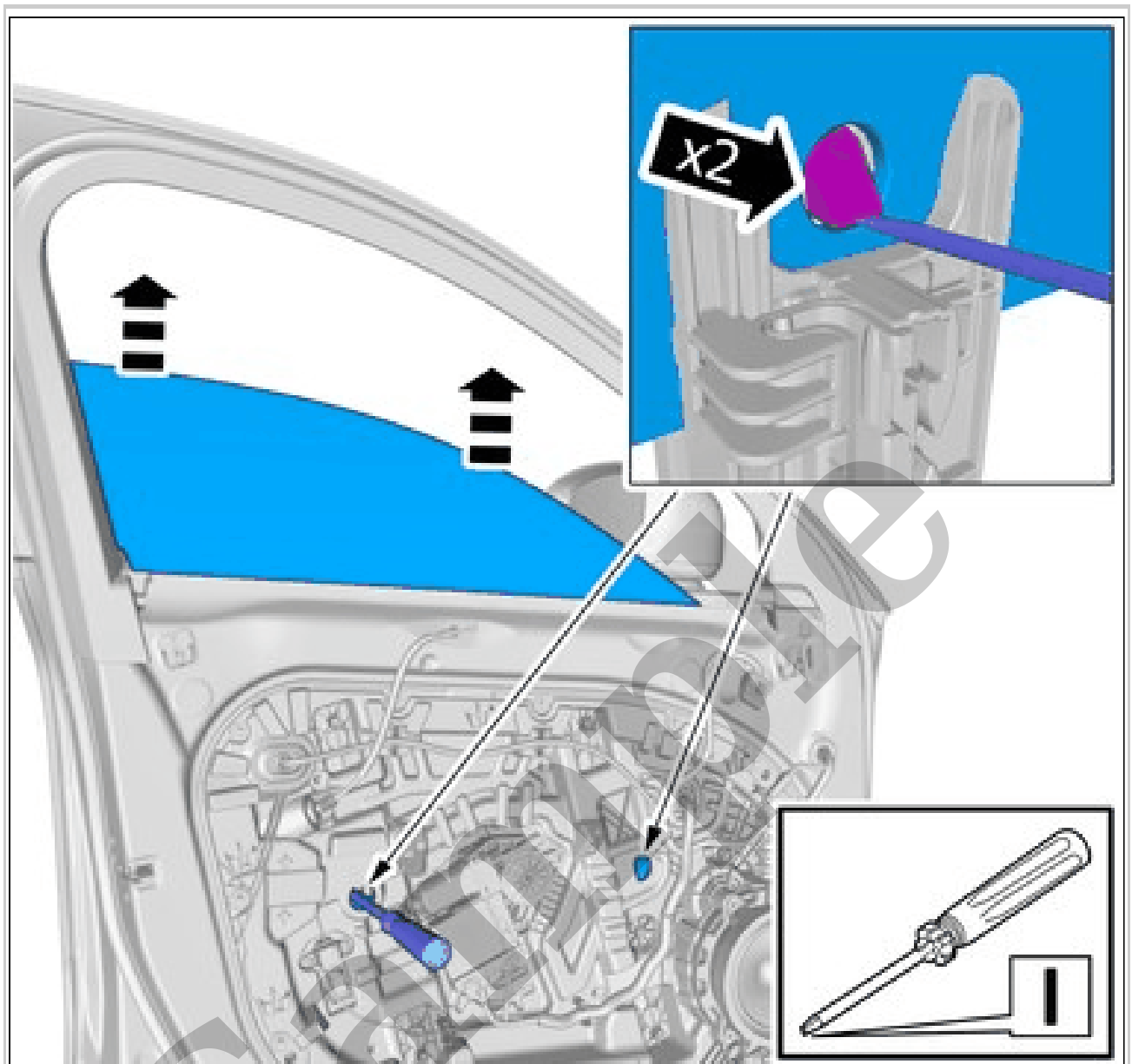
Courtesy of VOLVO CARS CORPORATION

Release the catches.  
Remove the marked part.

### **REAR DOOR FIXED WINDOW GLASS > REAR DOOR FIXED WINDOW GLASS [2018-2022] > INSTALLATION**

To install, reverse the removal procedure.

### **WINDOW, FRONT DOOR. > WINDOW, FRONT DOOR. [2018-2022] > REMOVAL**

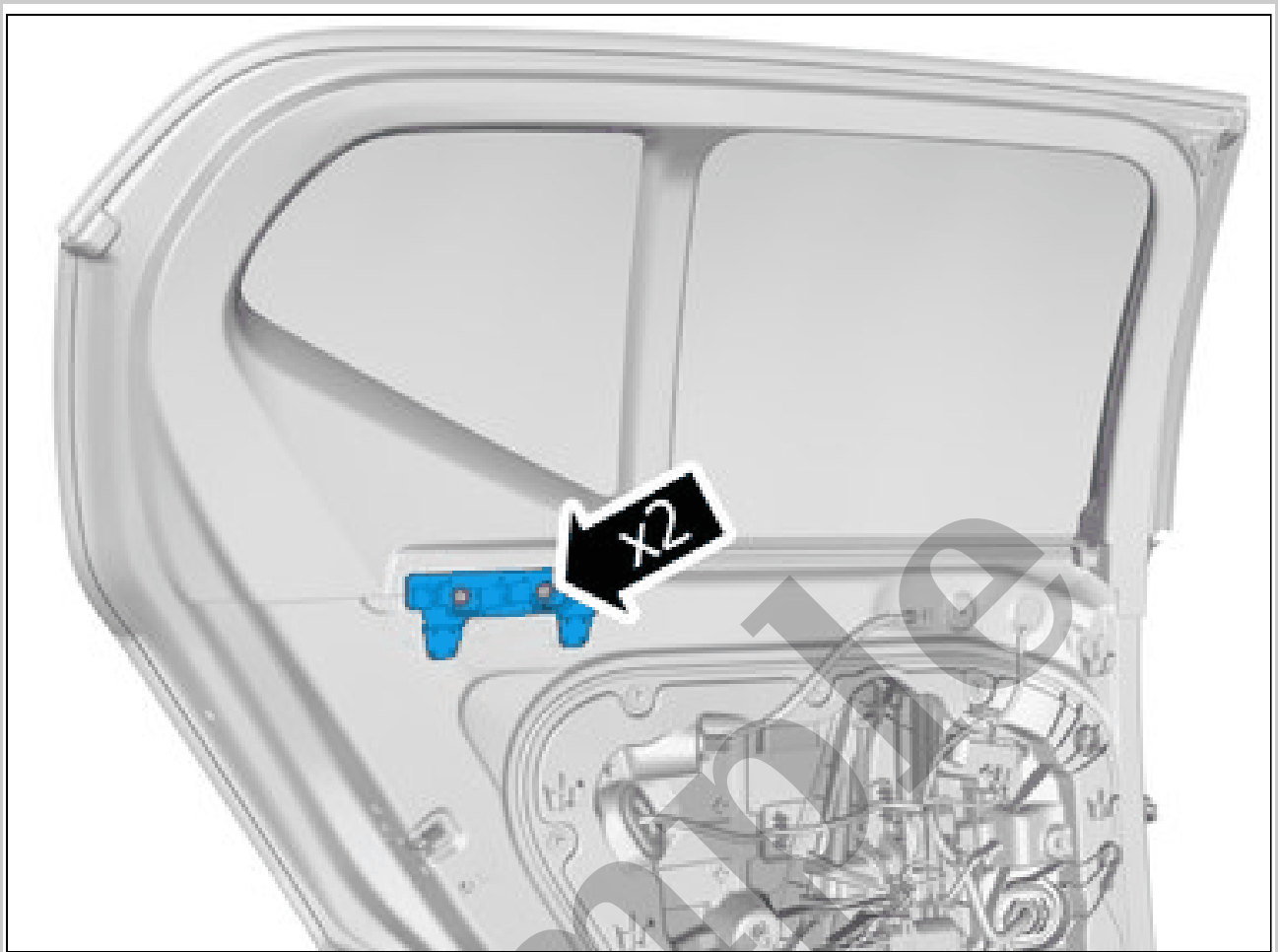


Courtesy of VOLVO CARS CORPORATION

**HINT: This step may require the aid of another technician.**

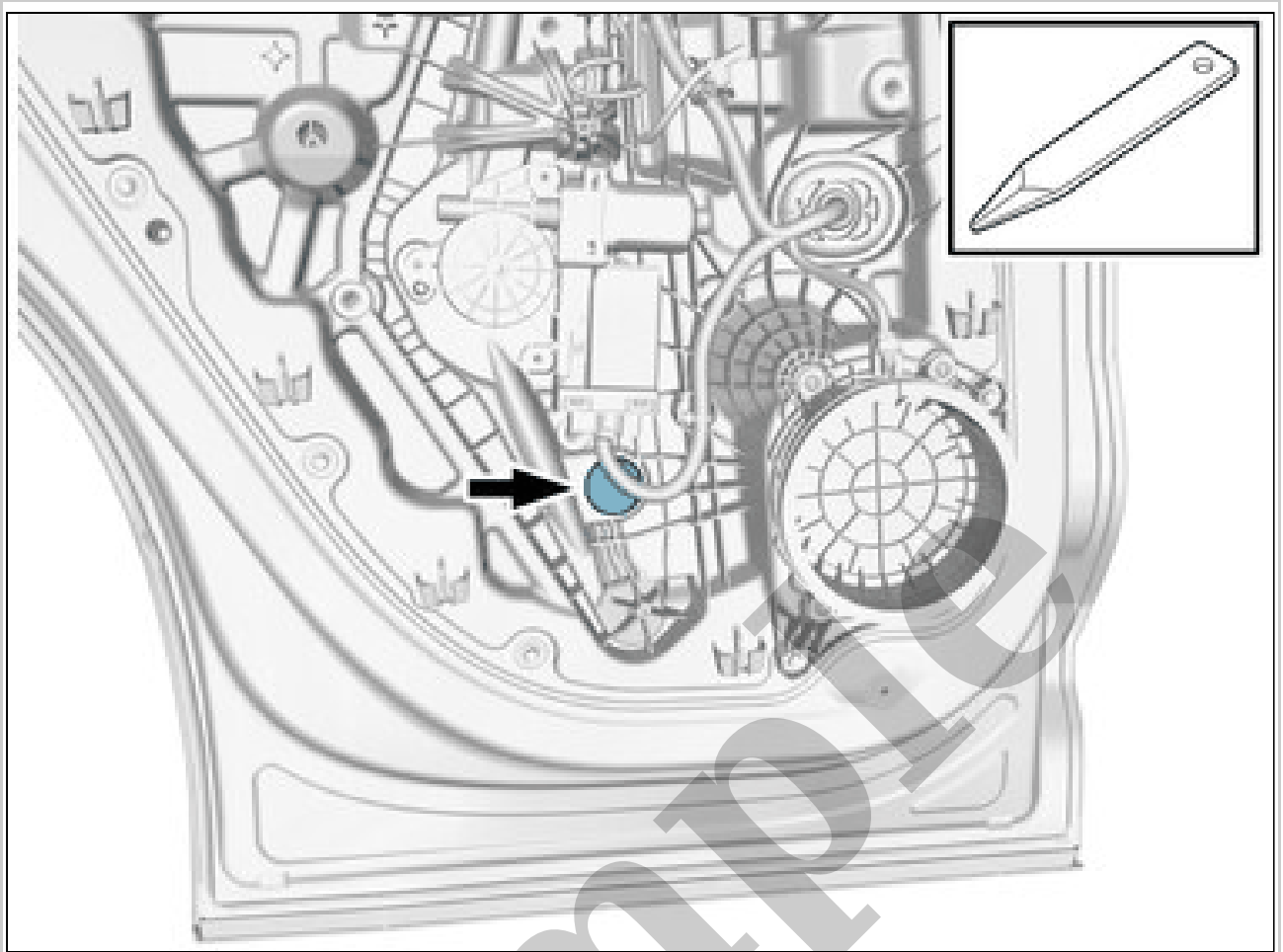
Release the locks.

Remove the marked part.



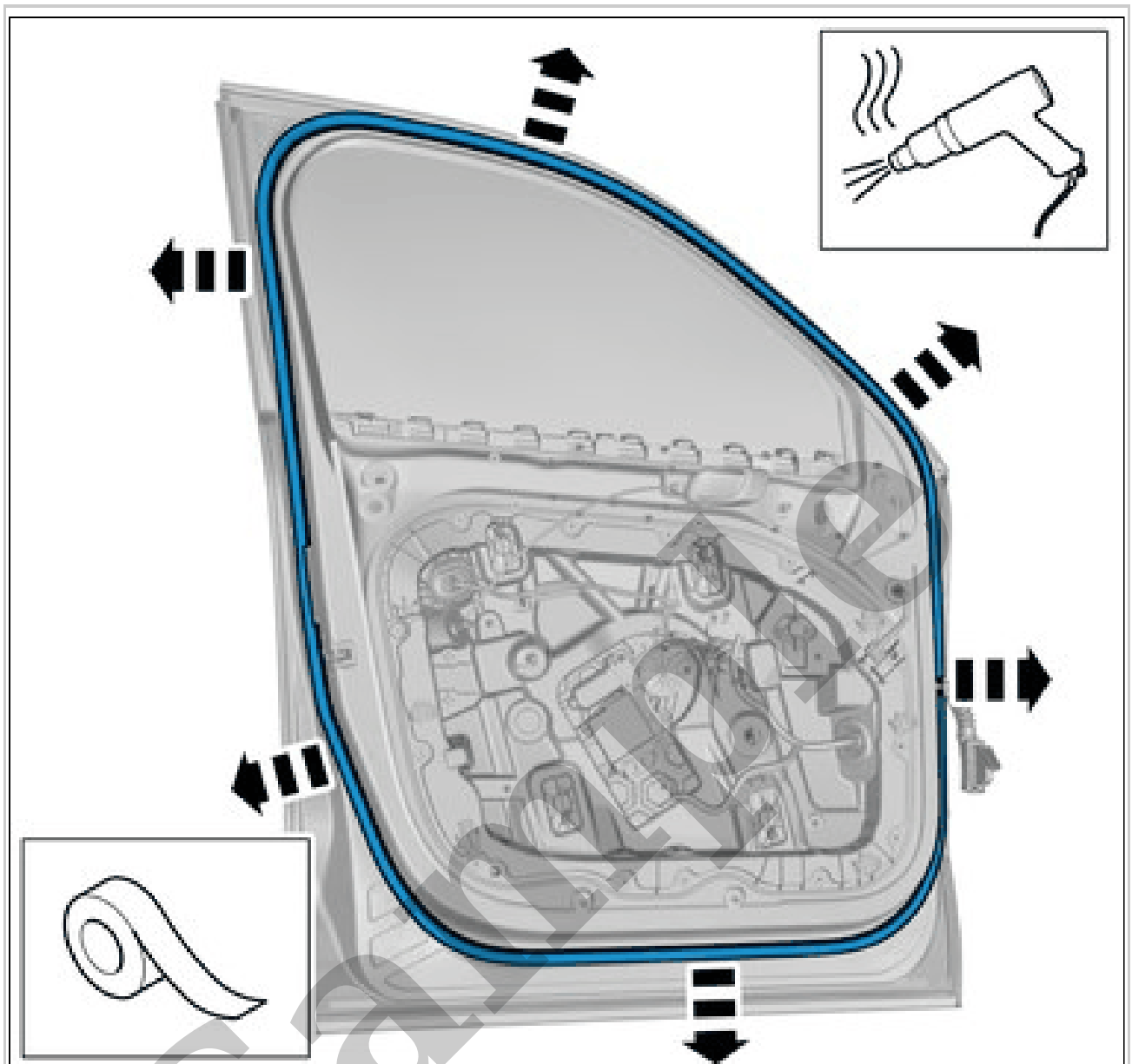
Courtesy of VOLVO CARS CORPORATION

**Torque:** M5, 5Nm  
Remove the screws.



Courtesy of VOLVO CARS CORPORATION

Remove the marked part.

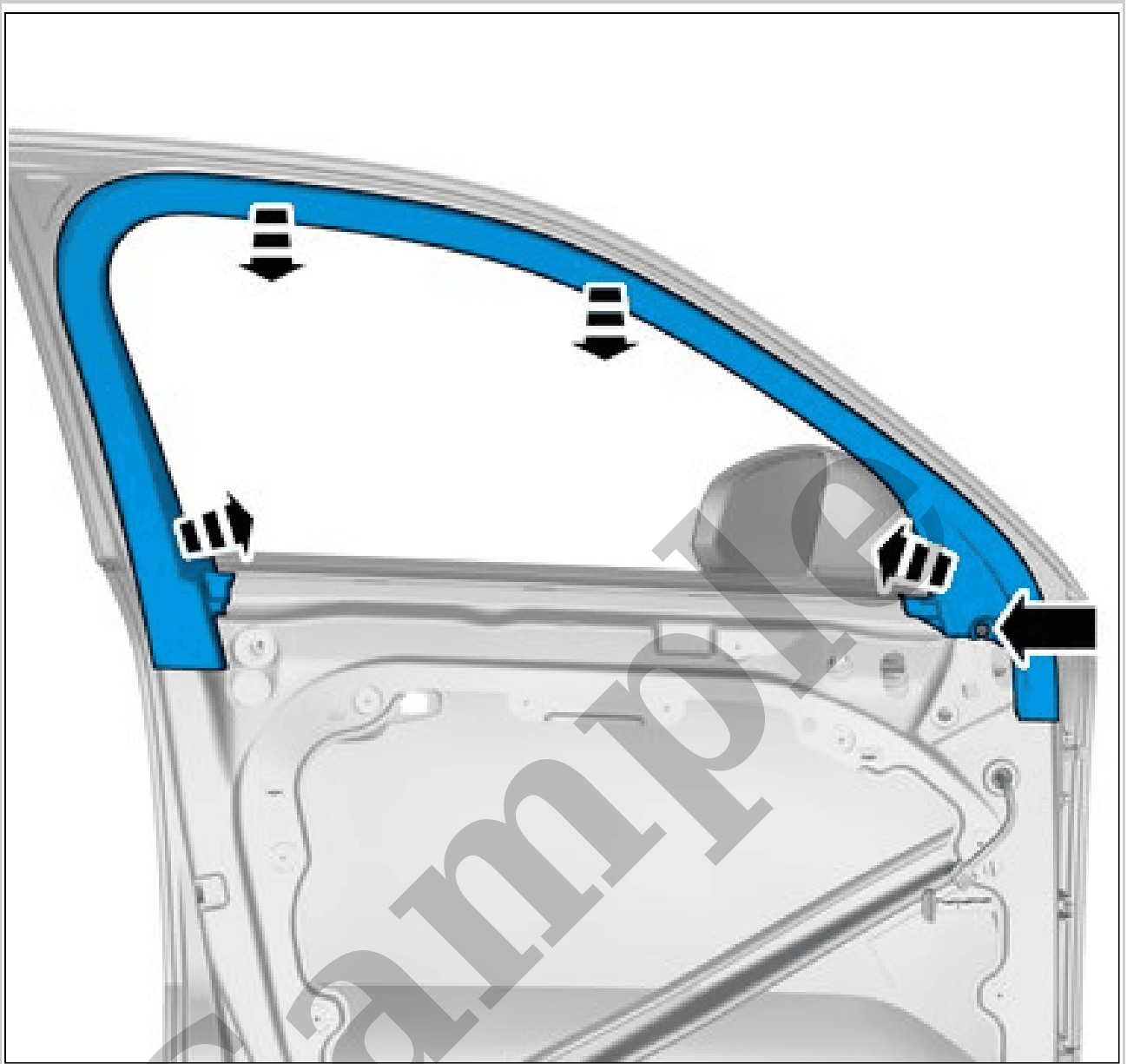


Courtesy of VOLVO CARS CORPORATION

**CAUTION:** Make sure that the surrounding components are protected from heat.

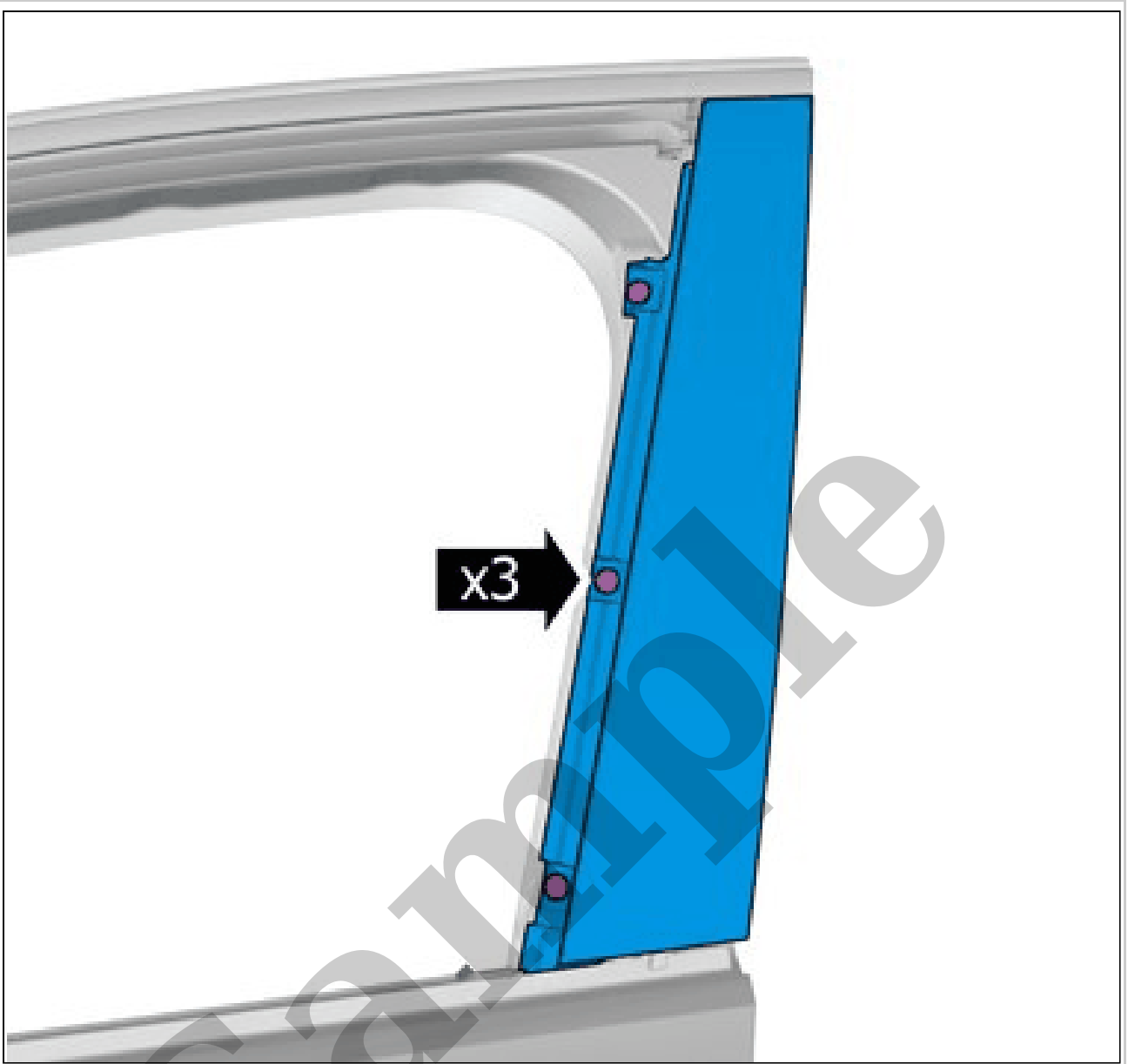
**CAUTION:** Note the position of the component before removal.





Courtesy of VOLVO CARS CORPORATION

Loosen the clip.  
Remove the marked part.



Courtesy of VOLVO CARS CORPORATION

Remove the screws.  
Remove the marked part.