

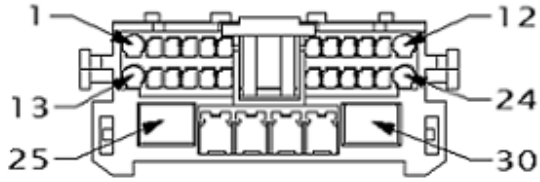
Your Ultimate Source for OEM Repair Manuals

FactoryManuals.net is a great resource for anyone who wants to save money on repairs by doing their own work. The manuals provide detailed instructions and diagrams that make it easy to understand how to fix a vehicle.

2022 Jeep Compass Service and Repair Manual

[Go to manual page](#)

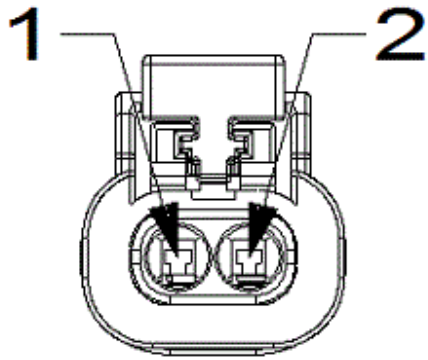
Connector Views



Pin	Circuit	Circuit Function	Color	Gauge/Size	Option
Body					
1	D367	CAN IHS (-)	WH	0.35	
2	D368	CAN IHS (+)	DB	0.35	
3	N0	NO CONNECT	NA	0	
4	P573	RETURN	OG	0.35	
5	D367	CAN IHS (-)	WH	0.35	
6	D368	CAN IHS (+)	DB	0.35	
7	F521	POWER SUPPLY	YE	0.35	
8	R729	SENSOR RETURN	GN	0.35	
9	D831	LIN BUS	WH	0.35	
10	M11	LAMP DRIVER	YE	0.35	

Pin	Circuit	Circuit Function	Color	Gauge/Size	Option
2	D368	CAN IHS (+)	DB	0.35	
3	N0	NO CONNECT	NA	0	
4	P573	RETURN	OG	0.35	
5	D367	CAN IHS (-)	WH	0.35	
6	D368	CAN IHS (+)	DB	0.35	
7	F521	POWER SUPPLY	YE	0.35	
8	R729	SENSOR RETURN	GN	0.35	
9	D831	LIN BUS	WH	0.35	
10	M11	LAMP DRIVER	YE	0.35	
11	P571	POWER SUPPLY	OG	0.35	
12	D562	LIN BUS	WH	0.35	
13	P989	SENSOR RETURN	BG	0.35	
14	P151	POSITION SIGNAL	BG	0.35	
15	P207	MOTOR (UP)	GN	0.35	
16	D561	LIN BUS	WH	0.35	
17	P208	MOTOR (DOWN)	BN	0.35	
18	P217	MOTOR (FORWARD)	GN	0.35	
19	P152	POSITION SIGNAL	BG	0.35	
20	P218	MOTOR (REARWARD)	VT	0.35	
21	A356	FUSED B(+)	RD	0.50	
22	A369	FUSED B(+)	RD	0.50	
23	R57	SIGNAL	GN	0.35	

Connector Views



Pin	Circuit	Circuit Function	Color	Gauge/Size	Option
Body					
1	R5	LINE 2	BU	0.35	RHD
1	R6	LINE 2	VT	0.35	LHD
2	R7	LINE 1	GN	0.35	RHD
2	R8	LINE 1	GY	0.35	LHD

XY430A

HARNESS_CONNECTOR No:Y430A		Option:Standard
Connector Details		Harness Family
Color	YELLOW	
Part Number	1-1703498-4	SEAT_BACK_PASSENGER

YOUR CURRENT VEHICLE

Xy431a

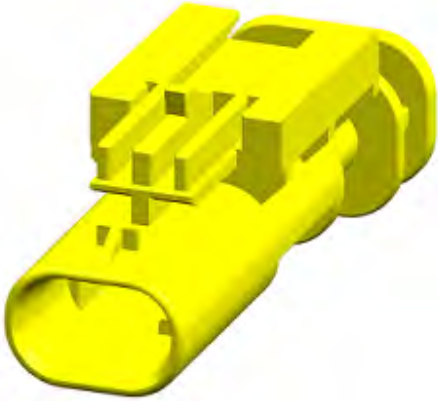
XY431A

HARNES_CONNECTOR No:X431A		Option:Standard
Connector Details		Harness Family
Color	YELLOW	
Part Number	1-2299071-1	Body
Repair Kit Part Number	68490832AA	Body
Part Description		Body
Cavity Count	2	Body
Location View	Location View	Body

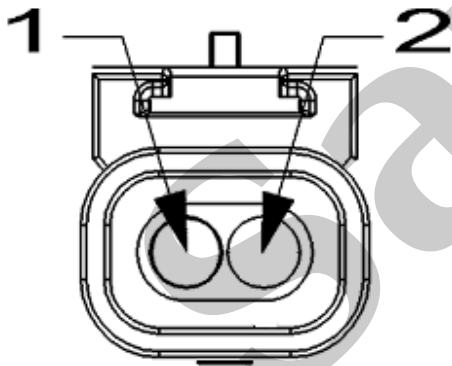
Connector Views

Mating Side:

Connector Views

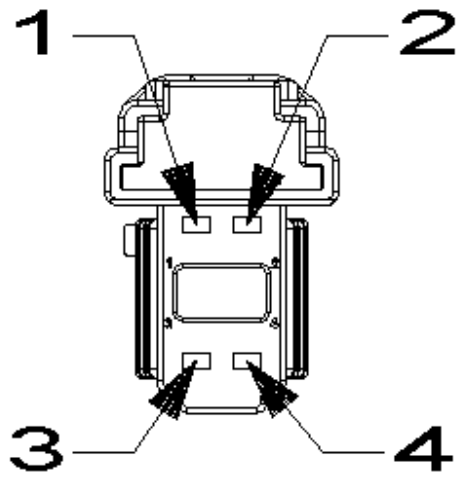


Wire Insertion Side:



Pin	Circuit	Circuit Function	Color	Gauge/Size	Option
SEAT_BACK_DRIVER					
1	R5	LINE 2	BU	0.35	LHD

Connector Views

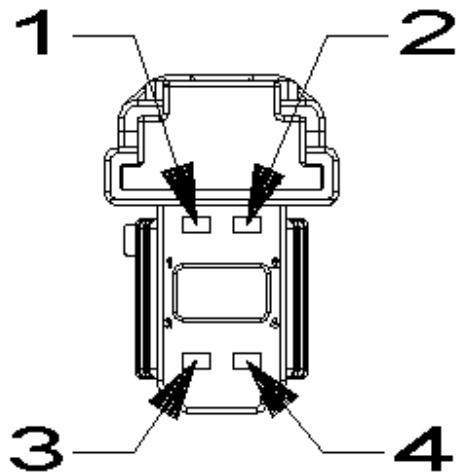


Pin	Circuit	Circuit Function	Color	Gauge/Size	Option
Body					
1	Z920	GROUND	BK	0.75	
2	N0	NO CONNECT	NA	0	
3	A363	FUSED B(+)	RD	0.35	
4	X524	SIGNAL	GY	0.35	

XY440A

HARNESS_CONNECTOR No:Y440A		Option:Standard
Connector Details		Harness Family
Color	BLACK	
Part Number	6098-7923	Seat_Back_Pass_2

Connector Views



Pin	Circuit	Circuit Function	Color	Gauge/Size	Option
Body					
1	Z921	GROUND	BK	0.75	
2	N0	NO CONNECT	NA	0	
3	A363	FUSED B(+)	RD	0.35	
4	X523	SIGNAL	GY	0.35	

XY441A

HARNESS_CONNECTOR No:Y441A		Option:Standard
Connector Details		Harness Family
Color	BLACK	
Part Number	6098-7923	Seat_Back_Driver_2

HARNESS_CONNECTOR No:Y443A		Option:Standard
Connector Details		Harness Family
Color	BLACK	
Part Number	7286-6779-30_7174-1730	SEAT_CUSHION_DRIVER
Repair Kit Part Number		SEAT_CUSHION_DRIVER
Part Description		SEAT_CUSHION_DRIVER
Cavity Count	24	SEAT_CUSHION_DRIVER
Location View	Location View	SEAT_CUSHION_DRIVER

Connector Views
Mating Side:

Pin	Circuit	Circuit Function	Color	Gauge/Size	Option
10	D368	CAN IHS (+)	DB	0.35	
11	P172	MOTOR (DOWN)	GN	0.35	
12	P170	MOTOR (UP)	GN	0.35	
13	F521	POWER SUPPLY	YE	0.35	
14	P41	MOTOR (DOWN)	GN	0.75	
15	P229	POWER SUPPLY	GN	0.35	
16	P844	RETURN	GN	0.75	
17	A356	FUSED B(+)	RD	0.50	
18	D831	LIN BUS	WH	0.35	
19	P843	POWER SUPPLY	GN	0.75	
20	P989	SENSOR RETURN	BG	0.35	
21	P43	MOTOR (UP)	GN	0.75	
22	Z921	GROUND	BK	1.0	
23	P105	MOTOR (OUT)	GN	0.35	
24	P107	MOTOR (IN)	GN	0.35	