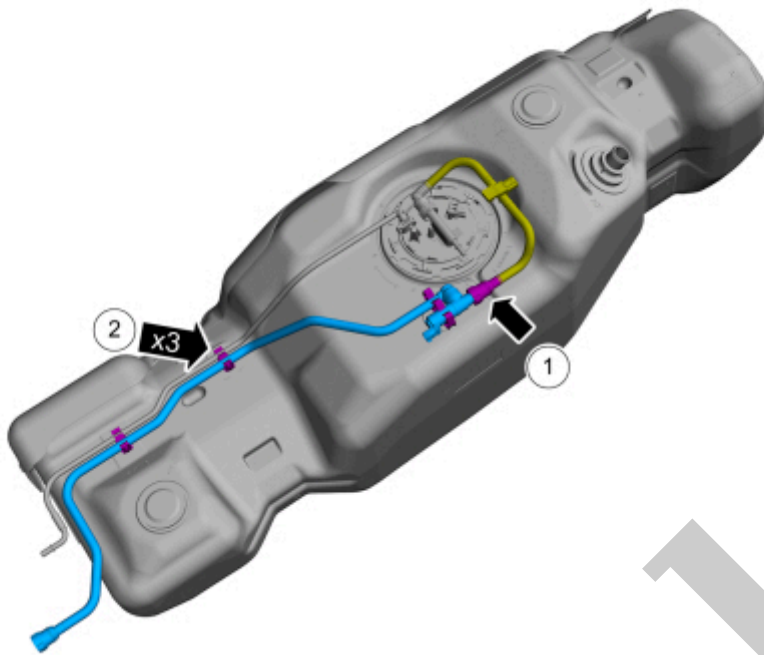


Your Ultimate Source for OEM Repair Manuals

FactoryManuals.net is a great resource for anyone who wants to save money on repairs by doing their own work. The manuals provide detailed instructions and diagrams that make it easy to understand how to fix a vehicle.

2022 Ford Transit Connect Service and Repair Manual

[Go to manual page](#)



E400832

[Click here to learn about symbols, color coding, and icons used in this manual.](#)

Type - 2

3. Disconnect the quick release coupling and remove the evaporative emission blocking valve and retainers.

Refer to: [Quick Release Coupling](#)(310-00B Fuel System - General Information - 3.3L Duratec-V6, General Procedures).



Evaporative Emission Canister Purge Valve

303-13B Evaporative Emissions - 3.3L Duratec-V6	2022 F-150
Removal and Installation	Procedure revision date: 09/23/2020

Evaporative Emission Canister Purge Valve

Removal

WARNING

Do not smoke, carry lighted tobacco or have an open flame of any type when working on or near any fuel-related component. Highly flammable mixtures may be present and may be ignited. Failure to follow these instructions may result in serious personal injury.

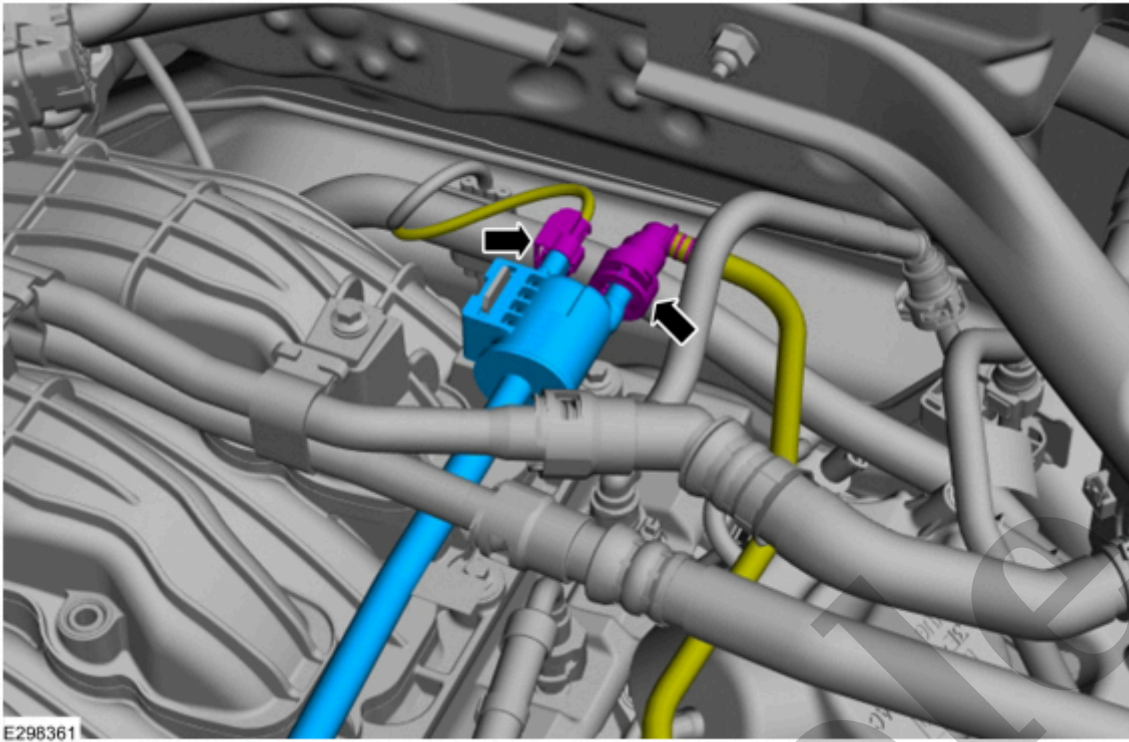
WARNING

Do not carry personal electronic devices such as cell phones, pagers or audio equipment of any type when working on or near any fuel-related component. Highly flammable mixtures may be present and may be ignited. Failure to follow these instructions may result in serious personal injury.

WARNING

Always disconnect the battery ground cable at the battery when working on an evaporative emission (EVAP) system or fuel-related component. Highly flammable mixtures may be present and may be ignited. Failure to follow these instructions may result in serious personal injury.

NOTE

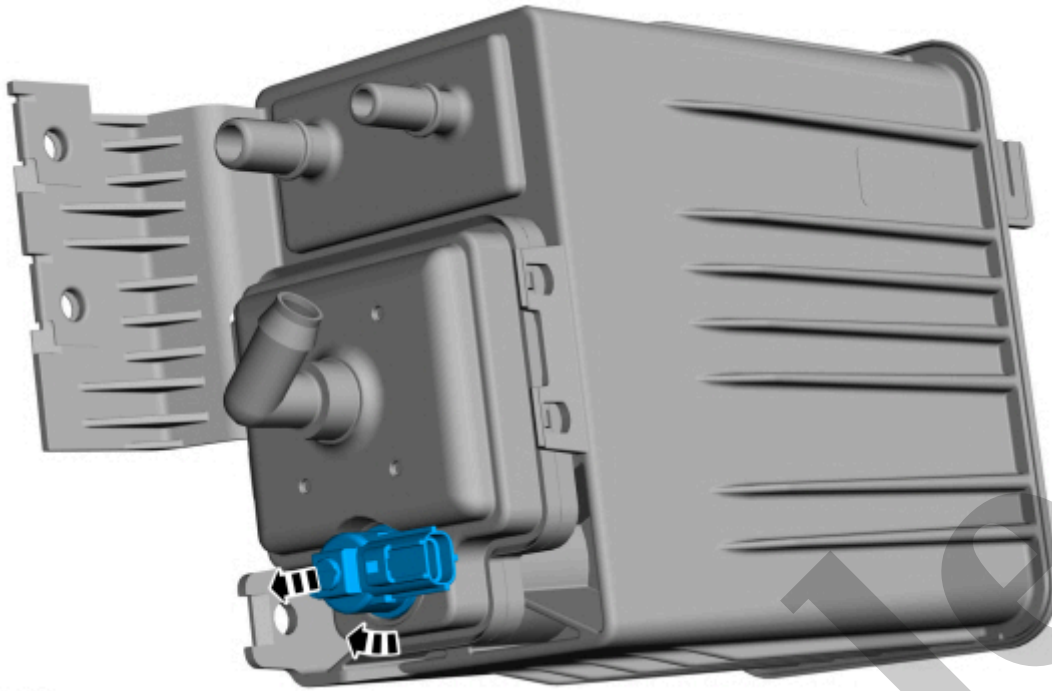


[Click here to learn about symbols, color coding, and icons used in this manual.](#)

Installation

1. To install, reverse the removal procedure.

Copyright © Ford Motor Company



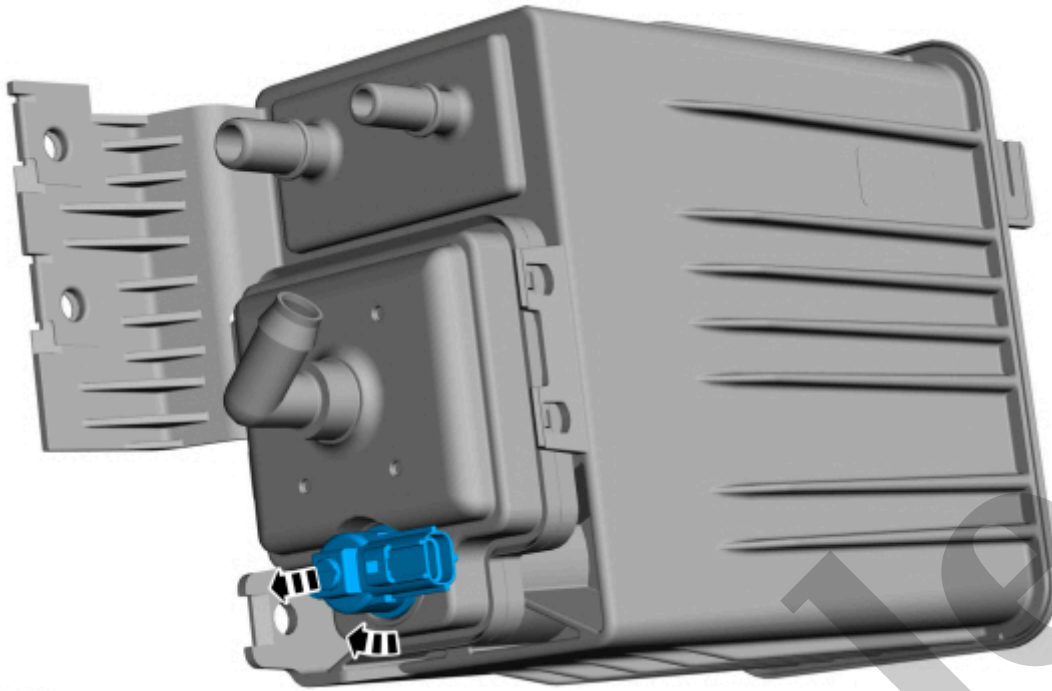
E329009

[Click here to learn about symbols, color coding, and icons used in this manual.](#)

Installation

1. To install, reverse the removal procedure.

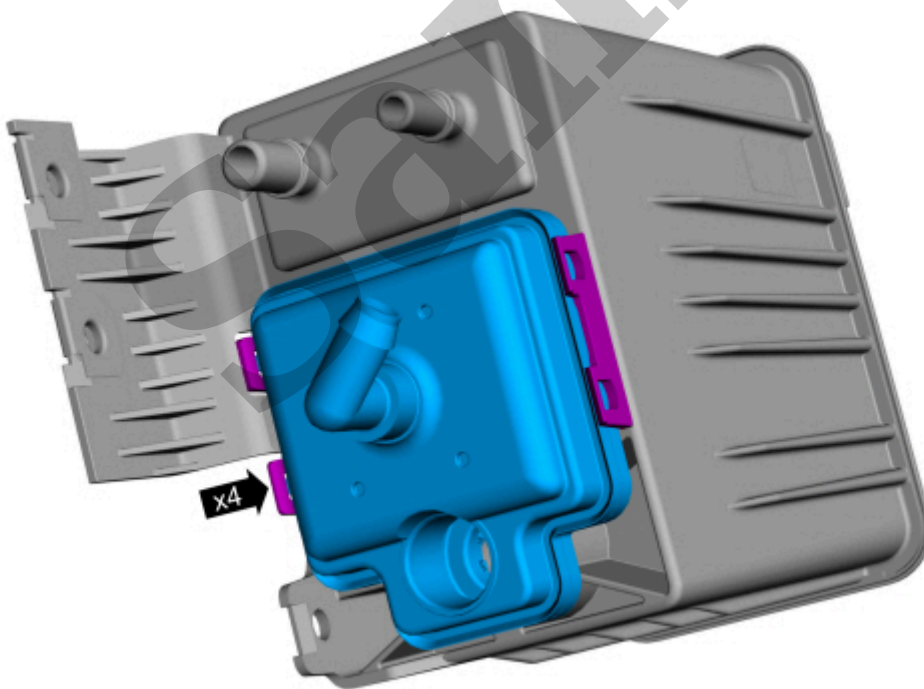
Copyright © Ford Motor Company



E329009

[Click here to learn about symbols, color coding, and icons used in this manual.](#)

3. Release the tabs and remove EVAP (evaporative emission) canister ventilation filter.



E329010

[Click here to learn about symbols, color coding, and icons used in this manual.](#)

Installation



Evaporative Emission Canister

303-13B Evaporative Emissions - 3.3L Duratec-V6	2022 F-150
Removal and Installation	Procedure revision date: 05/10/2021

Evaporative Emission Canister

Removal

WARNING

Do not smoke, carry lighted tobacco or have an open flame of any type when working on or near any fuel-related component. Highly flammable mixtures may be present and may be ignited. Failure to follow these instructions may result in serious personal injury.

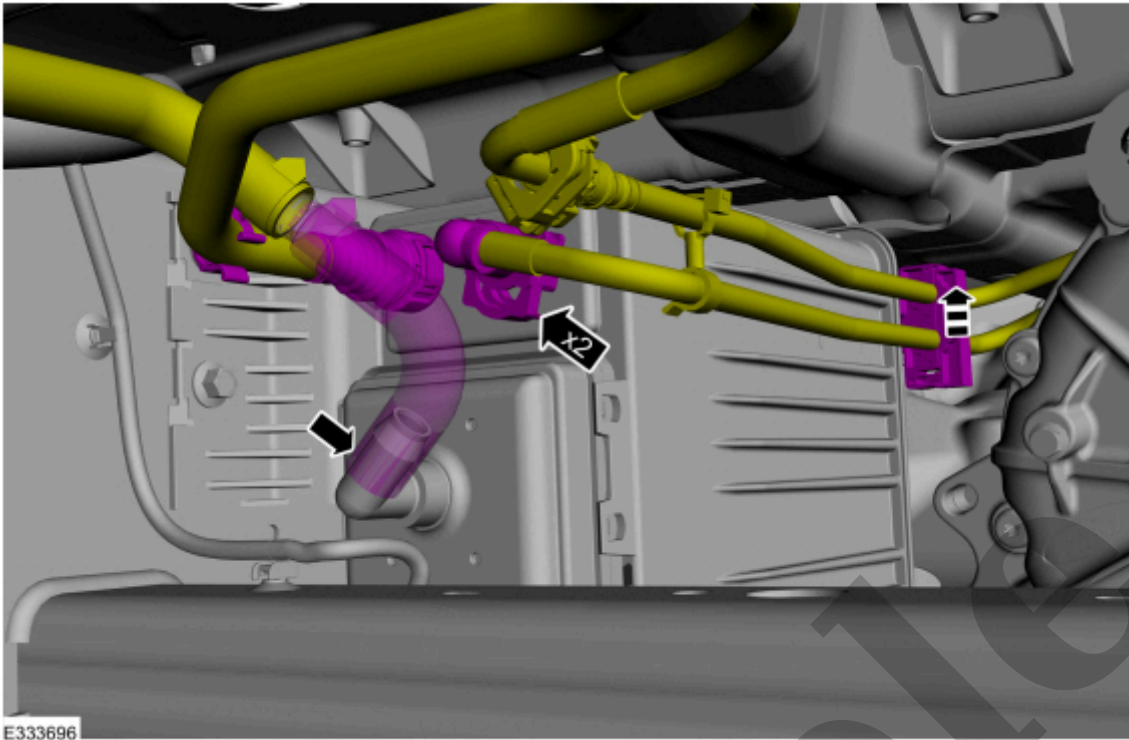
WARNING

Do not carry personal electronic devices such as cell phones, pagers or audio equipment of any type when working on or near any fuel-related component. Highly flammable mixtures may be present and may be ignited. Failure to follow these instructions may result in serious personal injury.

WARNING

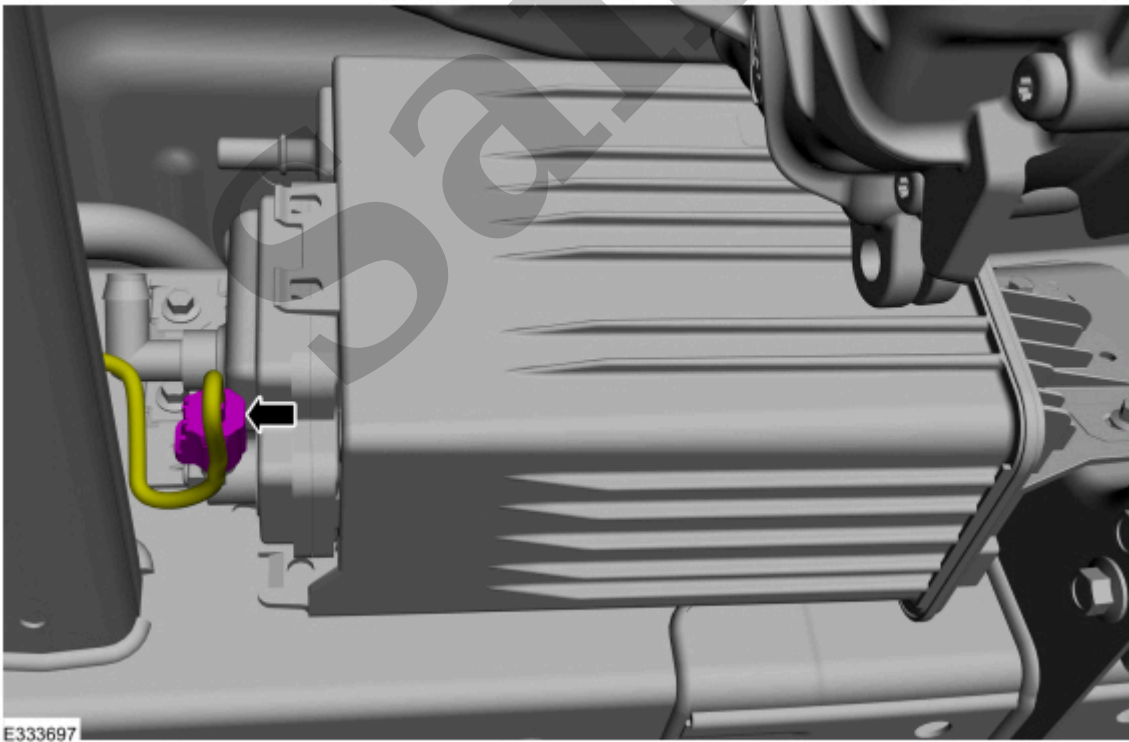
Always disconnect the battery ground cable at the battery when working on an evaporative emission (EVAP) system or fuel-related component. Highly flammable mixtures may be present and may be ignited. Failure to follow these instructions may result in serious personal injury.

NOTE

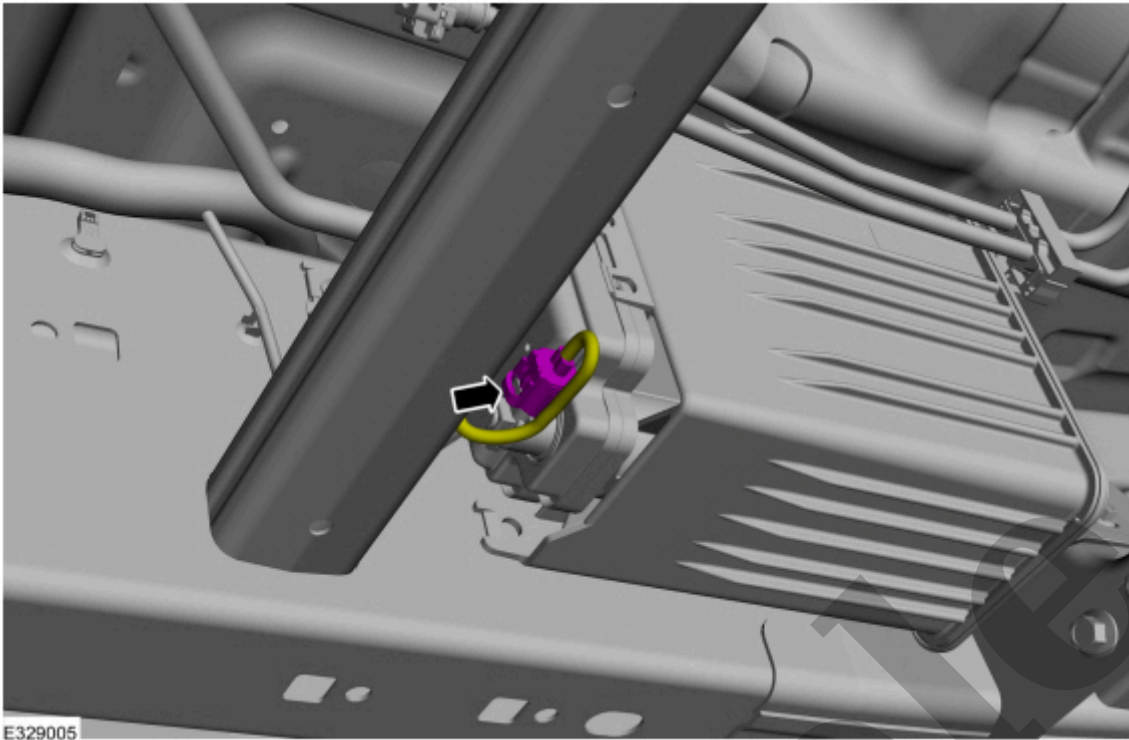


[Click here to learn about symbols, color coding, and icons used in this manual.](#)

4. Detach the fuel line routing clip from the EVAP (evaporative emission) canister and position the line aside.



[Click here to learn about symbols, color coding, and icons used in this manual.](#)



[Click here to learn about symbols, color coding, and icons used in this manual.](#)

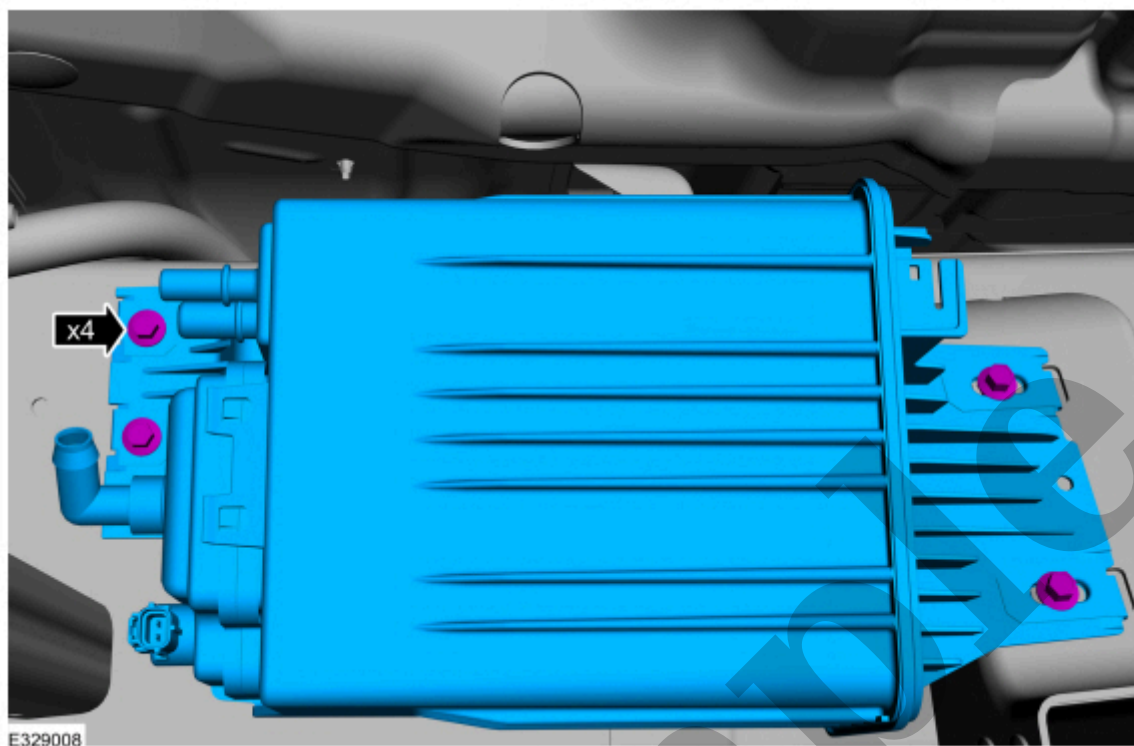
7. • Disconnect the quick release couplings.

Refer to: [Quick Release Coupling](#) (310-00B Fuel System - General Information - 3.3L Duratec-V6, General Procedures).

- Disconnect the fresh air hose.

9. Remove the bolts and the EVAP (evaporative emission) canister.

Torque : 124 lb.in (14 Nm)



[Click here to learn about symbols, color coding, and icons used in this manual.](#)

Installation

1. To install, reverse the removal procedure.

Copyright © Ford Motor Company