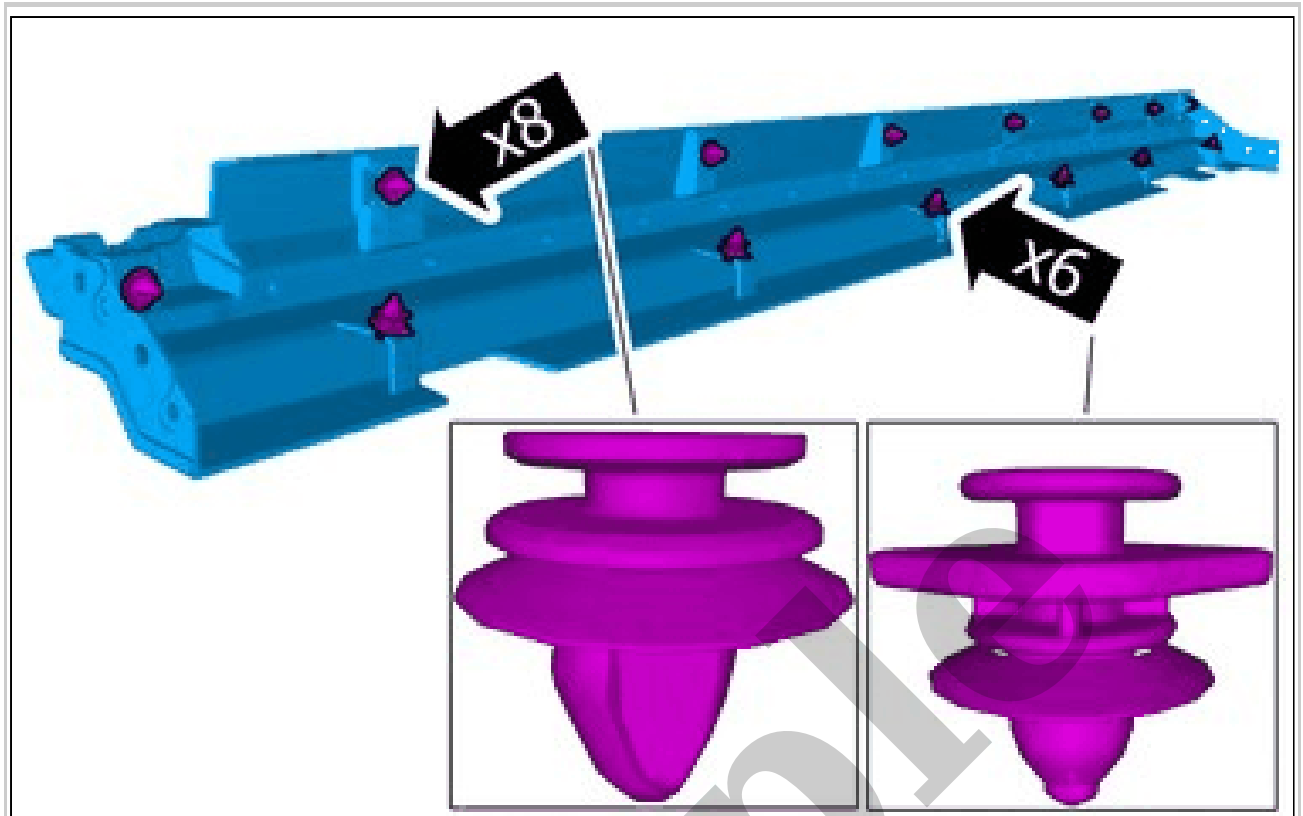


Your Ultimate Source for OEM Repair Manuals

FactoryManuals.net is a great resource for anyone who wants to save money on repairs by doing their own work. The manuals provide detailed instructions and diagrams that make it easy to understand how to fix a vehicle.

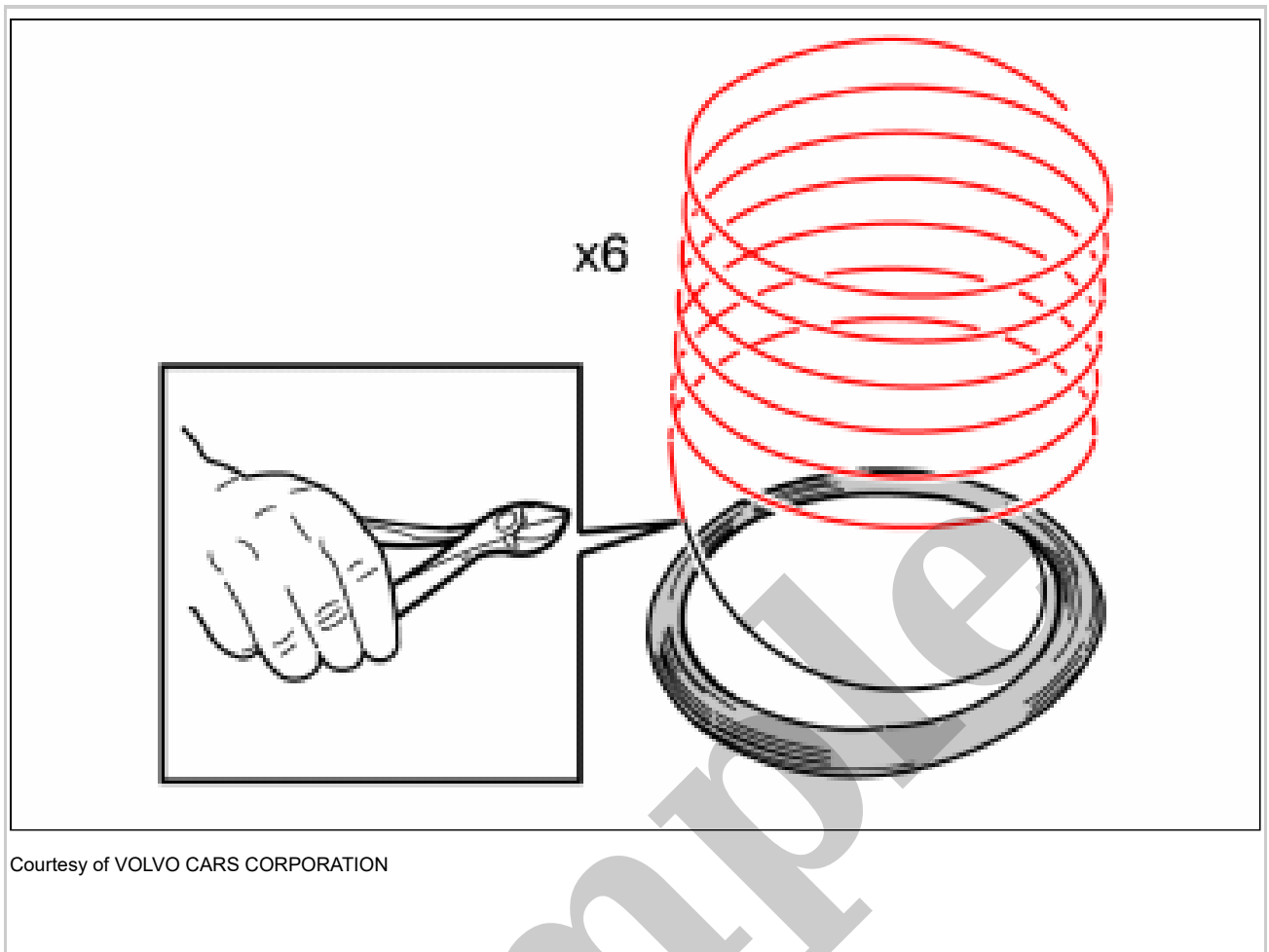
Volvo XC60 2021 Manual - Workshop Service and Repair Guide

[Go to manual page](#)



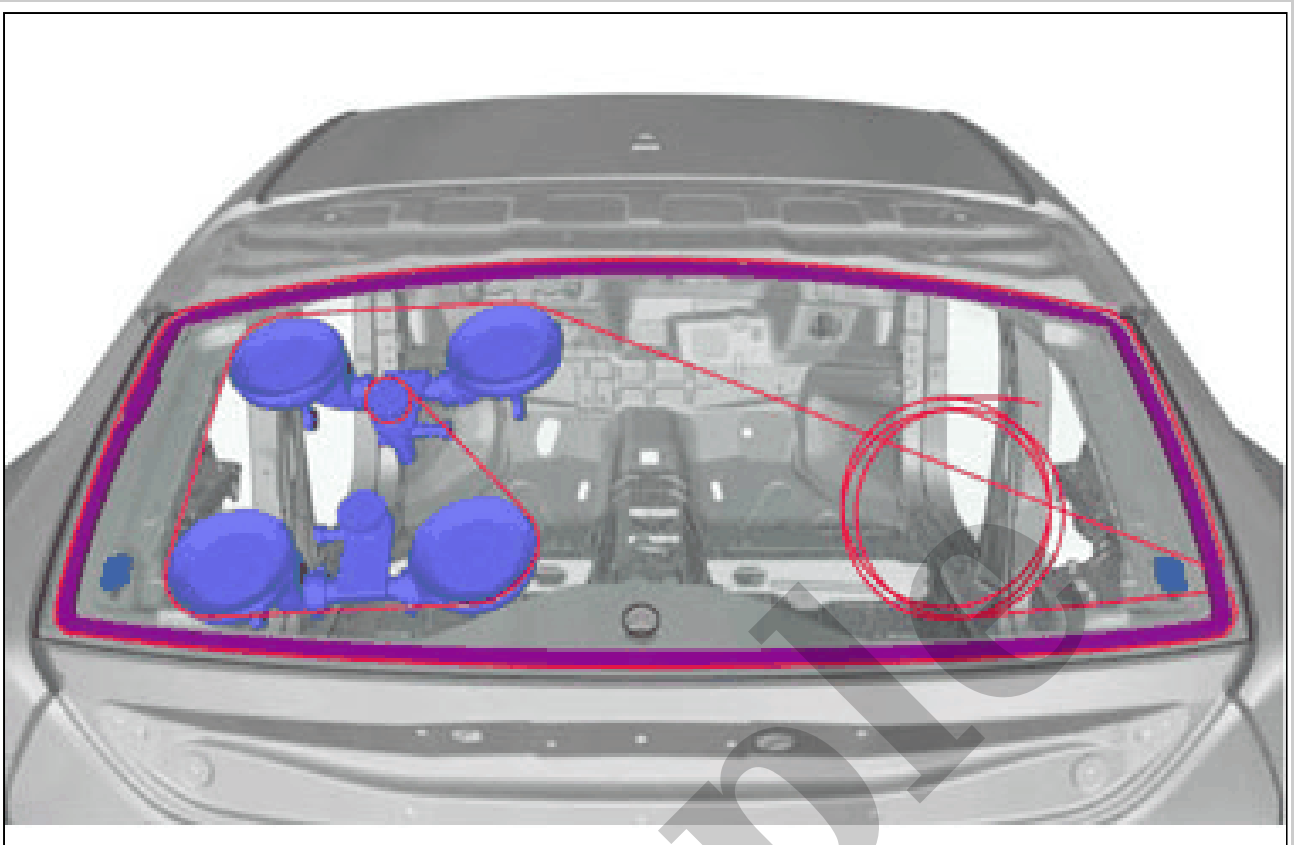
Courtesy of VOLVO CARS CORPORATION

The graphic shows the back of the component.

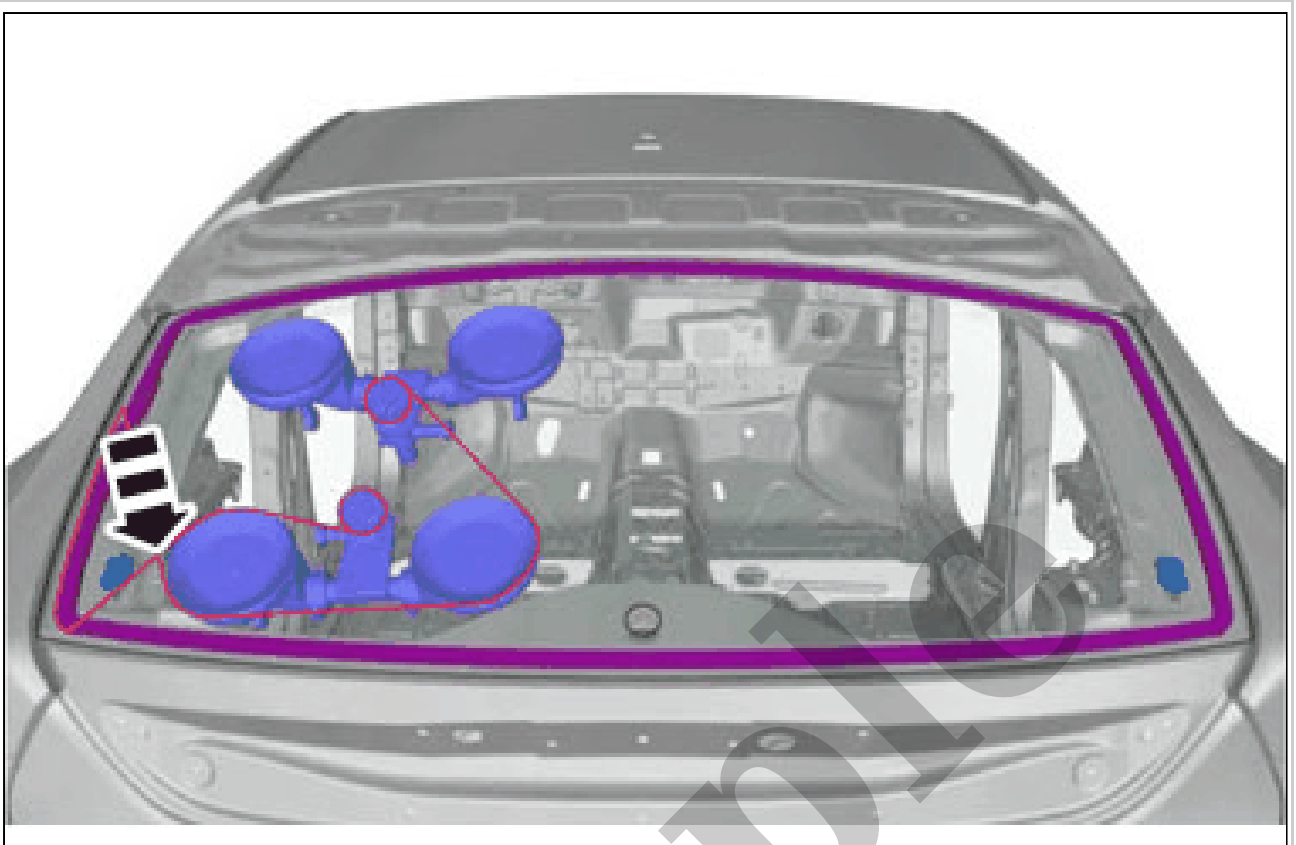


Courtesy of VOLVO CARS CORPORATION

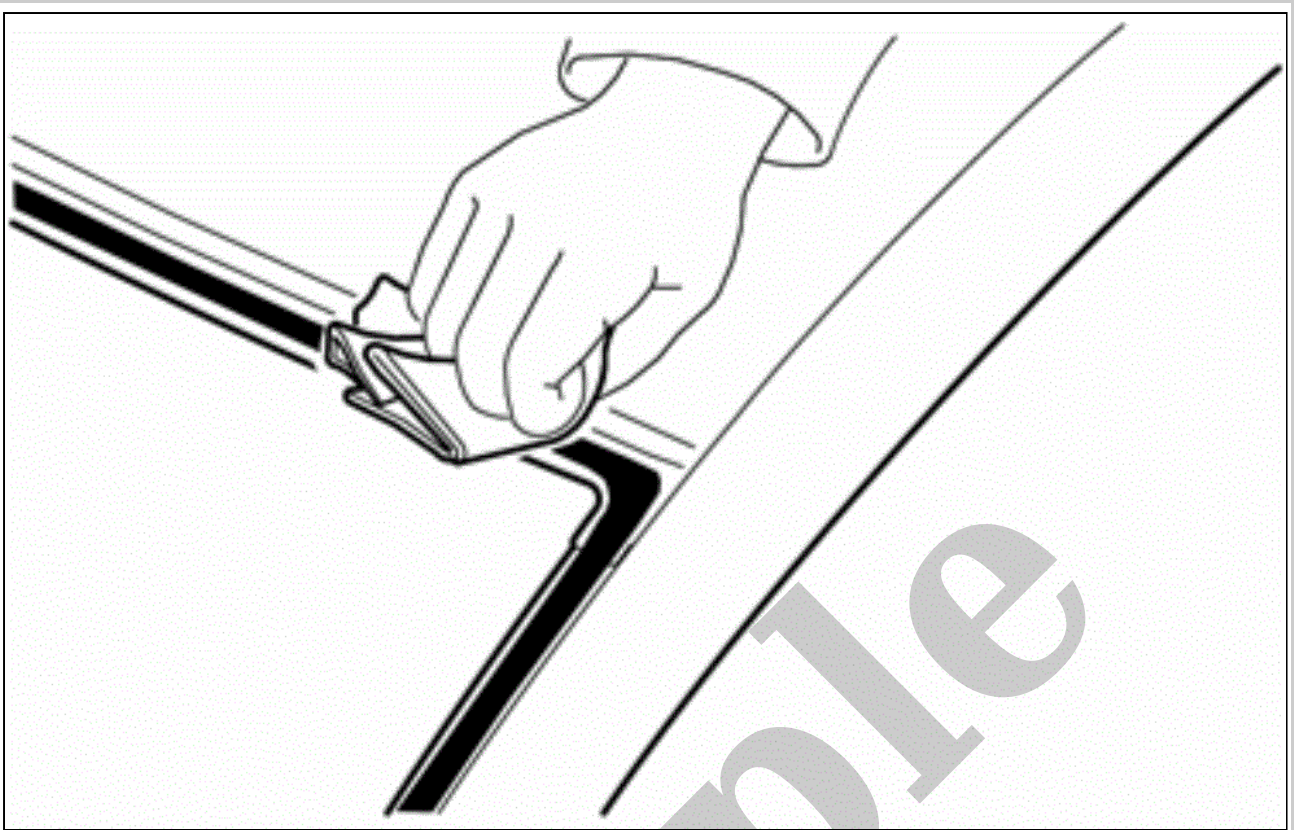
Special Tool: 951 2925 Rollout 2000



Courtesy of VOLVO CARS CORPORATION



Courtesy of VOLVO CARS CORPORATION

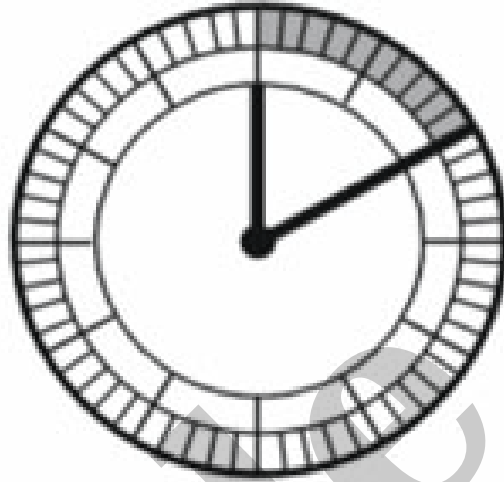
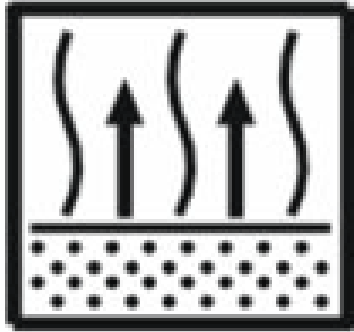


Courtesy of VOLVO CARS CORPORATION

Use: H Cleaner, 31375637

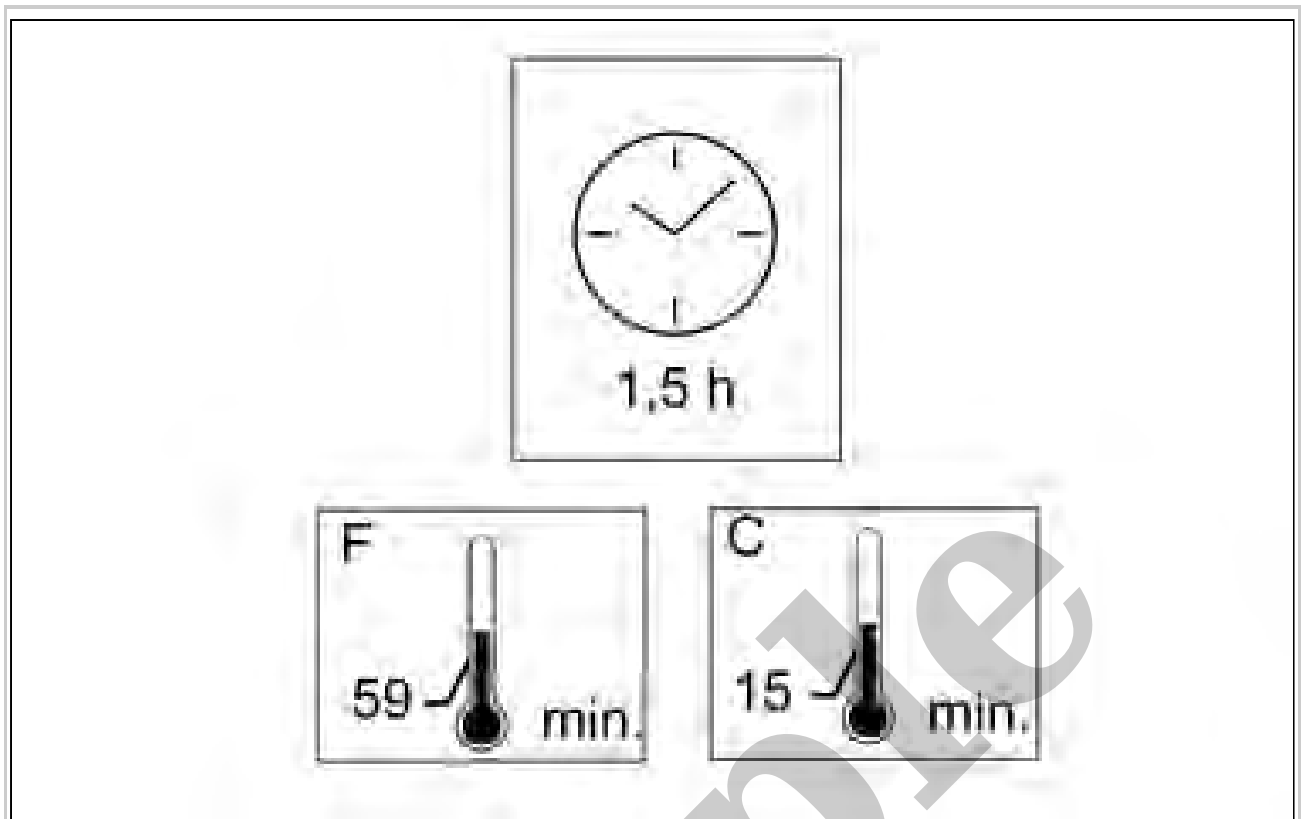
Sample

10min



Courtesy of VOLVO CARS CORPORATION

Sample



Courtesy of VOLVO CARS CORPORATION

WARNING: *Wait for the specified time at the specified temperature before moving the car.*

REAR WINDOW TAILGATE > REAR WINDOW TAILGATE [2018-2022] > INSTALLATION

Install spoiler rear. Refer to: SPOILER REAR

Install wiper motor, rear. Refer to: WIPER MOTOR, REAR

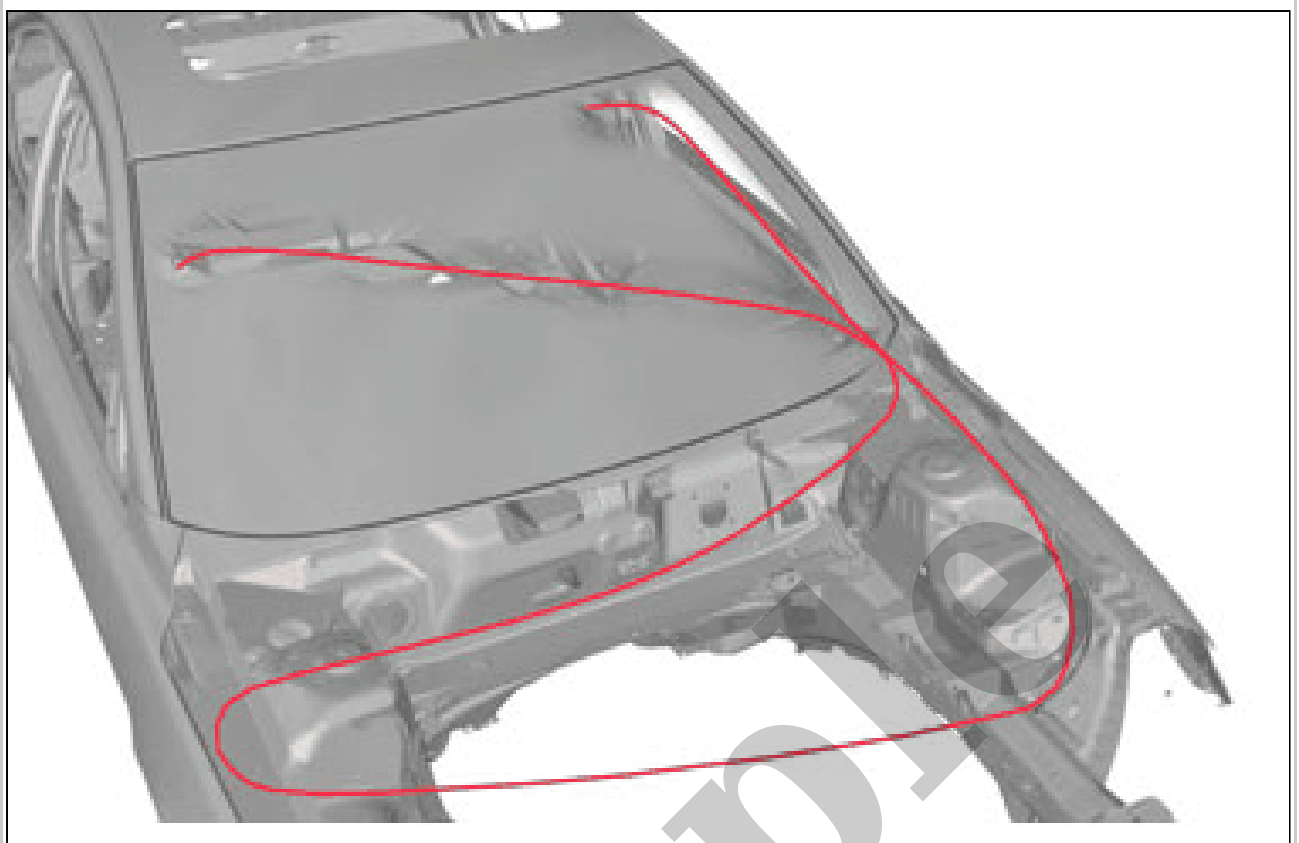
To install, reverse the removal procedure.

WINDSHIELD > WINDSHIELD [2021-2022, E400V6] > REMOVAL

NOTE: *Make sure that the vehicle is standing on a level surface.*

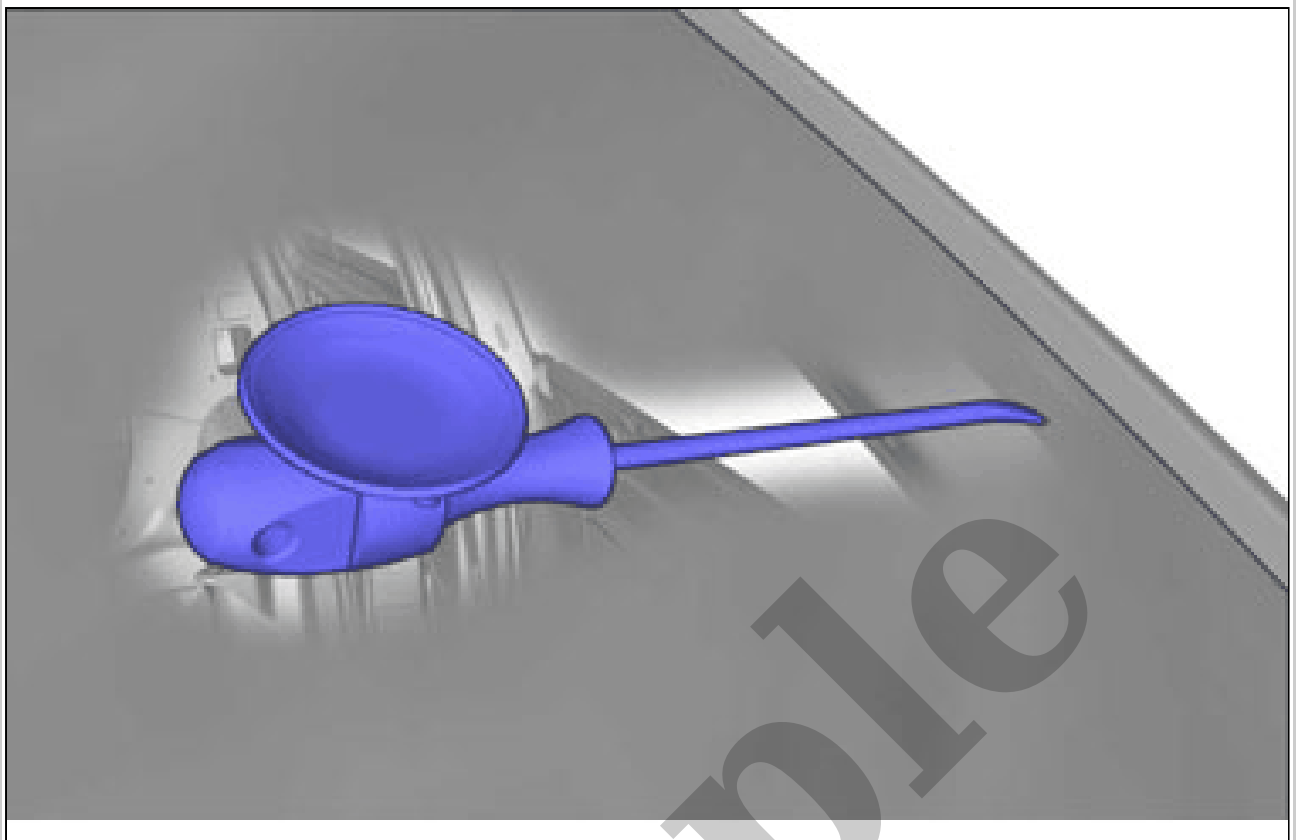
See information about bonded windows, general safety information. Refer to: BONDED WINDOW, GENERAL SAFETY INFORMATION

See information about bonded windows, general information. Refer to: BONDED WINDOW GENERAL, INFORMATION



Courtesy of VOLVO CARS CORPORATION

Sample



Courtesy of VOLVO CARS CORPORATION

CAUTION: *Make sure that the components are protected.*