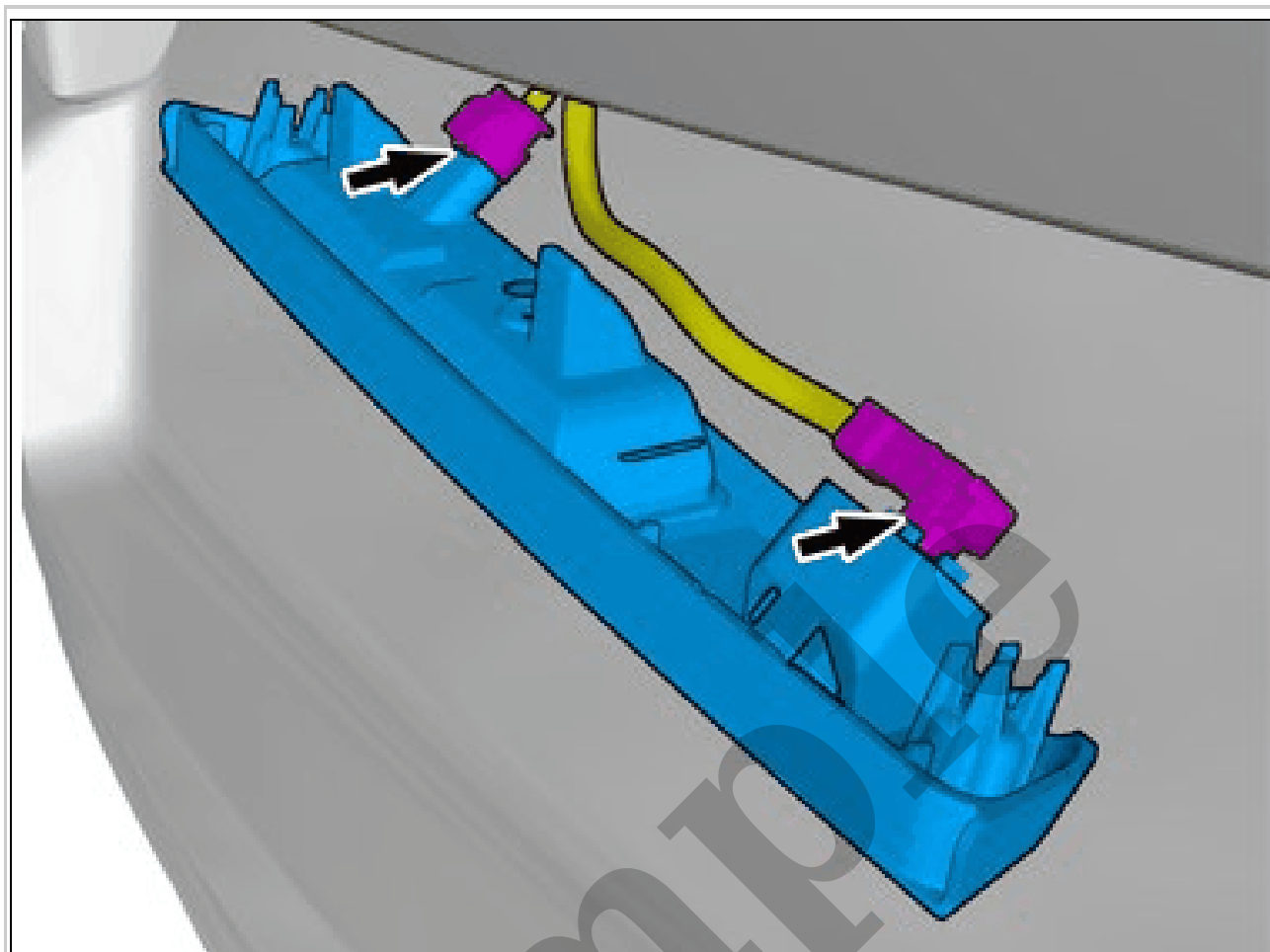


Your Ultimate Source for OEM Repair Manuals

FactoryManuals.net is a great resource for anyone who wants to save money on repairs by doing their own work. The manuals provide detailed instructions and diagrams that make it easy to understand how to fix a vehicle.

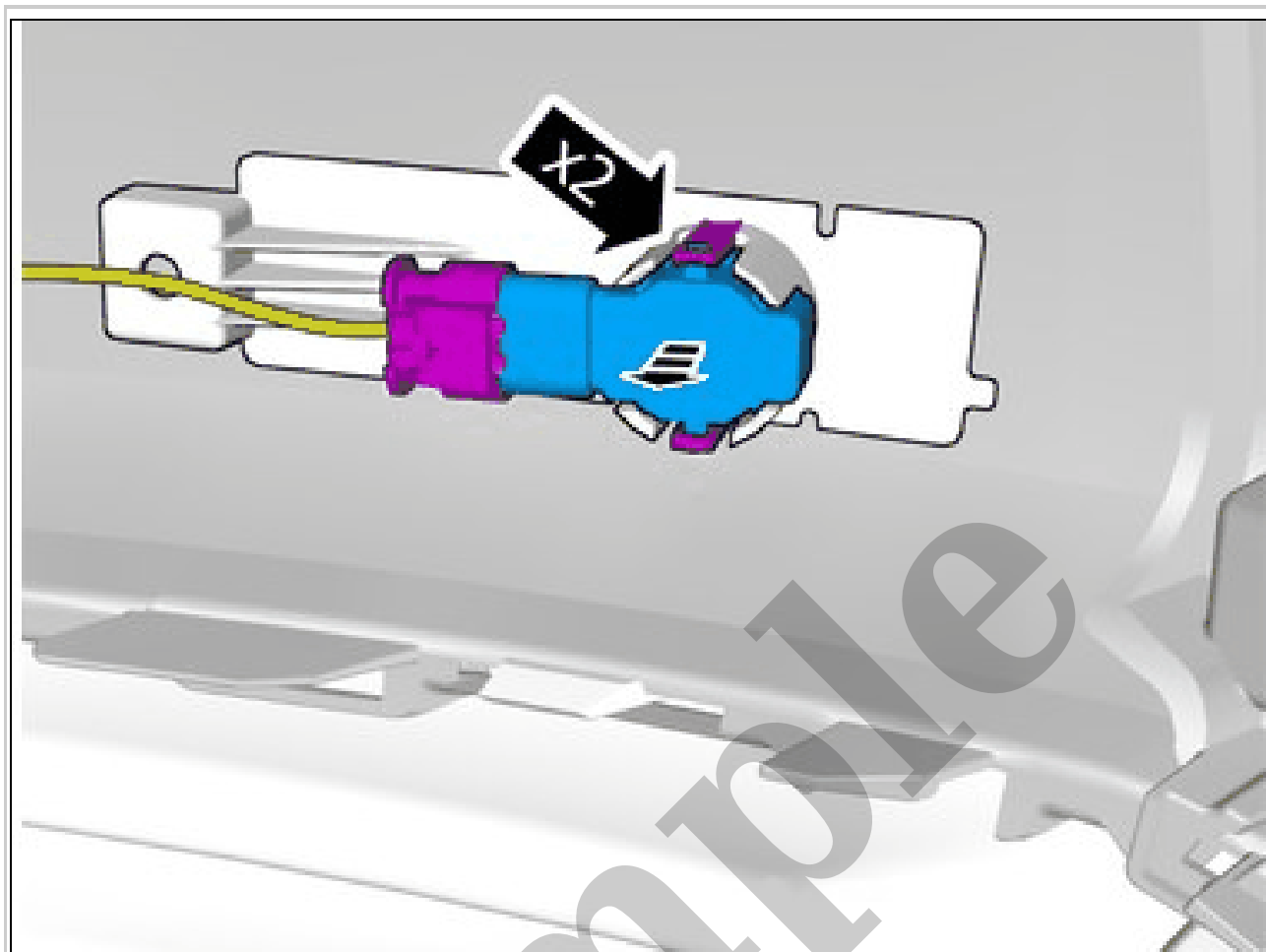
2021 Volvo V60 Cross Country Service and Repair Manual

[Go to manual page](#)



Courtesy of VOLVO CARS CORPORATION

Disconnect the connectors.
Remove the marked part.

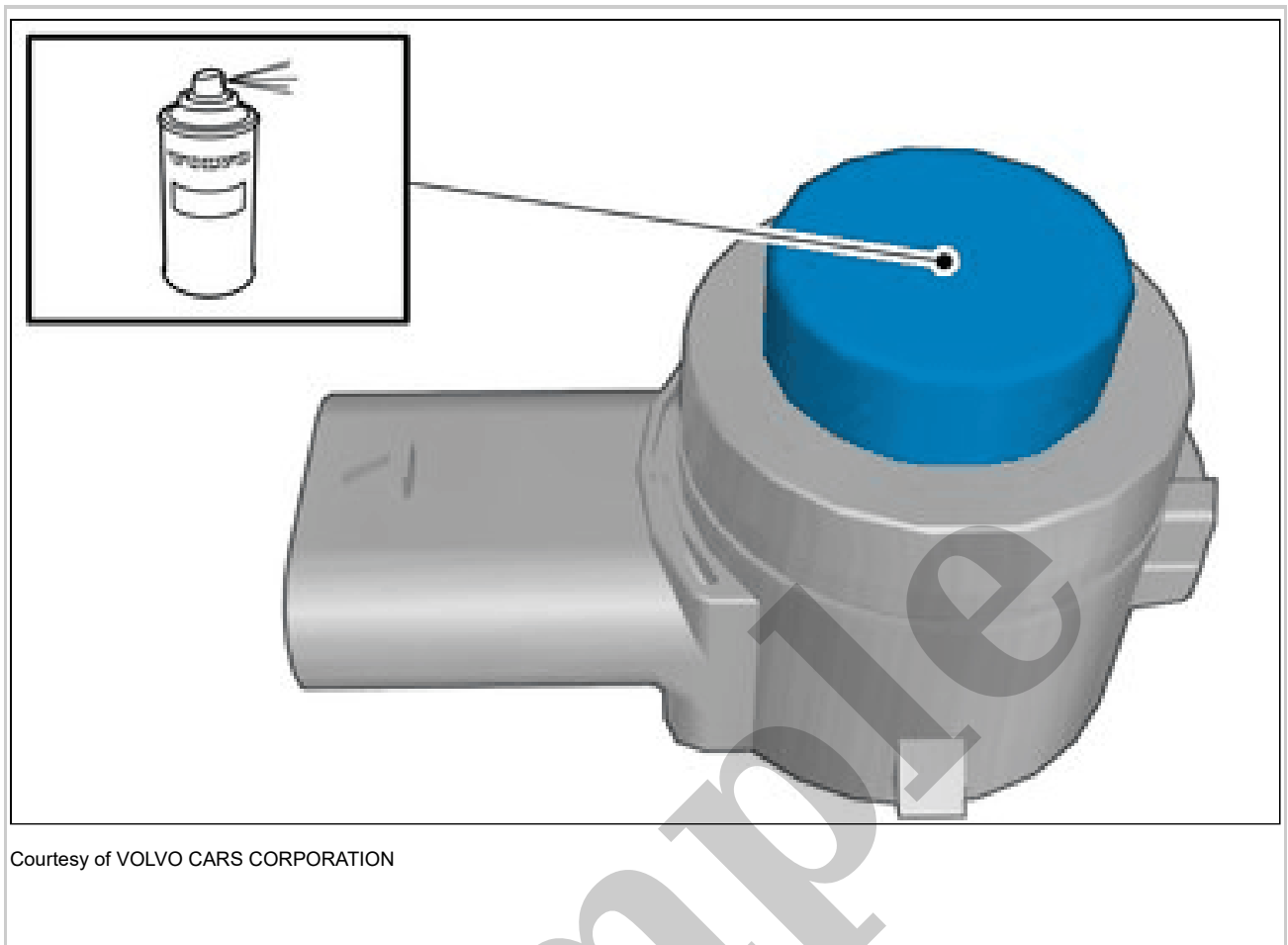


Courtesy of VOLVO CARS CORPORATION

Disconnect the connector.
Release the catches.
Remove the marked part.

PARKING ASSISTANCE SENSOR, FRONT > PARKING ASSISTANCE SENSOR, FRONT [2018-2019] > INSTALLATION

NOTE: *The following steps are only necessary when installing a new component.*



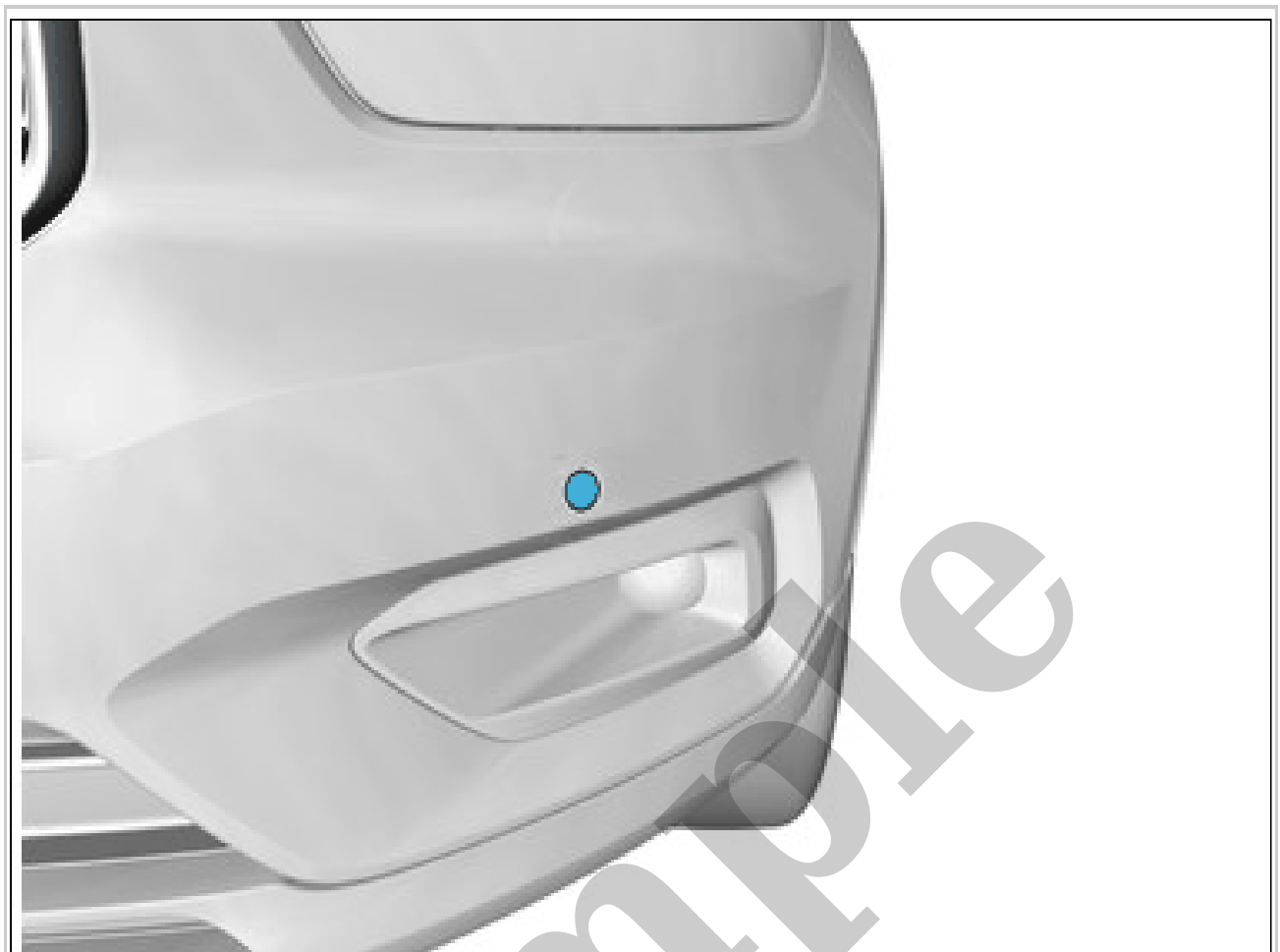
Courtesy of VOLVO CARS CORPORATION

CAUTION: *Protect connector surfaces against paint spray.*

NOTE: *Paint the sensors the same color code as the vehicle.*

Use: Volvo Original Touch-up paint,
Use base coat only.

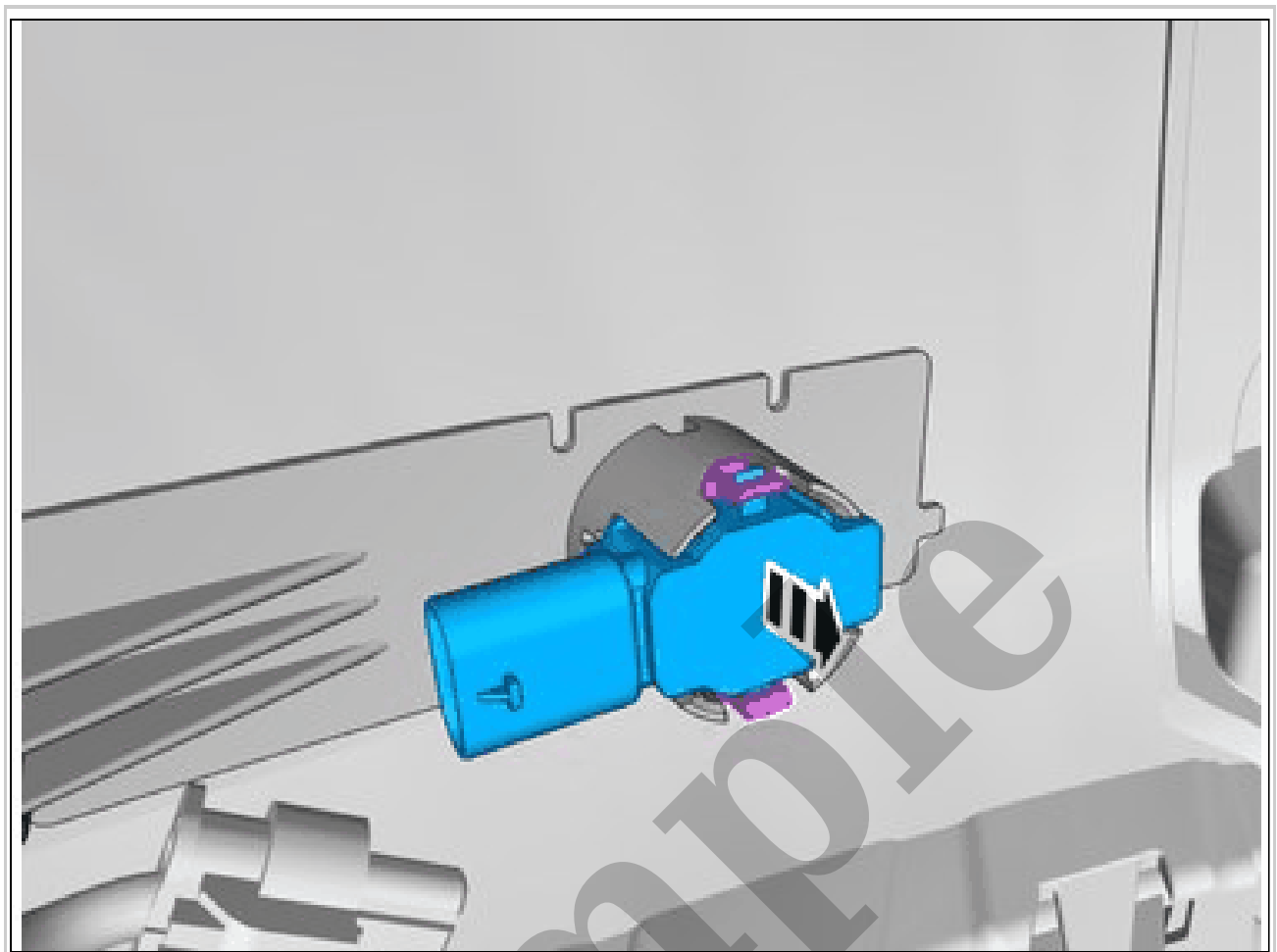
Use: Varnish 2-component, 31335447
Also see the instructions on the container.



Courtesy of VOLVO CARS CORPORATION

NOTE: *Orientation view*

Set the vehicle to Inactive mode, described in user mode. Refer to: USAGE MODE
Remove relevant side wheel. Refer to: WHEELS

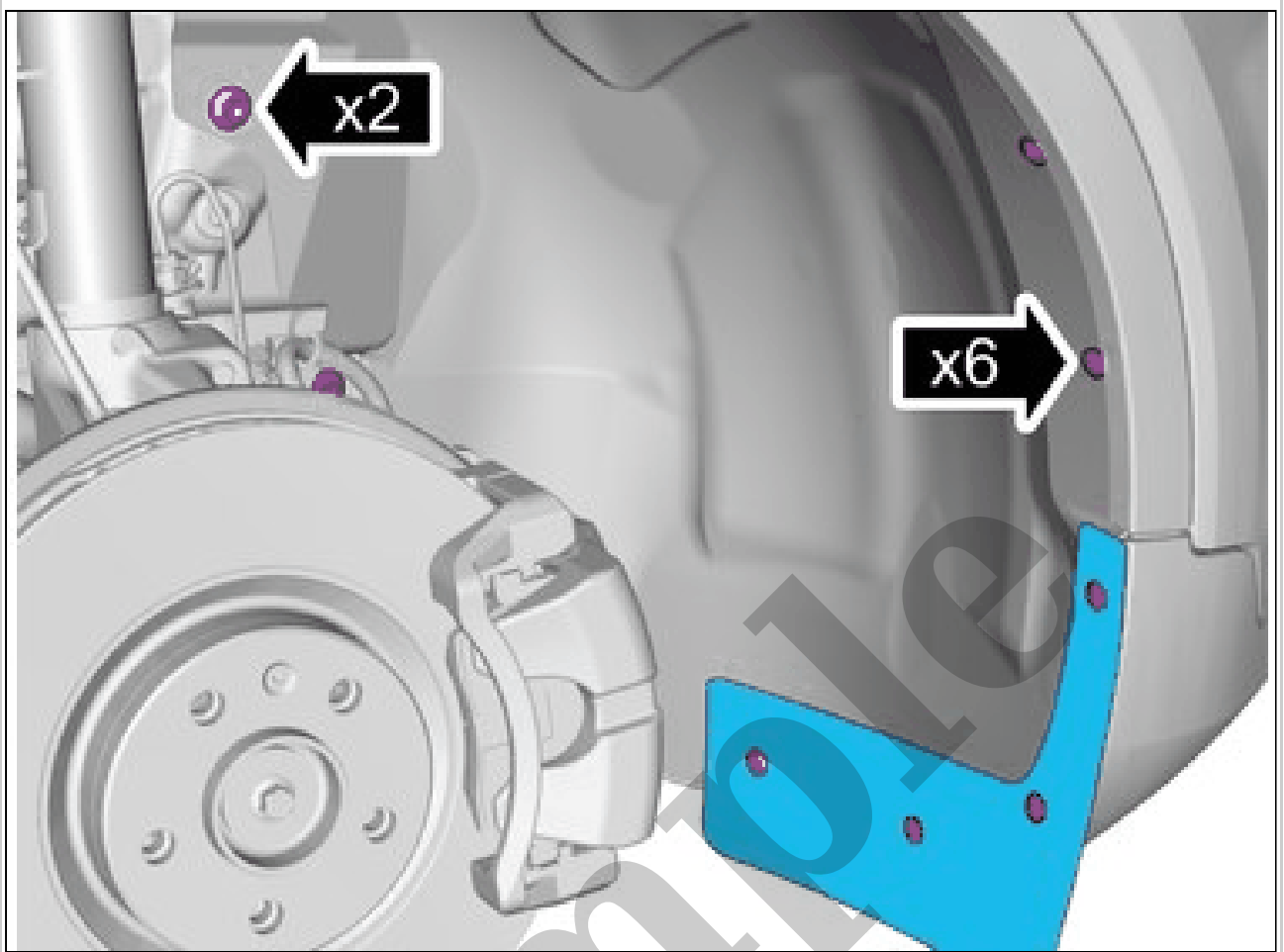


Courtesy of VOLVO CARS CORPORATION

Release the catches.

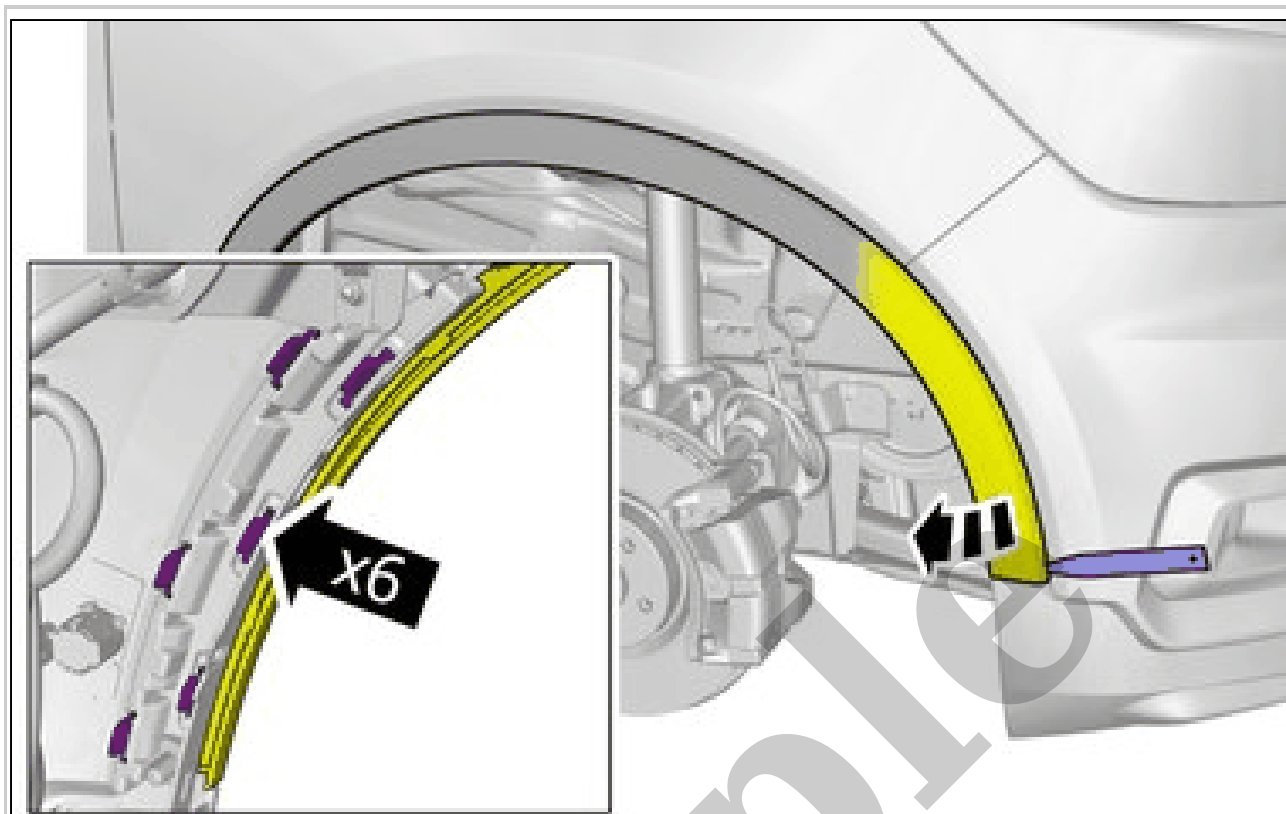
Remove the marked part.

APPLIES TO THE RIGHT-HAND SIDE



Courtesy of VOLVO CARS CORPORATION

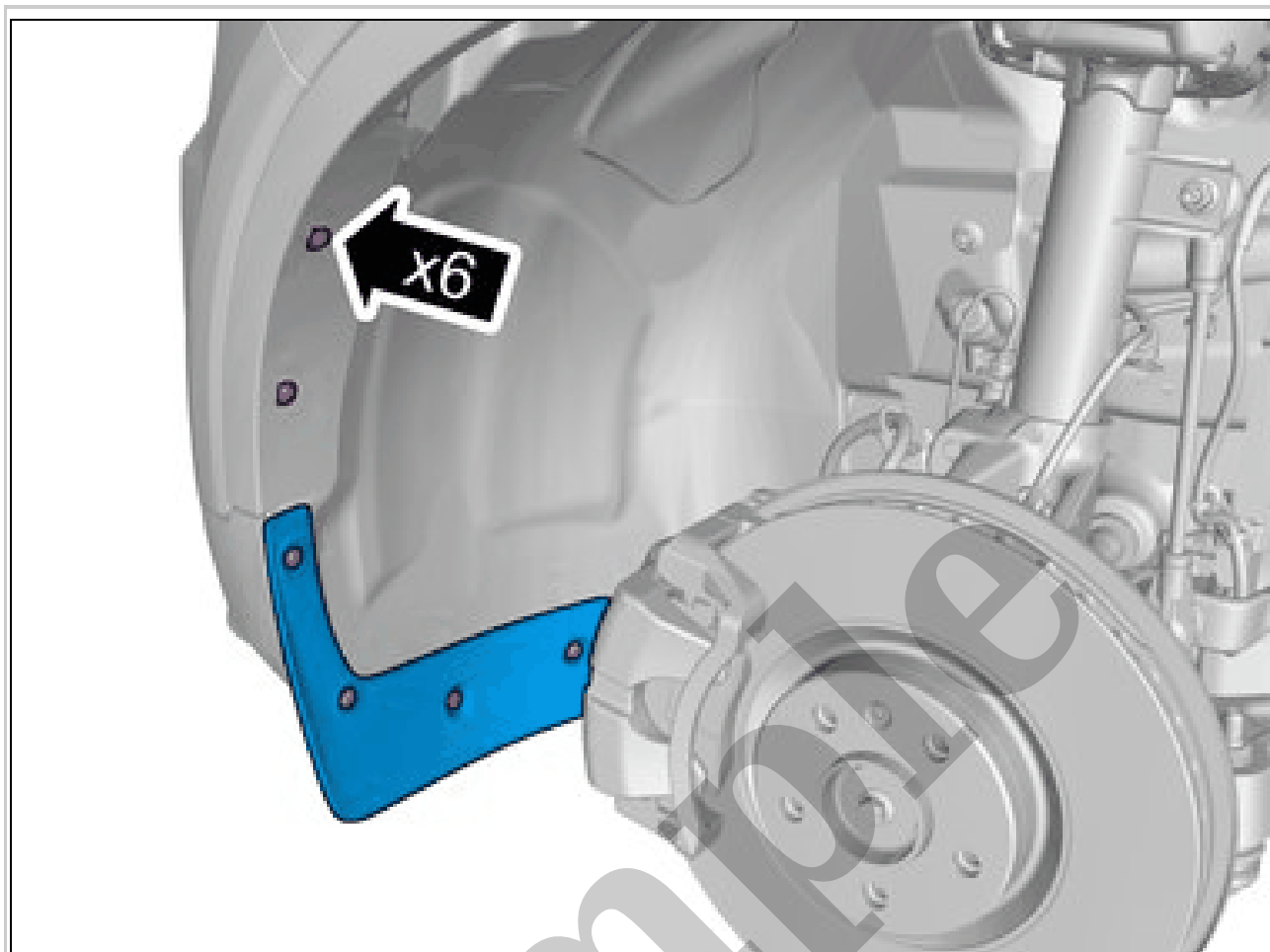
- Remove the screws.
- Remove the nuts.
- Remove the marked part.



Courtesy of VOLVO CARS CORPORATION

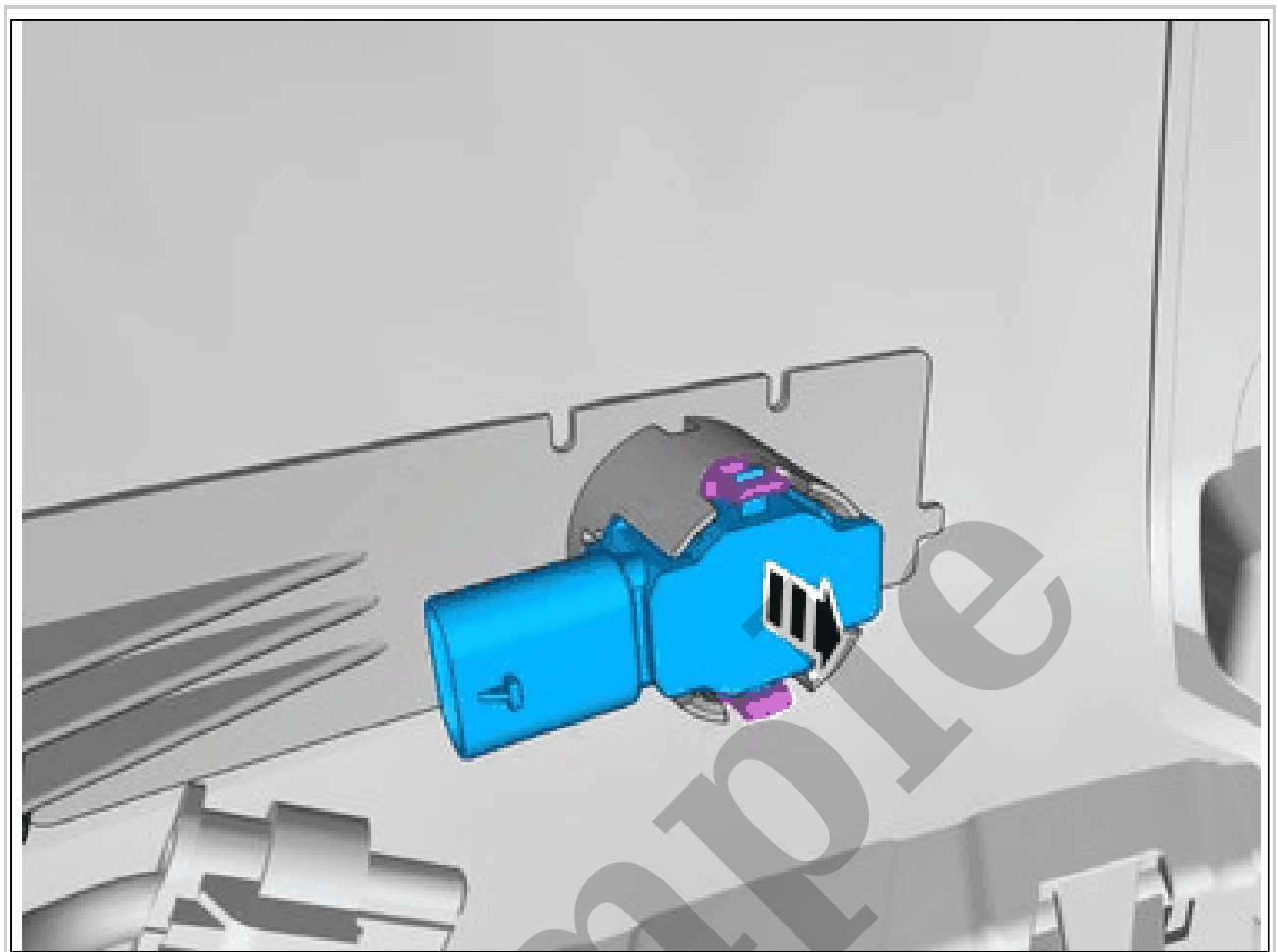
CAUTION: Make sure not to damage painted surfaces.

Loosen the component indicated. Do not remove it.



Courtesy of VOLVO CARS CORPORATION

Remove the screws.
Remove the marked part.



Courtesy of VOLVO CARS CORPORATION

Release the catches.

Remove the marked part.

APPLIES TO THE RIGHT-HAND SIDE