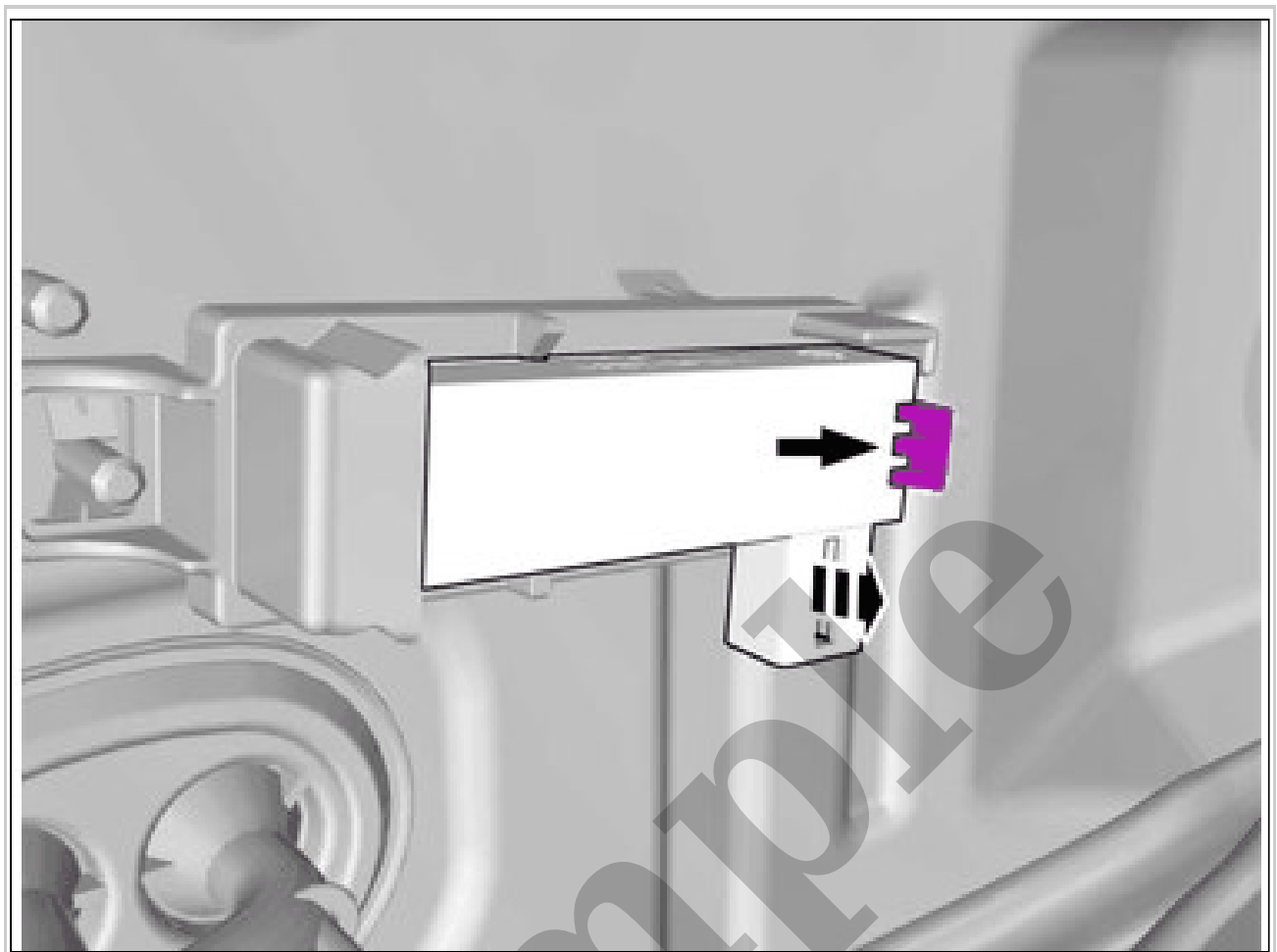


# Your Ultimate Source for OEM Repair Manuals

FactoryManuals.net is a great resource for anyone who wants to save money on repairs by doing their own work. The manuals provide detailed instructions and diagrams that make it easy to understand how to fix a vehicle.

## 2021 Volvo S90 Service and Repair Manual

[Go to manual page](#)



Courtesy of VOLVO CARS CORPORATION

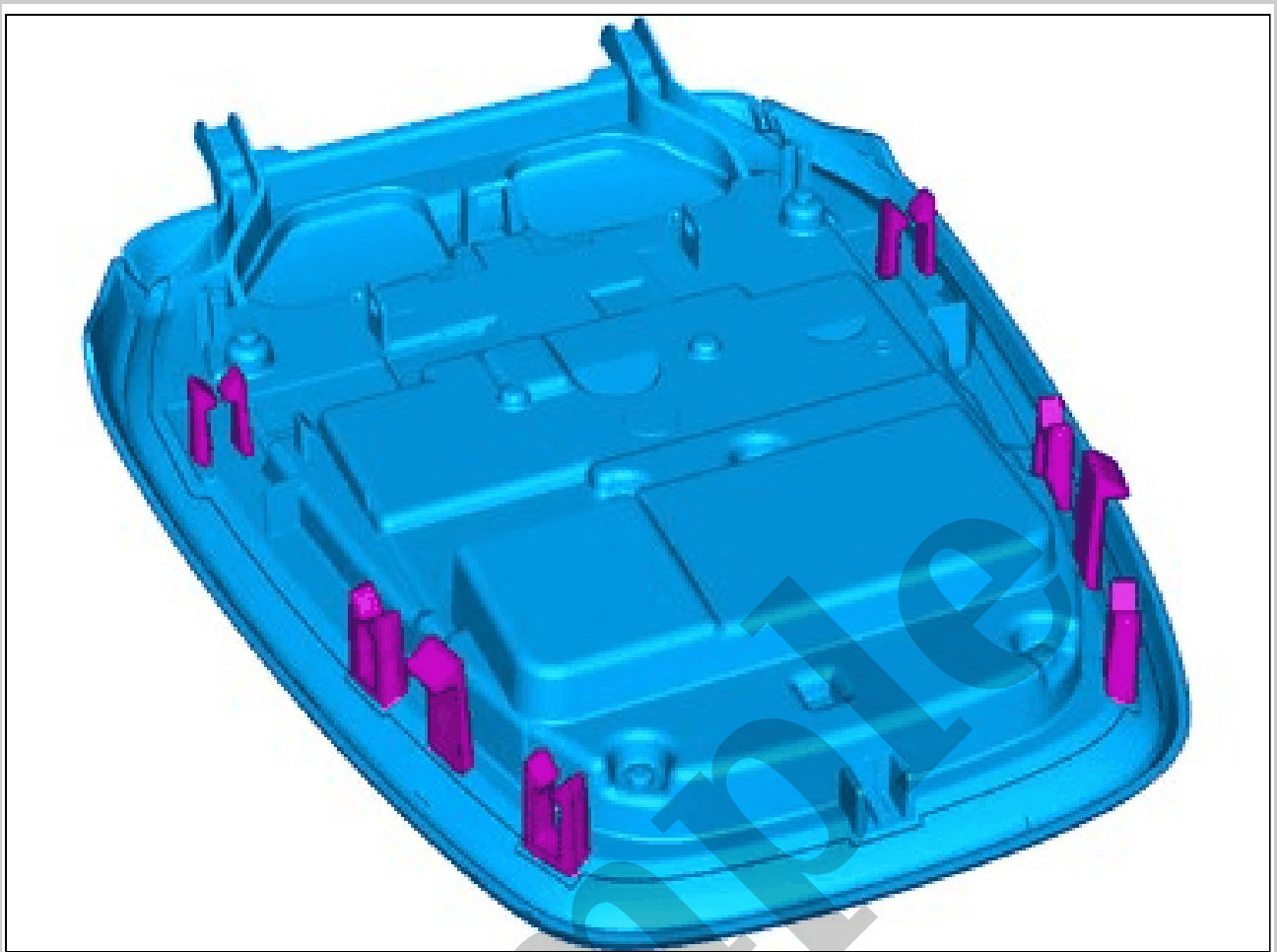
Release the lock.  
Remove the marked part.

### **ANTENNA, KEYLESS VEHICLE, REAR > ANTENNA, KEYLESS VEHICLE, REAR [2018-2022] > INSTALLATION**

To install, reverse the removal procedure.

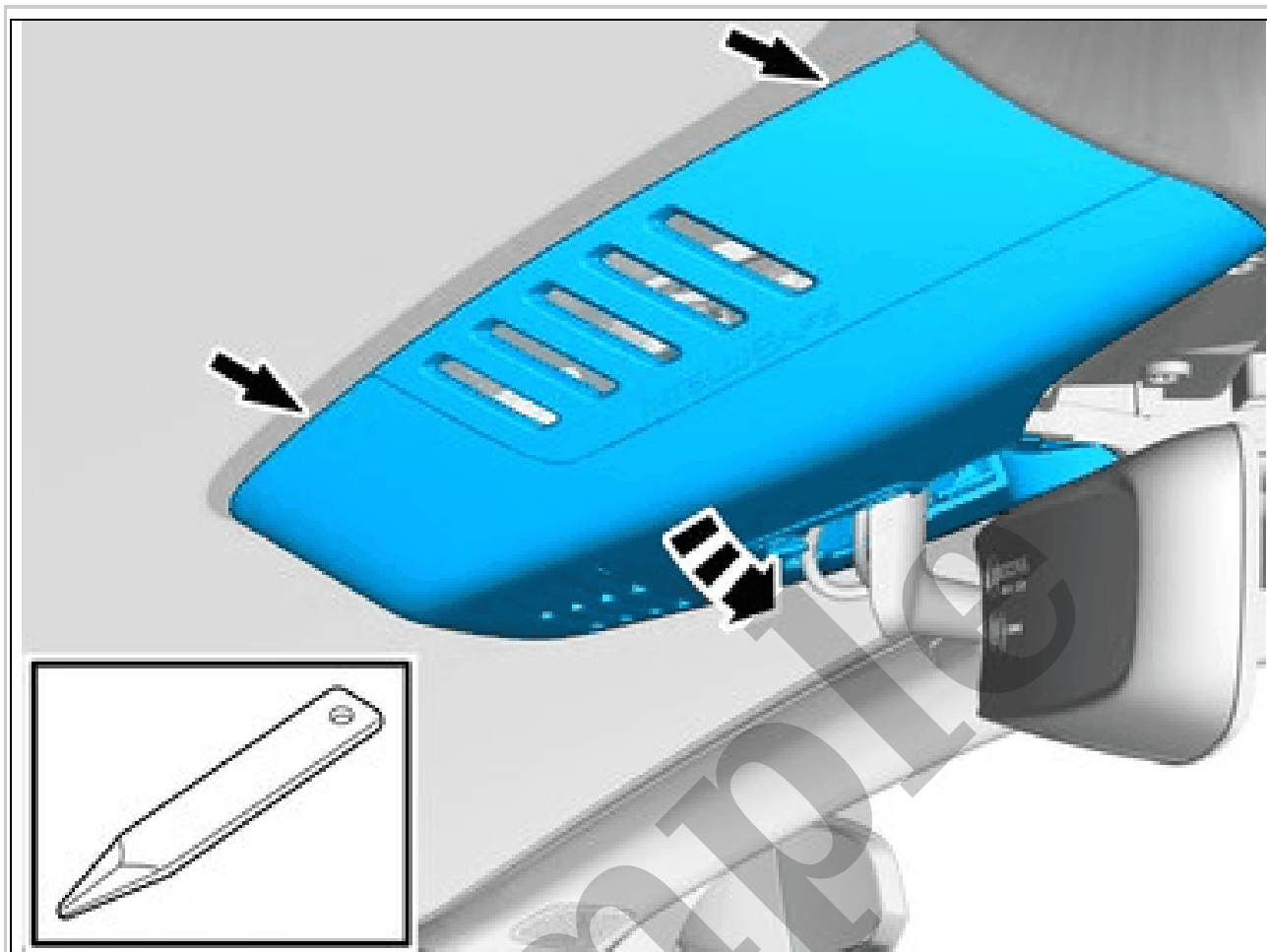
### **ANTENNA, KEYLESS VEHICLE, REAR DOOR > ANTENNA, KEYLESS VEHICLE, REAR DOOR [2018-2022] > REMOVAL**

Set the vehicle to Inactive mode, described in user mode. Refer to: USAGE MODE  
Remove panel side door rear. Refer to: PANEL REAR DOOR



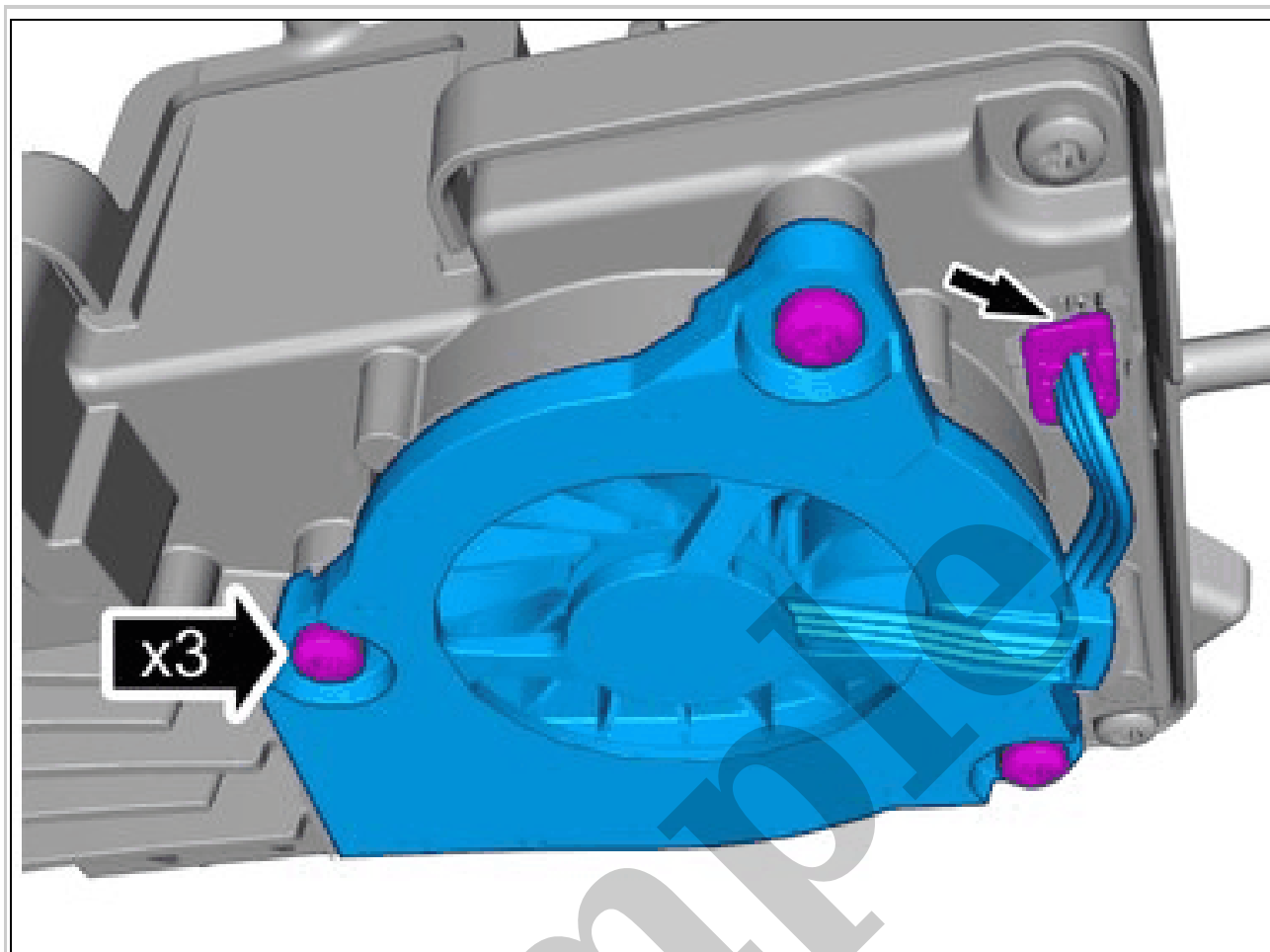
Courtesy of VOLVO CARS CORPORATION

**NOTE:** *The graphic shows the back of the component before removal.*



Courtesy of VOLVO CARS CORPORATION

Release the catches.  
Repeat on the other side.  
Remove the marked part.  
**Use:** Interior trim remover



Courtesy of VOLVO CARS CORPORATION

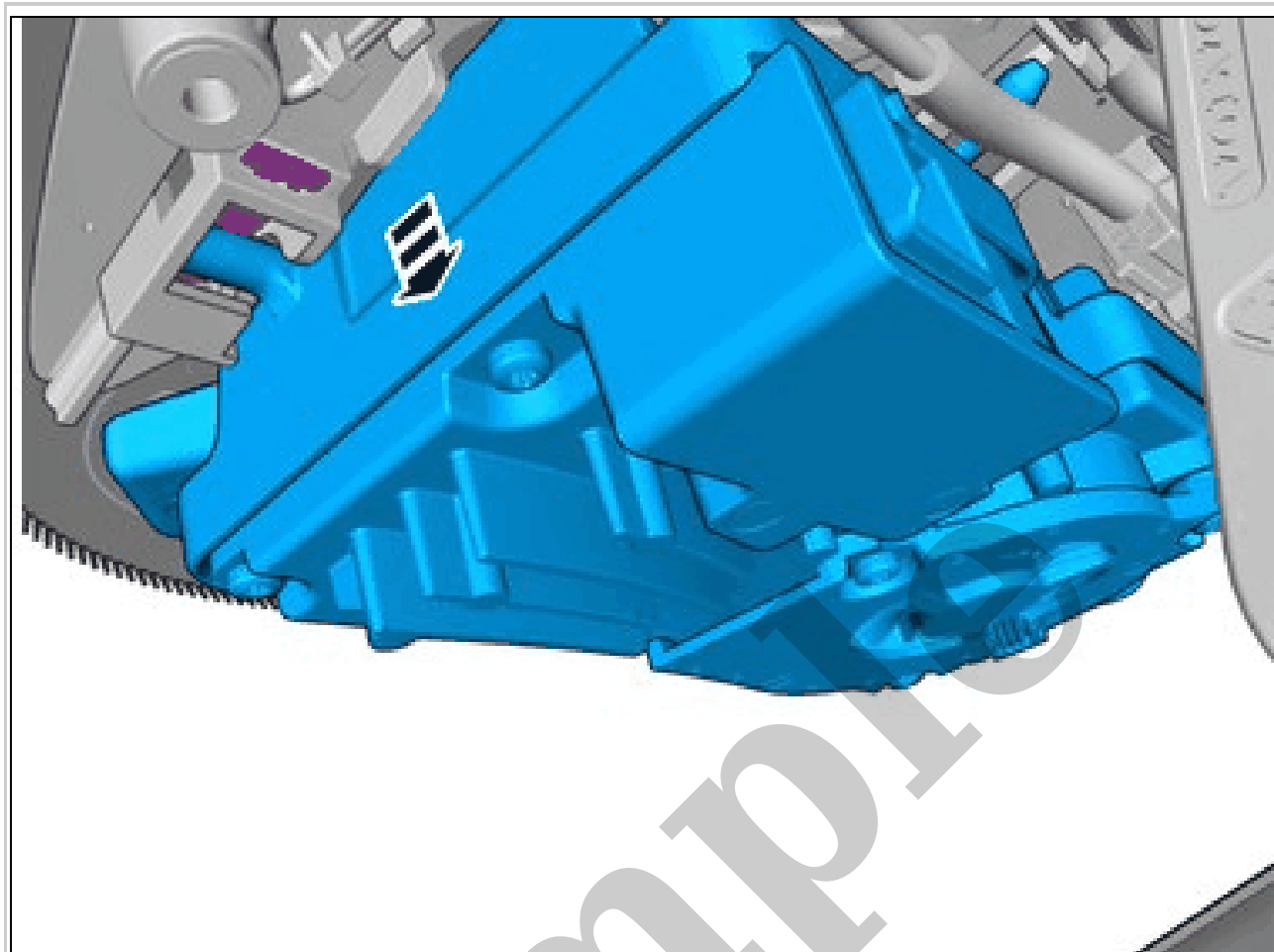
Disconnect the connector.  
Remove the screws.  
Remove the marked part.

**COOLING FAN, FORWARD LOOKING CAMERA > COOLING FAN, FORWARD  
LOOKING CAMERA (FLC) [2022 | 2021, E400V6] > INSTALLATION**



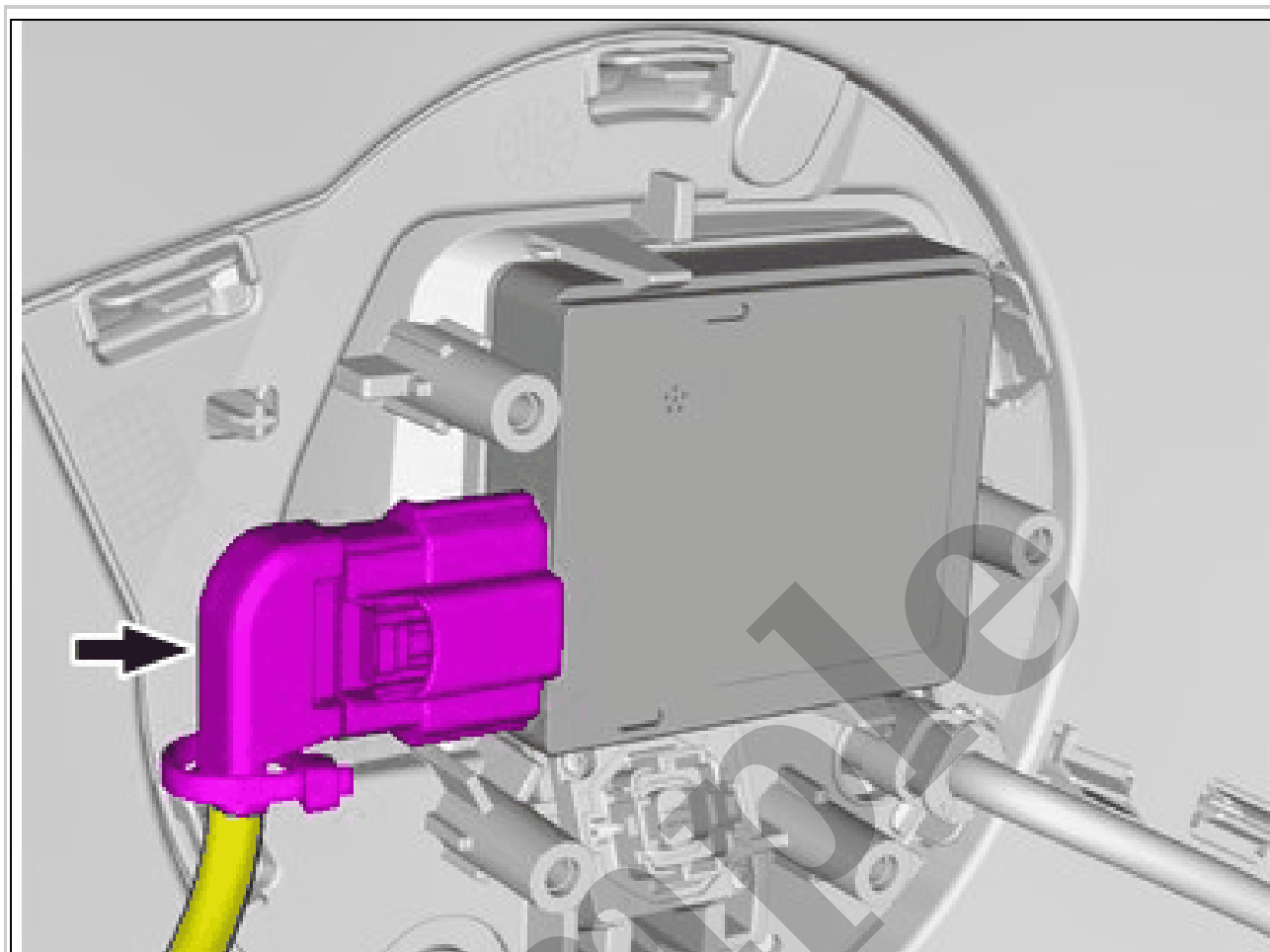
Courtesy of VOLVO CARS CORPORATION

Remove the marked part.



Courtesy of VOLVO CARS CORPORATION

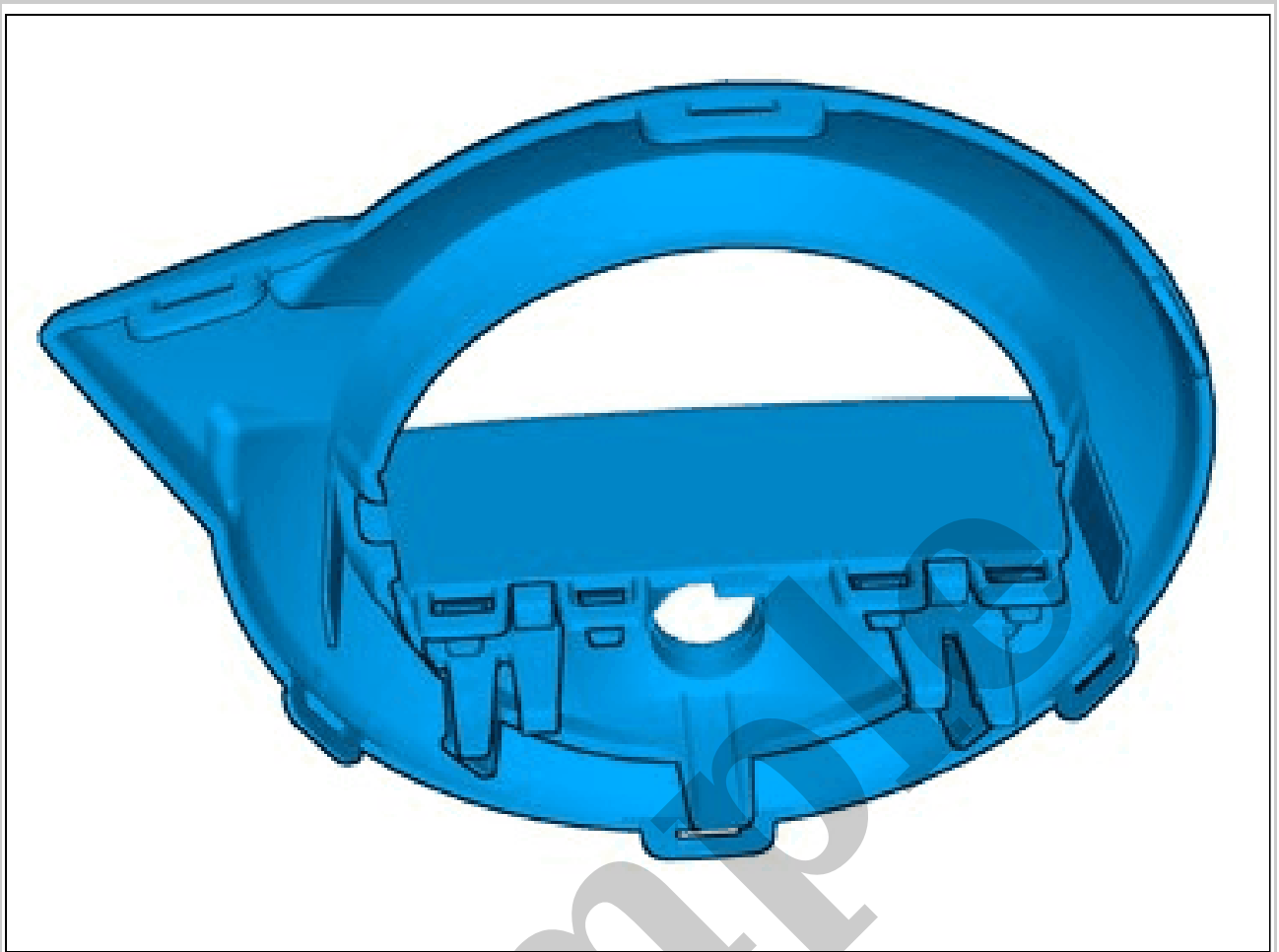
Tilt the component somewhat.



Courtesy of VOLVO CARS CORPORATION

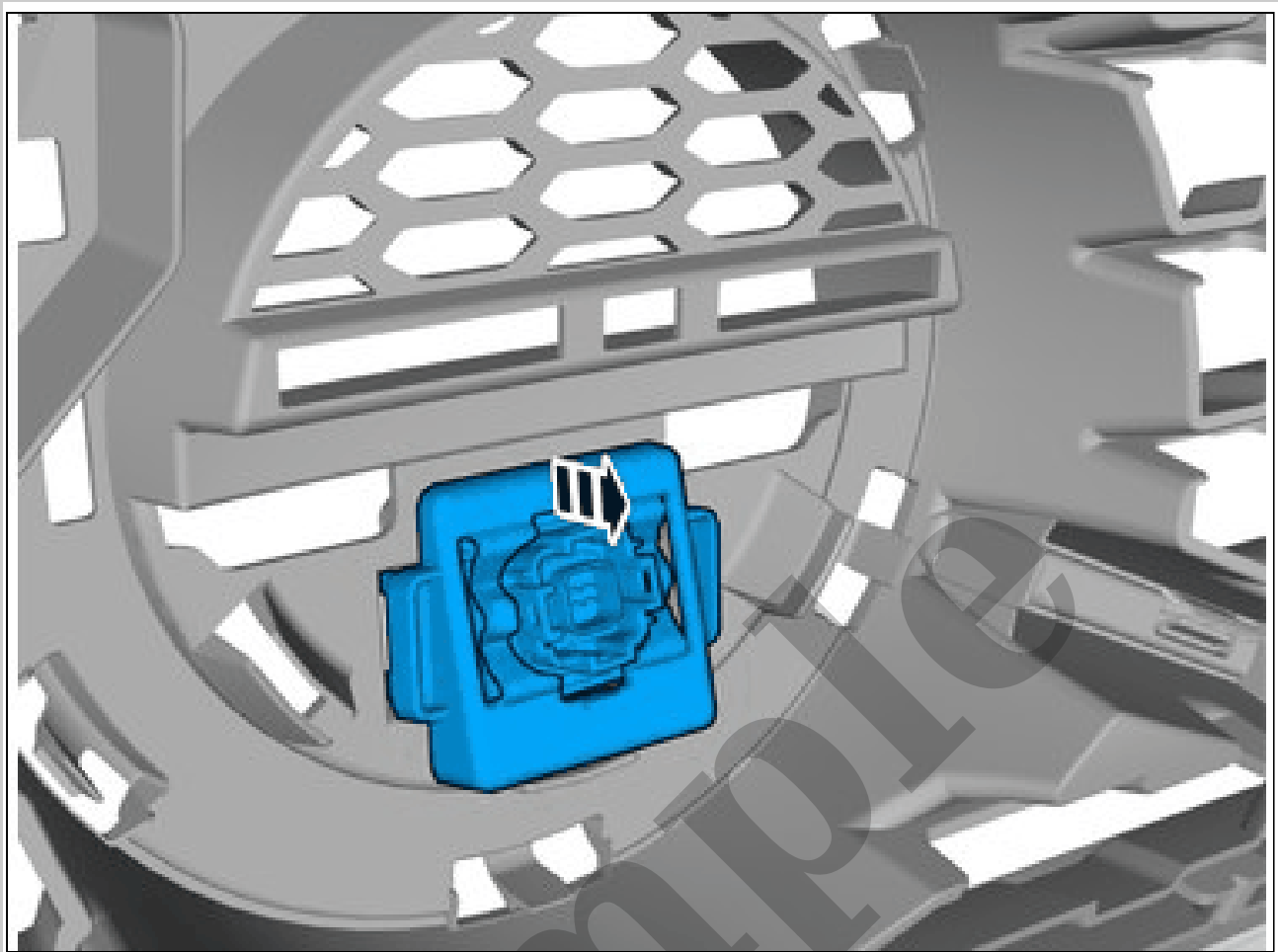
Release the connector's catch.  
Disconnect the connector.





Courtesy of VOLVO CARS CORPORATION

**NOTE:** *The graphic shows the back of the component before removal.*



Courtesy of VOLVO CARS CORPORATION

Remove the marked part.

### **PARKING ASSISTANCE CAMERA, FRONT > PARKING ASSISTANCE CAMERA, FRONT [2018-2020 | 2021-2022, B4204T18 | 2021-2022, B4204T47] > INSTALLATION**

To install, reverse the removal procedure.

Calibrate WAM according to: Diagnostics / Components / Control modules /Wide Angle Vision Module (WAM) / Diagnostic sequences / Calibrating parking assistance cameras

### **PARKING ASSISTANCE CAMERA, FRONT > PARKING ASSISTANCE CAMERA, FRONT [2021-2022, E400V6] > REMOVAL**

Perform battery disconnecting and connecting. Refer to: BATTERY DISCONNECTING AND CONNECTING

Remove casing bumper front. Refer to: COVER BUMPER FRONT