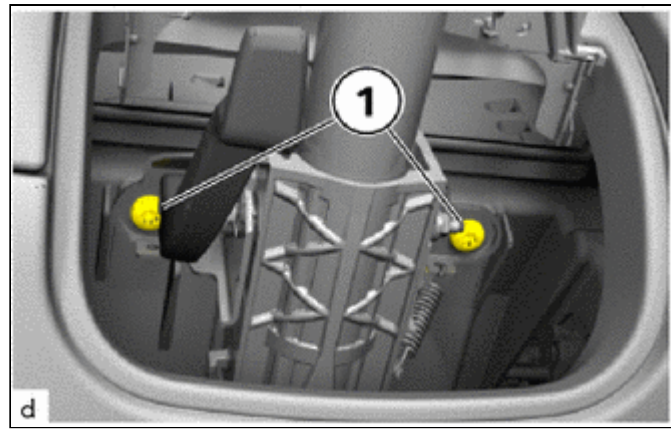


Your Ultimate Source for OEM Repair Manuals

FactoryManuals.net is a great resource for anyone who wants to save money on repairs by doing their own work. The manuals provide detailed instructions and diagrams that make it easy to understand how to fix a vehicle.

2021 Toyota Highlander Kluger Service Manual

[Go to manual page](#)



(e) Position T45 bolts (1) on the steering column assembly at the top.

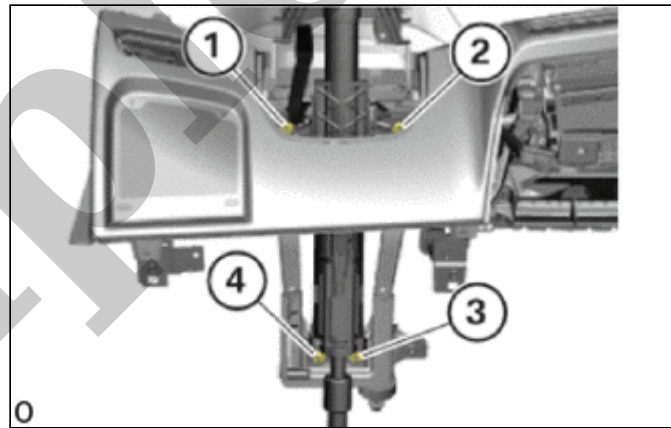
HINT:

Tightening occurs in the sequence in the next work step.

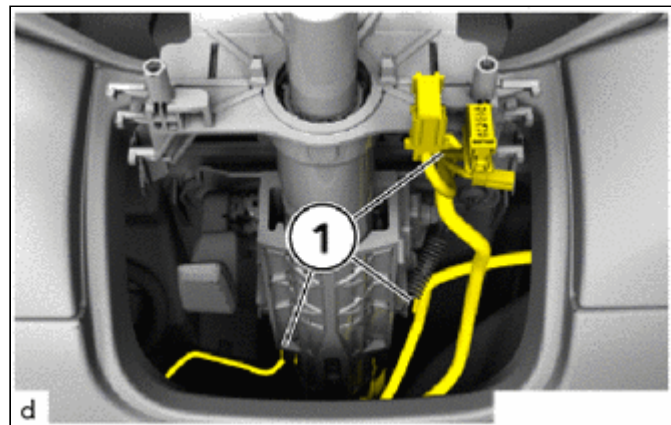
(f) The bolts must be tightened in the order (1) to (4).

Torque:

28 N·m {286 kgf·cm, 21 ft·lbf}



(g) Clip in the vehicle wiring harness into the bracket (1).



2. INSTALL LOWER NO. 1 INSTRUMENT PANEL AIRBAG ASSEMBLY

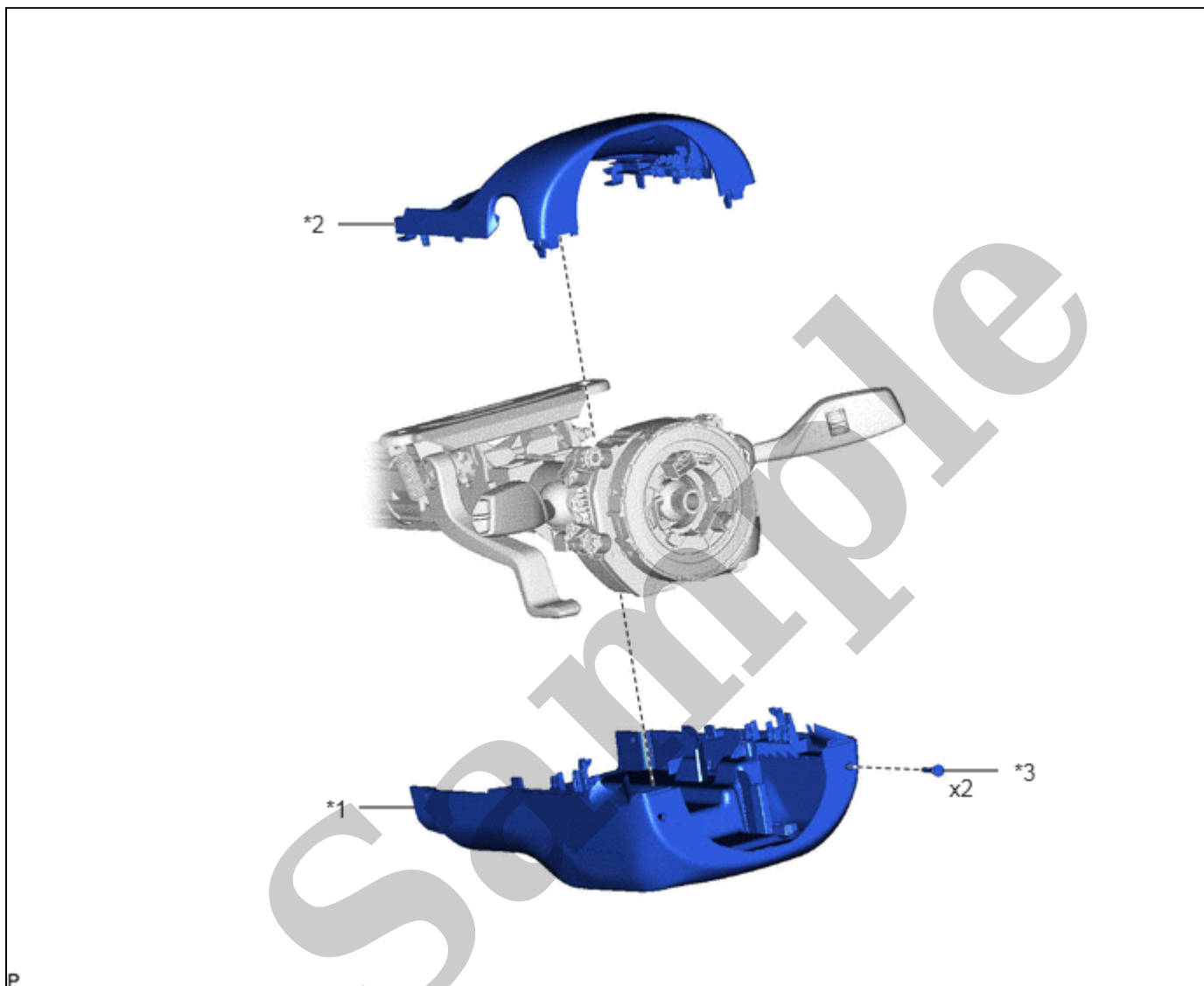
Click here [INFO](#) [INFO](#)

3. INSTALL TURN SIGNAL SWITCH ASSEMBLY

Click here [INFO](#) [INFO](#)

COMPONENTS

ILLUSTRATION

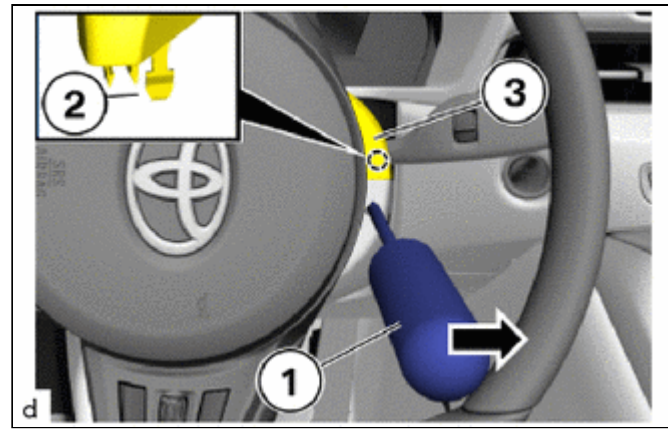


*1	LOWER STEERING COLUMN COVER	*2	UPPER STEERING COLUMN COVER
*3	RUBBER PLUG	-	-



HINT:

Use the same procedure for the opposite side.

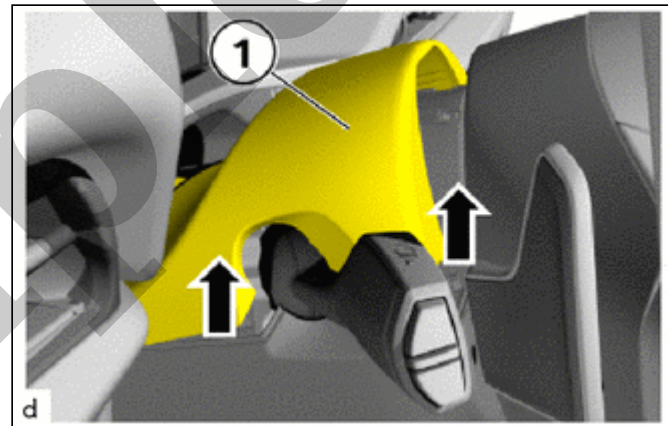


(e) Press the upper steering column cover (3) to the top at the same time.

HINT:

Use the same procedure for the opposite side.

(f) Guide the upper steering column cover (1) out to the top.

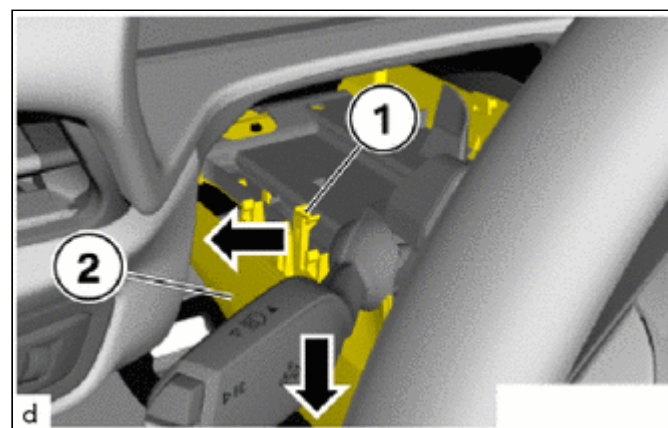


3. REMOVE LOWER STEERING COLUMN COVER

(a) Push the retaining lug (1) to the outside in the direction of the arrow and unclip the lower steering column cover (2) in the direction of the arrow to the bottom.

HINT:

Use the same procedure for the opposite side.



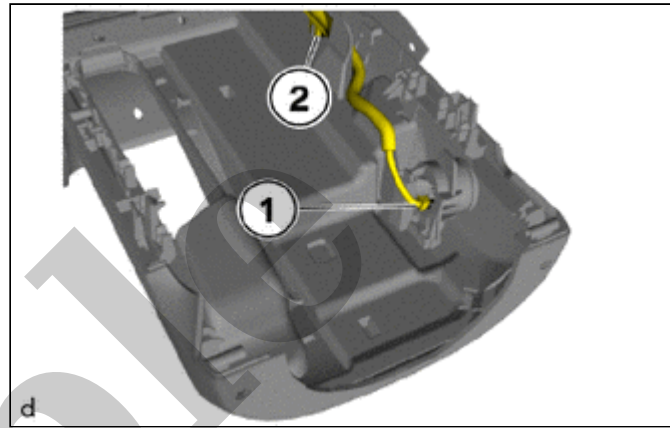
(b) Tilt the lower steering column cover (1) down.

INSTALLATION

PROCEDURE

1. INSTALL LOWER STEERING COLUMN COVER

(a) Connect connectors (1) and lock.

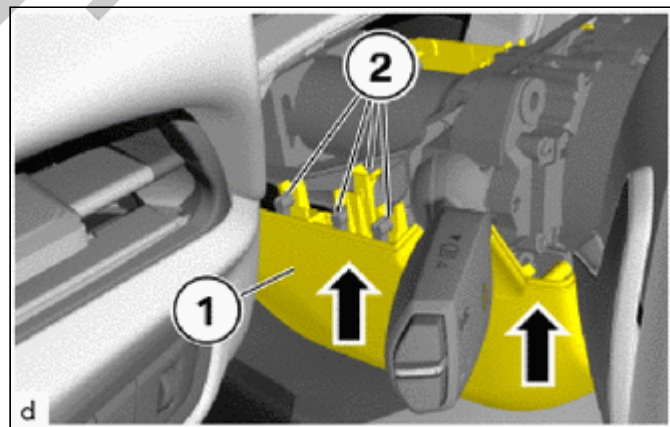


(b) Engage the cable clip (2).

(c) Align the lower steering column cover (1) at the retaining lugs (2) to the steering column.

HINT:

Use the same procedure for the opposite side.



(d) Press the lower steering column cover (1) upwards in direction of arrow until the retaining lugs (2) engage.

HINT:

Use the same procedure for the opposite side.

2. INSTALL UPPER STEERING COLUMN COVER

(a) Guide in the upper steering column cover (1).

HINT:

Use the same procedure for the opposite side.