

# Your Ultimate Source for OEM Repair Manuals

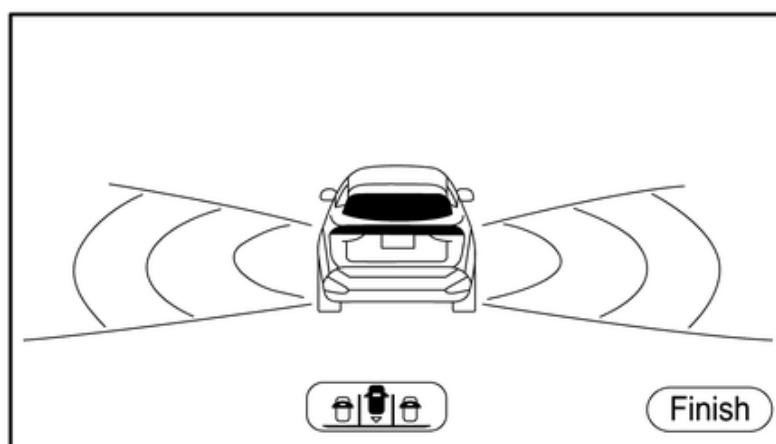
FactoryManuals.net is a great resource for anyone who wants to save money on repairs by doing their own work. The manuals provide detailed instructions and diagrams that make it easy to understand how to fix a vehicle.

## 2021 NISSAN Micra Service and Repair Manual

[Go to manual page](#)

No.	Name	Function
		<ul style="list-style-type: none"> <li>• Touch to change the parking method.</li> </ul>
②	Start/Resume	Touch this key to start the ProPILOT Park control.
③	Finish/Cancel	Touch this key to deactivate ProPILOT Park.
④	Parking space detection icon	<p>Indicates which side of parking space is detected during parking space search.</p> <ul style="list-style-type: none"> <li>• ▷: A parking space is detected on the right side.</li> <li>• ◁: A parking space is detected on the left side.</li> </ul>
⑤	Clearance Guidelines (Red)	Indicates the approximate area that the vehicle will pass through when parking control is active.
⑥	Parking guide box adjustment icon	Touch this key to adjust the location of the parking guide box.
⑦	Parking guide box (Green)	This indicates the approximate position where the vehicle will be parked. The box turns light blue when parking control is active.
⑧	Ⓟ (Blue)	Indicates the position where the vehicle will be parked.
⑨	Ⓟ (Colorless)	<ul style="list-style-type: none"> <li>• Indicates a selectable parking position besides the selected parking position.</li> <li>• When touched, the icon will change to blue.</li> </ul>
⑩	Settings icon	Touch this icon to change the ProPILOT Park settings.
⑪	ProPILOT Park control icon	<p>The ProPILOT Park control status is indicated by colors.</p> <ul style="list-style-type: none"> <li>• Green: The parking control is active.</li> <li>• Gray: The parking control is not active.</li> </ul>
⑫	Parking space search area guidelines (Light blue)	Indicates that the system is currently searching for a parking space. Lines are also used as a guide for vehicle positioning during space searching.
⑬	Direction change position rectangle (Green)	Indicates the position at which to make the next shift change.

## If Vehicle Speed Reaches 10 km/h (6 MPH) or Higher





- If the vehicle speed reaches approximately 10 km/h (6 MPH) or higher during parking position detection, the screen changes.
- When the speed drops to approximately 10 km/h (6 MPH) or lower, the screen returns to the normal ProPILOT Park screen.

## Warning Display and Guidance

System condition		Warning/Diaplay	Guidance	Buzzer
OFF		—	—	—
ON	At system startup	System starting Up	—	—
	Camera display in progress	Ensure it is safe before manoeuvring	—	—
	Vehicle stopped determination (no space detected)	Ensure it is safe before manoeuvring / △▽ Press to set target parking position	—	—
	Vehicle stopped determination (space detected)	Ensure it is safe before manoeuvring / Press "Start" to start park assist	—	—
	Vehicle movement determination in progress (no space detected) (Parallel)	Ensure it is safe before manoeuvring / Stop next to empty parking	—	—
	Vehicle movement determination in progress (no space detected) (Column)	Ensure it is safe before manoeuvring / Drive vehicle to search for a space	—	—
	Vehicle movement determination in progress (space detected) (Parallel)	Ensure it is safe before manoeuvring / △▽ Press to set target parking position	—	—
	Vehicle movement determination in progress (space detected) (Column)	Ensure it is safe before manoeuvring / Space found. Stop the vehicle	—	—
	When parking guide box setting	Ensure it is safe before manoeuvring / Press "Start" to start park assist	—	—
	At the time of parking assist start	Ensure it is safe before manoeuvring / [AutoP]Press and hold auto park button to start manoeuvre	—	—
	When moving forward	Ensure it is safe before manoeuvring / Driving forward	—	—
At the start of backward movement (at steering cut back)	Ensure it is safe before manoeuvring / Changing direction	—	—	

System condition	Warning/Diisplay	Guidance	Buzzer
When moving backward	Ensure it is safe before manoeuvring / Reversing	—	—
When the fine adjustment screen of the parking guide box is displayed	Adjust parking position / Press "Start" while applying brakes to start parking manoeuvre	—	—
At the end of parking assist	Ensure it is safe before manoeuvring / Park Assist finished	—	—
Parking assist cancellation/interrupted	Ensure it is safe before manoeuvring / Park Assist cancelled	—	Po-Pon
When it can not be used	Ensure it is safe before manoeuvring / Park Assist Unavailable	—	—
When detecting an object	Ensure it is safe before manoeuvring / Obstacle detected. Bringing vehicle to a Standstill	—	—
When the parking brake is activated	Ensure it is safe before manoeuvring / Unavailable. Parking brake engaged	—	—
When the seat belt is released	Ensure it is safe before manoeuvring / Unavailable. Seat belt not fastened	—	—
When storing door mirrors	Ensure it is safe before manoeuvring / Unavailable. Mirrors in folded position	—	—
When space necessary for parking can not be detected	Ensure it is safe before manoeuvring / Unavailable. Insufficient space	—	—

## System Display

<p>Look Forward</p>  <p>①</p>	<p>⚠ Warning</p>  <p>Look Forward</p> <p>②</p>
--	---

SIEMD-7255964-03-000399782



No.	Name	Description
①	Driver monitor warning display (Head Up Display)	Displays when judging that driver does not pay attention to situation ahead.
②	Driver monitor warning display (Vehicle information display)	Displays when judging that driver does not pay attention to situation ahead.



**NOTE:**

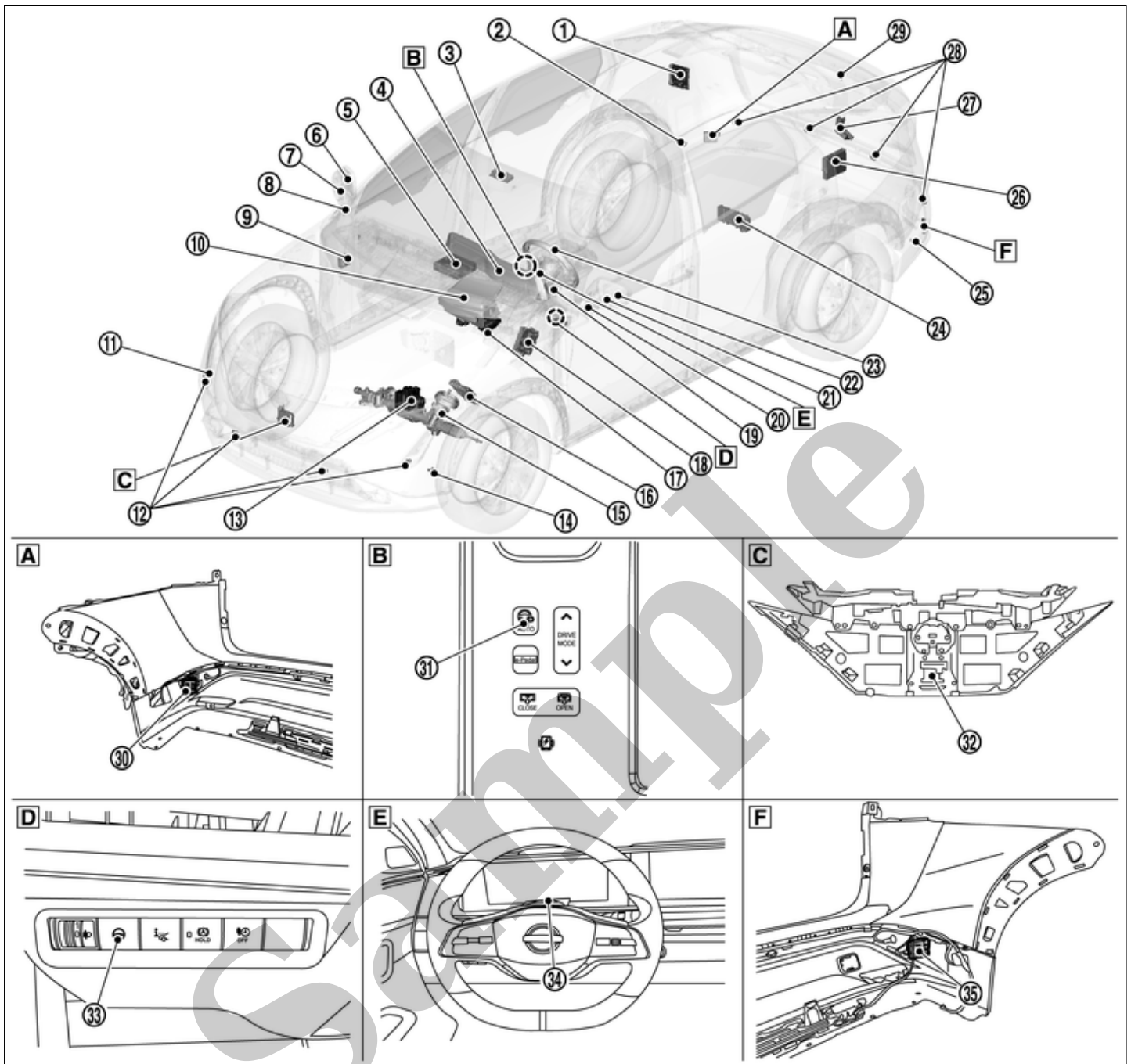
The driver monitor is active in all driving modes, not just when ProPILOT Assist 2.0 is active.

## Display and warning

Condition	Vehicle information display	Head Up Display	Buzzer
When the system judges that the driver dozes or looks aside by closing eyes or turning face away from the front for a certain period of time while driving.	<p>⚠ Warning</p>  <p>Look Forward</p> <p>SIEMD-7255964-01-000399709</p>	<p>Look Forward</p>  <p>SIEMD-7255964-MD-7255964-01-000399783OffOff-9CBDB23E-000399783</p>	ON
Driver monitor system is malfunction	Driver Monitor Camera Malfunction	—	—

# Component Parts Location

SIEMD-7109651



SIEMD-7109651-01-000430597

<b>A</b>	Rear bumper (RH)	<b>B</b>	Center console finisher	<b>C</b>	Front grill (view with front grill removed)
<b>D</b>	Instrument lower panel LH	<b>E</b>	Steering wheel	<b>F</b>	Rear bumper (LH)

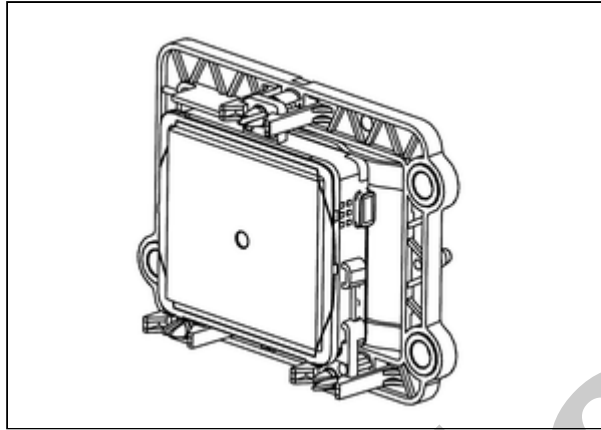
	ADAS control unit 2				
①	Refer to <a href="#">Component Parts Location</a> (Without ProPILOT Assist 2.0) or <a href="#">Component Parts Location</a> (With ProPILOT Assist 2.0) for detailed installation location.	②	Side radar rear RH	③	Front camera unit
④	Combination meter Refer to <a href="#">Component Parts Location</a> for detailed installation location.	⑤	AV control unit Refer to <a href="#">Component Parts Location</a> for detailed installation location.	⑥	BSW indicator RH
⑦	Side camera RH Refer to <a href="#">Component Parts Location</a> for detailed installation location.	⑧	Door mirror folding motor RH Refer to <a href="#">Component Parts Location</a> for detailed installation location.	⑨	Chassis control module Refer to <a href="#">Component Parts Location</a> for detailed installation location.

⑩	Head Up Display unit Refer to <a href="#">Component Parts Location</a> for detailed installation location.	⑪	Side sensor front RH	⑫	Refer to <a href="#">Component Parts Location</a> for detailed installation location.
⑬	ABS actuator and electric unit (control unit) Refer to <a href="#">Component Parts Location</a> for detailed installation location.	⑭	Side sensor front RH	⑮	Power steering control module Refer to <a href="#">Component Parts Location</a> for detailed installation location.
⑯	VCM Refer to <a href="#">Component Parts Location</a> for detailed installation location.	⑰	TCU Refer to <a href="#">Component Parts Location</a> for detailed installation location.	⑱	Driver monitor camera control unit
⑲	Steering angle sensor Refer to <a href="#">Component Parts Location</a> for detailed installation location.	⑳	Door mirror folding motor LH Refer to <a href="#">Component Parts Location</a> for detailed installation location.	㉑	Side camera LH Refer to <a href="#">Component Parts Location</a> for detailed installation location.
㉒	BSW indicator LH	㉓	Steering vibration motor	㉔	Power network separate relay Refer to <a href="#">Component Parts Location</a> for detailed installation location.
㉕	Side radar rear RH	㉖	Around view monitor control unit Refer to <a href="#">Component Parts Location</a> for detailed installation location.	㉗	Sonar control unit Refer to <a href="#">Component Parts Location</a> for detailed installation location.
㉘	Sonar sensor (Rear) Refer to <a href="#">Component Parts Location</a> for detailed installation location.	㉙	Rear camera Refer to <a href="#">Component Parts Location</a> for detailed installation location.	㉚	Side radar rear RH
㉛	ProPILOT Park switch	㉜	Distance sensor	㉝	Steering assist switch
㉞	Driver monitor camera	㉟	Side radar rear LH		

## FUNCTIONS WITHIN THE SYSTEM

---

- Distance sensor transmits the presence/absence of vehicle ahead and the distance from the vehicle to ADAS control unit 2 via Ethernet communication.



SIEMD-7109569-01-000310497

## INDIVIDUAL FUNCTIONS WITHIN THE SYSTEM

---

- Distance sensor detects a vehicle ahead by using millimeter waves.
- Distance sensor detects radar reflected from a vehicle ahead by irradiating radar forward and calculates a distance from the vehicle ahead and relative speed, based on the detected signal.

## INDIVIDUAL OPERATION

---

- AEB: [System Description](#)
- ProPILOT Assist: [System Description](#)
- I-FCW: [System Description](#)
- ProPILOT Assist 2.0: [System Description](#).

## PARTS LOCATION

---

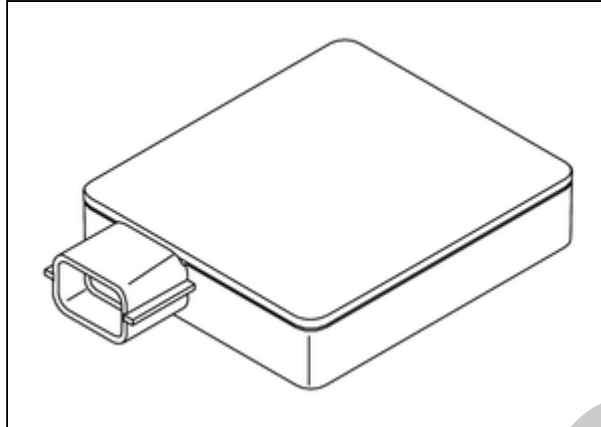
Refer to [Component Parts Location](#).



## FUNCTIONS WITHIN THE SYSTEM

---

- Connected with the ADAS control unit 2 via CAN communication, the side radar transmits a vehicle detection signal.



SIEMD-7330638-02-000366478

- Transmits an indicator operation signal to the BSW indicator LH/RH.
- Side radar detects vehicle in the detection zone, and controls following systems.
  - ProPILOT Assist 2.0
  - BSW
  - I-BSI
  - RCTA

## INDIVIDUAL FUNCTIONS WITHIN THE SYSTEM

---

The side radar detects other vehicles beside own vehicle in an adjacent lane.

## INDIVIDUAL OPERATION

---

- ProPILOT Assist 2.0: Refer to [System Description](#).
- BSW: Refer to [System Description](#).
- I-BSI: Refer to [System Description](#).
- RCTA: Refer to [System Description](#).

## PARTS LOCATION

---

Refer to [Component Parts Location](#).

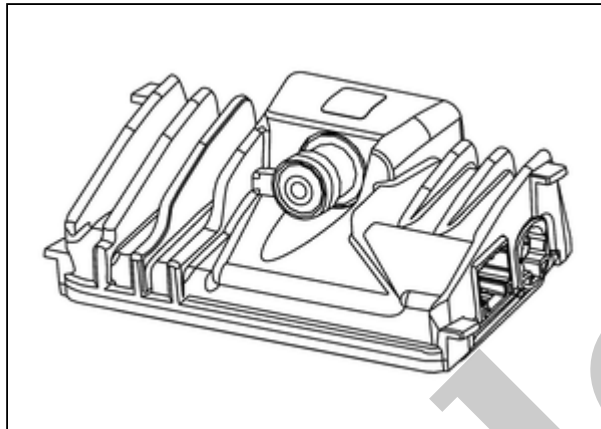
## WITHOUT ProPILOT ASSIST 2.0

---

### FUNCTIONS WITHIN THE SYSTEM

---

Front camera unit transmits the detected information to ADAS control unit 2 via CAN communication.



SIEMD-7109419-01-000310499

- Front camera unit detects vehicle in the detection zone, and controls following systems.
  - AEB
  - ProPILOT Assist
  - LDW
  - I-LI
  - I-BSI
  - TSR
  - RAB
- The heater output circuit is built in the front camera unit.
- The front camera unit heats the heat wire built in the windshield glass to prevent condensation or fogging.
- Condition of heater output
  - When front window defroster is used
  - When rear window defogger is used
  - When wiper is operated
  - When judging ambient temperature is low
  - When judging the front camera unit is shielded

### INDIVIDUAL FUNCTIONS WITHIN THE SYSTEM

---

- The multi-sensing front camera that can avoid various risks lurking forward and sideward with one camera is adopted.
- Front camera unit is installed to windshield, and detects the lane marker in travel lane and pedestrian ahead.
- When there is vehicle or pedestrian, front camera unit measures the distance from them.

### INDIVIDUAL OPERATION

---