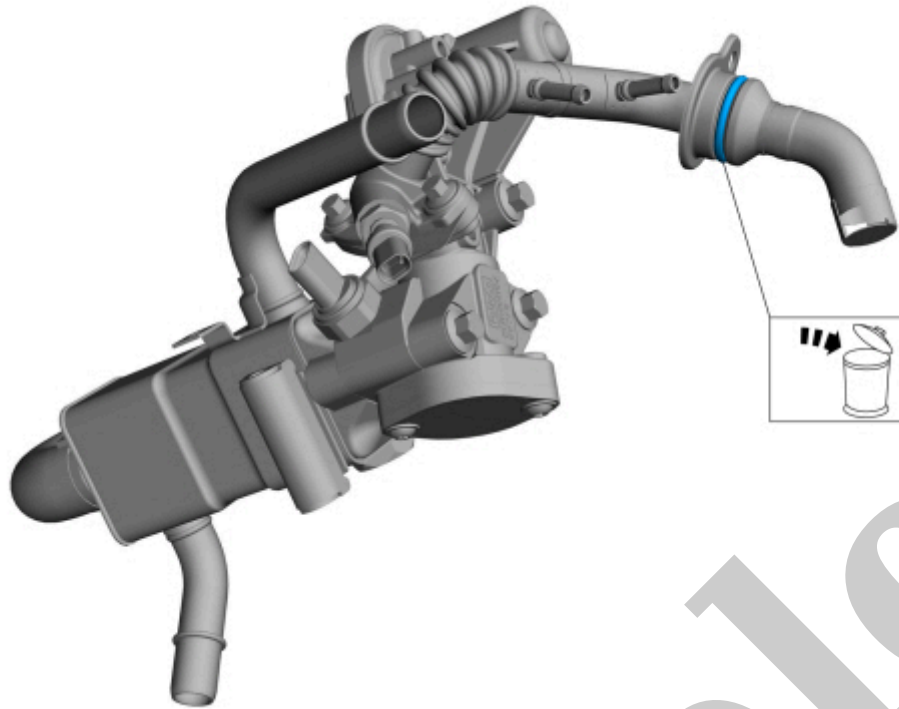


Your Ultimate Source for OEM Repair Manuals

FactoryManuals.net is a great resource for anyone who wants to save money on repairs by doing their own work. The manuals provide detailed instructions and diagrams that make it easy to understand how to fix a vehicle.

2021 Ford Bronco Sport Service and Repair Manual

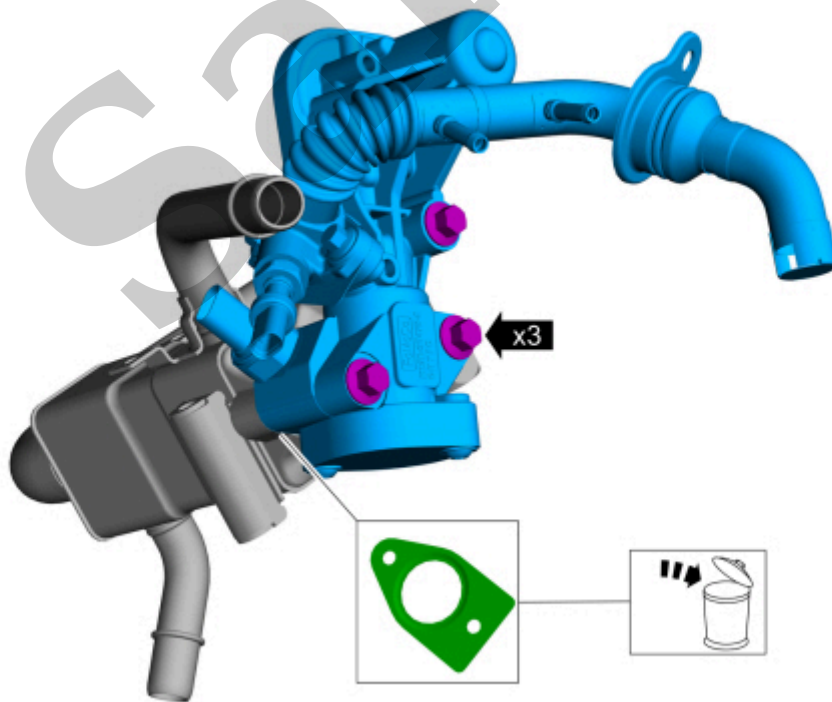
[Go to manual page](#)



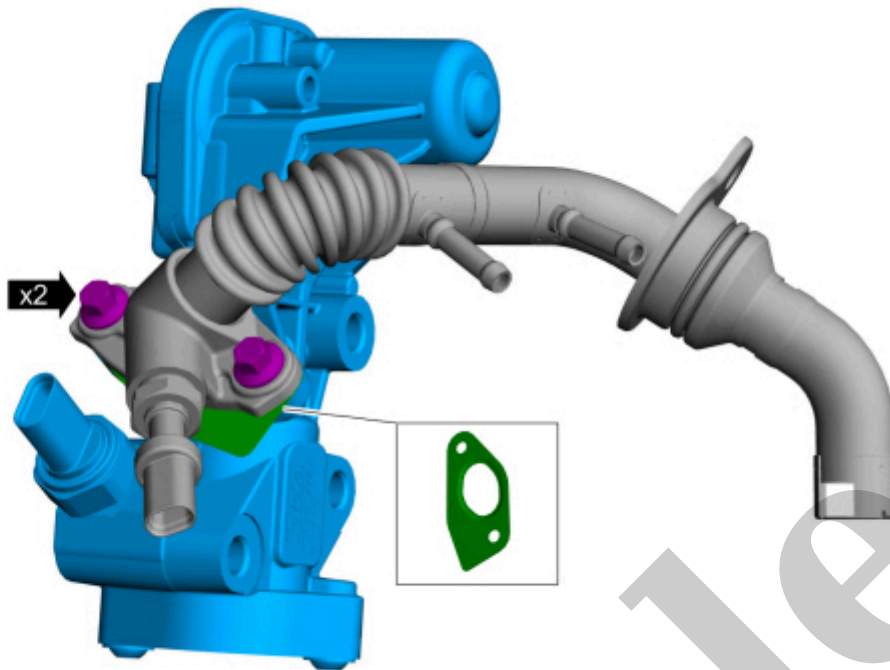
E332097

[Click here to learn about symbols, color coding, and icons used in this manual.](#)

13.
 - Remove the bolts and EGR (exhaust gas recirculation) valve assembly.
 - Remove and discard the EGR (exhaust gas recirculation) valve gasket.



E332107

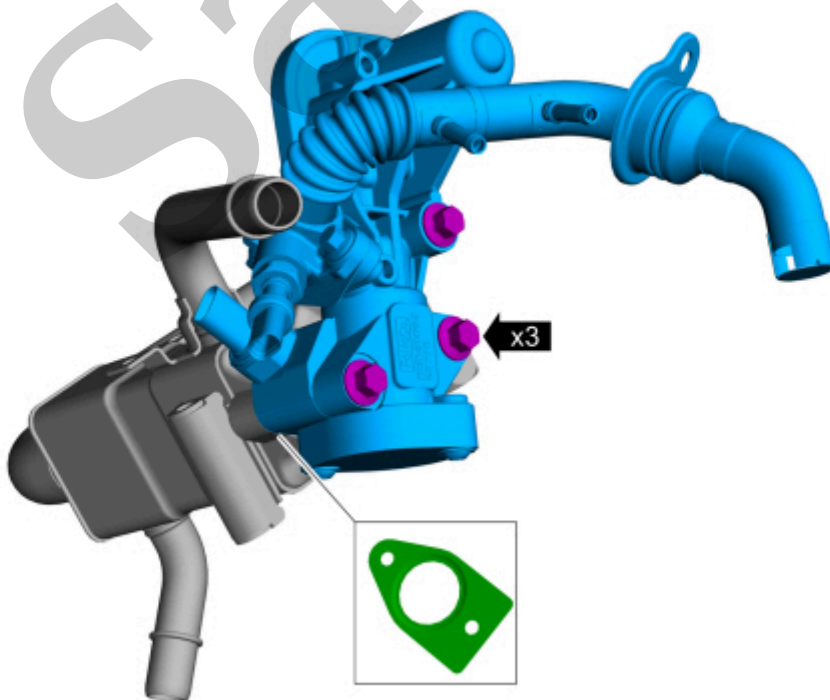


E332139

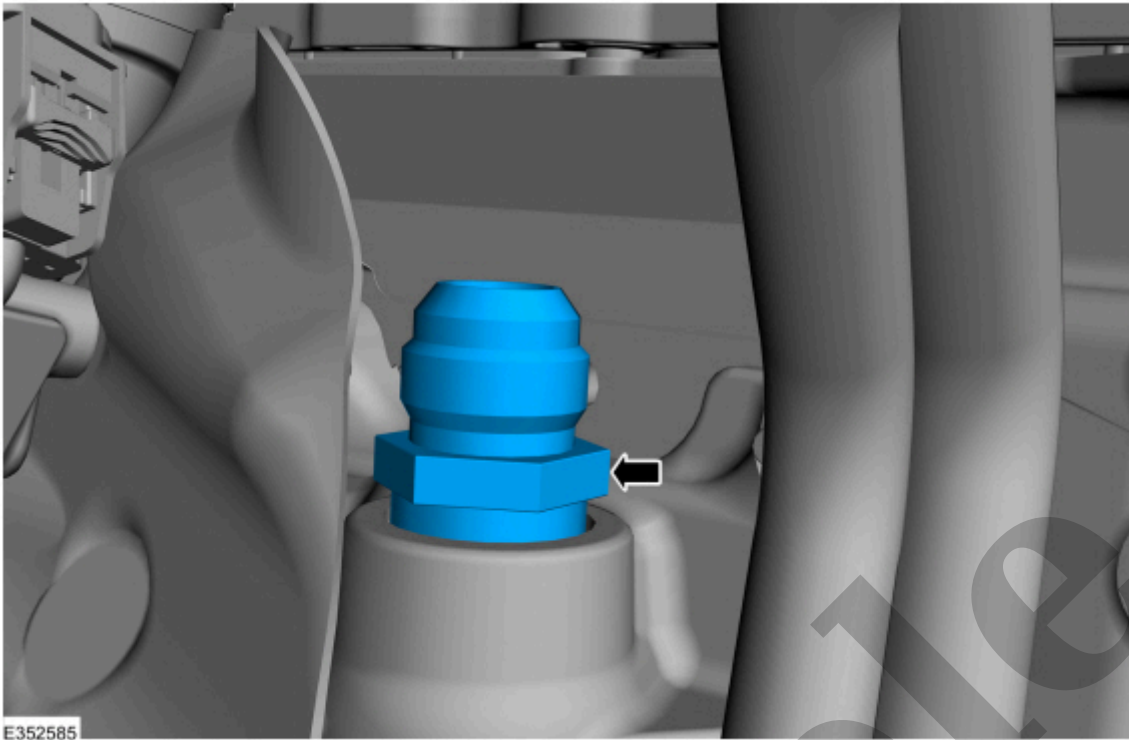
[Click here to learn about symbols, color coding, and icons used in this manual.](#)

2.
 - Install the EGR (exhaust gas recirculation) valve gasket.
 - Install the EGR (exhaust gas recirculation) valve assembly.

Torque : 22 lb.ft (30 Nm)

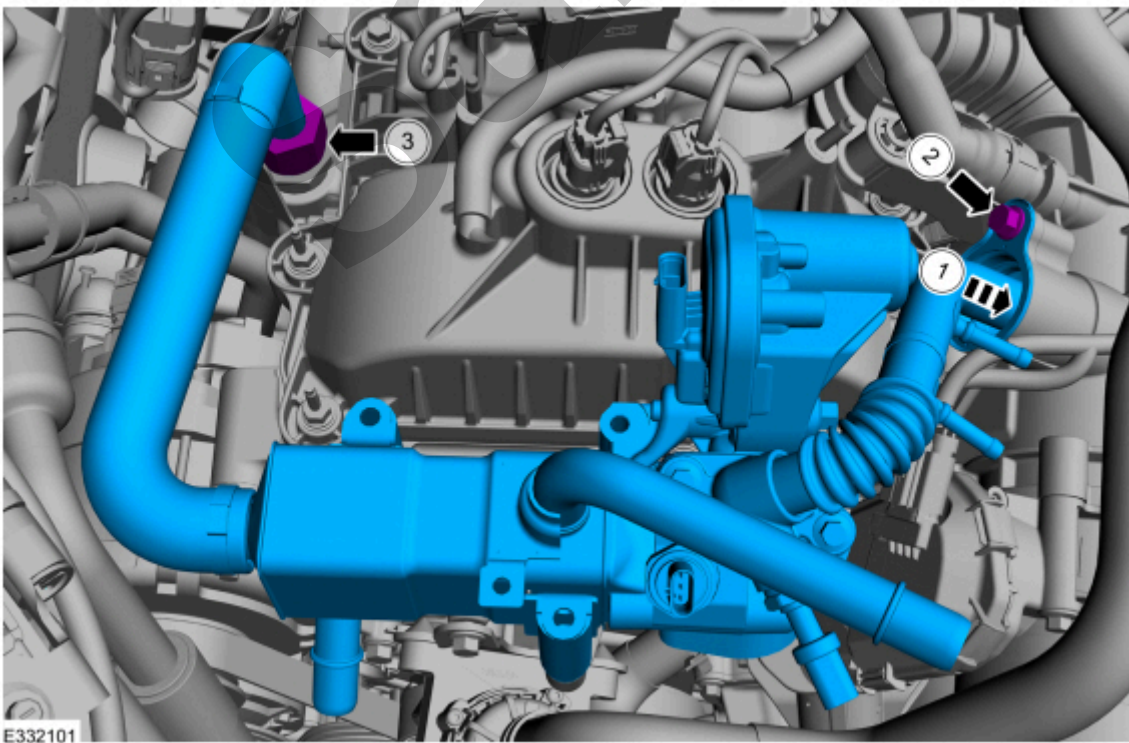


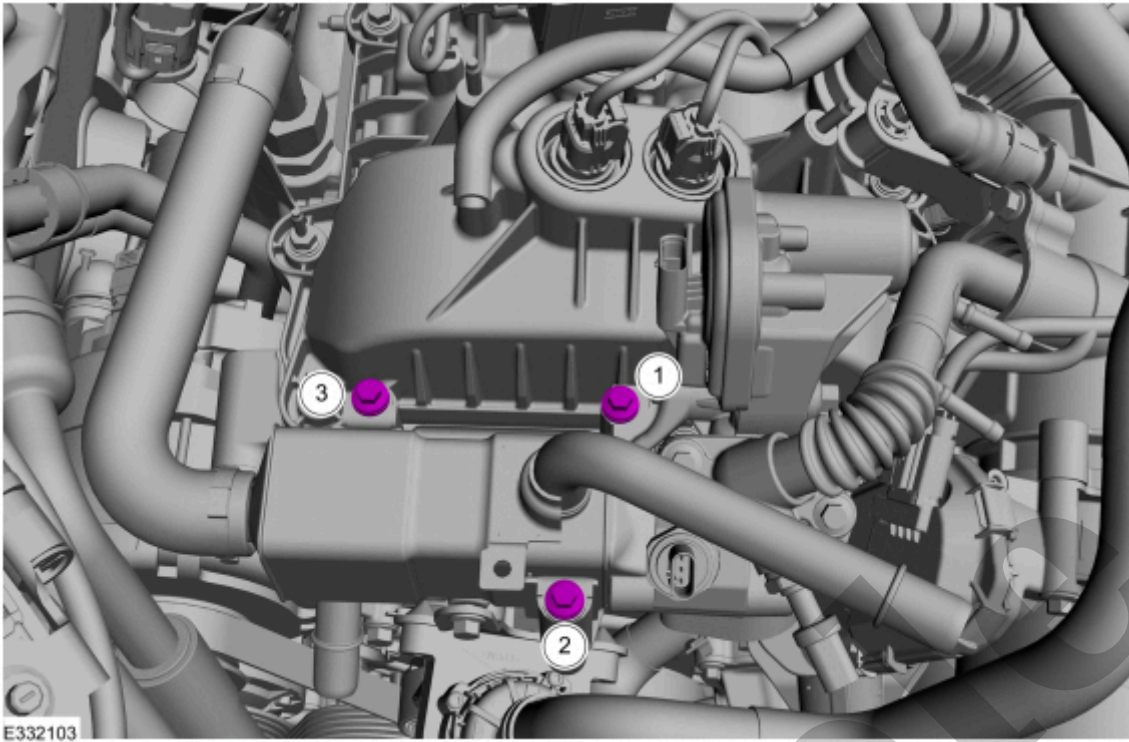
E332086



[Click here to learn about symbols, color coding, and icons used in this manual.](#)

5. 1. Install the EGR (exhaust gas recirculation) valve assembly.
2. Install the EGR (exhaust gas recirculation) valve outlet tube fastener and hand tighten at this stage.
3. Install the EGR (exhaust gas recirculation) valve inlet tube nut and hand tighten at this stage.





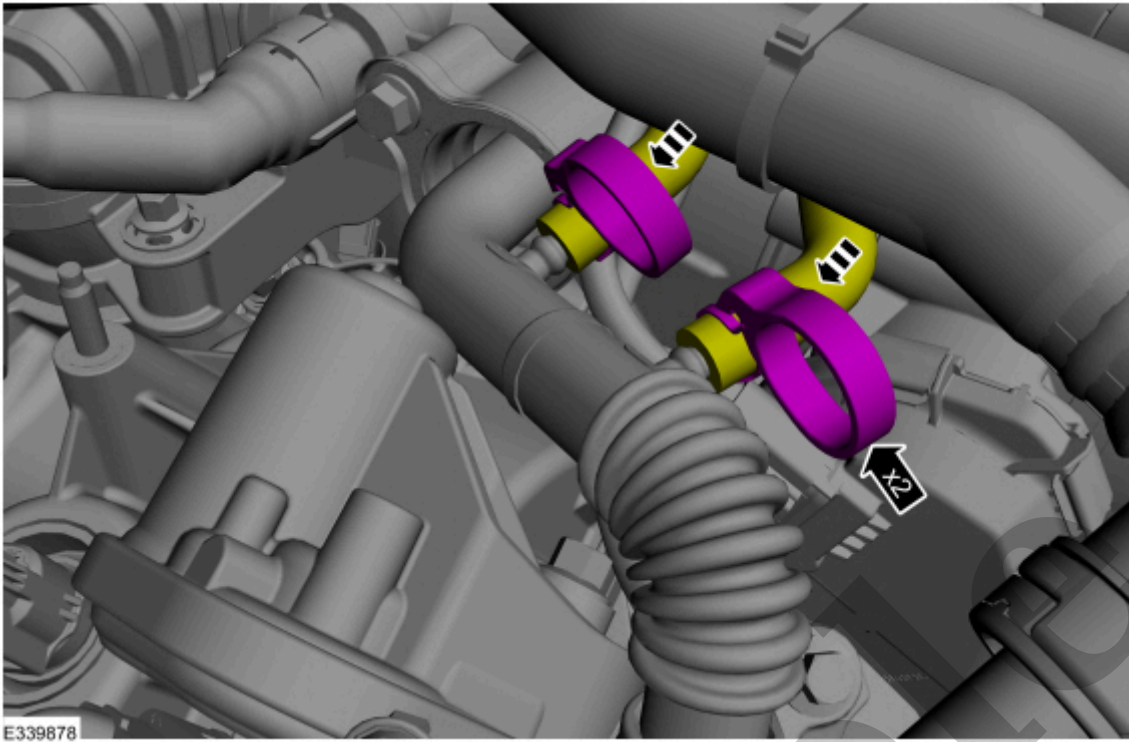
[Click here to learn about symbols, color coding, and icons used in this manual.](#)

8. 1. Tighten the EGR (exhaust gas recirculation) valve outlet tube fastener.

Torque : 89 lb.in (10 Nm)

2. Tighten the EGR (exhaust gas recirculation) valve inlet tube fastener.

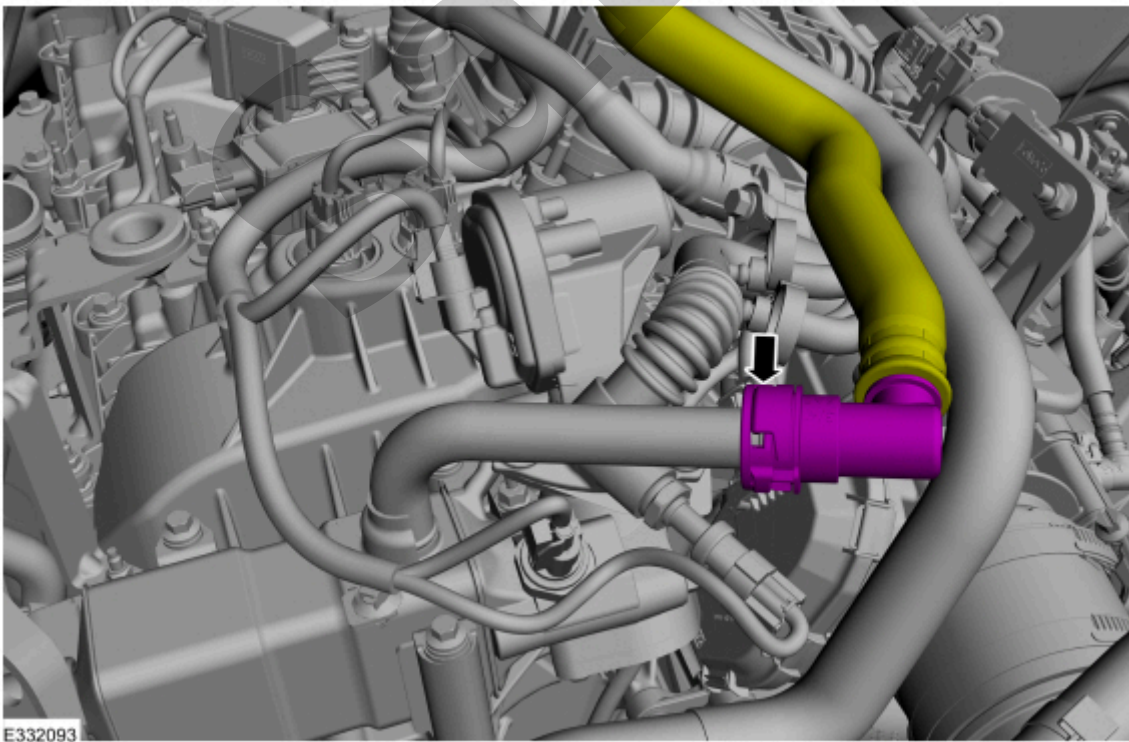
Torque : 111 lb.ft (150 Nm)

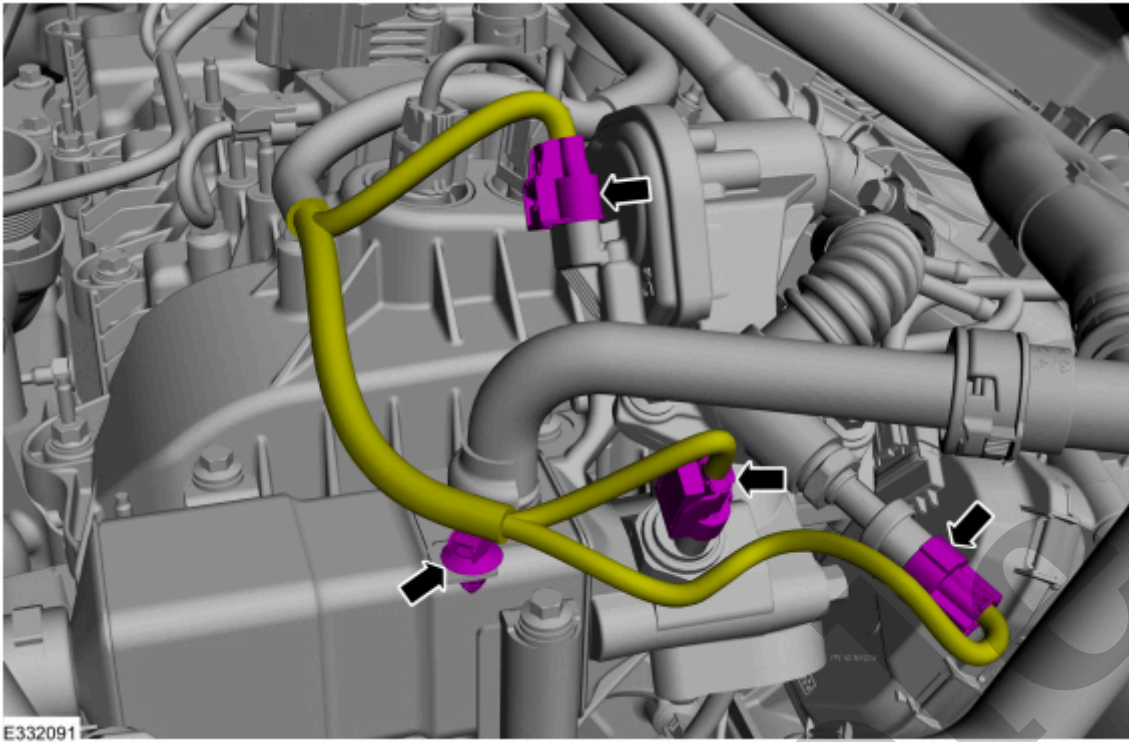


[Click here to learn about symbols, color coding, and icons used in this manual.](#)

11. Connect the upper coolant hose to the EGR (exhaust gas recirculation) cooler assembly.

Refer to: [Quick Release Coupling](#)(310-00D Fuel System - General Information - 3.5L V6 PowerBoost (CN), General Procedures).





[Click here to learn about symbols, color coding, and icons used in this manual.](#)

14. Install the CAC (charge air cooler) tube bracket and retainers.

Torque :

1: 71 lb.in (8 Nm)

2: 53 lb.in (6 Nm)



E332085

[Click here to learn about symbols, color coding, and icons used in this manual.](#)

Copyright © Ford Motor Company

Sample

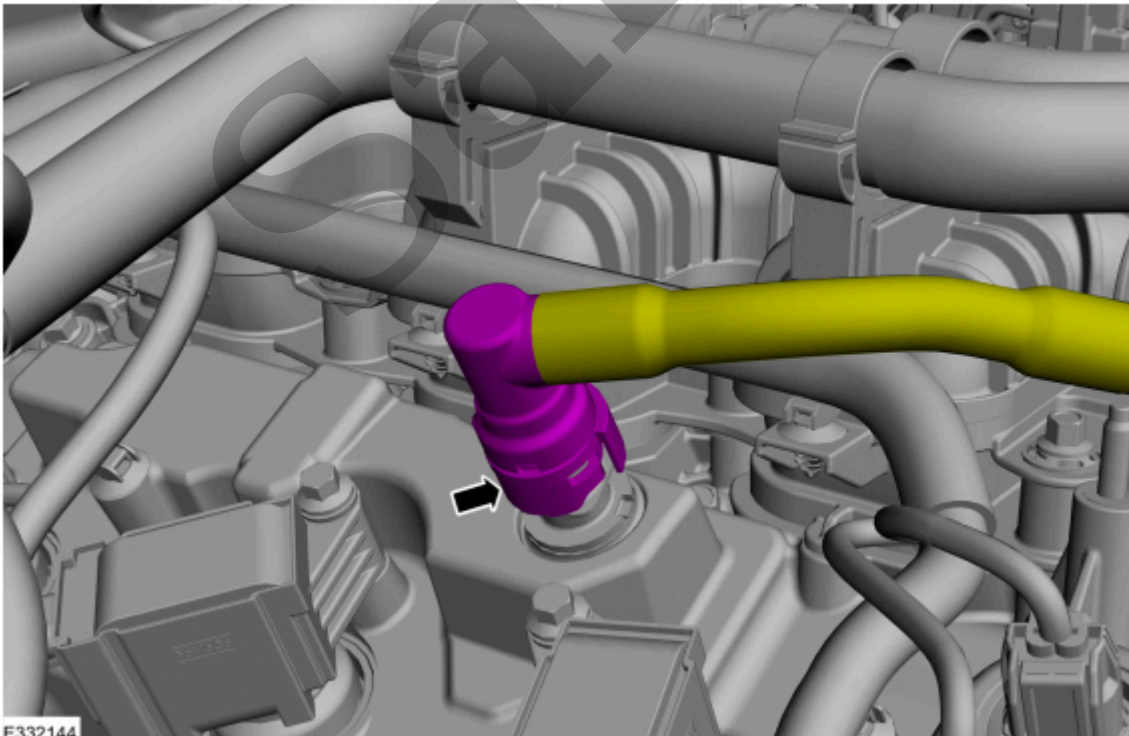


E332085

[Click here to learn about symbols, color coding, and icons used in this manual.](#)

2. Disconnect the PCV (positive crankcase ventilation) valve quick release coupling.

Refer to: [Quick Release Coupling](#)(310-00D Fuel System - General Information - 3.5L V6 PowerBoost (CN), General Procedures).



E332144



E180567

[Click here to learn about symbols, color coding, and icons used in this manual.](#)

2. To install, reverse the removal procedure.

Copyright © Ford Motor Company

Sample