

Your Ultimate Source for OEM Repair Manuals

FactoryManuals.net is a great resource for anyone who wants to save money on repairs by doing their own work. The manuals provide detailed instructions and diagrams that make it easy to understand how to fix a vehicle.

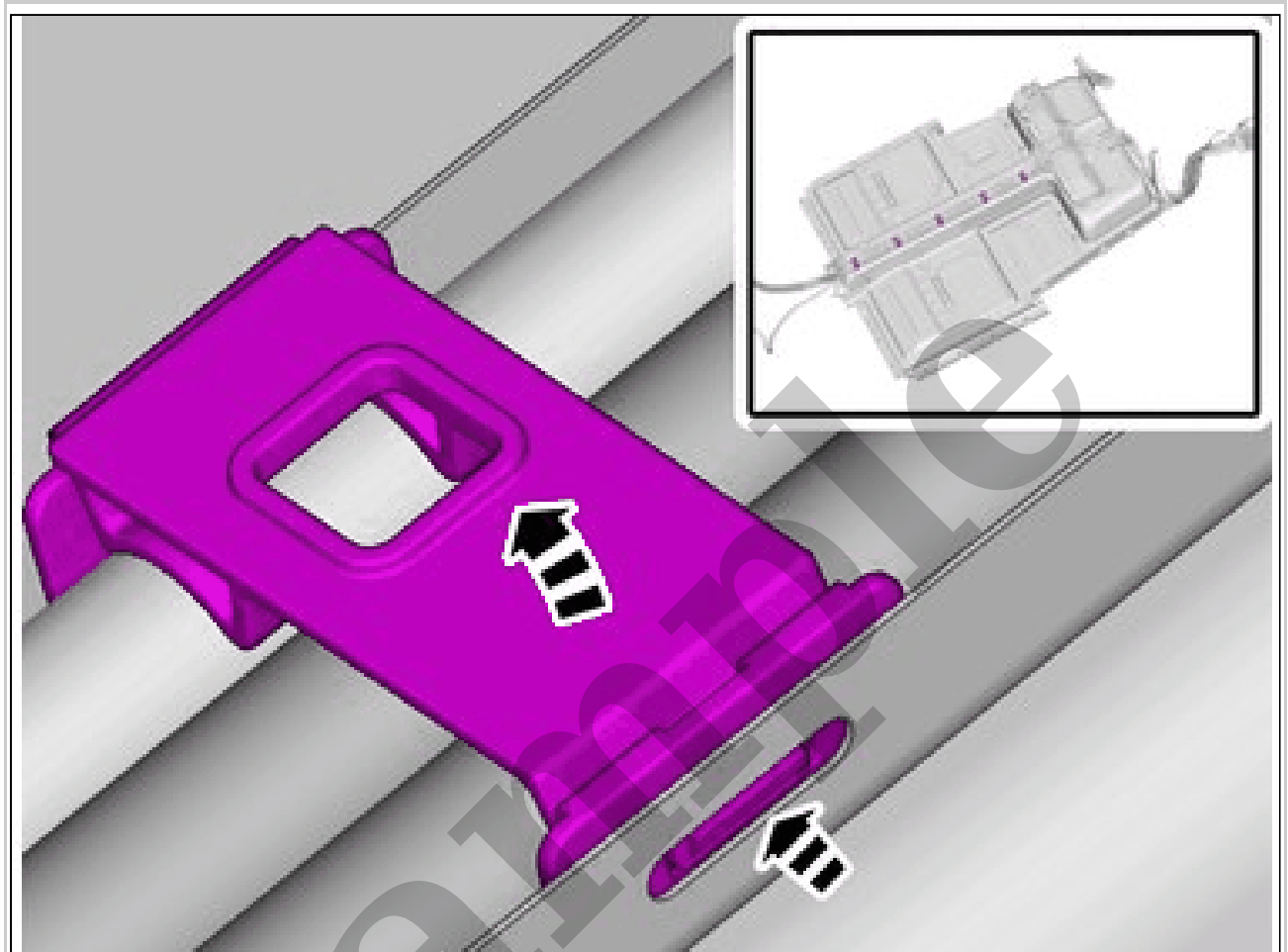
Volvo XC60 2020 Manual - Workshop Service and Repair Guide

[Go to manual page](#)

CHARGE CONNECTOR > CHARGE CONNECTOR [2021-2022, E400V6] > REMOVAL AND INSTALLATION

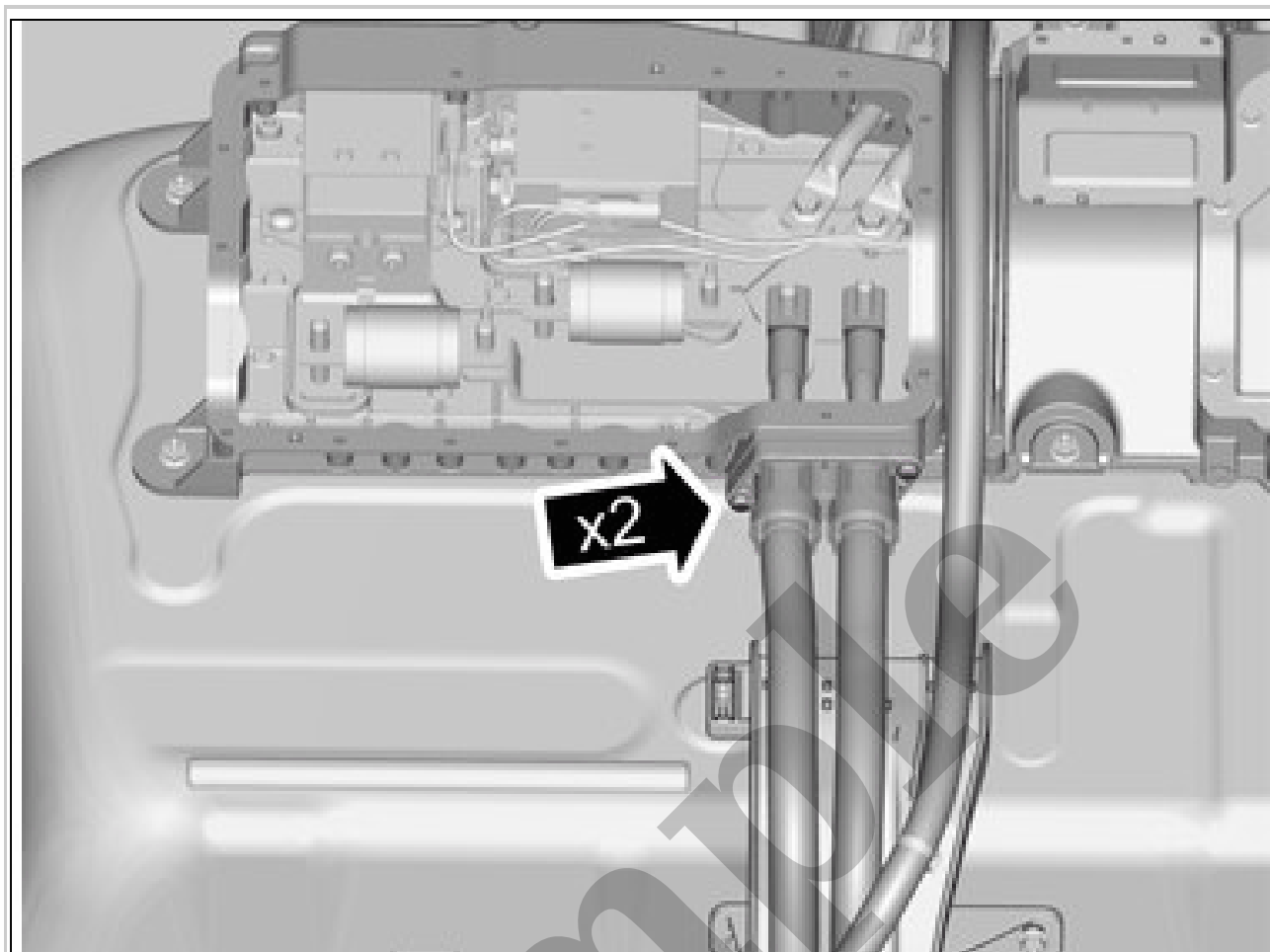
REMOVAL

Remove the high voltage battery. Refer to: HIGH VOLTAGE BATTERY



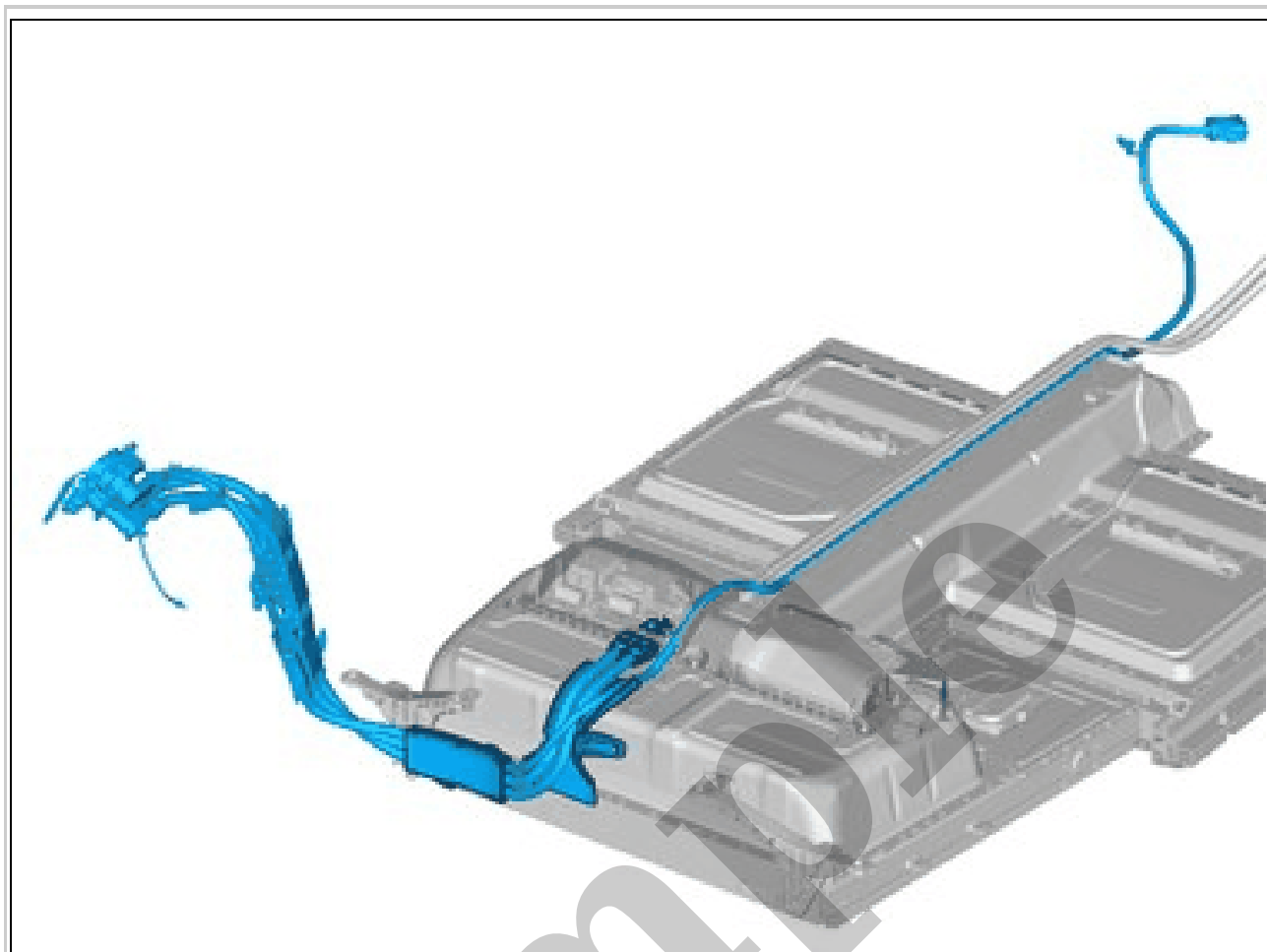
Courtesy of VOLVO CARS CORPORATION

Loosen the clips.



Courtesy of VOLVO CARS CORPORATION

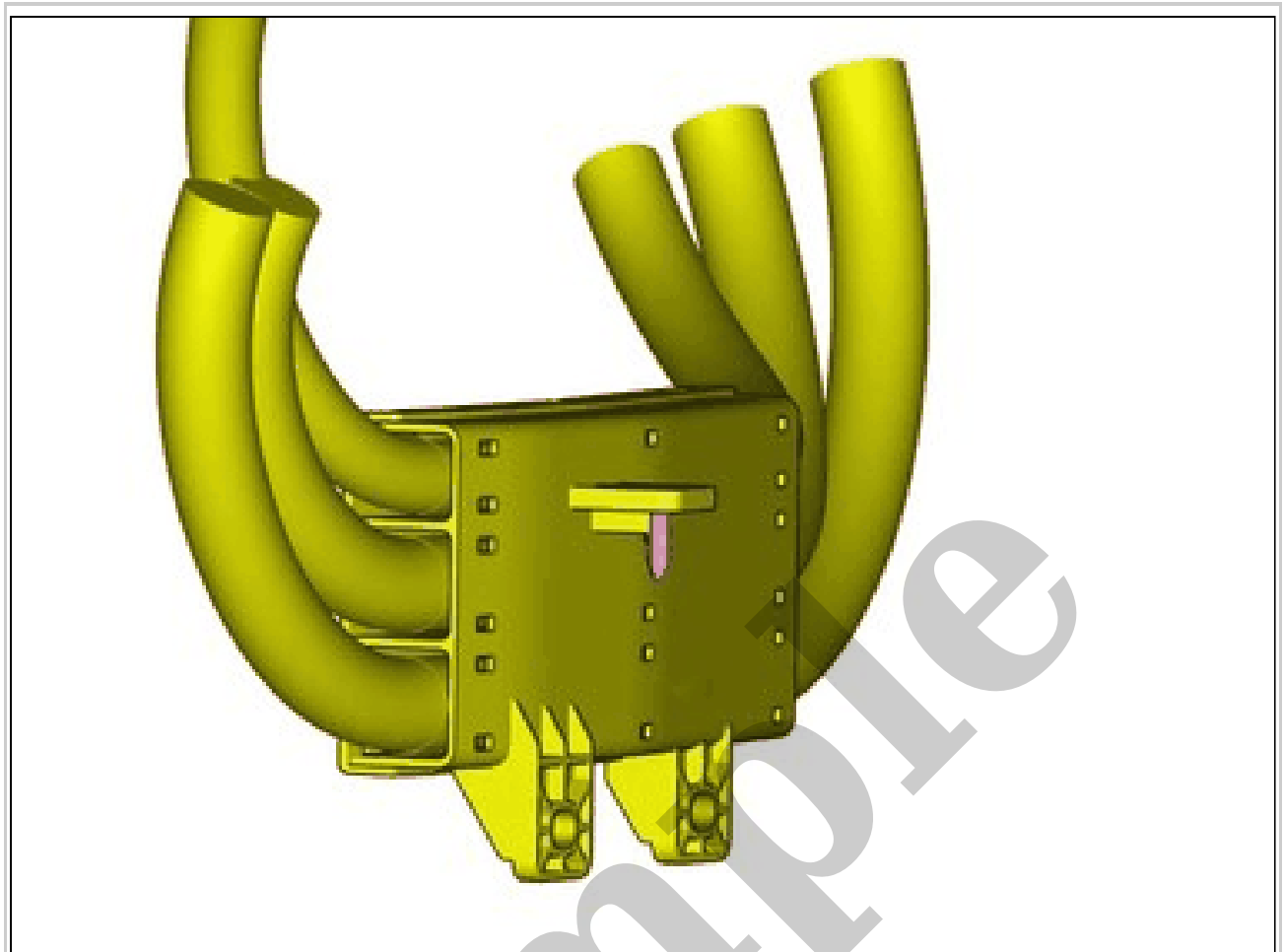
Remove the screws.



Courtesy of VOLVO CARS CORPORATION

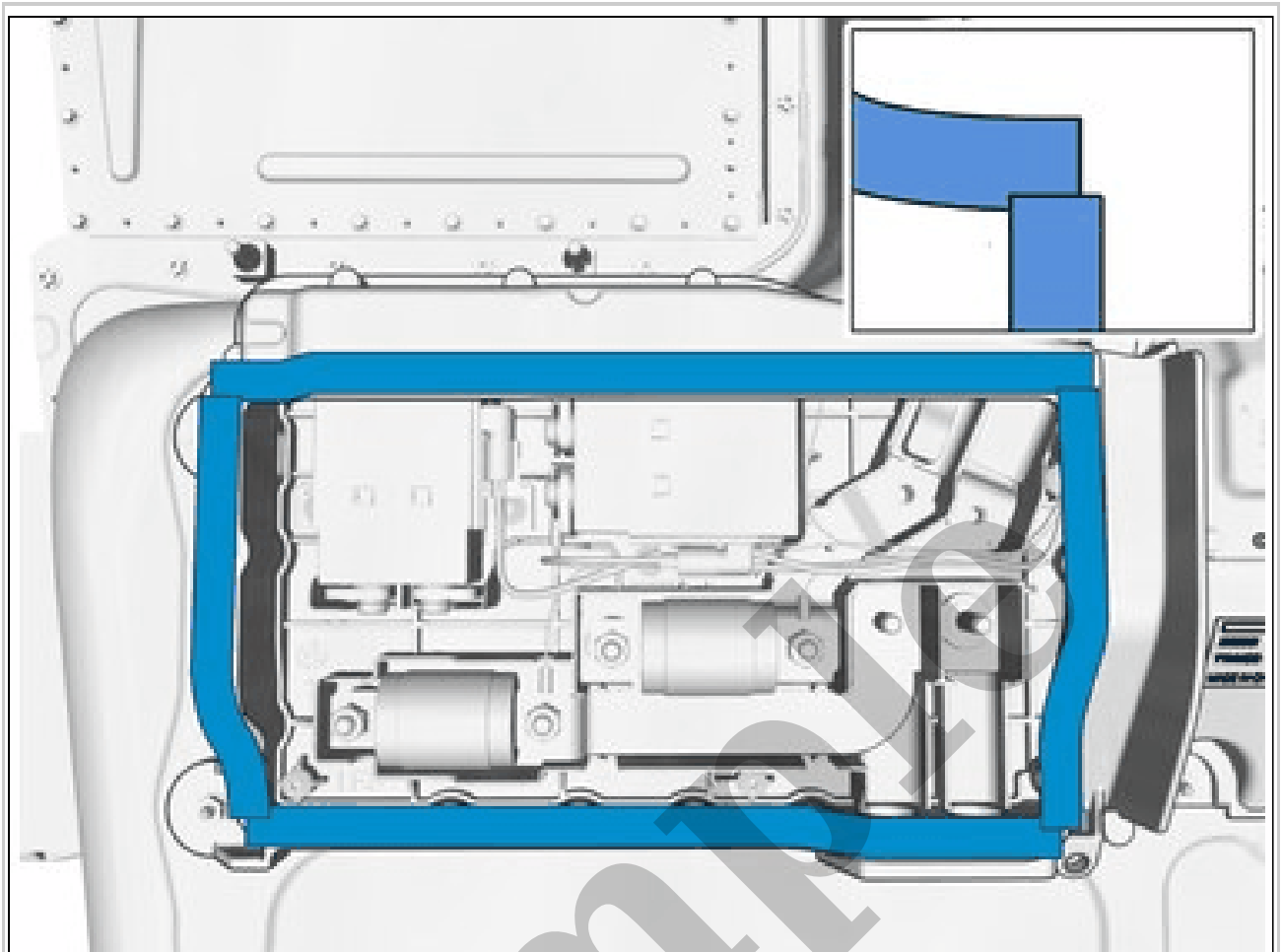
Remove the marked part.

INSTALLATION



Courtesy of VOLVO CARS CORPORATION

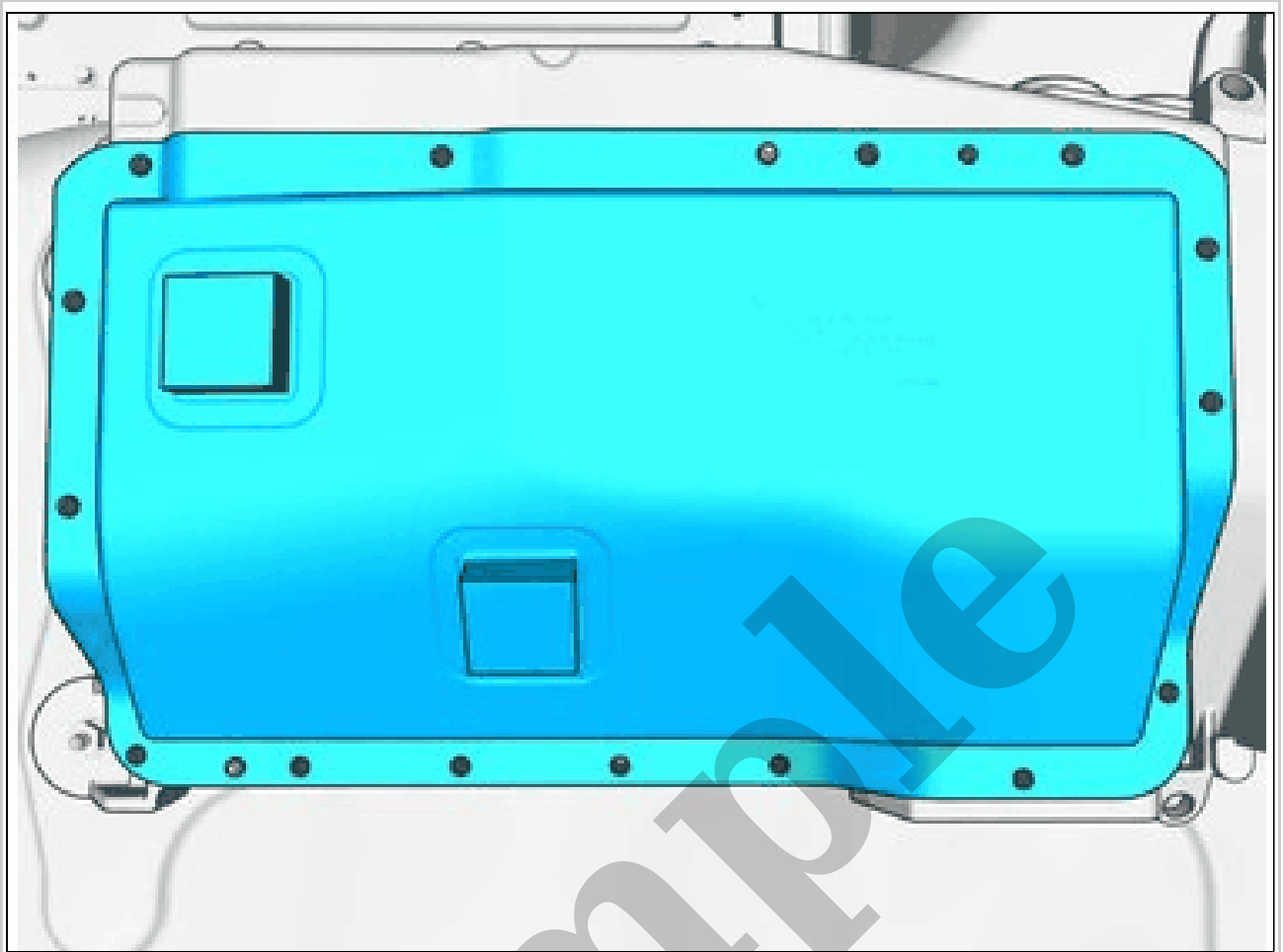
The graphic shows the back of the component.



Courtesy of VOLVO CARS CORPORATION

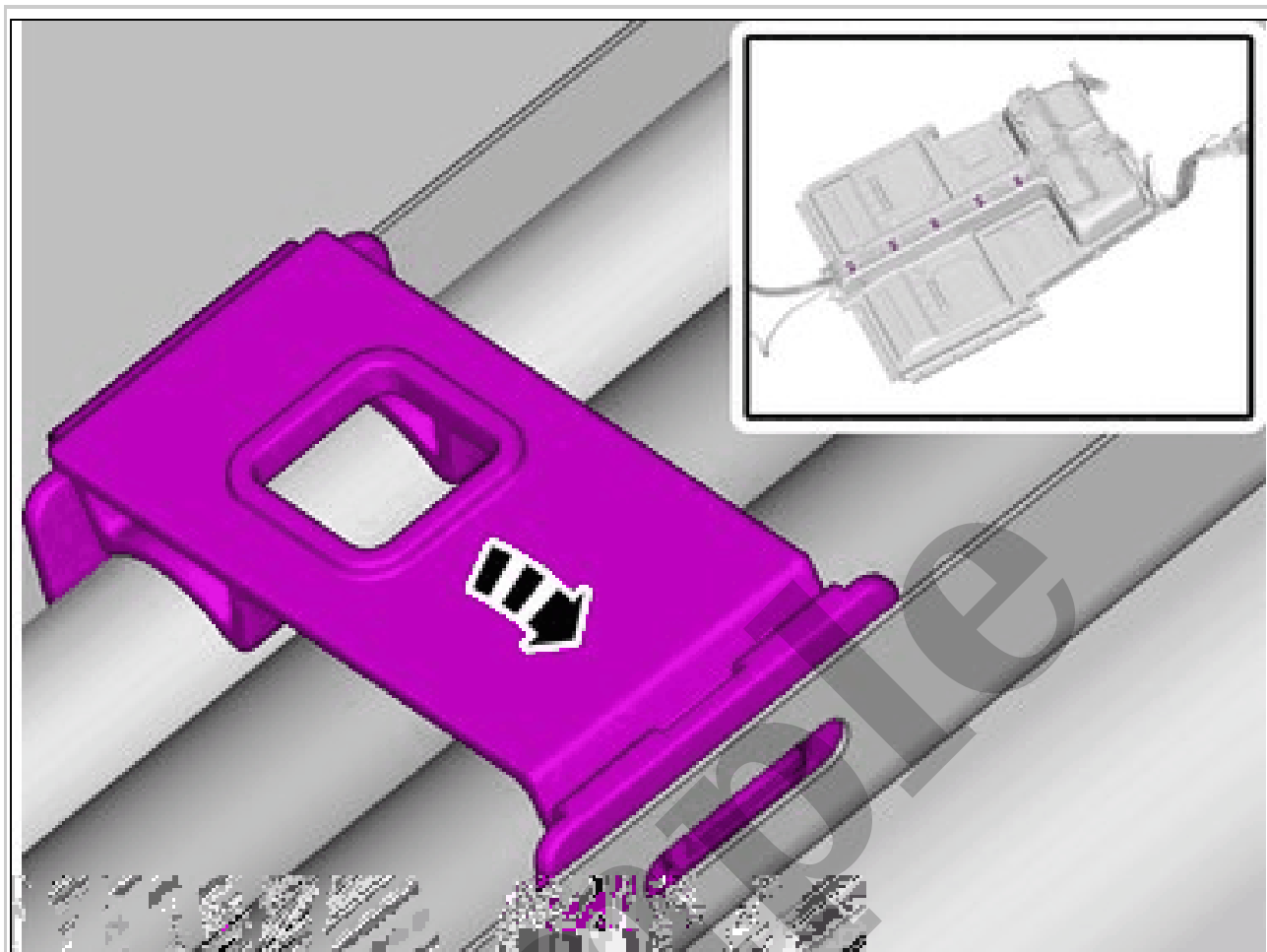
NOTE: Do not remove the protective film.

New sealing.
Note the position.
Use: Butyl tape,



Courtesy of VOLVO CARS CORPORATION

Remove the marked part.

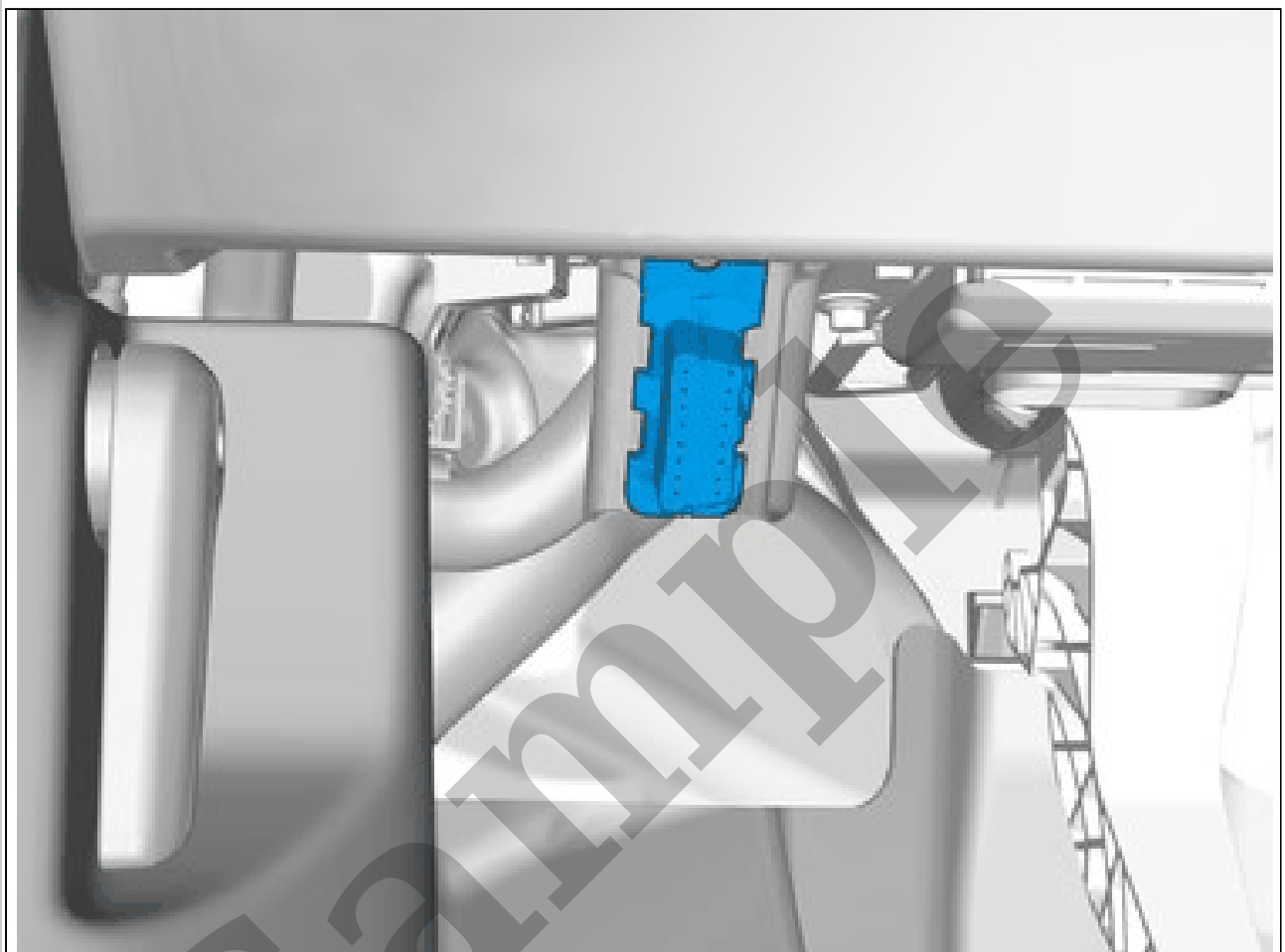


Courtesy of VOLVO CARS CORPORATION

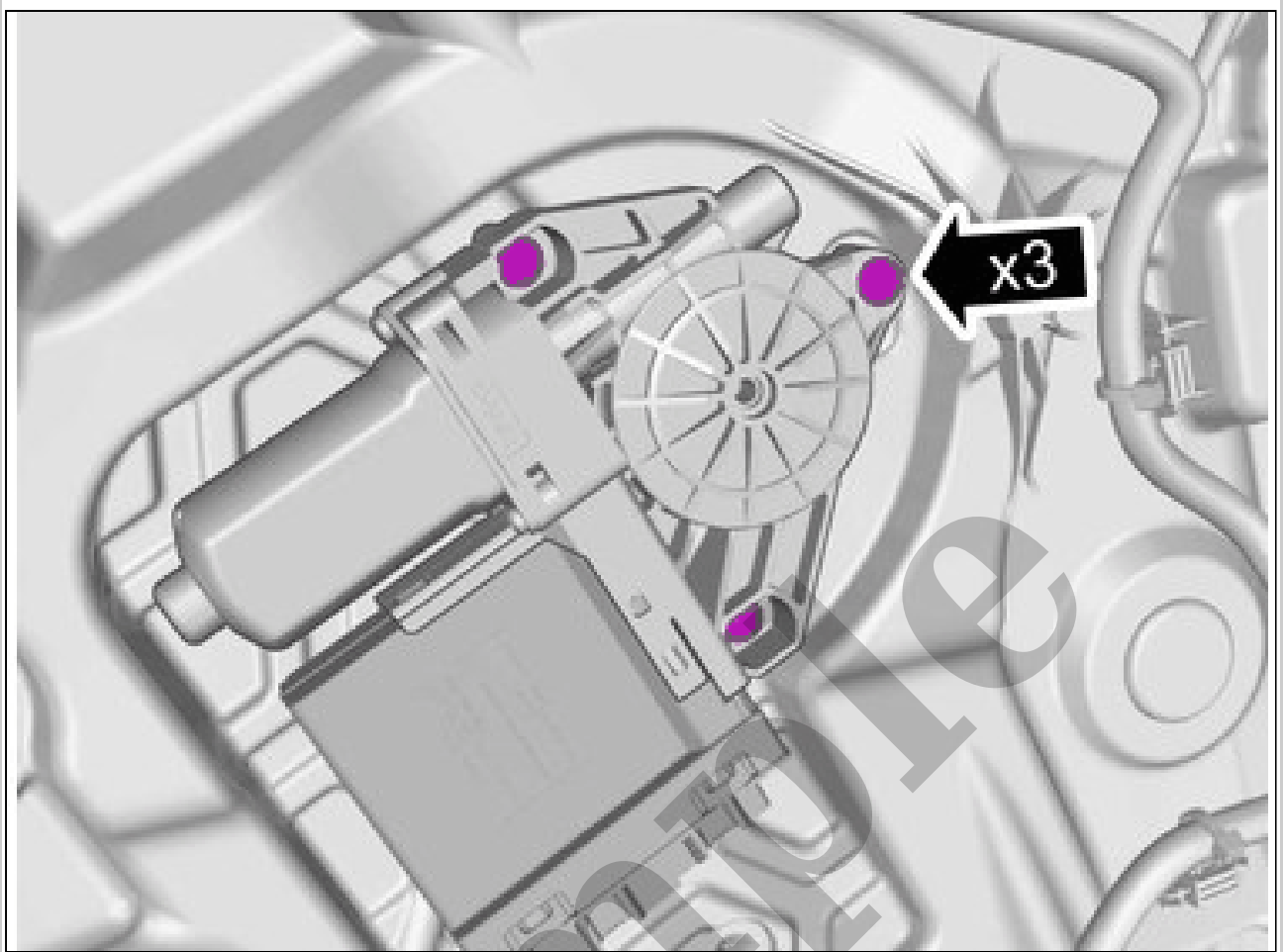
Press the clip(s) into position.

DIAGNOSTIC SOCKET OBD 2 > DIAGNOSTIC SOCKET OBD 2 [2018-2022] > REMOVAL

Set the vehicle to Inactive mode, described in user mode. Refer to: USAGE MODE



Courtesy of VOLVO CARS CORPORATION



Courtesy of VOLVO CARS CORPORATION

Remove the screws.