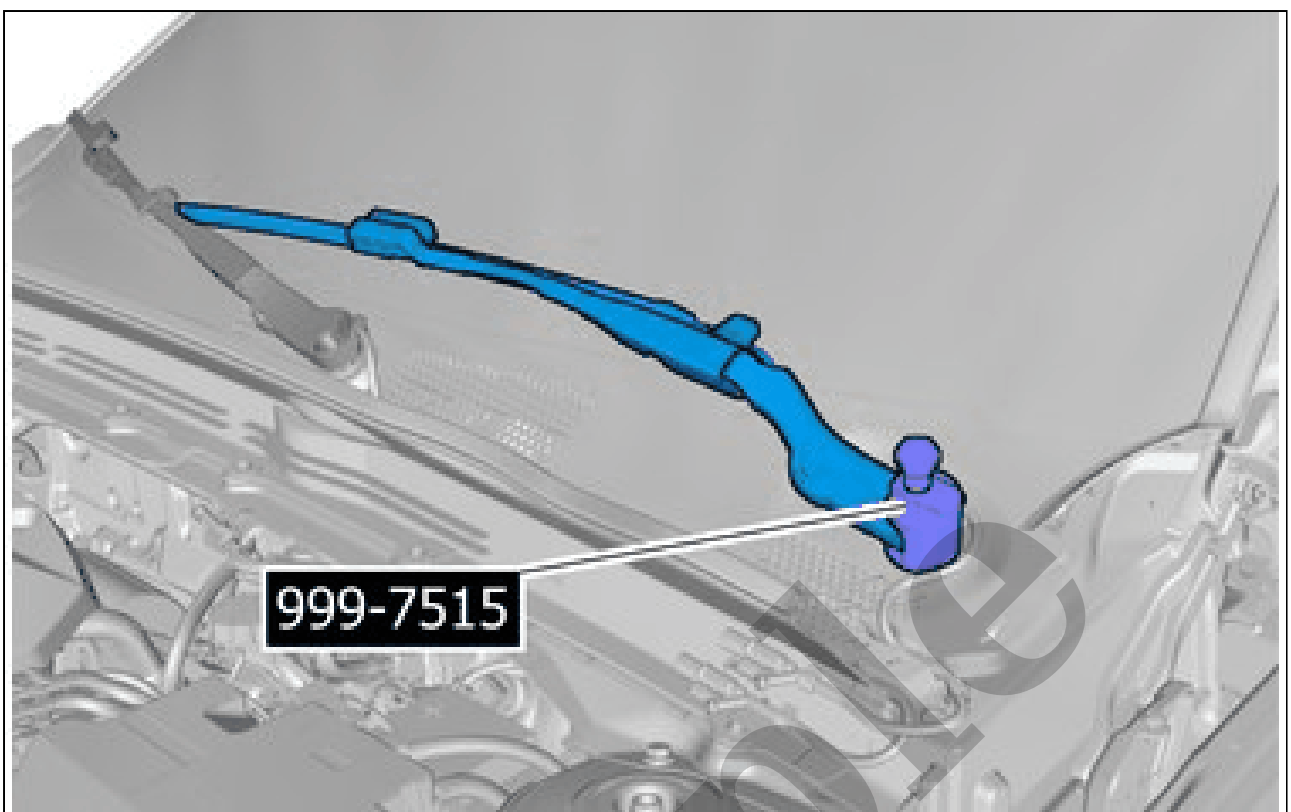


# Your Ultimate Source for OEM Repair Manuals

FactoryManuals.net is a great resource for anyone who wants to save money on repairs by doing their own work. The manuals provide detailed instructions and diagrams that make it easy to understand how to fix a vehicle.

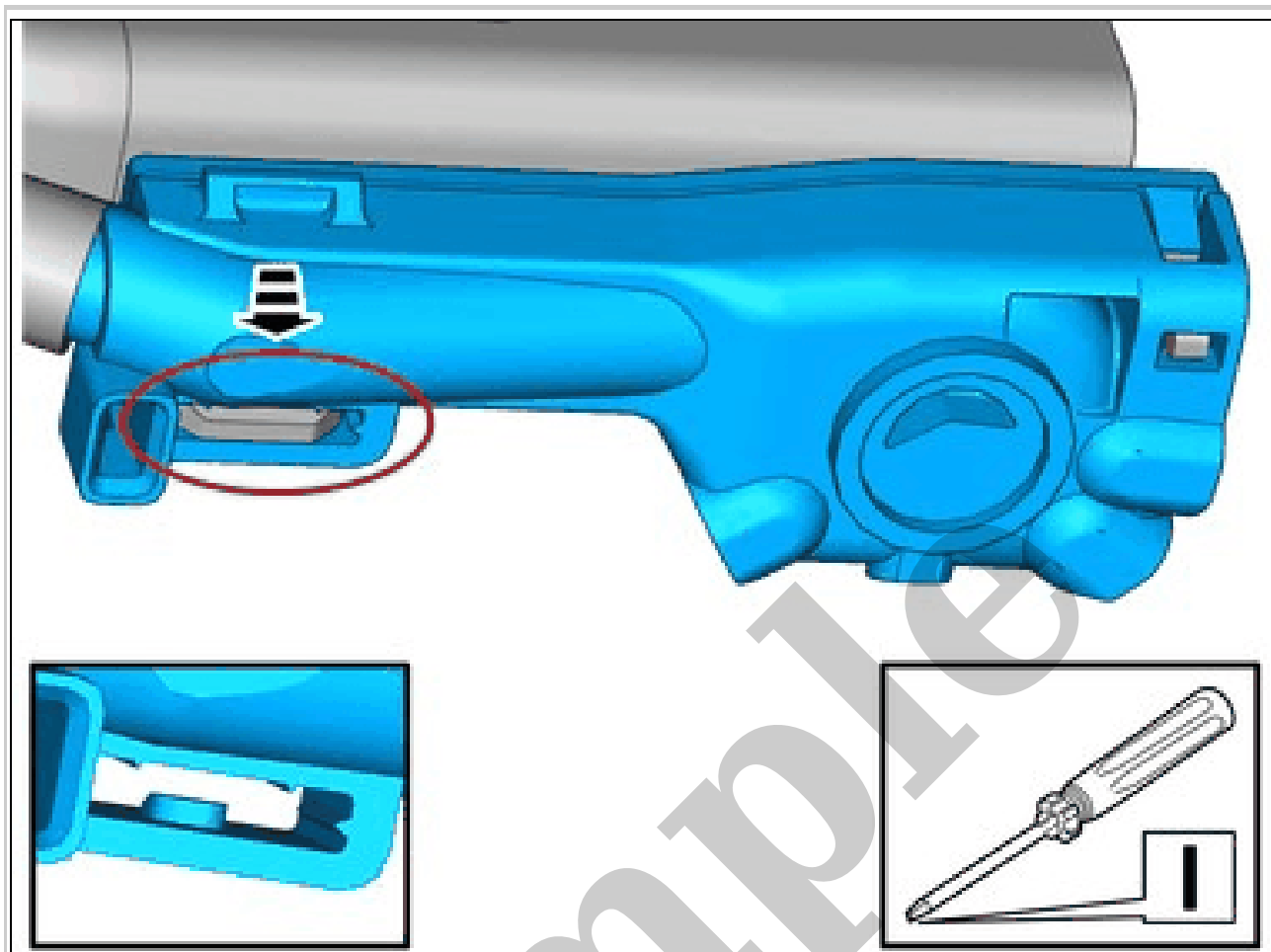
## Volvo XC40 2020 Manual - Service & Repair Guide

[Go to manual page](#)



Courtesy of VOLVO CARS CORPORATION

Special Tool: 999 7515 Puller  
Remove the marked part.  
On both sides.

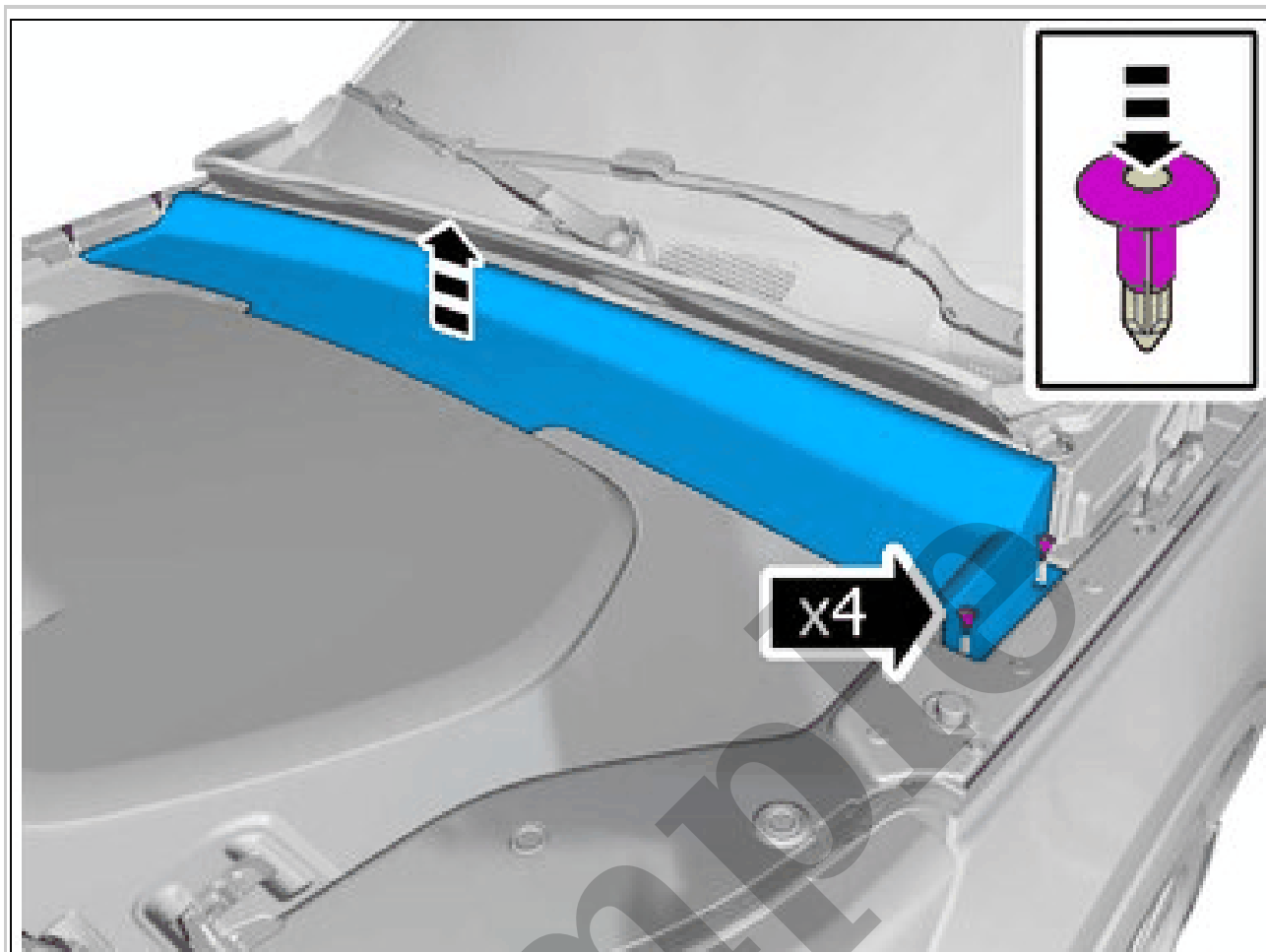


Courtesy of VOLVO CARS CORPORATION

Release the catch.

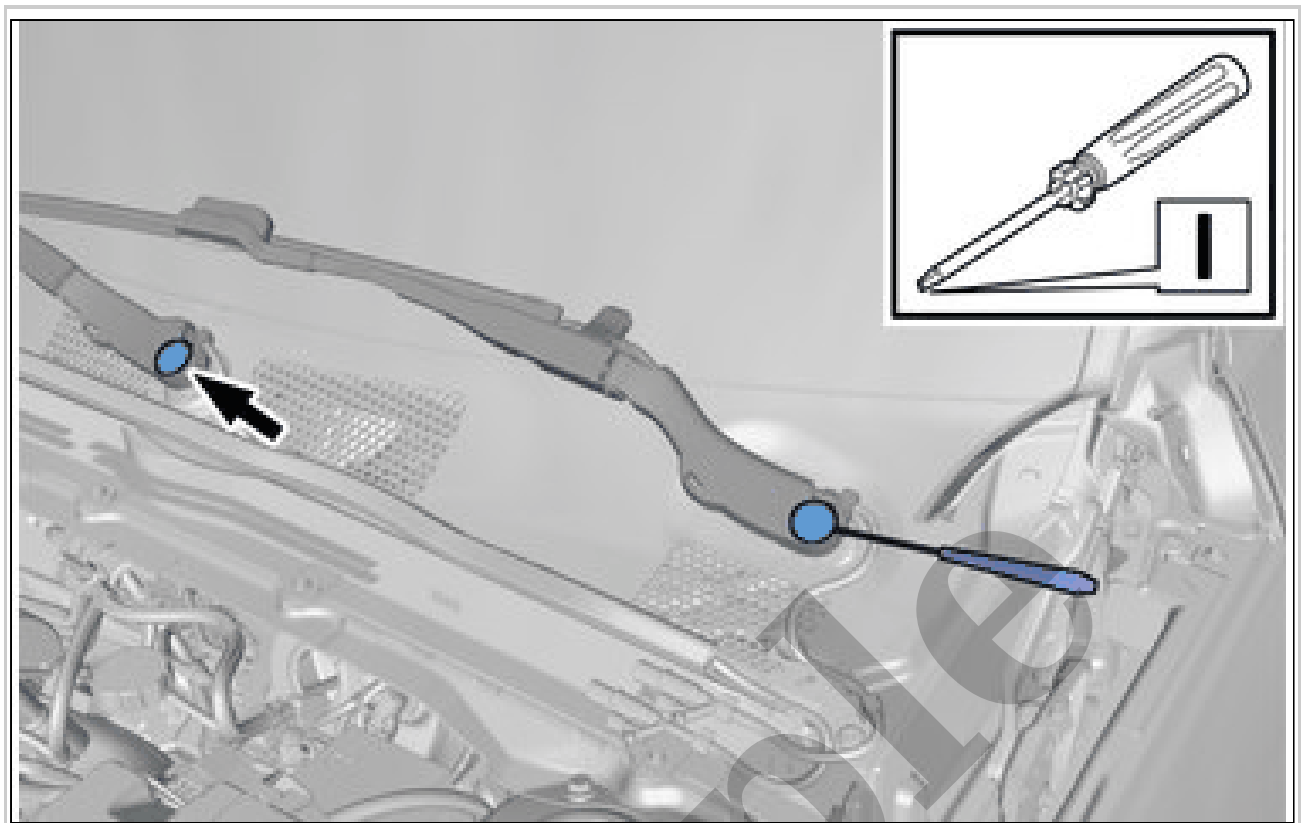
Remove the part carefully

**Use:** Electrician's screwdriver



Courtesy of VOLVO CARS CORPORATION

Remove the clips.  
Remove the marked part.



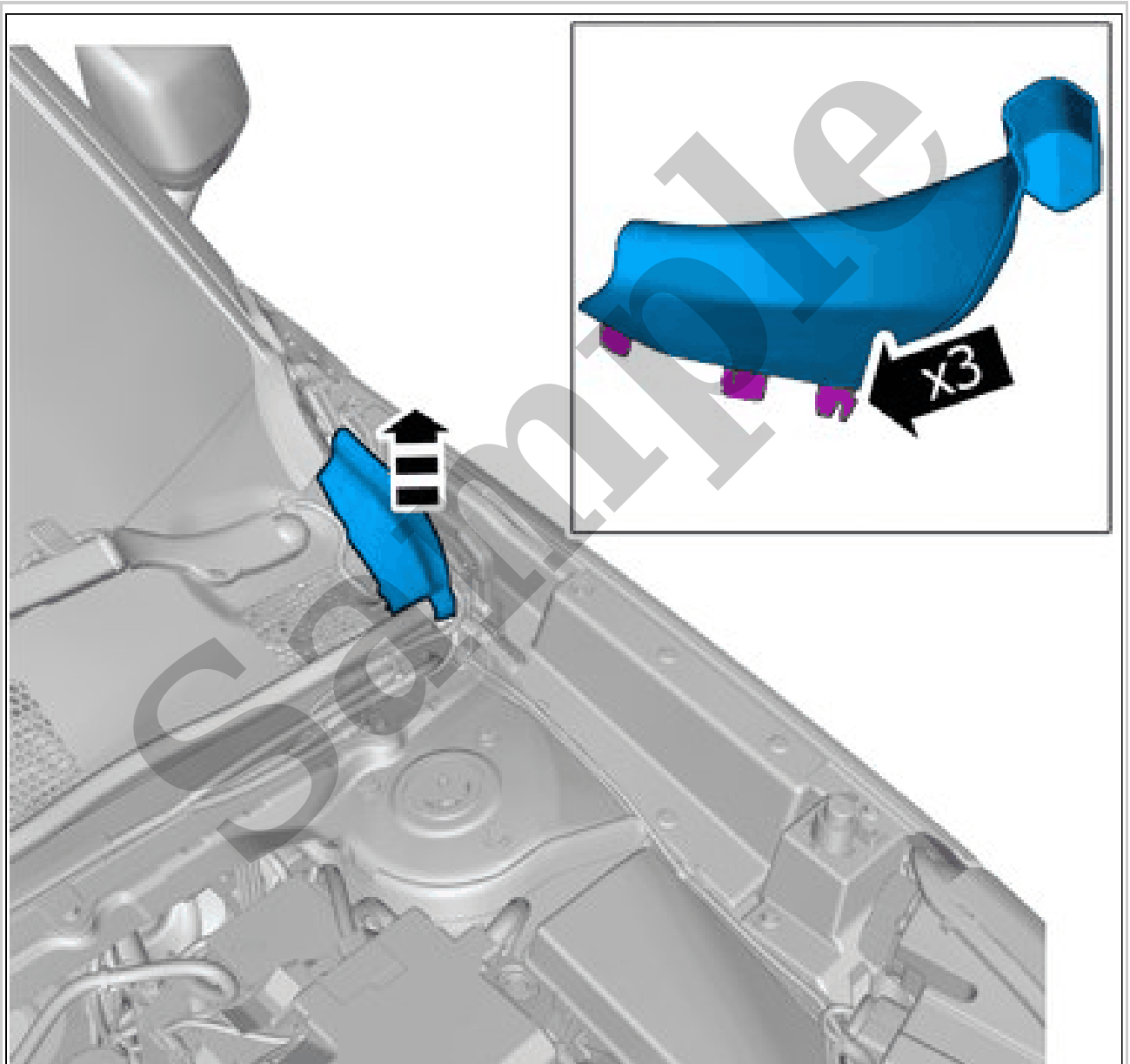
Courtesy of VOLVO CARS CORPORATION

Remove the marked part.

To install, reverse the removal procedure.

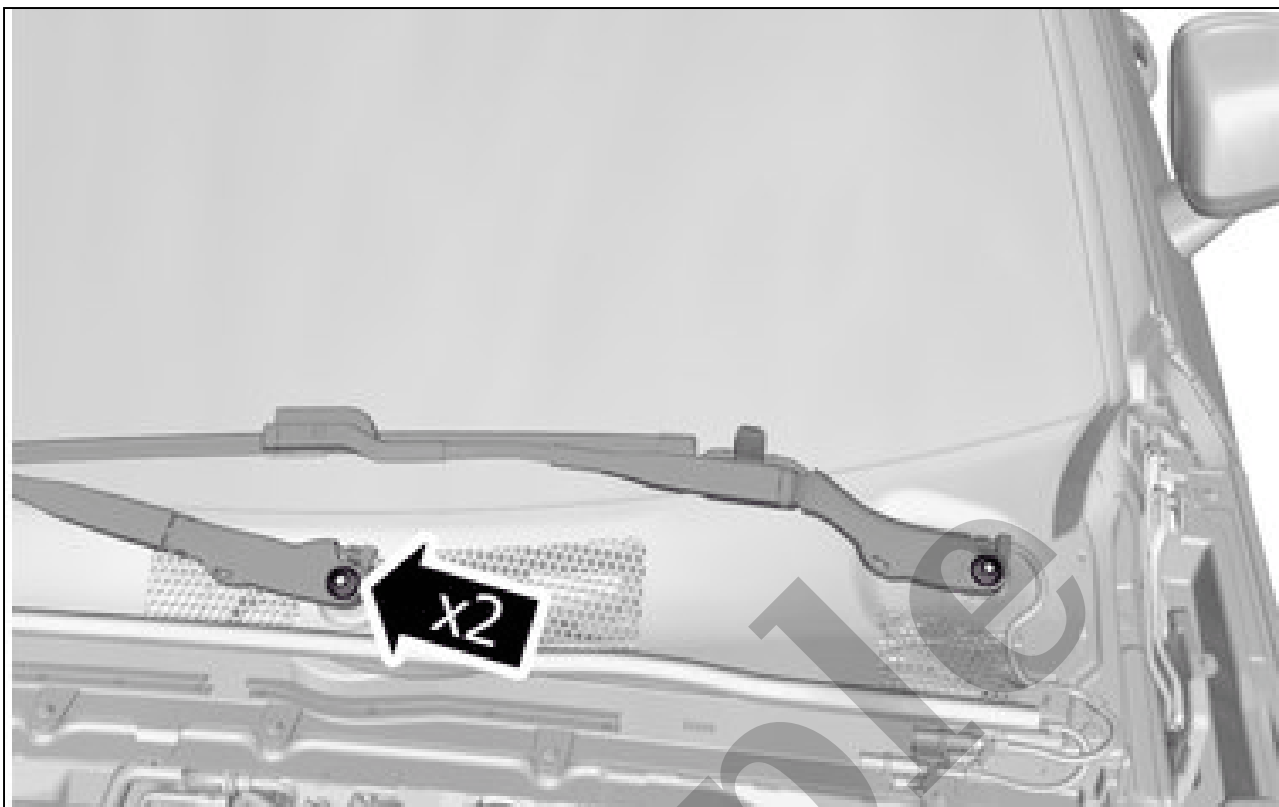
## WIPER ARM > WIPER ARM [2018-2020 | 2021-2022, B4204T18; B4204T47] > REMOVAL

**NOTE:** Removal steps in this procedure may contain installation details.



Courtesy of VOLVO CARS CORPORATION

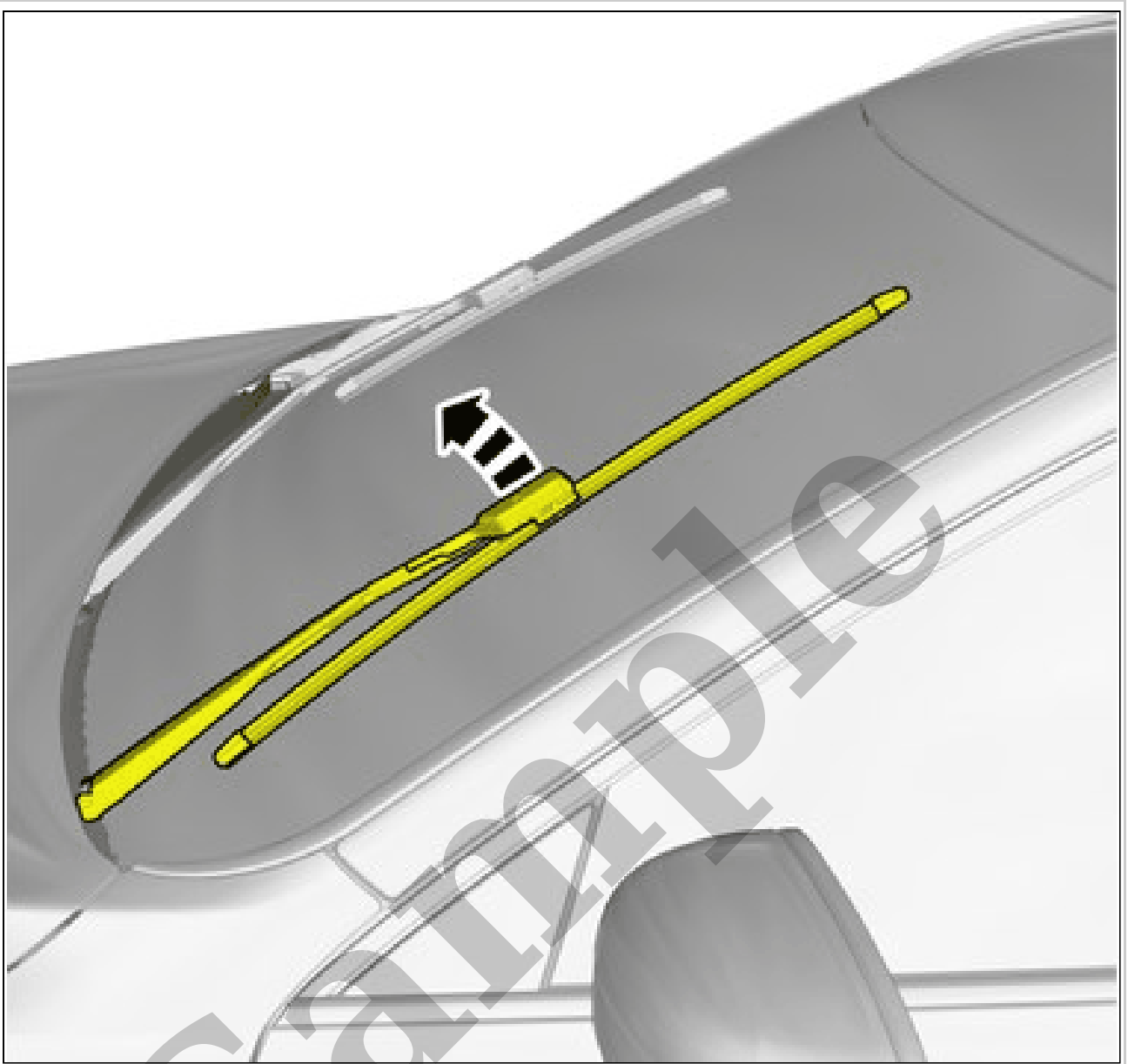
Remove the marked part.



Courtesy of VOLVO CARS CORPORATION

Remove the nuts.

**Torque:** Windshield wiper arm, 28Nm

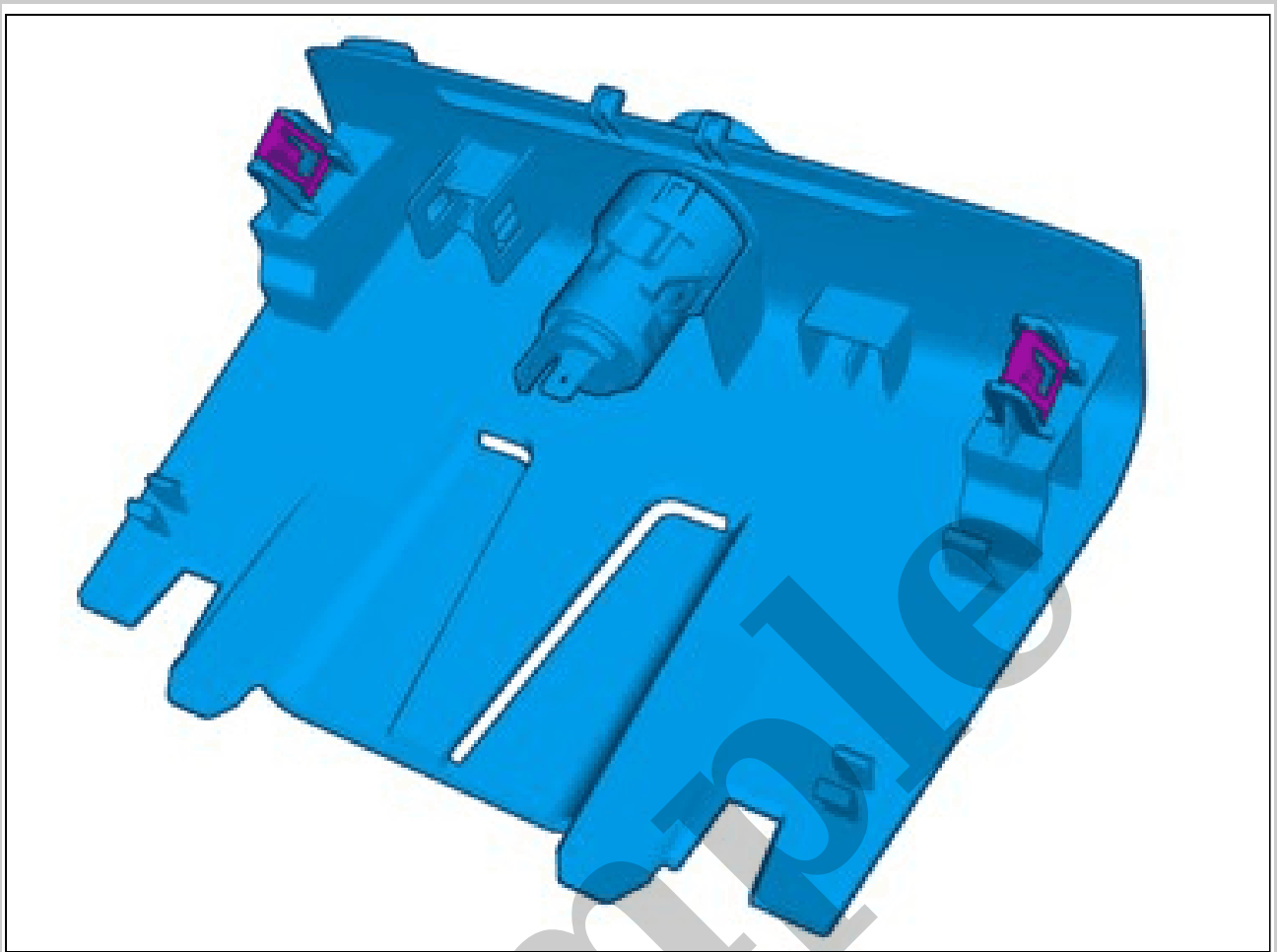


Courtesy of VOLVO CARS CORPORATION





Courtesy of VOLVO CARS CORPORATION



Courtesy of VOLVO CARS CORPORATION

**NOTE:** *The graphic shows the back of the component before removal.*