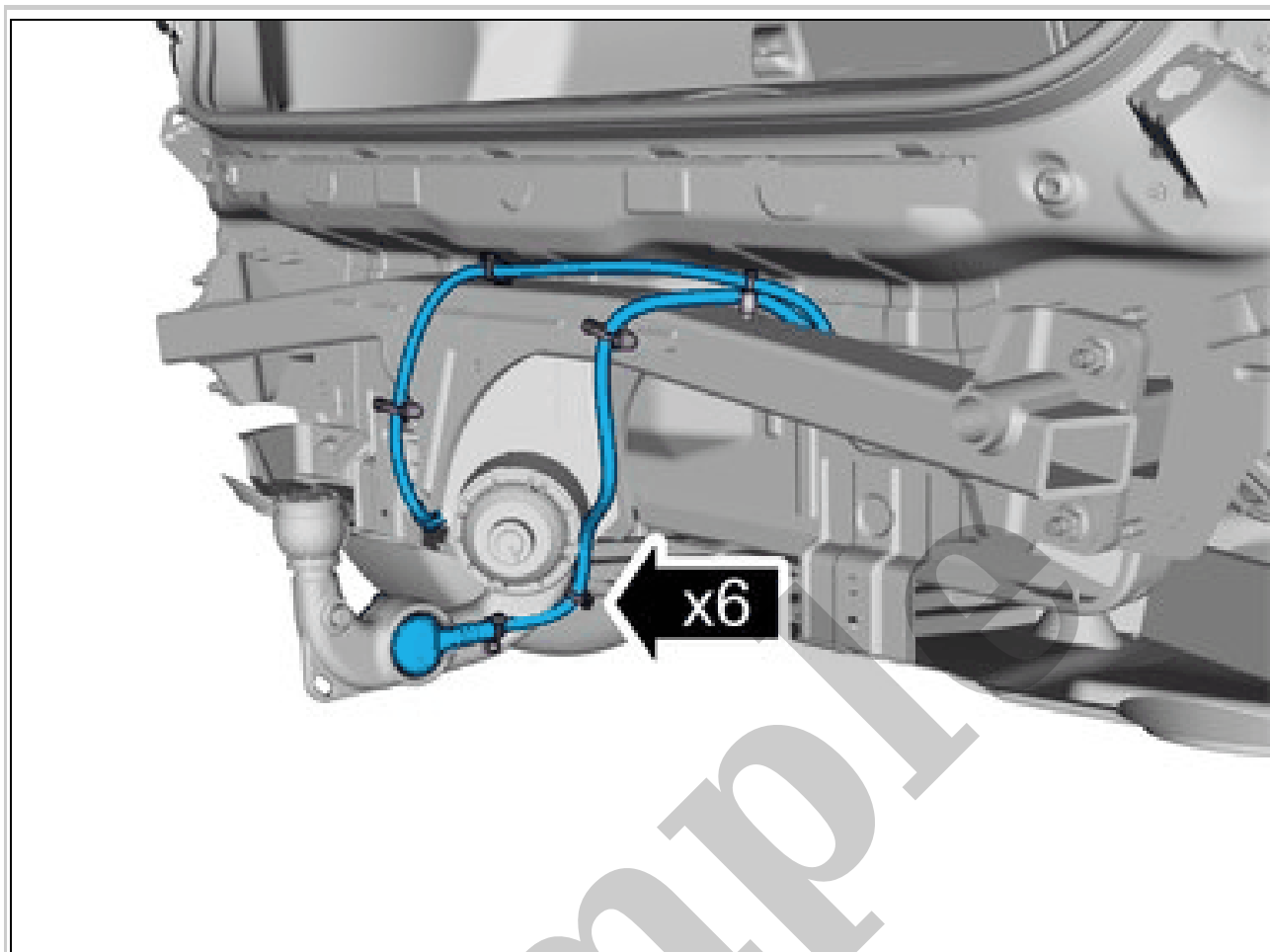


Your Ultimate Source for OEM Repair Manuals

FactoryManuals.net is a great resource for anyone who wants to save money on repairs by doing their own work. The manuals provide detailed instructions and diagrams that make it easy to understand how to fix a vehicle.

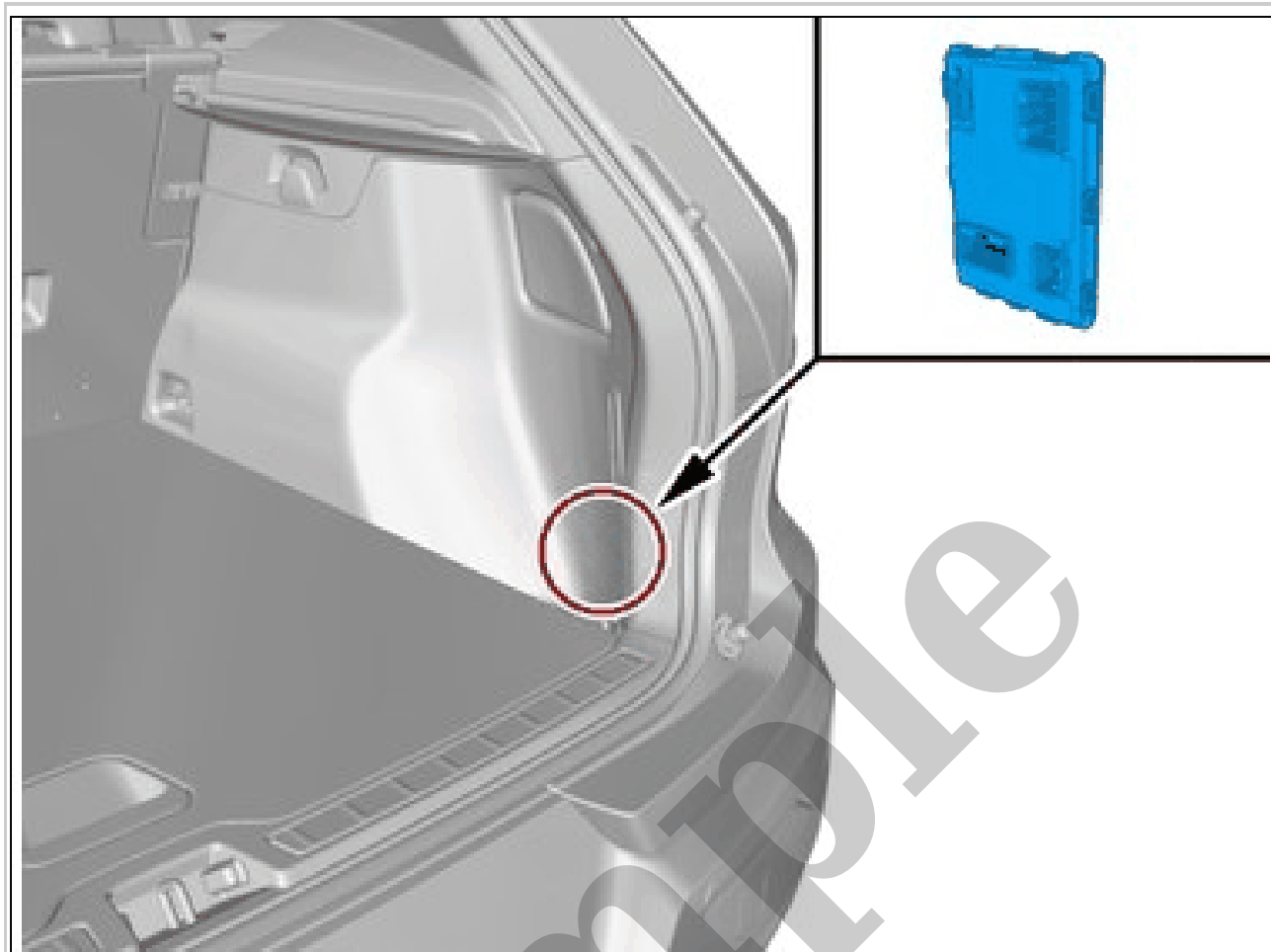
2020 Volvo V90 Cross Country Service and Repair Manual

[Go to manual page](#)



Courtesy of VOLVO CARS CORPORATION

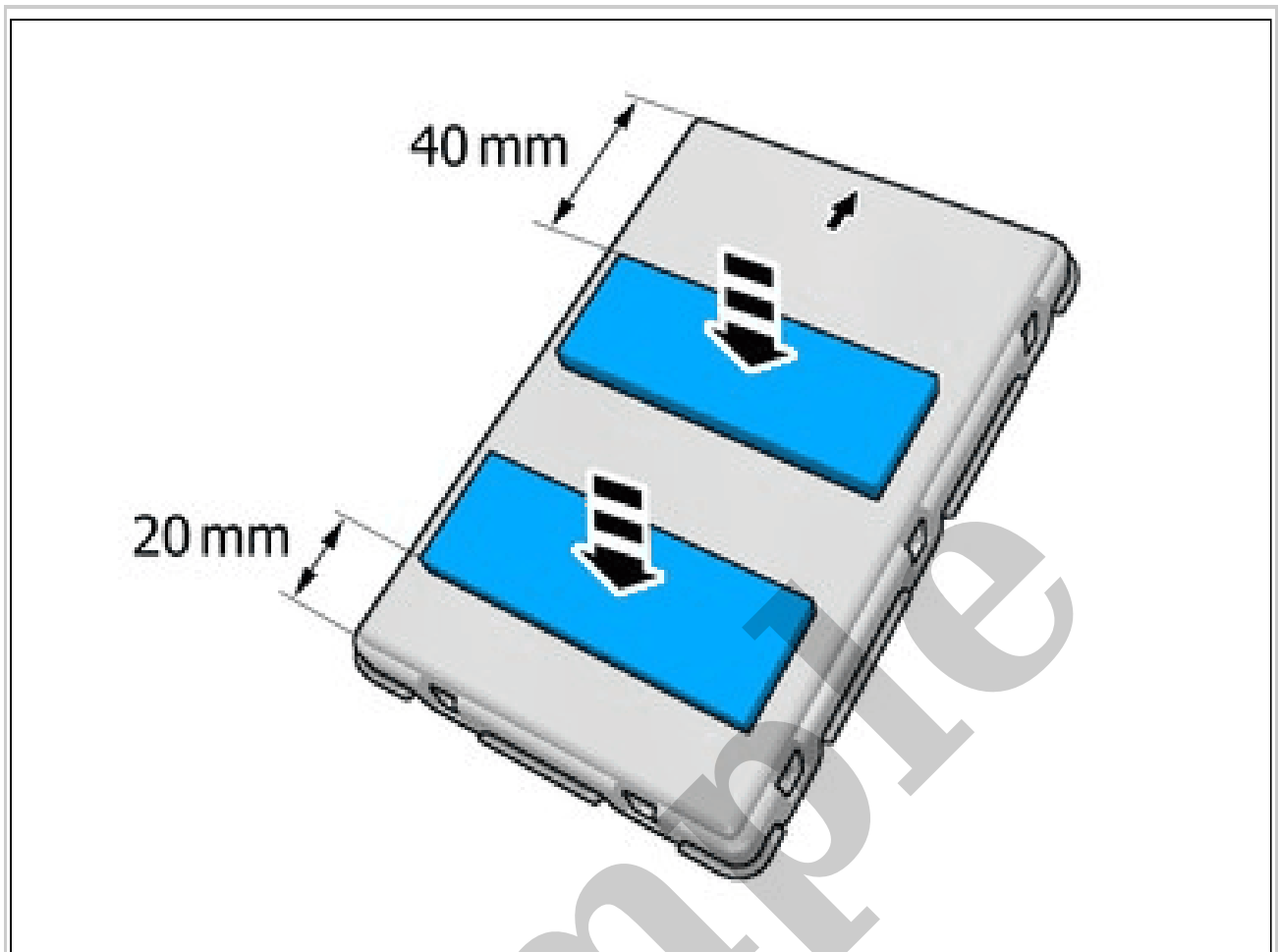
Remove the cable harness clips.



Courtesy of VOLVO CARS CORPORATION

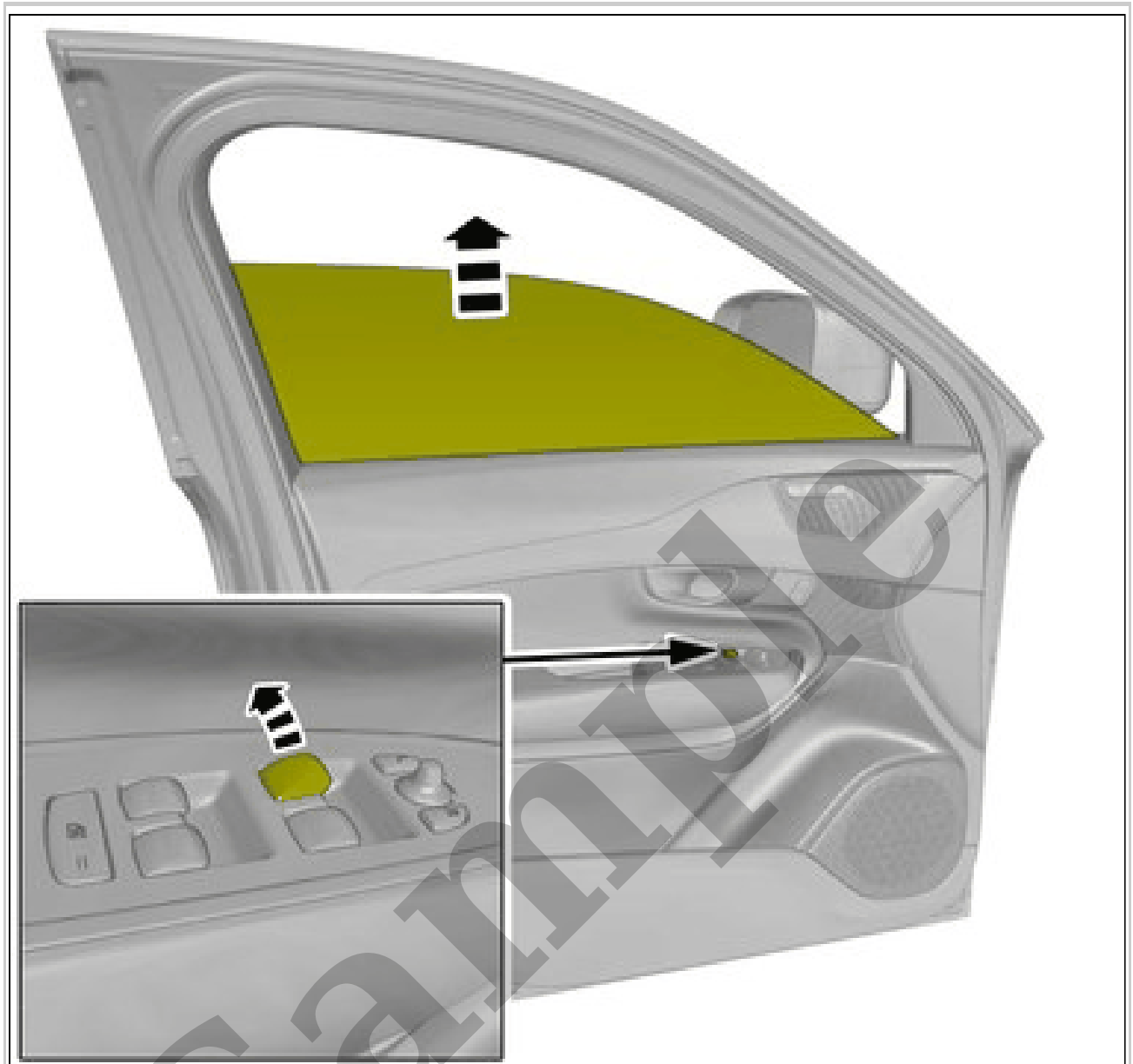
NOTE: *Orientation view*

Set the vehicle to Inactive mode, described in user mode. Refer to: USAGE MODE
Remove right-hand side side panel load compartment. Refer to: SIDE PANEL LOADSPACE



Courtesy of VOLVO CARS CORPORATION

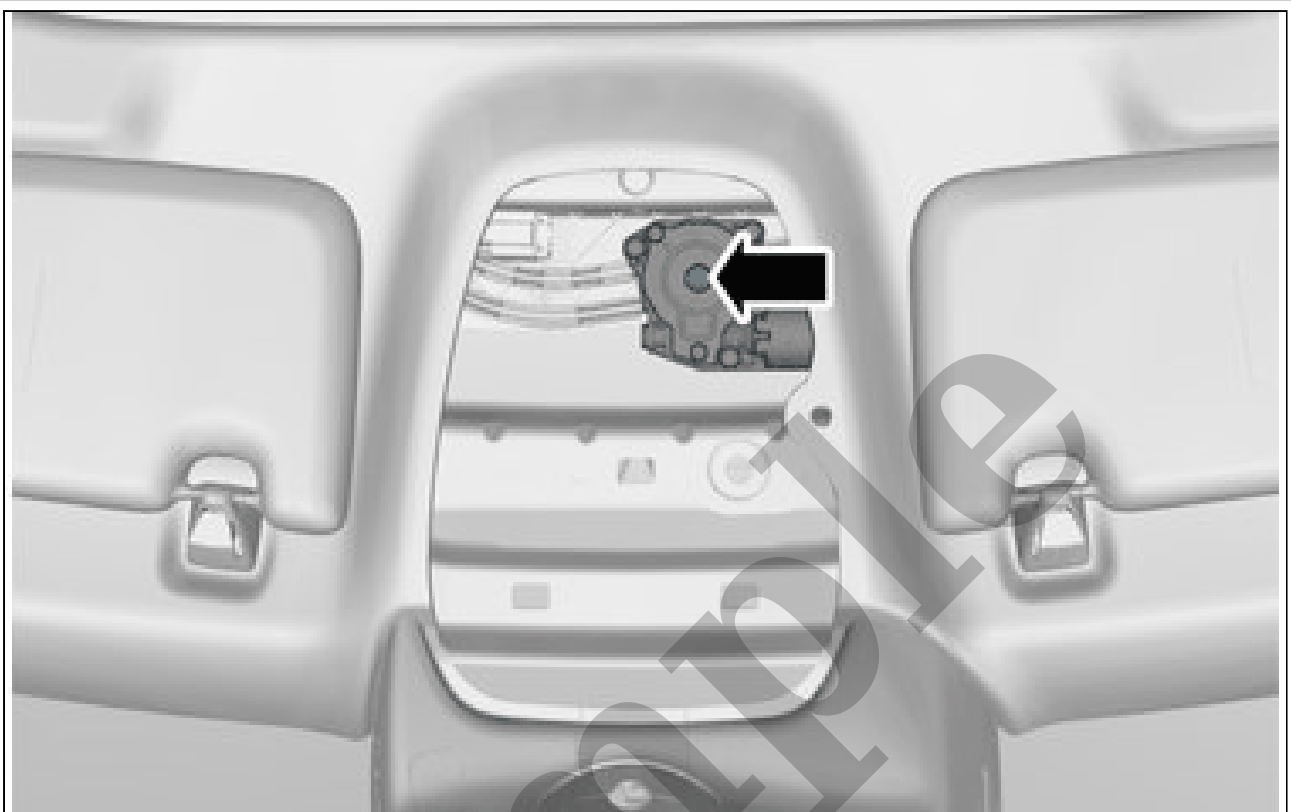
Install the marked components.



Courtesy of VOLVO CARS CORPORATION

EMERGENCY OPENING SUN ROOF > EMERGENCY OPENING SUN ROOF [2018-2022] > REMOVAL

Remove the Overhead Console (OHC). Refer to: OVERHEAD CONSOLE



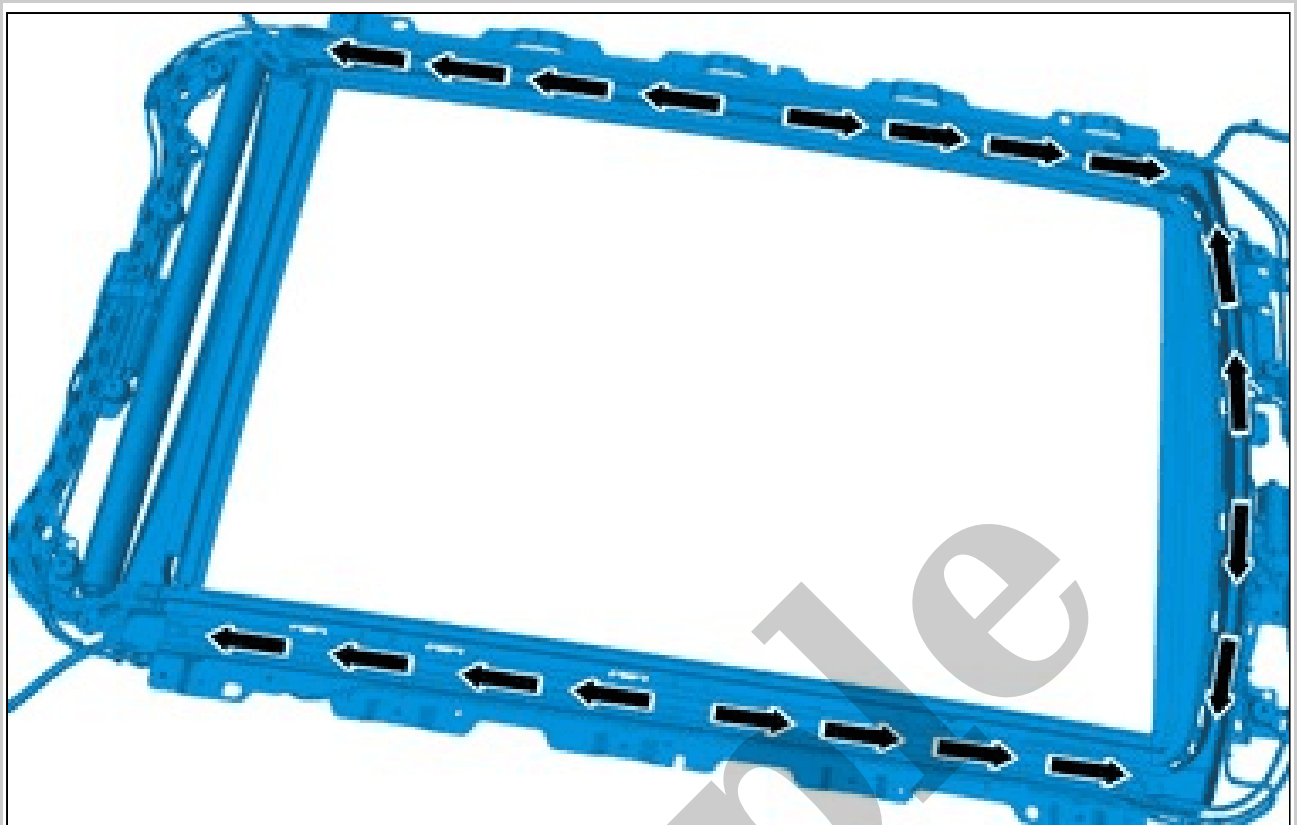
Courtesy of VOLVO CARS CORPORATION

EMERGENCY OPENING SUN ROOF > EMERGENCY OPENING SUN ROOF [2018-2022] > INSTALLATION

Install Overhead console OHC. Refer to: OVERHEAD CONSOLE

LEAK TESTING THE SUN ROOF > LEAK TESTING THE SUN ROOF [2018-2022] > REMOVAL

Remove the headlining. Refer to: HEADLINING

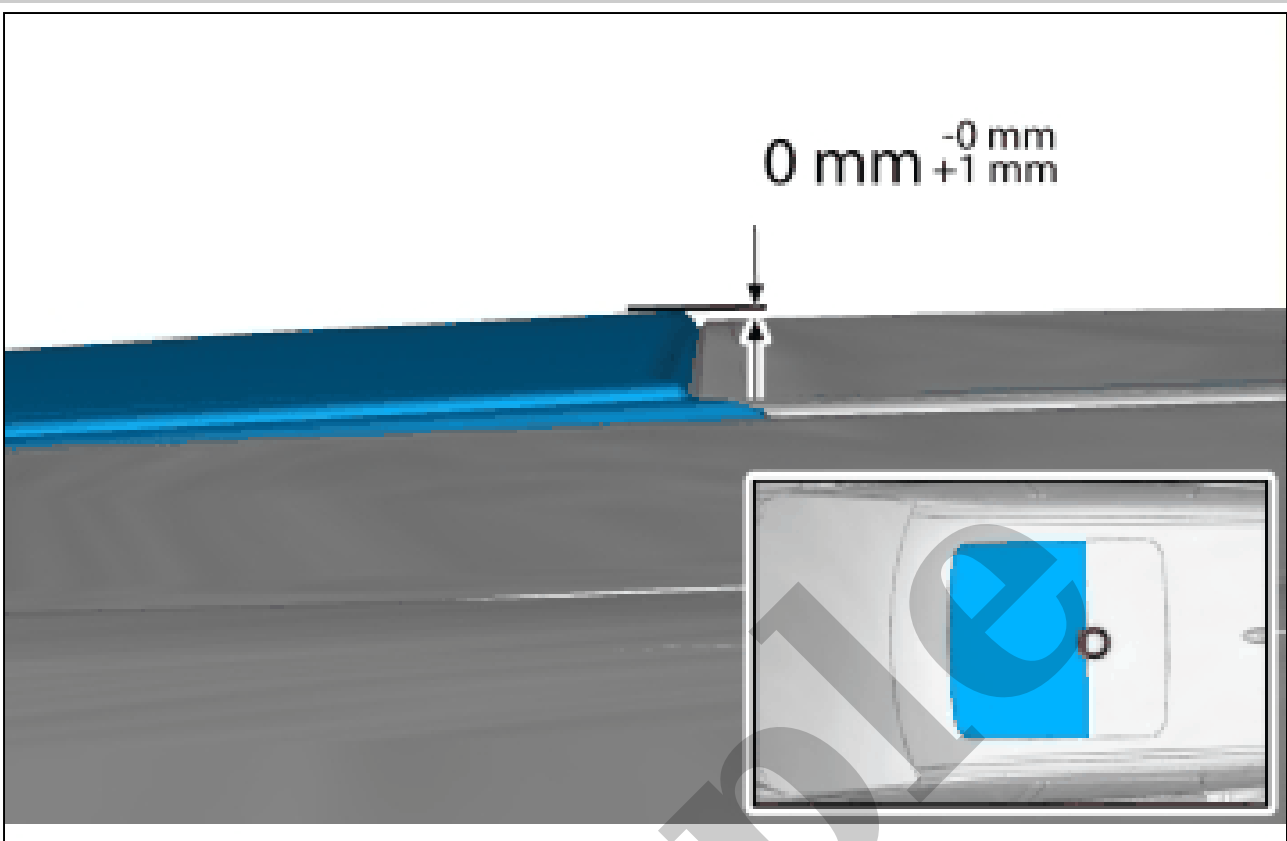


Courtesy of VOLVO CARS CORPORATION

LEAK TESTING THE SUN ROOF > LEAK TESTING THE SUN ROOF [2018-2022] > INSTALLATION

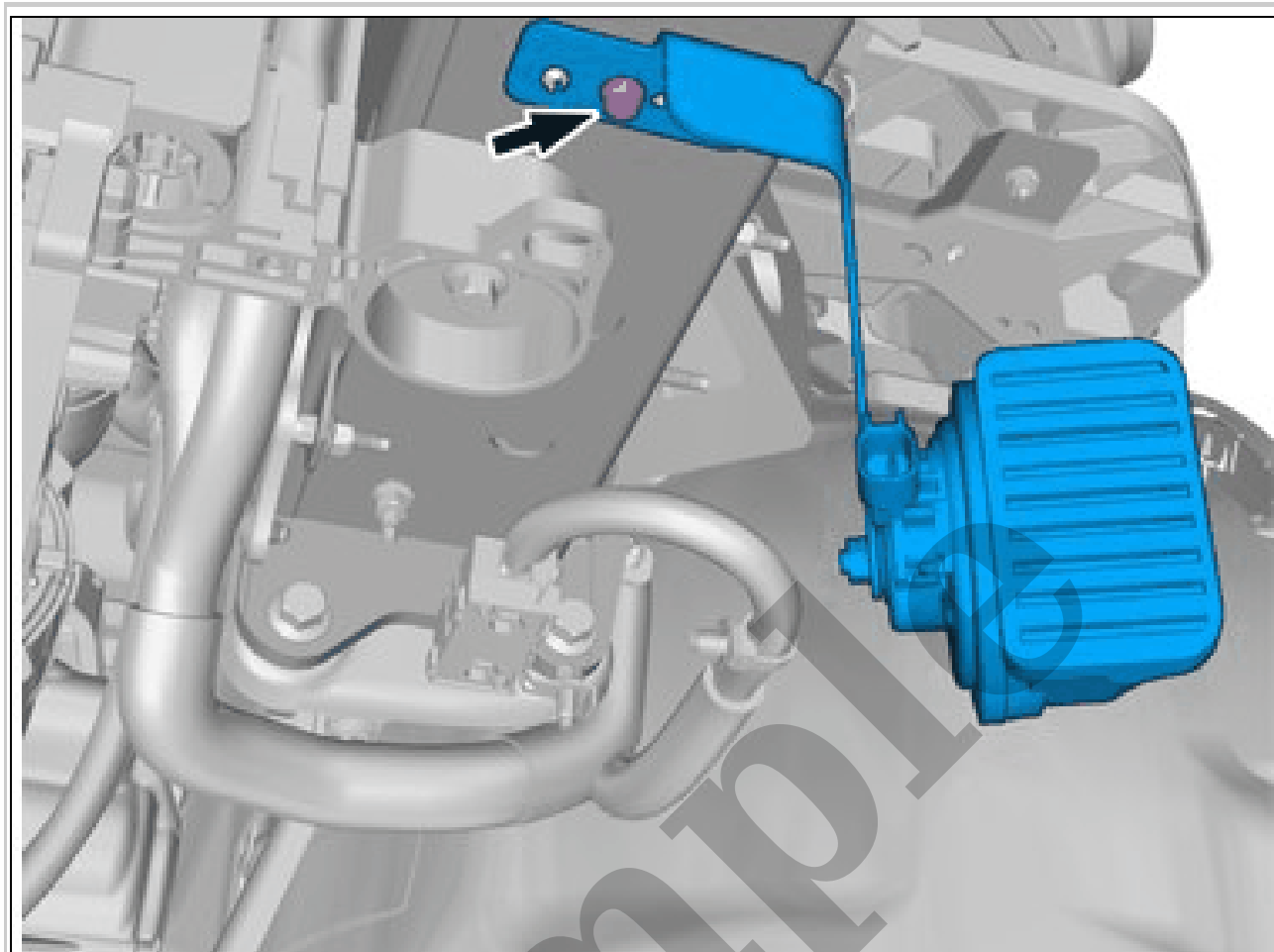
Install the headlining. Refer to: HEADLINING

SUN ROOF > SUN ROOF [2018-2022] > REMOVAL



Courtesy of VOLVO CARS CORPORATION

Sample



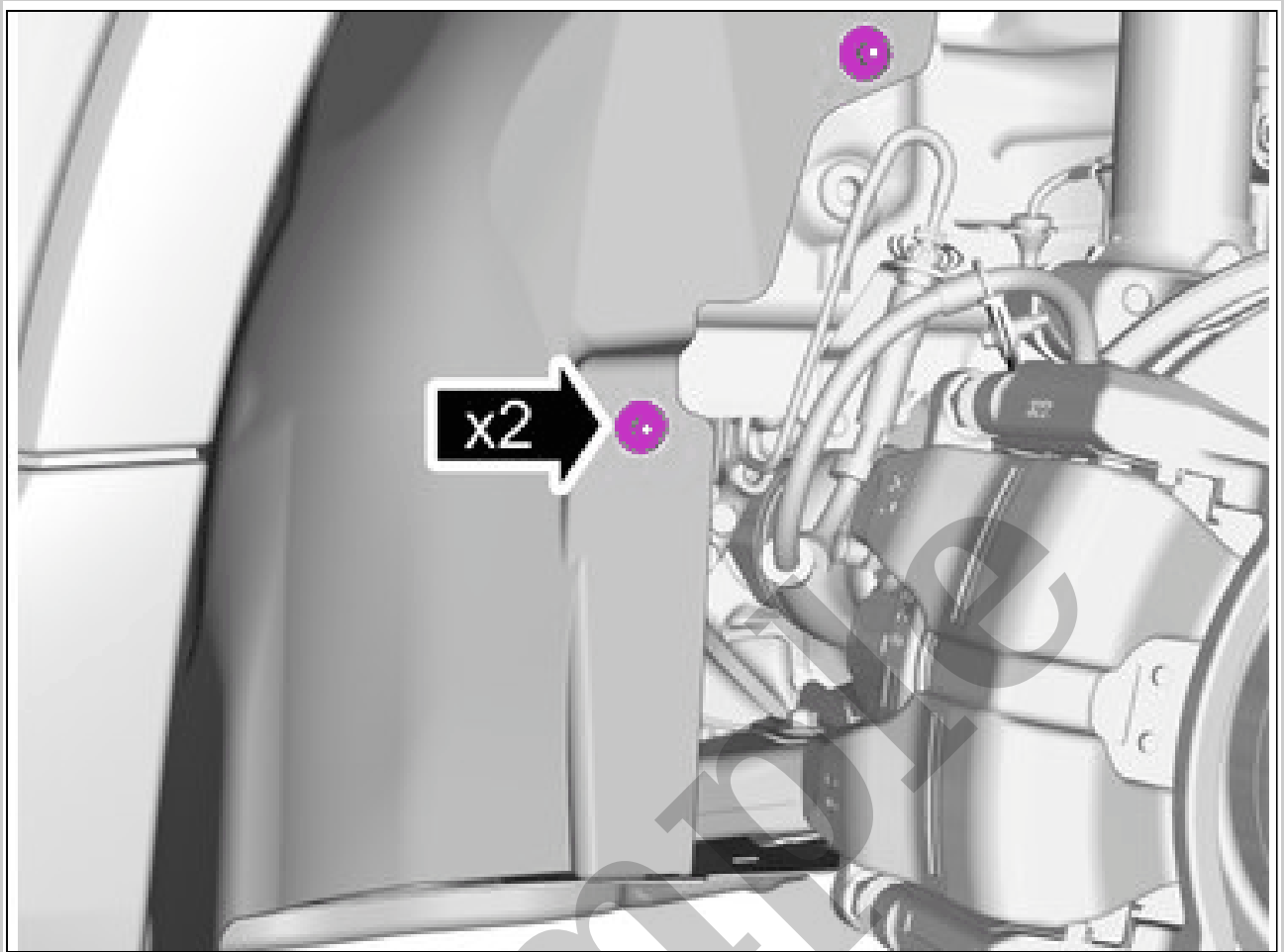
Courtesy of VOLVO CARS CORPORATION

Remove the screw.

Torque: M6, 10Nm

Remove the marked part.

APPLIES TO THE RIGHT-HAND SIDE



Courtesy of VOLVO CARS CORPORATION

Remove the nuts.