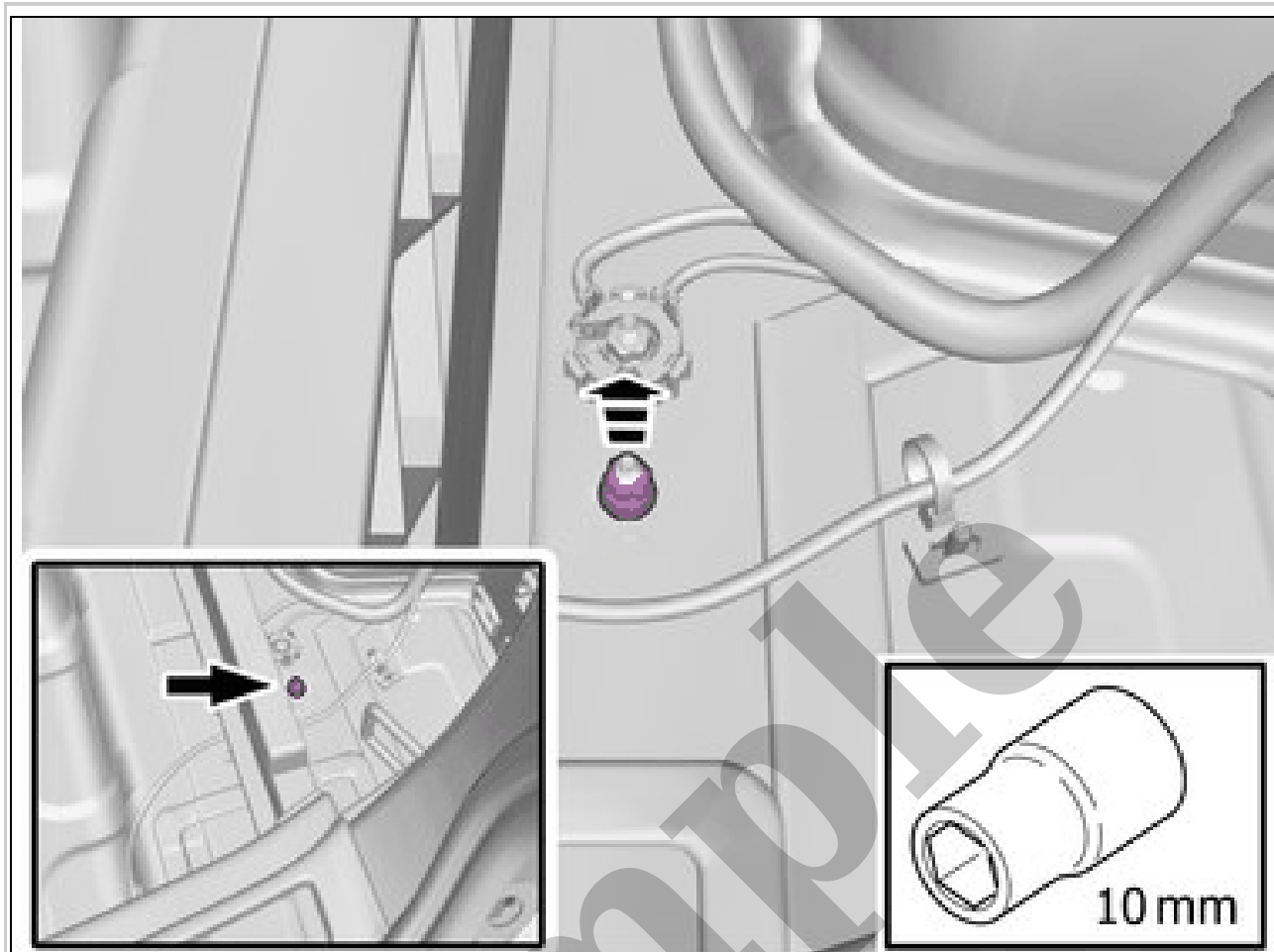


# Your Ultimate Source for OEM Repair Manuals

FactoryManuals.net is a great resource for anyone who wants to save money on repairs by doing their own work. The manuals provide detailed instructions and diagrams that make it easy to understand how to fix a vehicle.

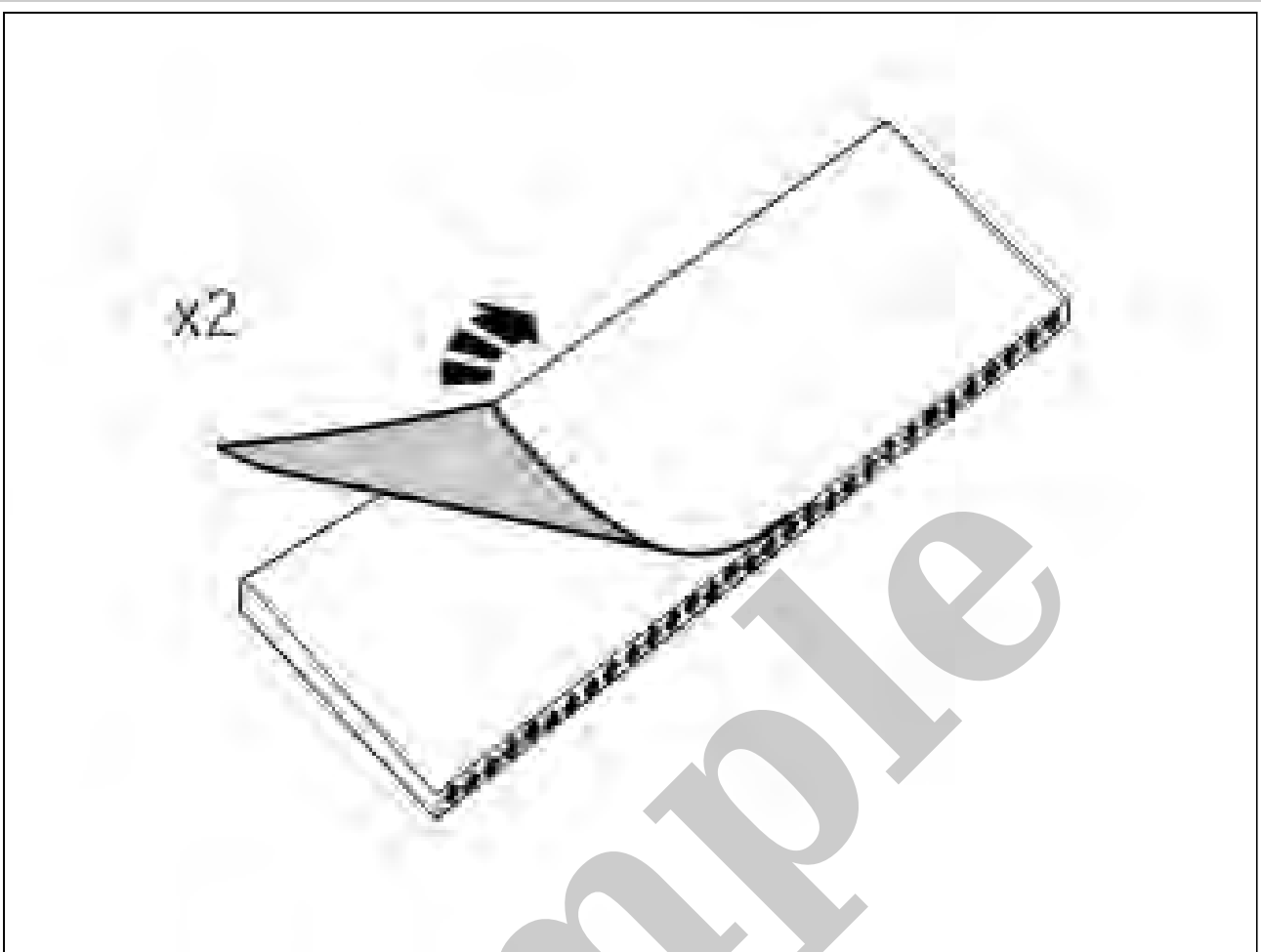
## Volvo V60 2020 Manual - Complete Service & Repair

[Go to manual page](#)



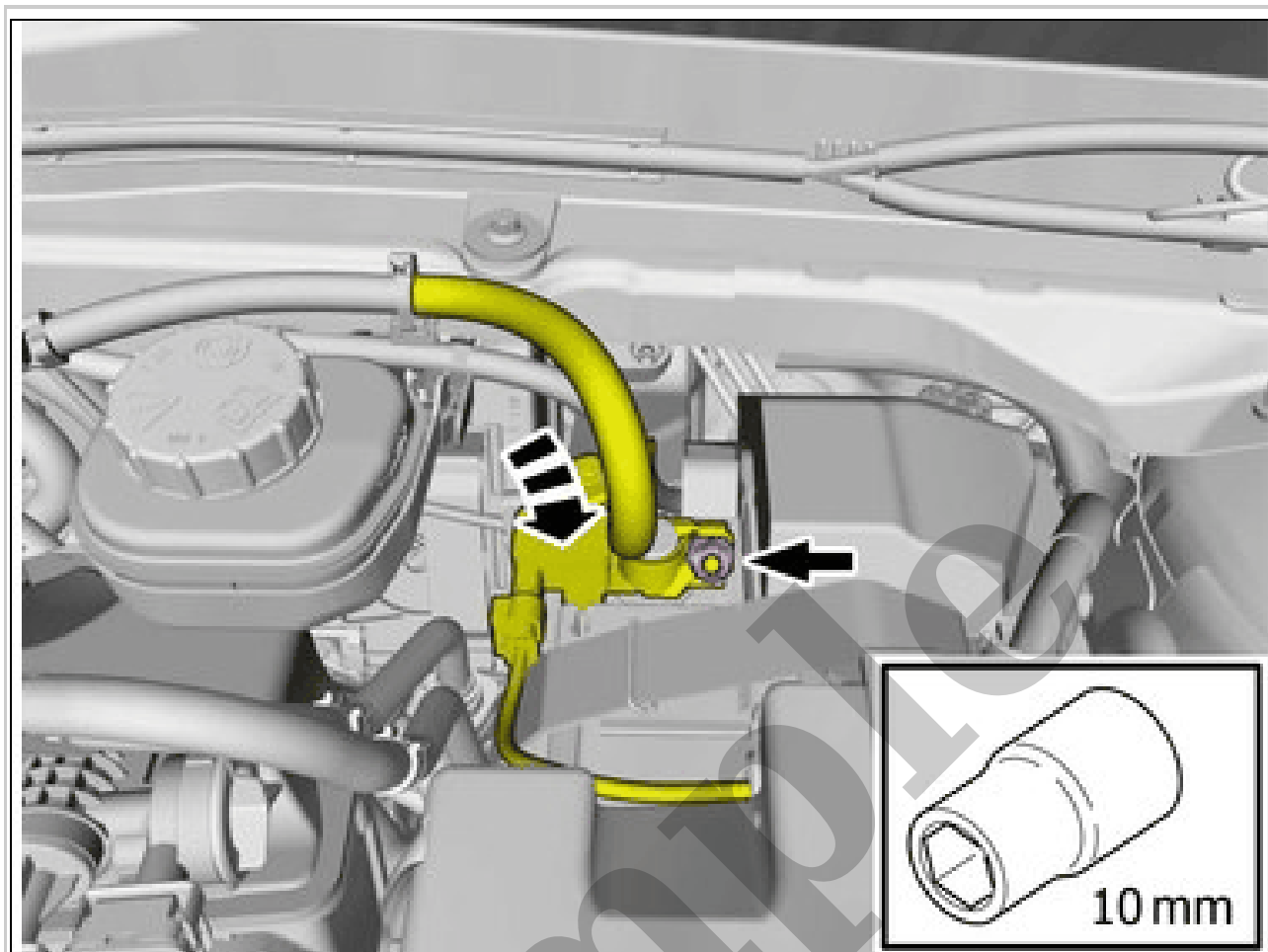
Courtesy of VOLVO CARS CORPORATION

Remove the nut.  
The part is to be reused.



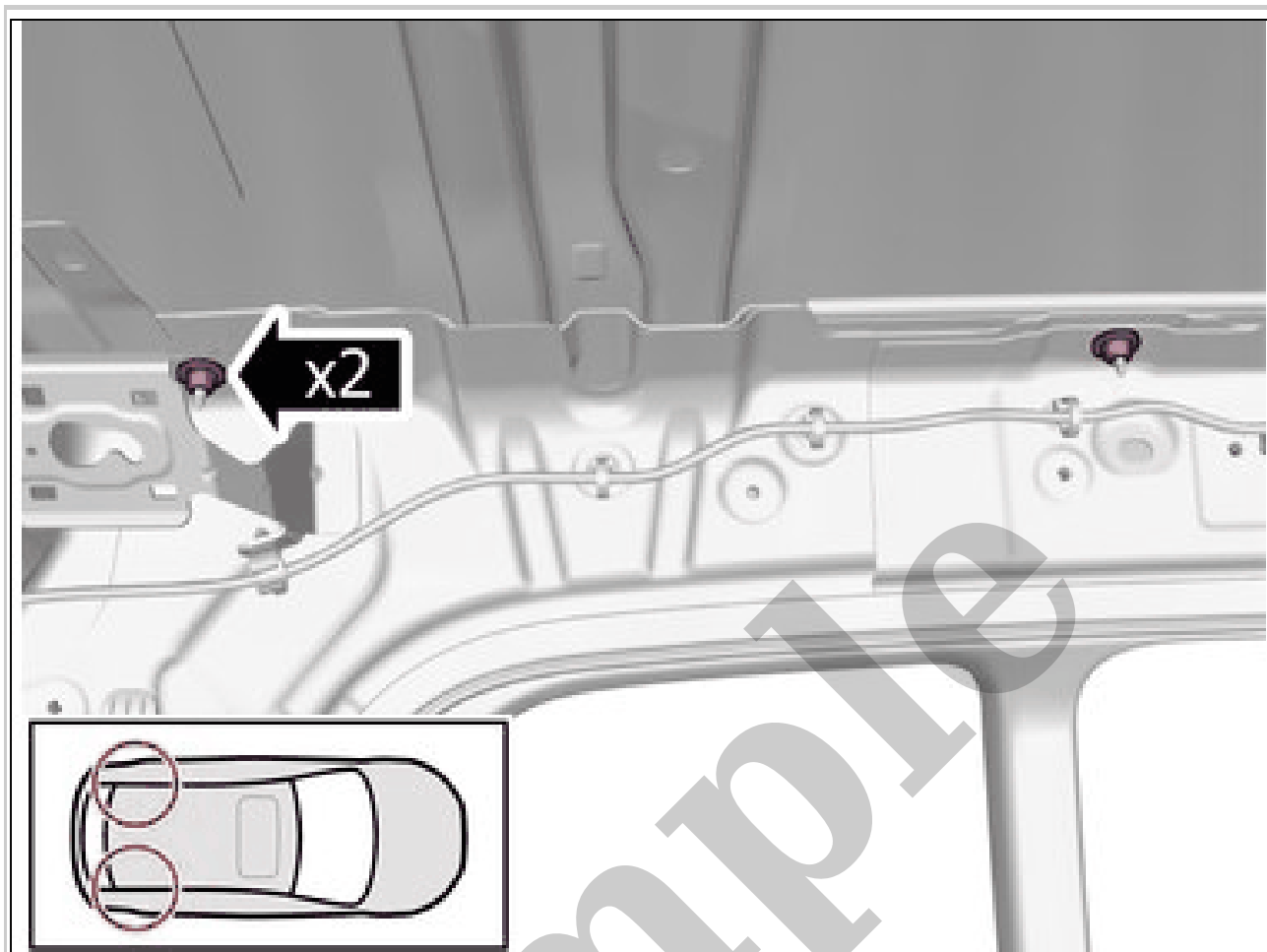
Courtesy of VOLVO CARS CORPORATION

Sample



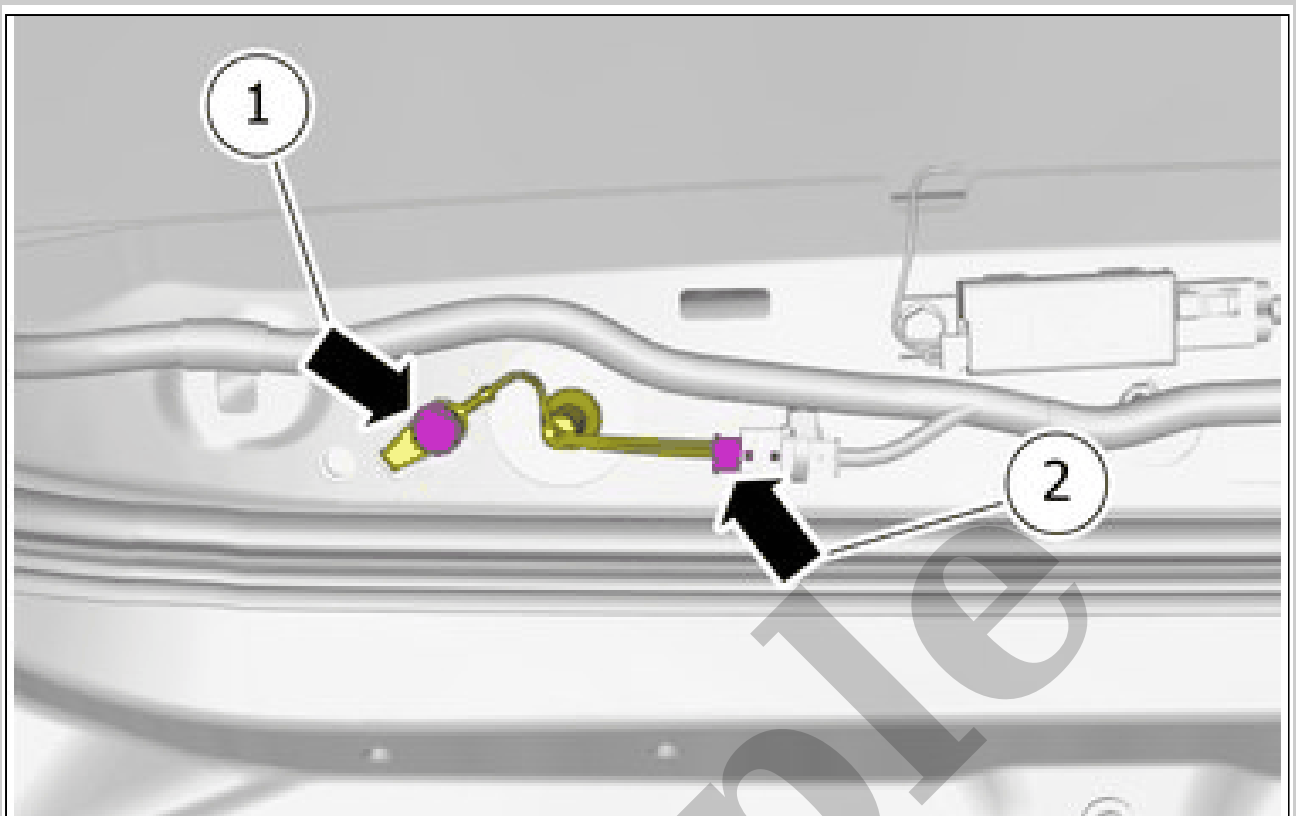
Courtesy of VOLVO CARS CORPORATION

Reinstall the battery's negative cable.  
**Torque:** Battery cable for battery, 6Nm  
**ACCESSORY INSTALLATION**



Courtesy of VOLVO CARS CORPORATION

Remove the nuts.

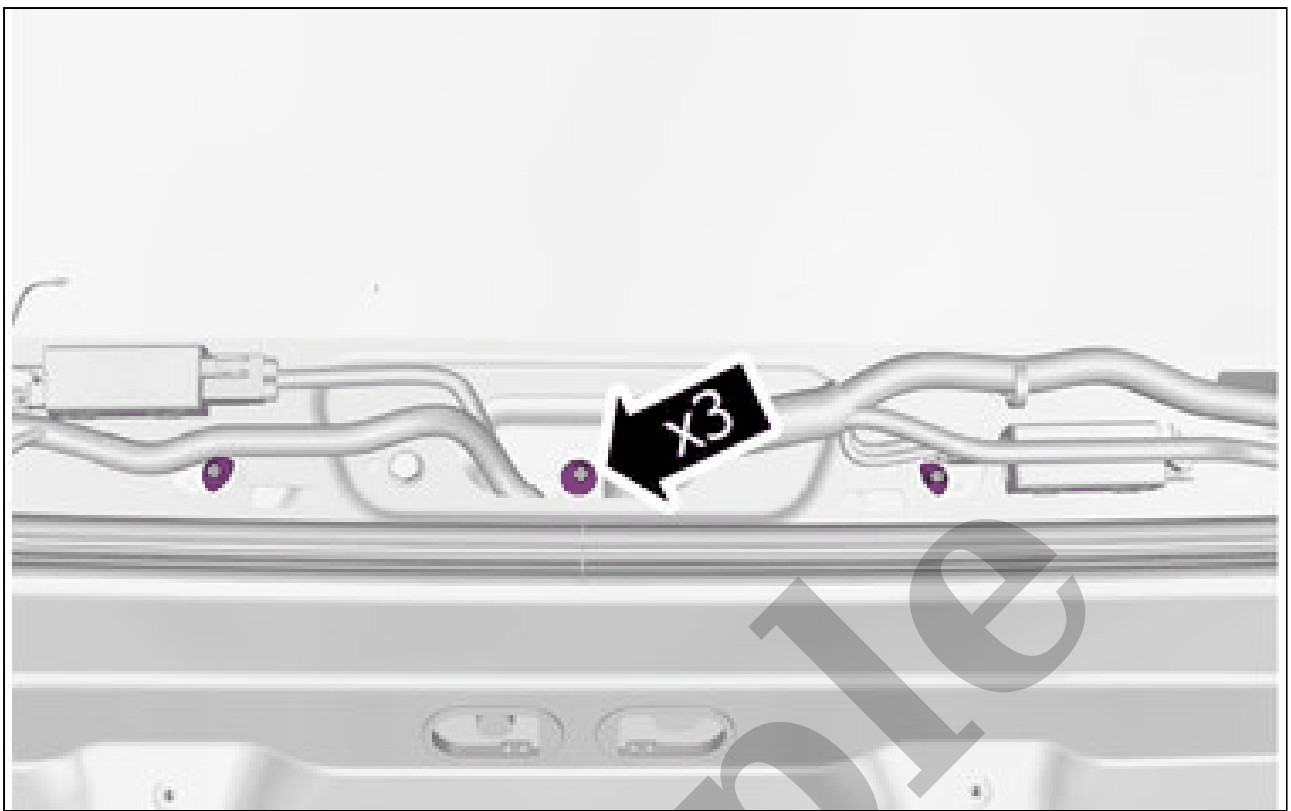


Courtesy of VOLVO CARS CORPORATION

**Torque:** M5, 5Nm

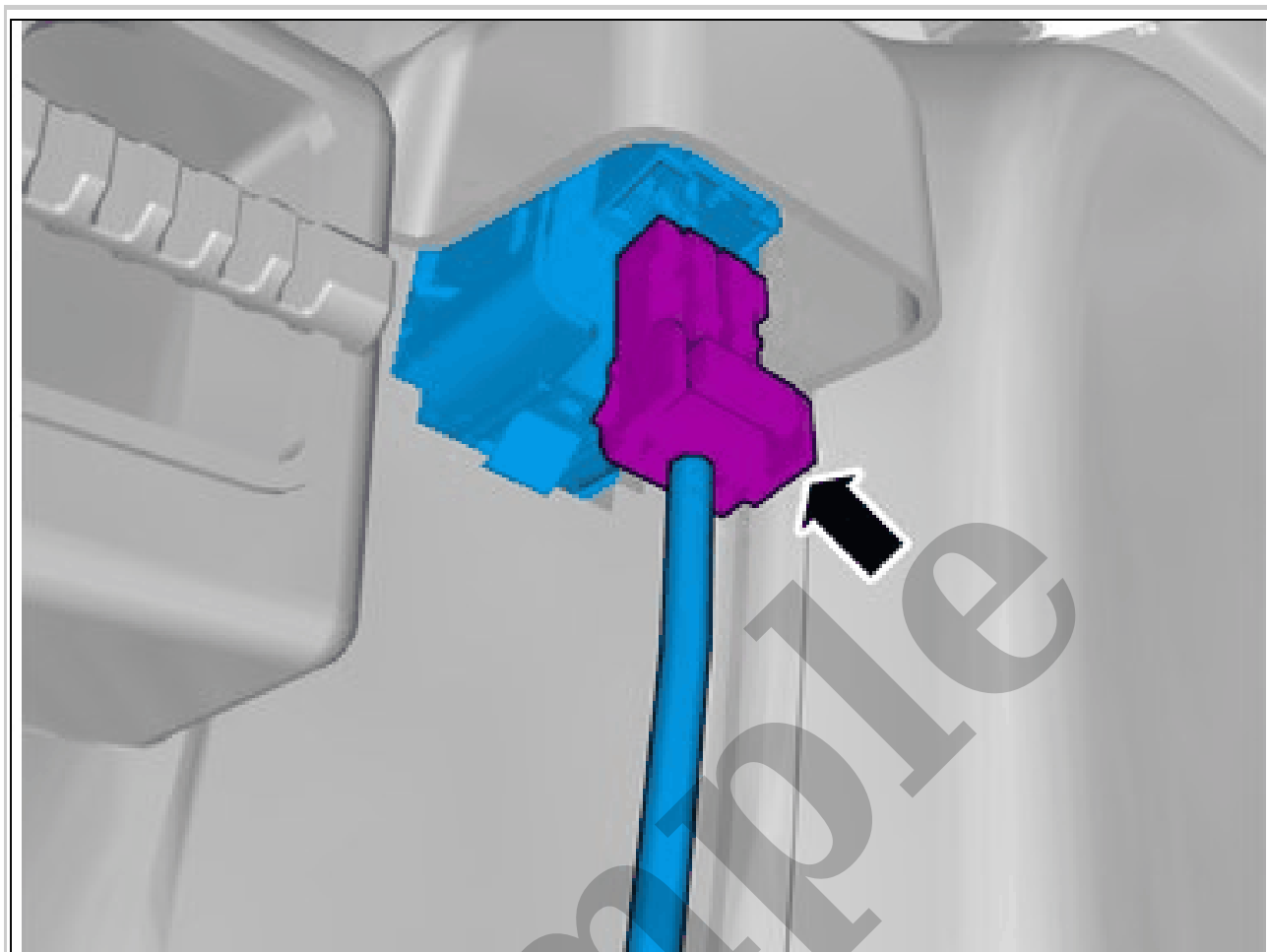
Remove the screw.

Disconnect the connector.



Courtesy of VOLVO CARS CORPORATION

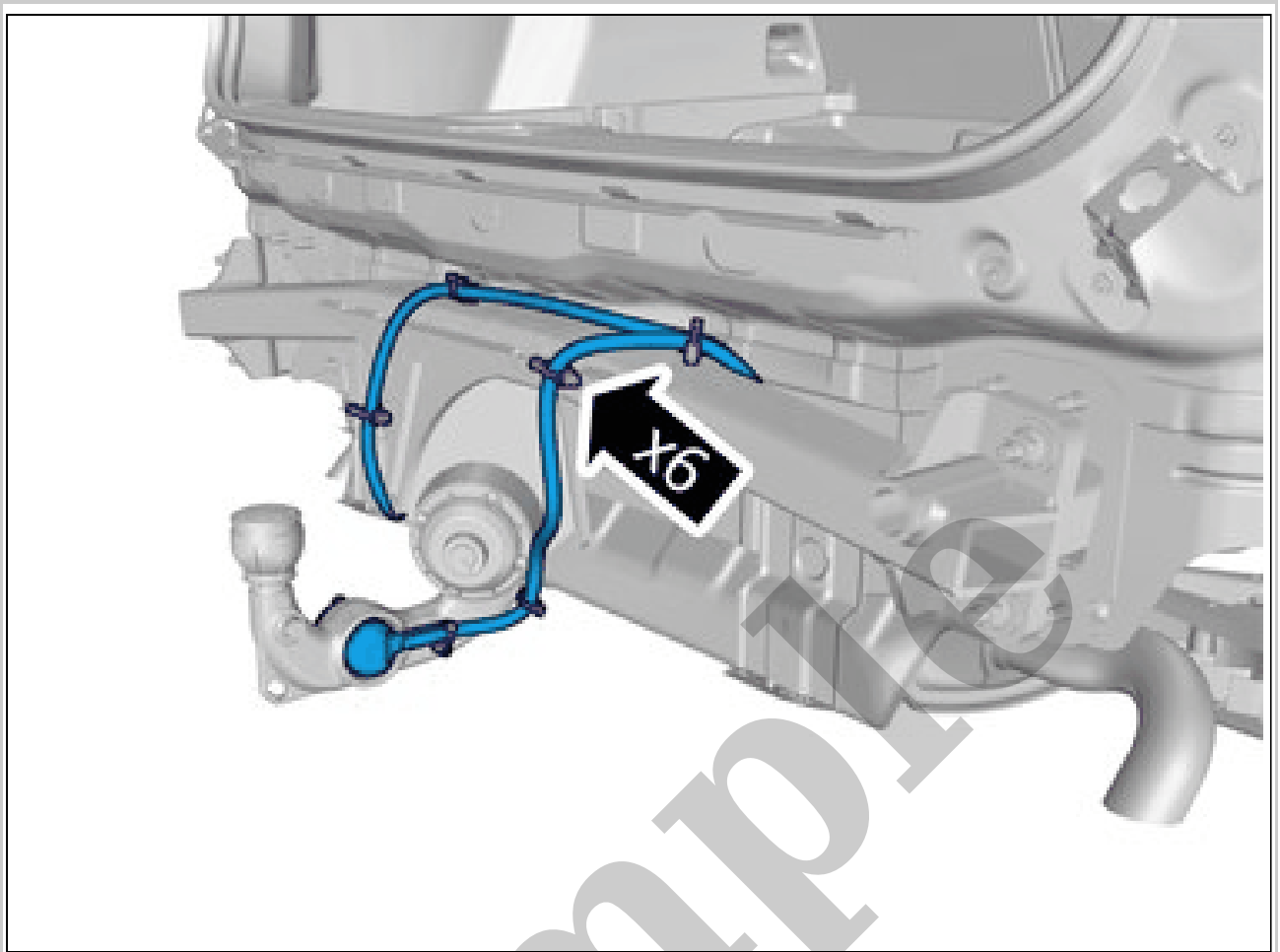
**Torque:** Nut spoiler rear, 4Nm  
Remove the nuts.



Courtesy of VOLVO CARS CORPORATION

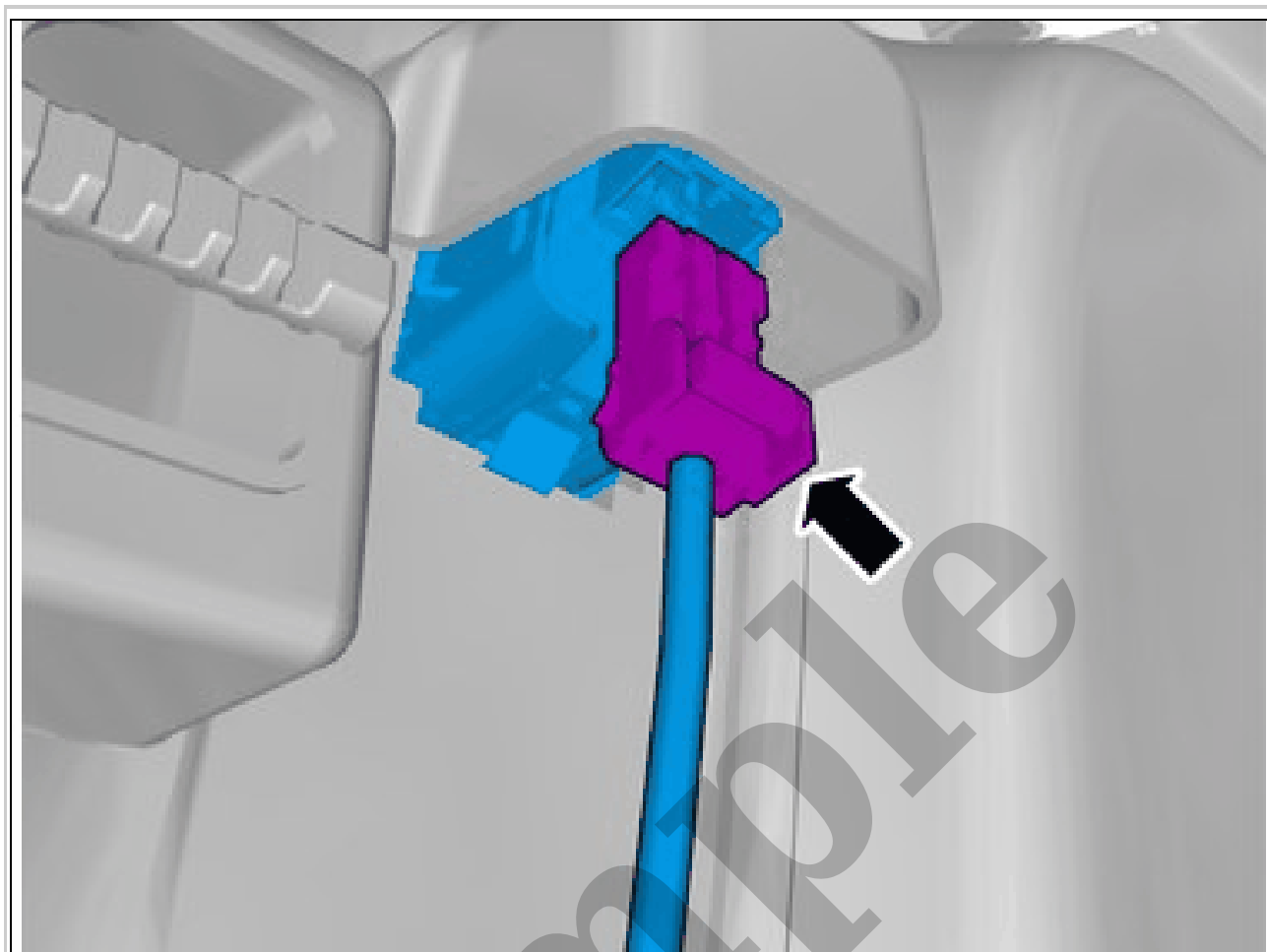
Disconnect the connector.





Courtesy of VOLVO CARS CORPORATION

Remove the cable harness clips.



Courtesy of VOLVO CARS CORPORATION

Disconnect the connector.