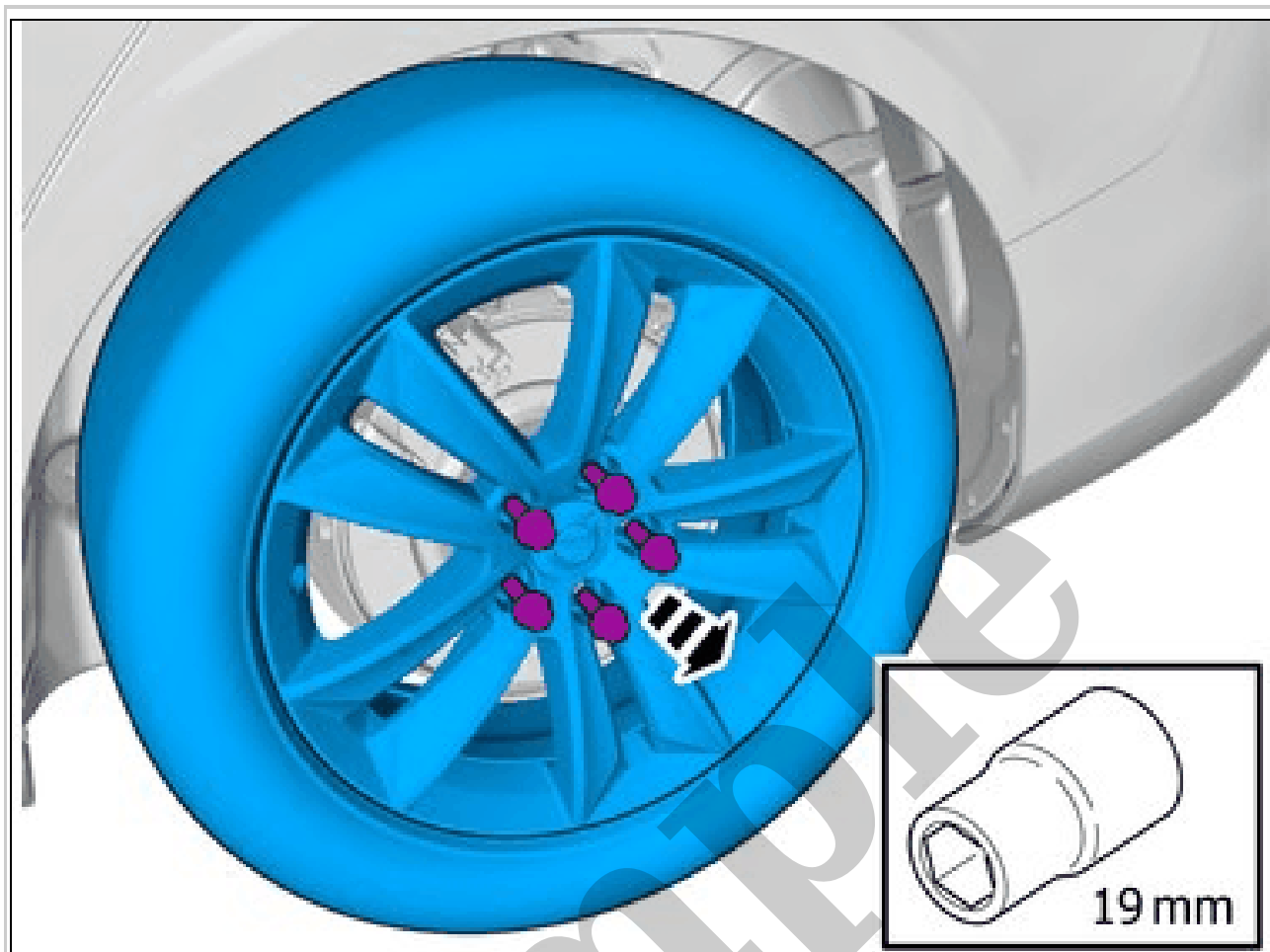


# Your Ultimate Source for OEM Repair Manuals

FactoryManuals.net is a great resource for anyone who wants to save money on repairs by doing their own work. The manuals provide detailed instructions and diagrams that make it easy to understand how to fix a vehicle.

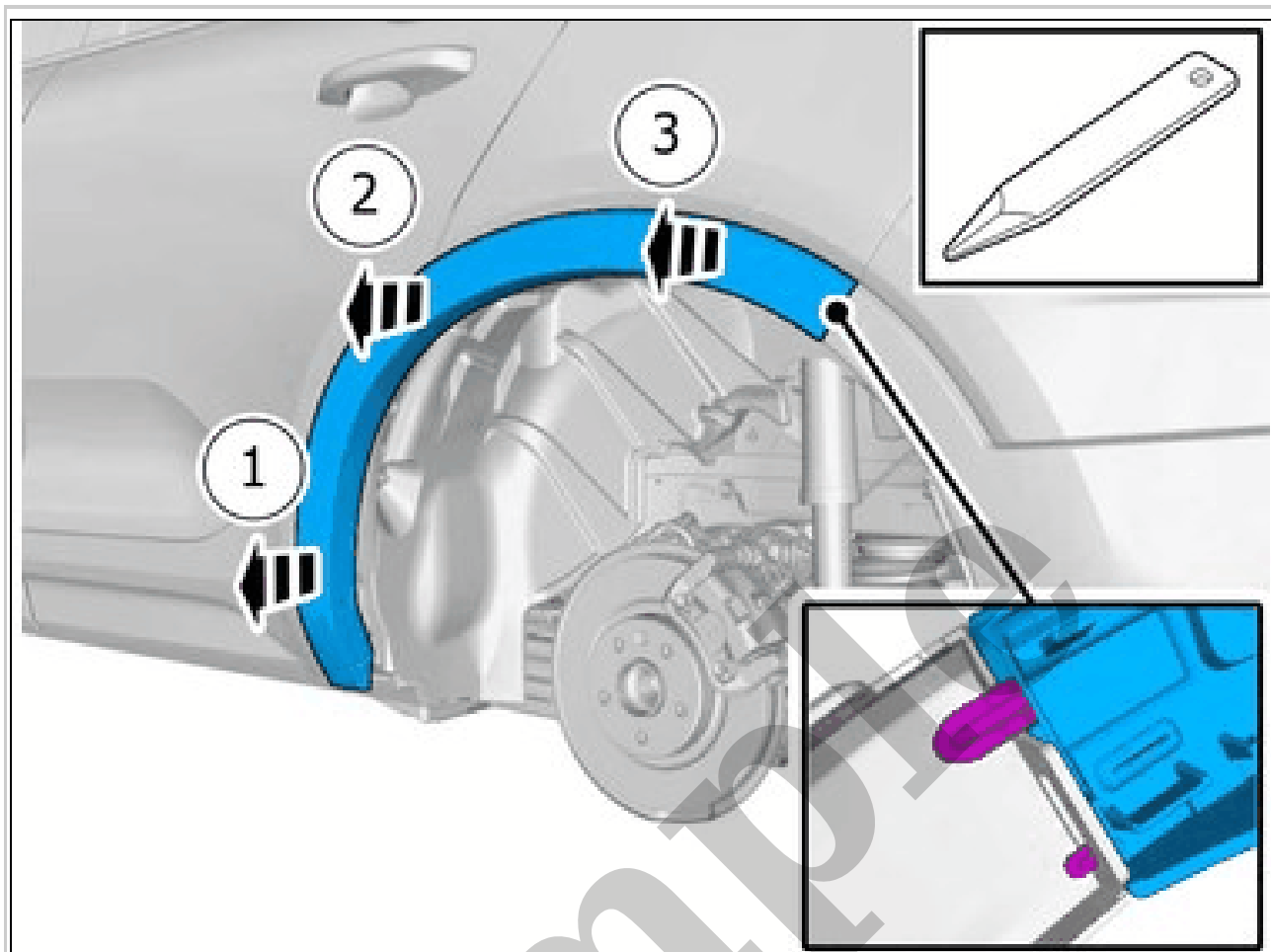
## 2020 Volvo V60 Cross Country Service and Repair Manual

[Go to manual page](#)



Courtesy of VOLVO CARS CORPORATION

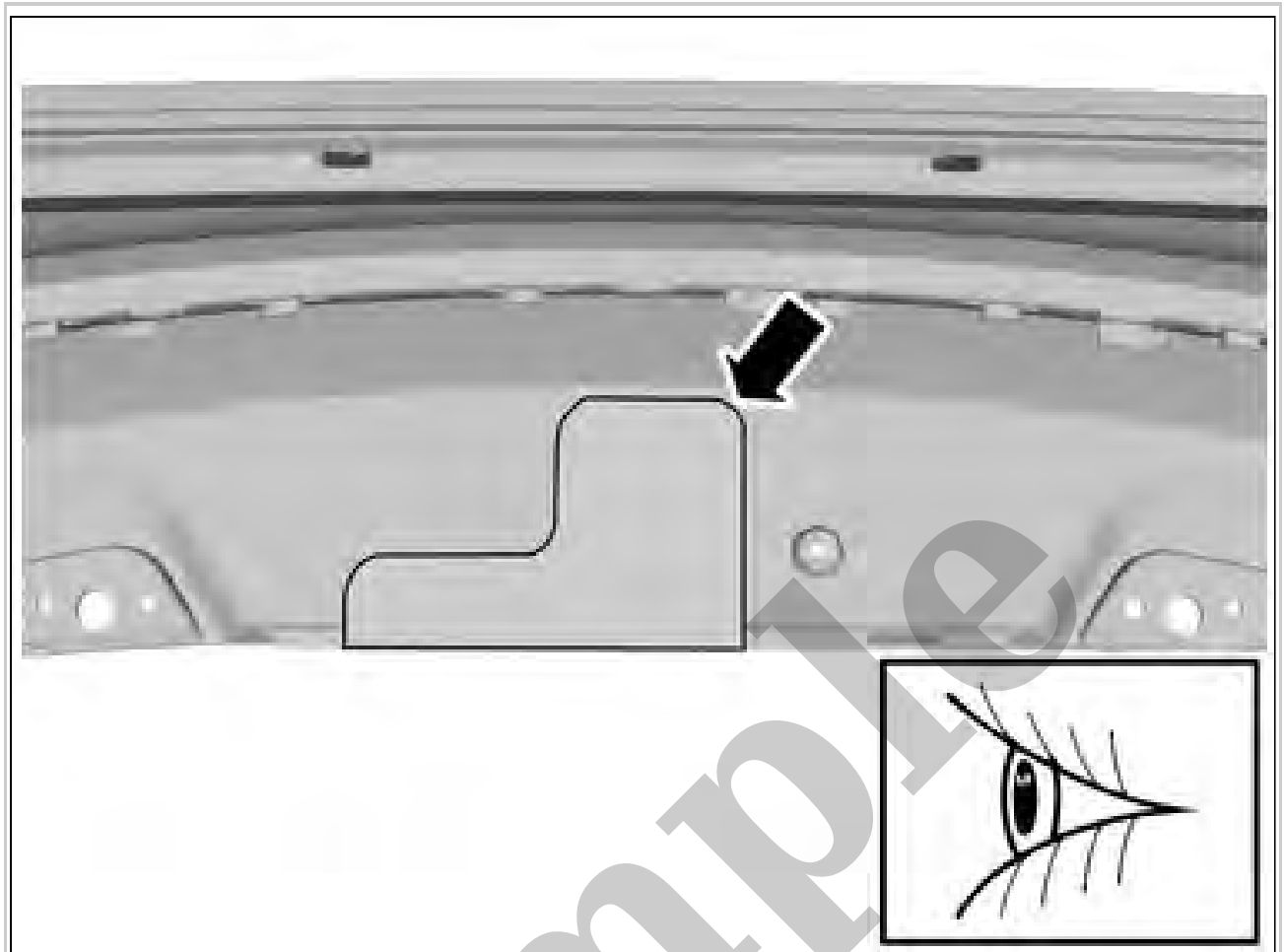
Remove the marked detail/details.



Courtesy of VOLVO CARS CORPORATION

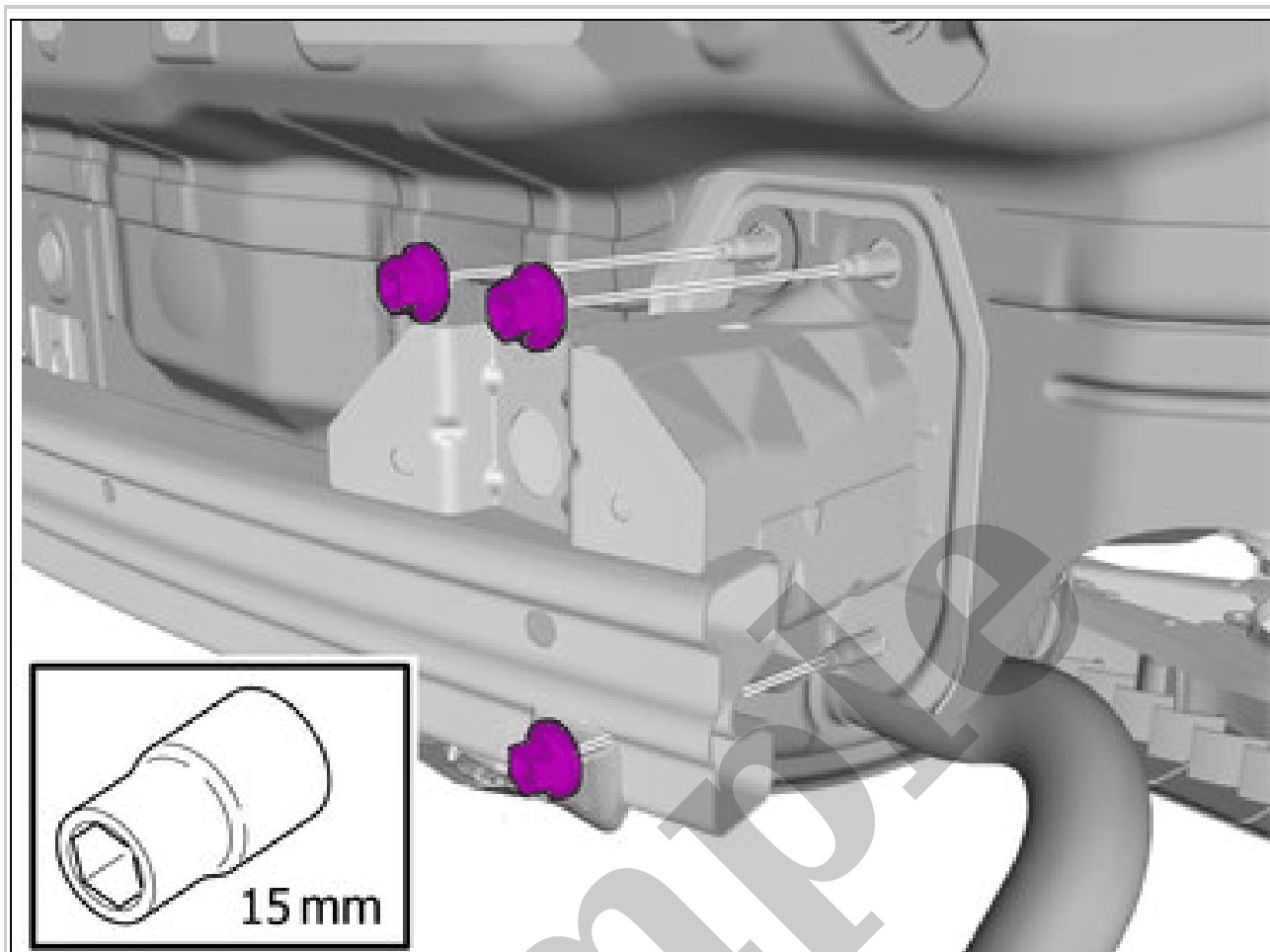
**CAUTION:** Make sure not to damage painted surfaces.

Remove the marked part.  
**Use:** Interior trim remover



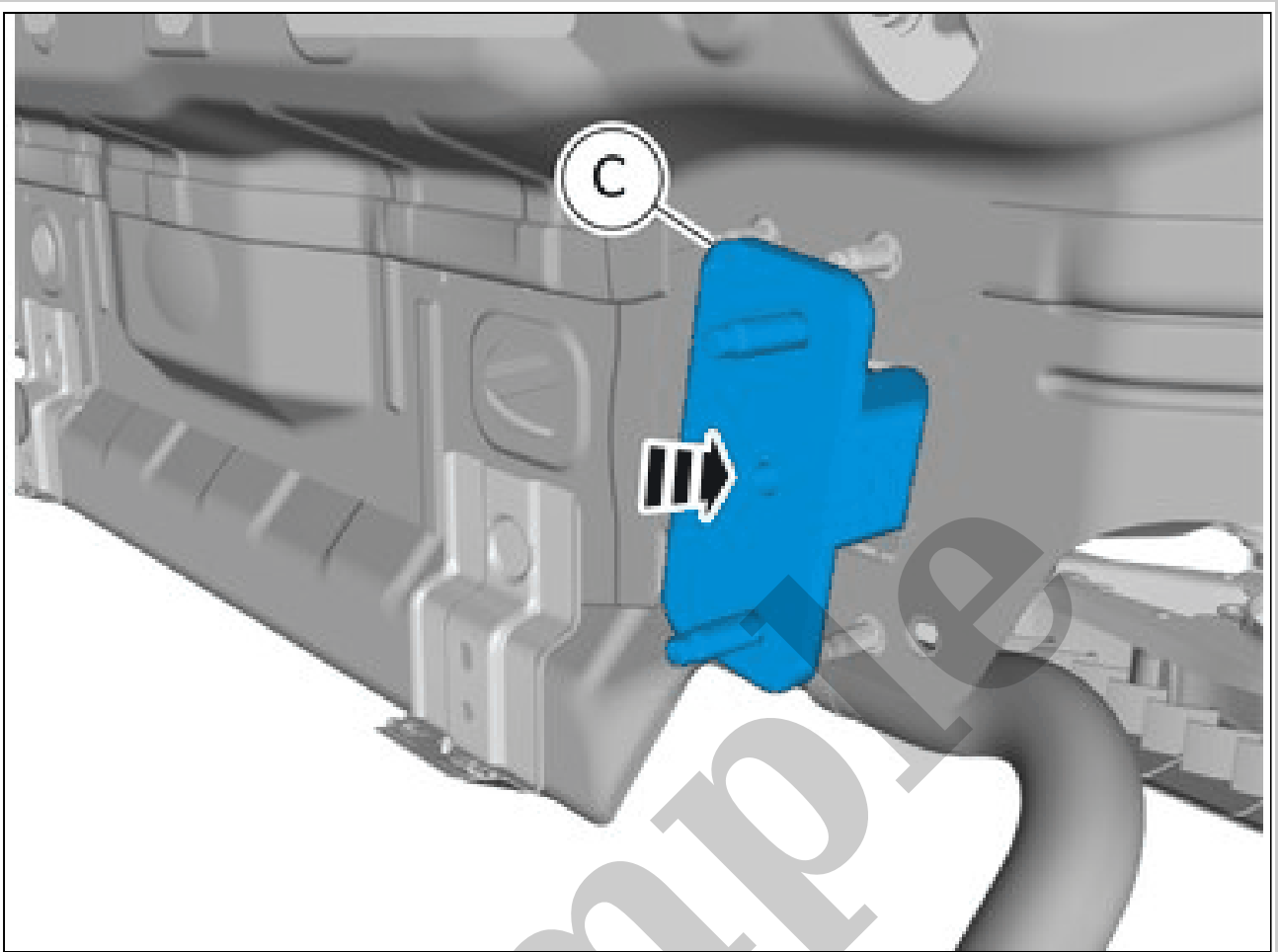
Courtesy of VOLVO CARS CORPORATION

Locate relevant marking.



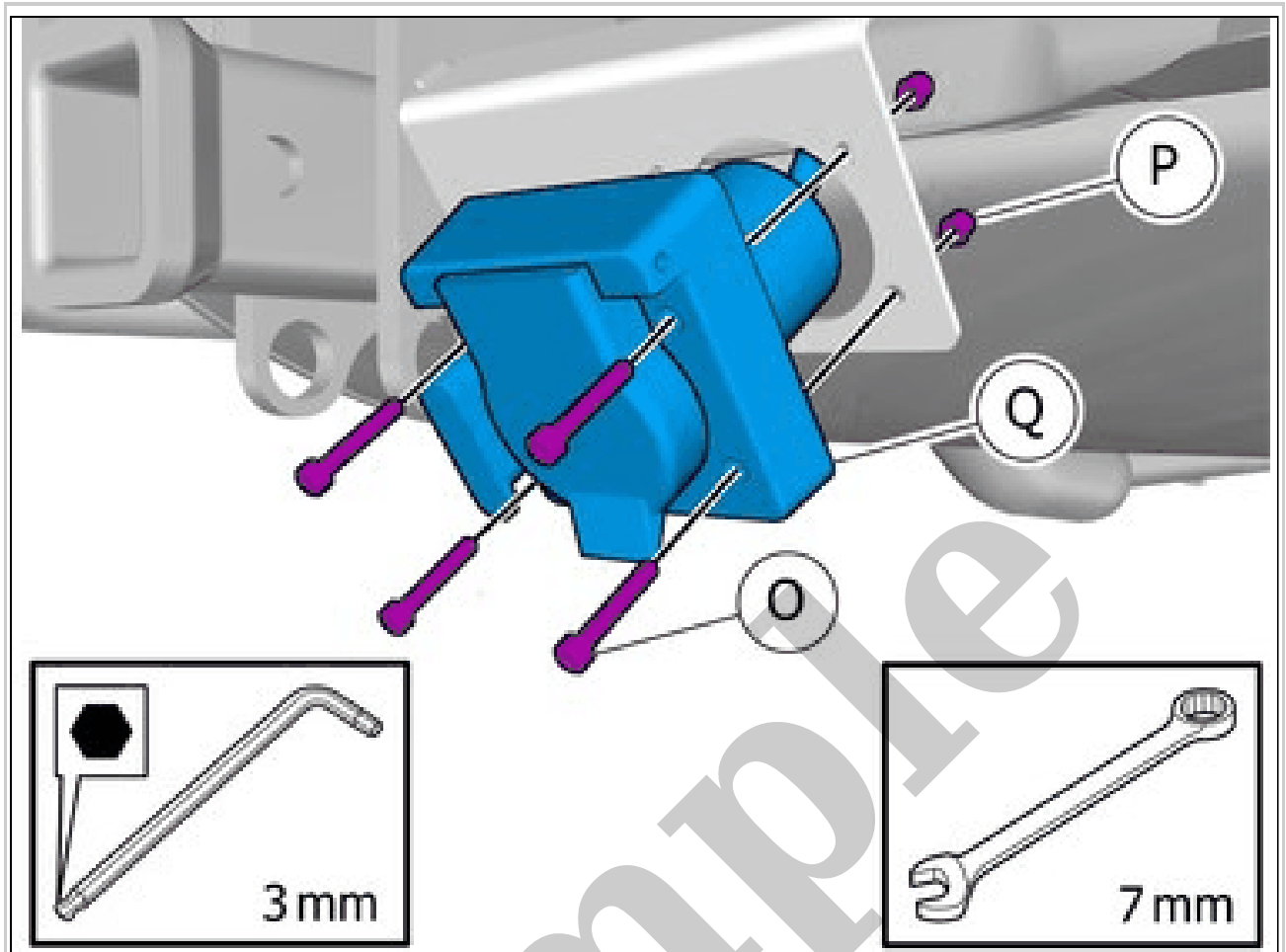
Courtesy of VOLVO CARS CORPORATION

Remove the nuts.  
The part is not to be reused.  
Repeat on the other side.



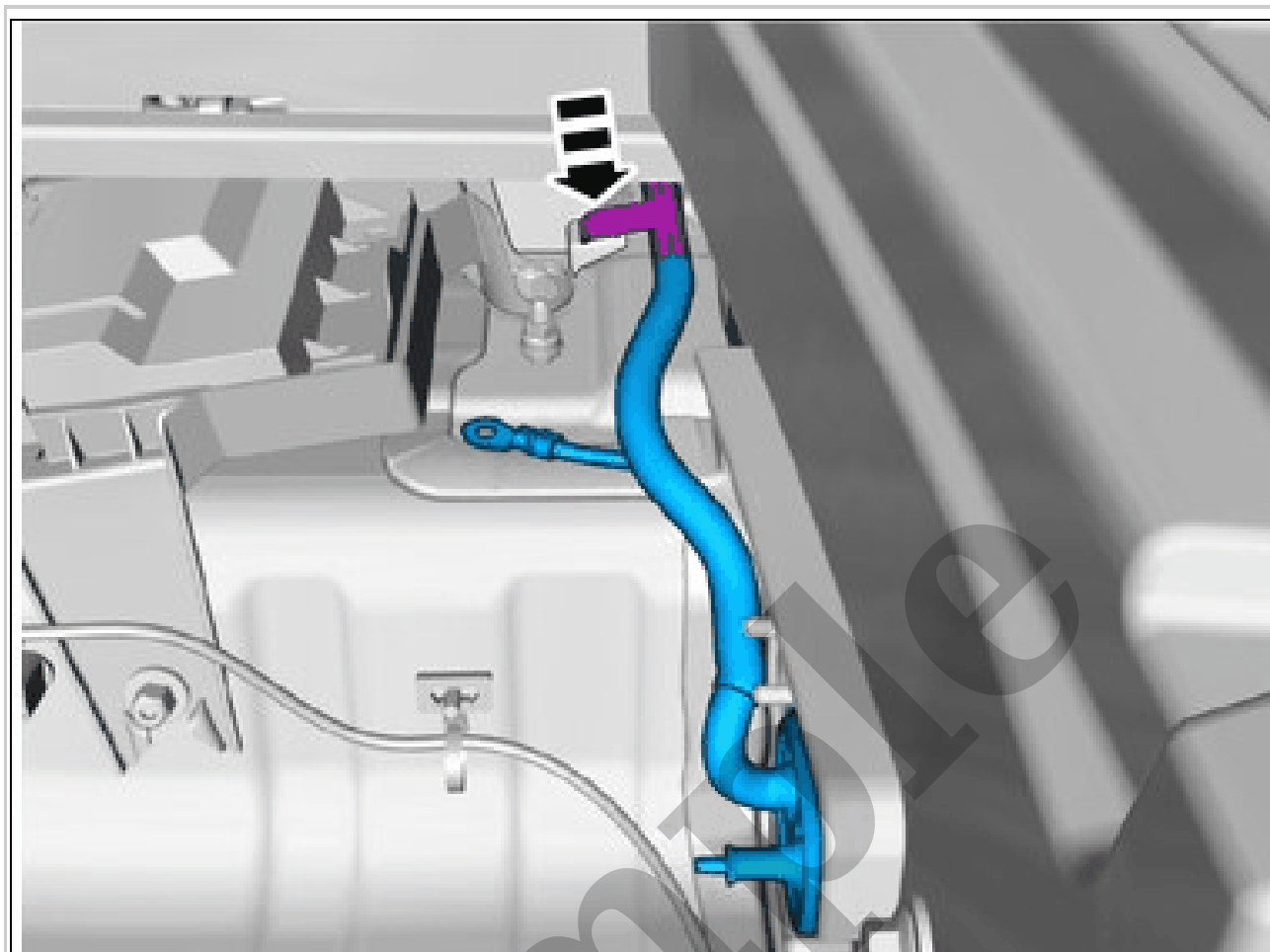
Courtesy of VOLVO CARS CORPORATION

Install component that comes with the accessory kit.



Courtesy of VOLVO CARS CORPORATION

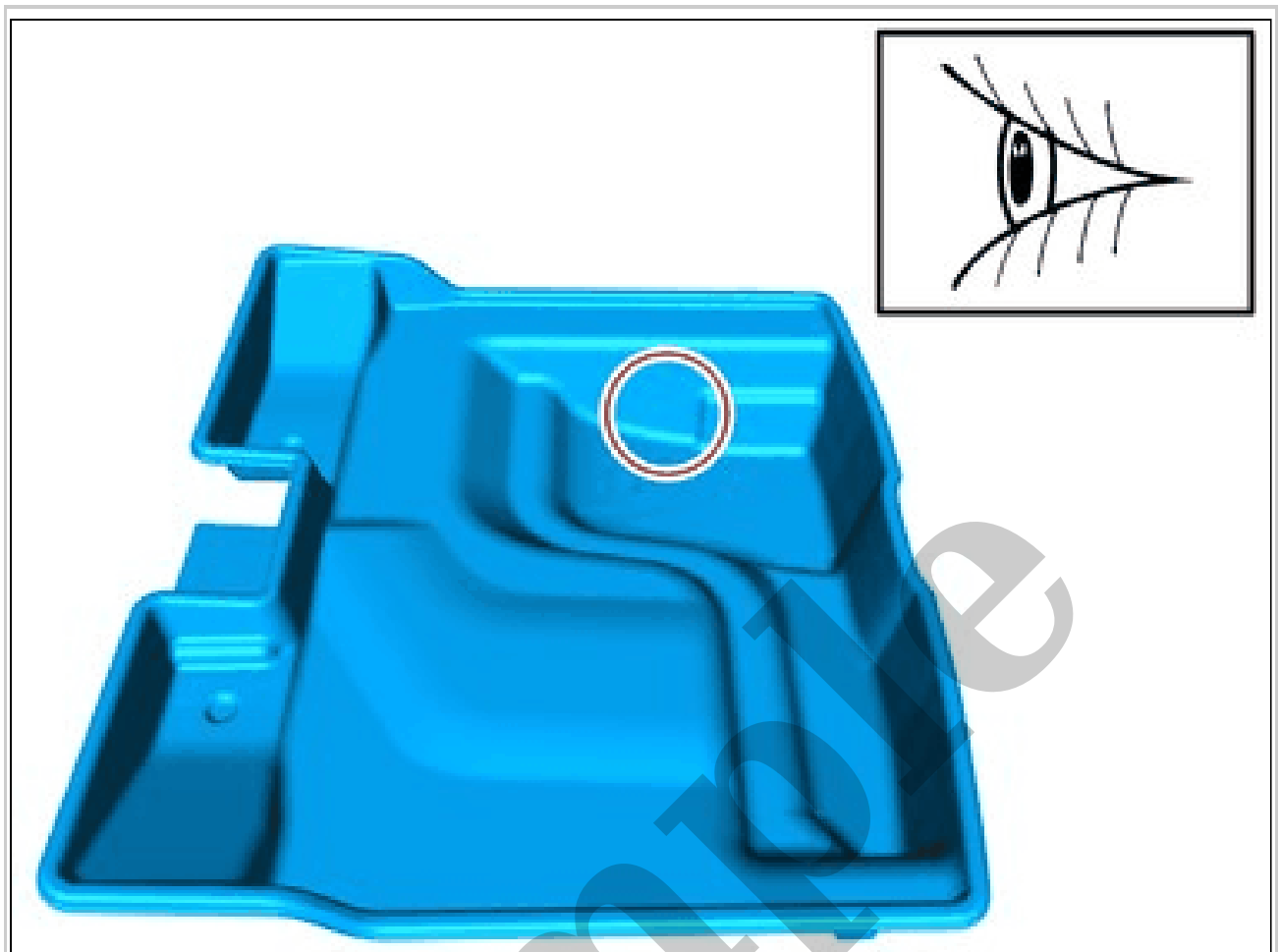
Install component that comes with the accessory kit.  
Use hands only.



Courtesy of VOLVO CARS CORPORATION

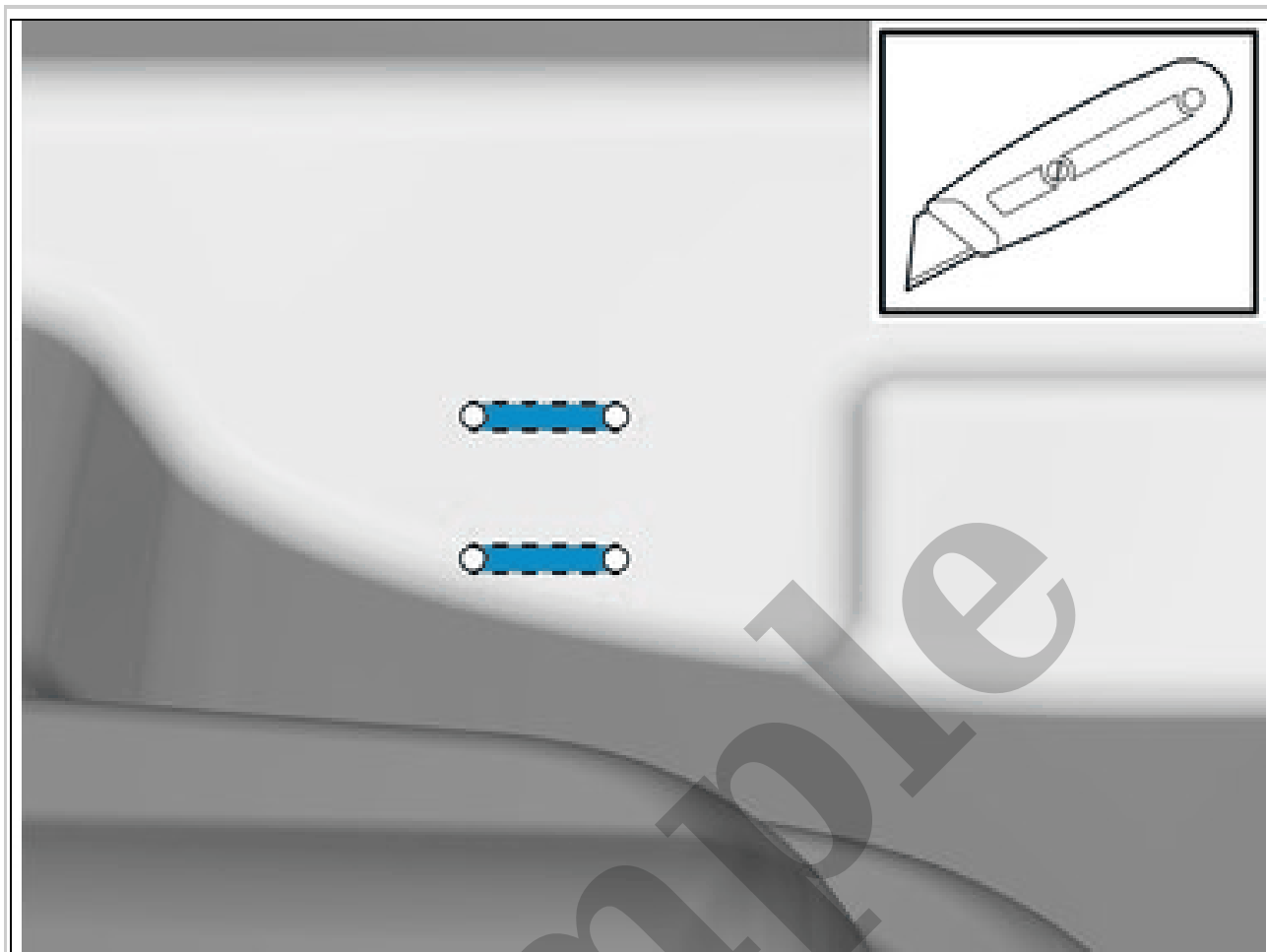
Fasten the wiring harness using the existing clips.





Courtesy of VOLVO CARS CORPORATION

**NOTE:** Orientation view



Courtesy of VOLVO CARS CORPORATION

**CAUTION:** *Cut carefully to avoid unintentional damage or personal injury.*

Remove the marked detail/details.