

Your Ultimate Source for OEM Repair Manuals

FactoryManuals.net is a great resource for anyone who wants to save money on repairs by doing their own work. The manuals provide detailed instructions and diagrams that make it easy to understand how to fix a vehicle.

2020 Volvo S90 Service and Repair Manual

[Go to manual page](#)

VIDA

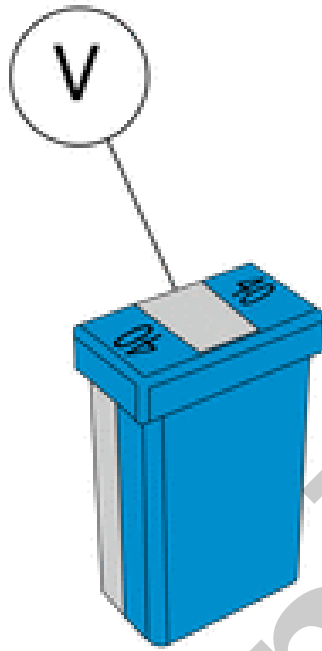
Courtesy of VOLVO CARS CORPORATION

Sample



Courtesy of VOLVO CARS CORPORATION

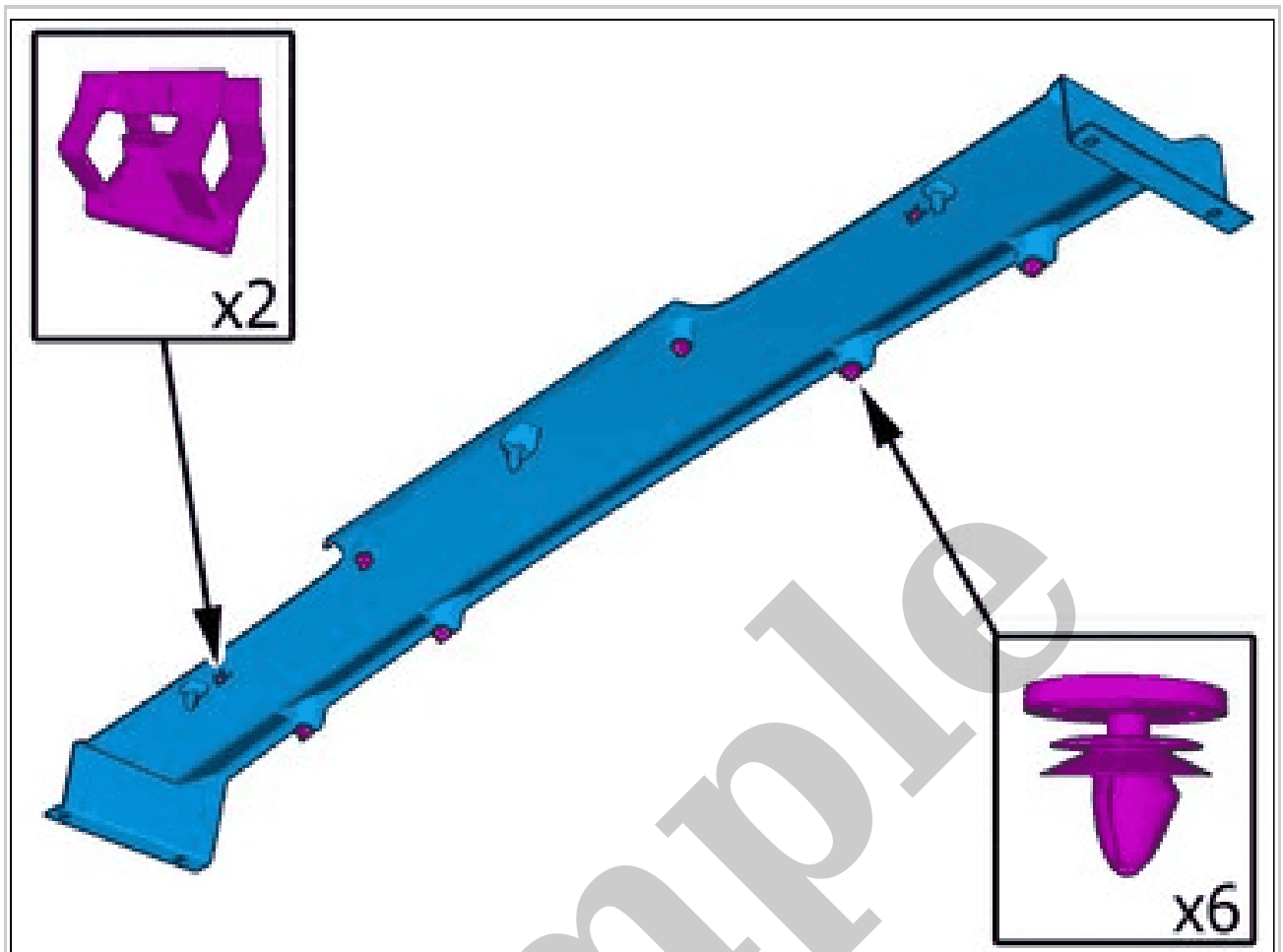
Component overview



Courtesy of VOLVO CARS CORPORATION

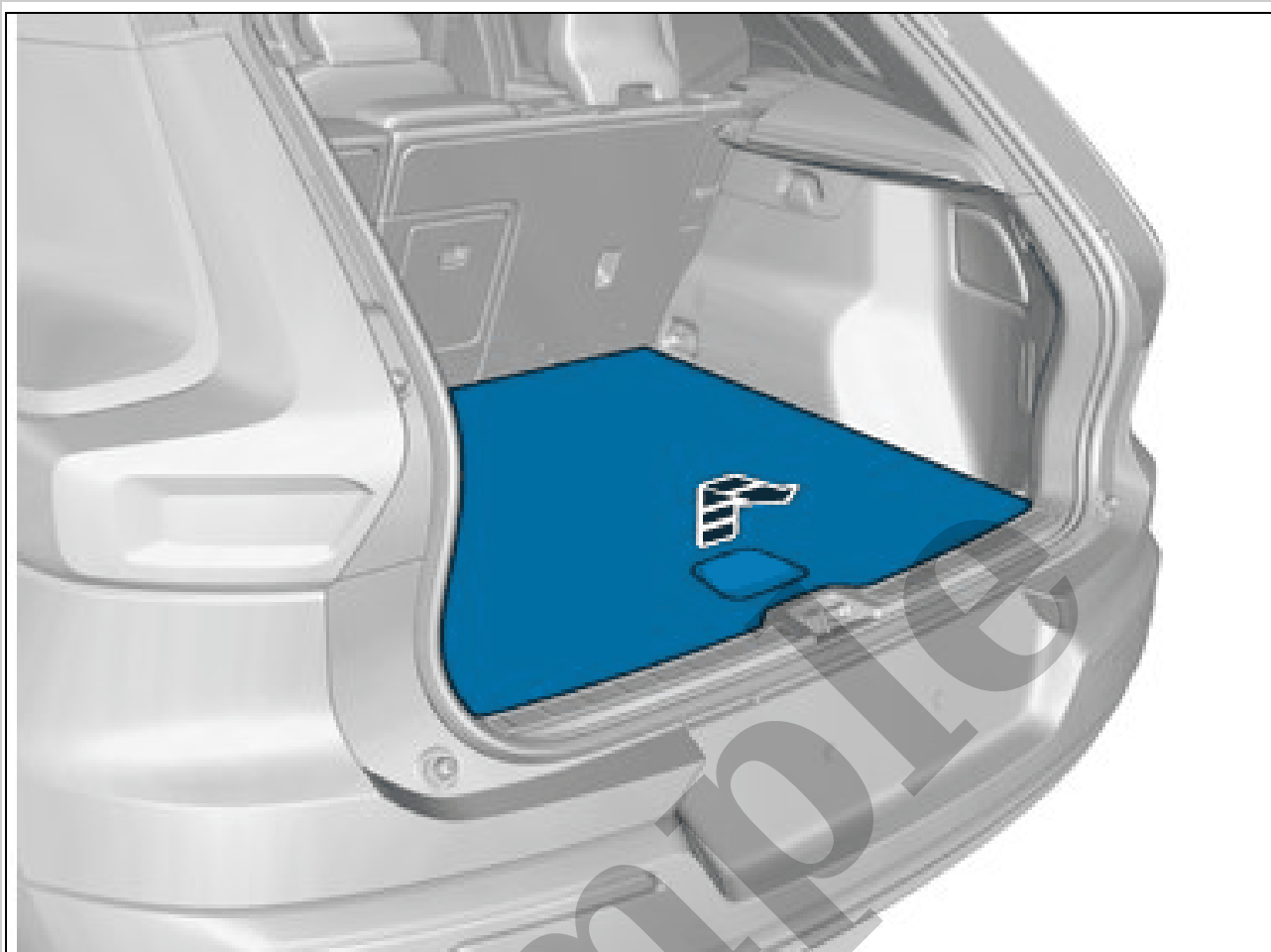
NOTE: *Component/components in the accessory kit are not to be used.*

DISCONNECTING THE BATTERY



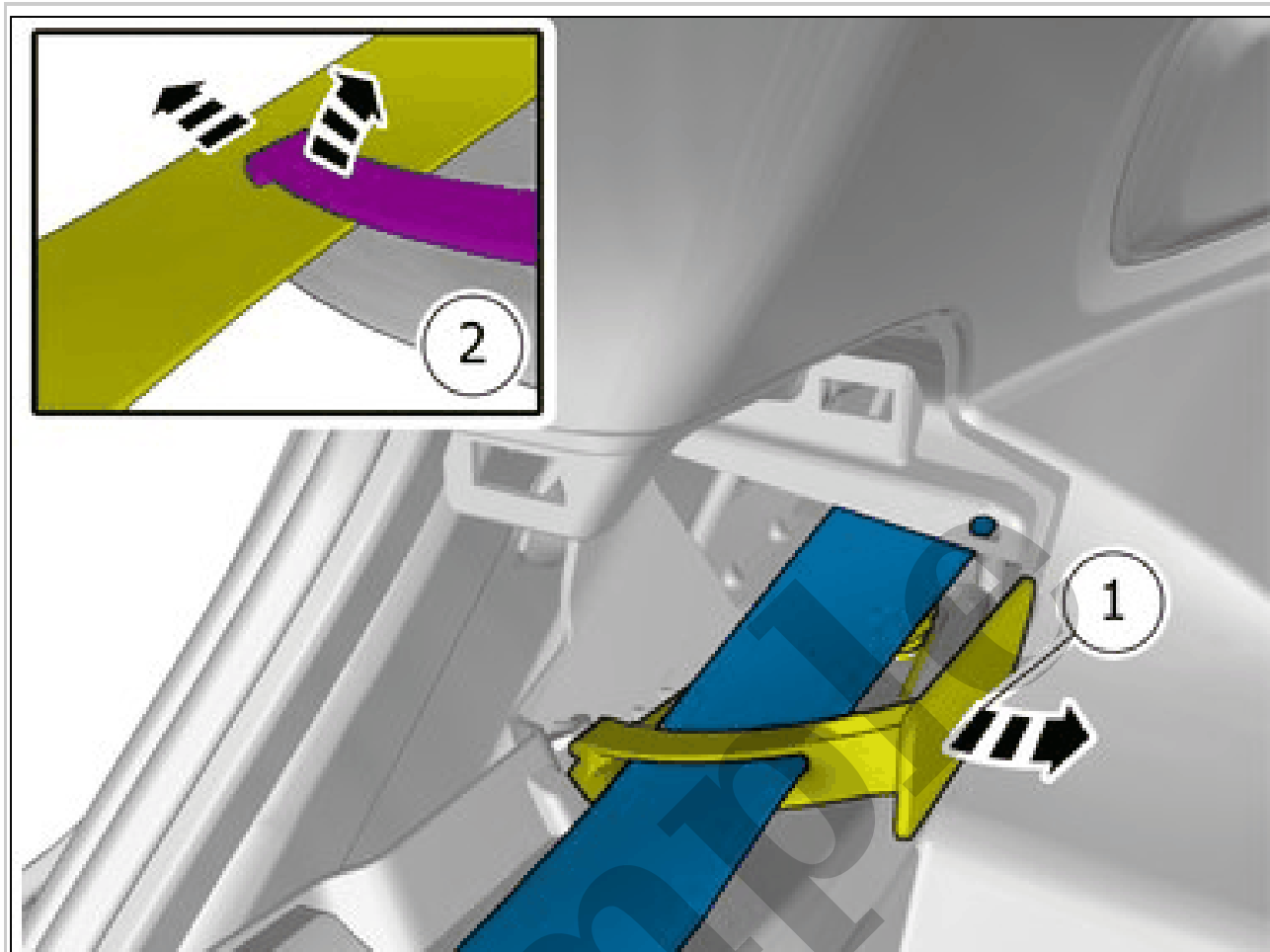
Courtesy of VOLVO CARS CORPORATION

NOTE: Orientation view



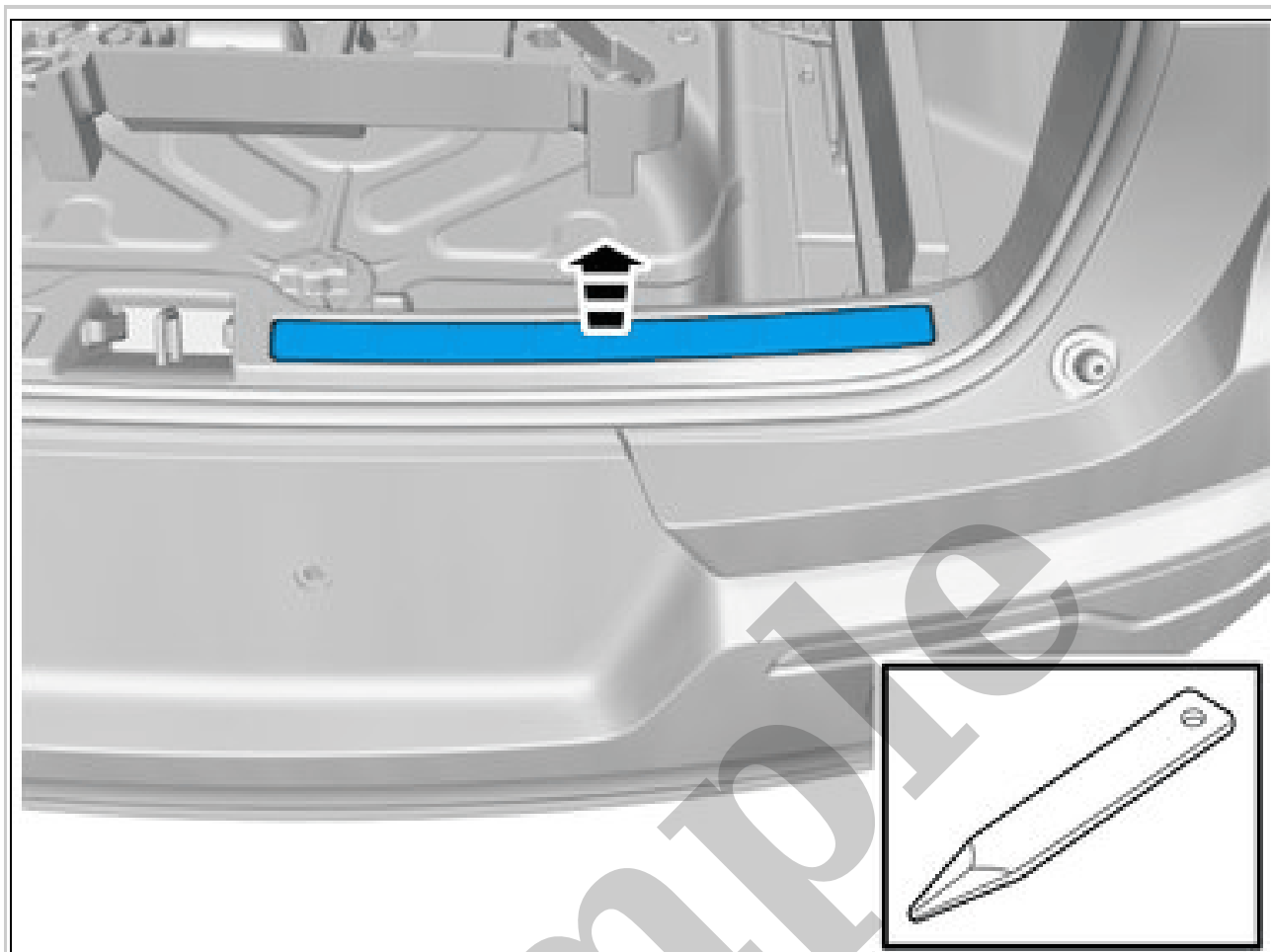
Courtesy of VOLVO CARS CORPORATION

Remove the marked part.



Courtesy of VOLVO CARS CORPORATION

Fold marked part aside.



Courtesy of VOLVO CARS CORPORATION

Remove the marked part.
Use: Interior trim remover

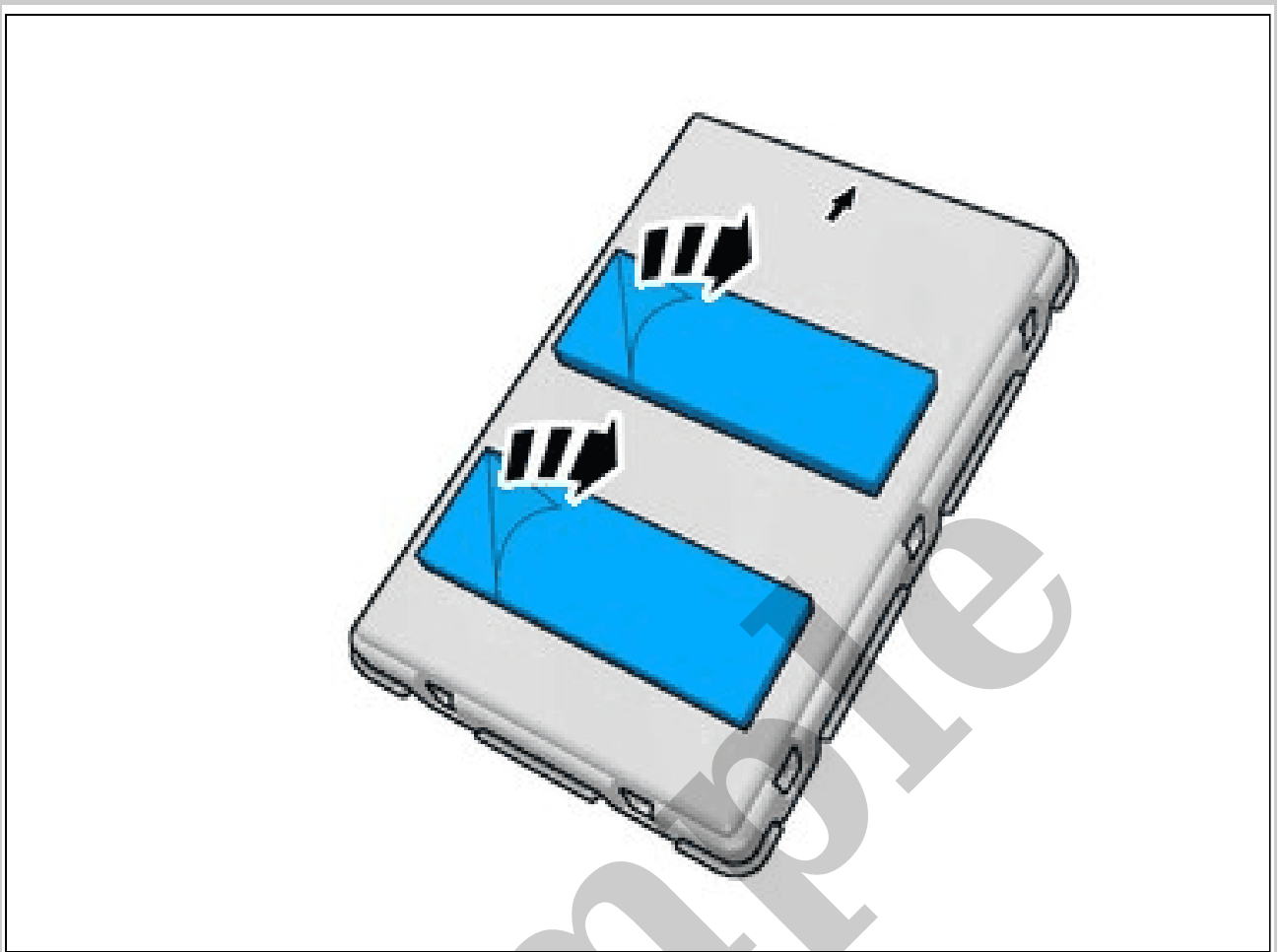


Courtesy of VOLVO CARS CORPORATION

Clean the surface.

Use: Isopropanol, 1161721

Wipe dry.



Courtesy of VOLVO CARS CORPORATION

Remove the protective film.