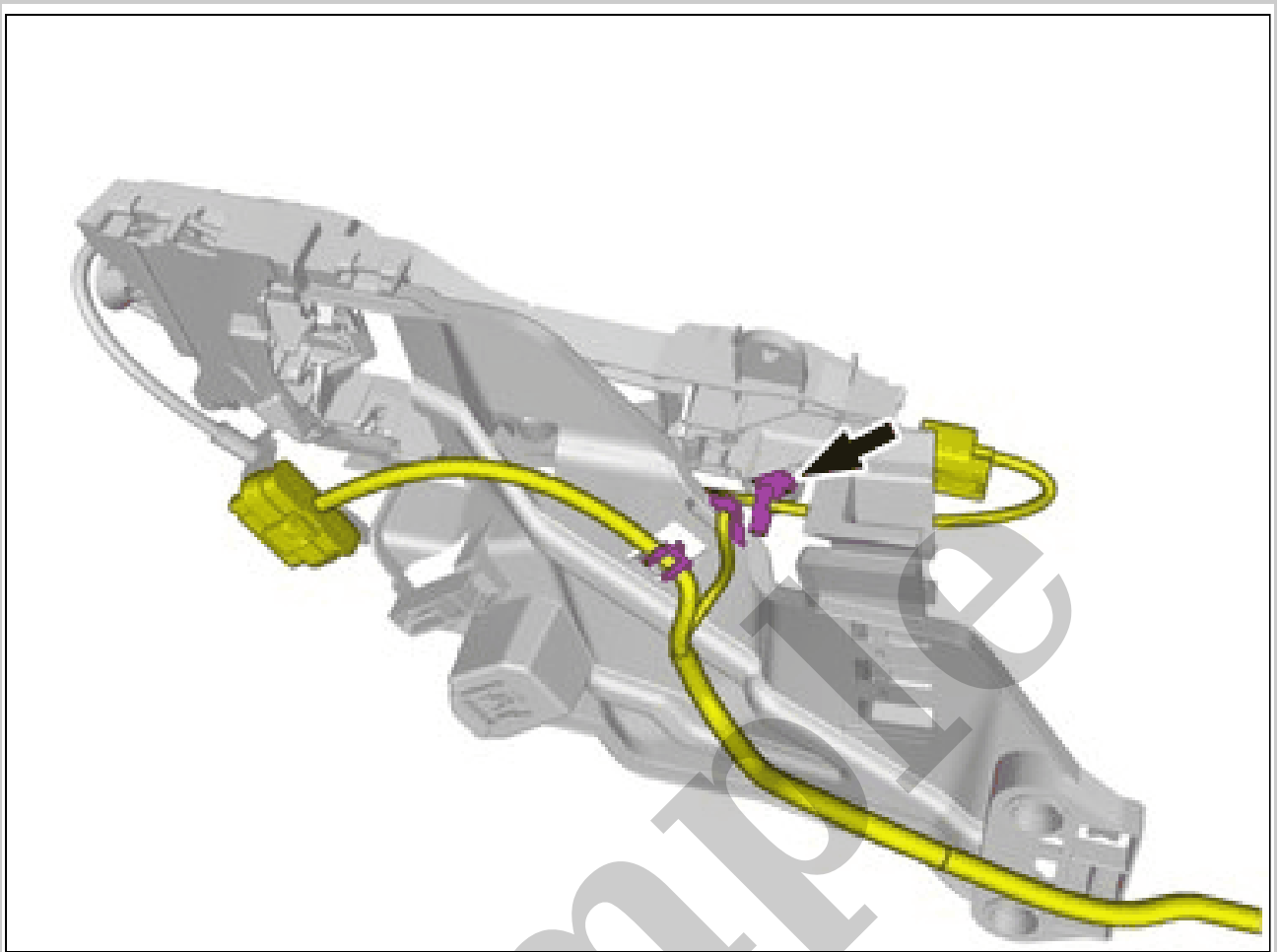


Your Ultimate Source for OEM Repair Manuals

FactoryManuals.net is a great resource for anyone who wants to save money on repairs by doing their own work. The manuals provide detailed instructions and diagrams that make it easy to understand how to fix a vehicle.

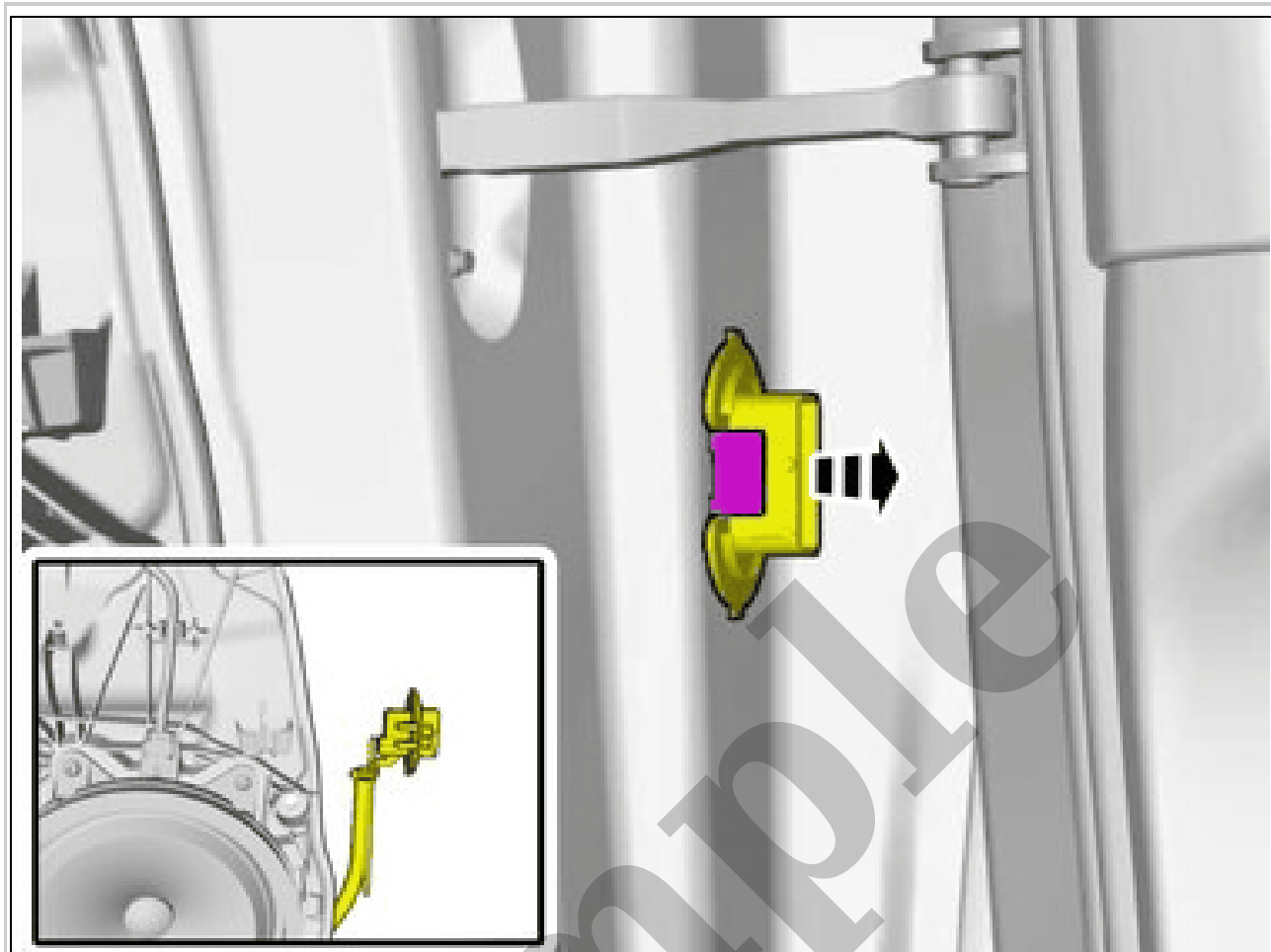
2020 VOLVO S60 OEM Service and Repair Workshop Manual

[Go to manual page](#)



Courtesy of VOLVO CARS CORPORATION

Remove the cable harness clips.



Courtesy of VOLVO CARS CORPORATION

Install the marked component.



Courtesy of VOLVO CARS CORPORATION

EXTENDED ROOF OPENING PANEL CASSETTE > EXTENDED ROOF OPENING PANEL CASSETTE [2018-2022] > REMOVAL

NOTE: *Removal steps in this procedure may contain installation details.*

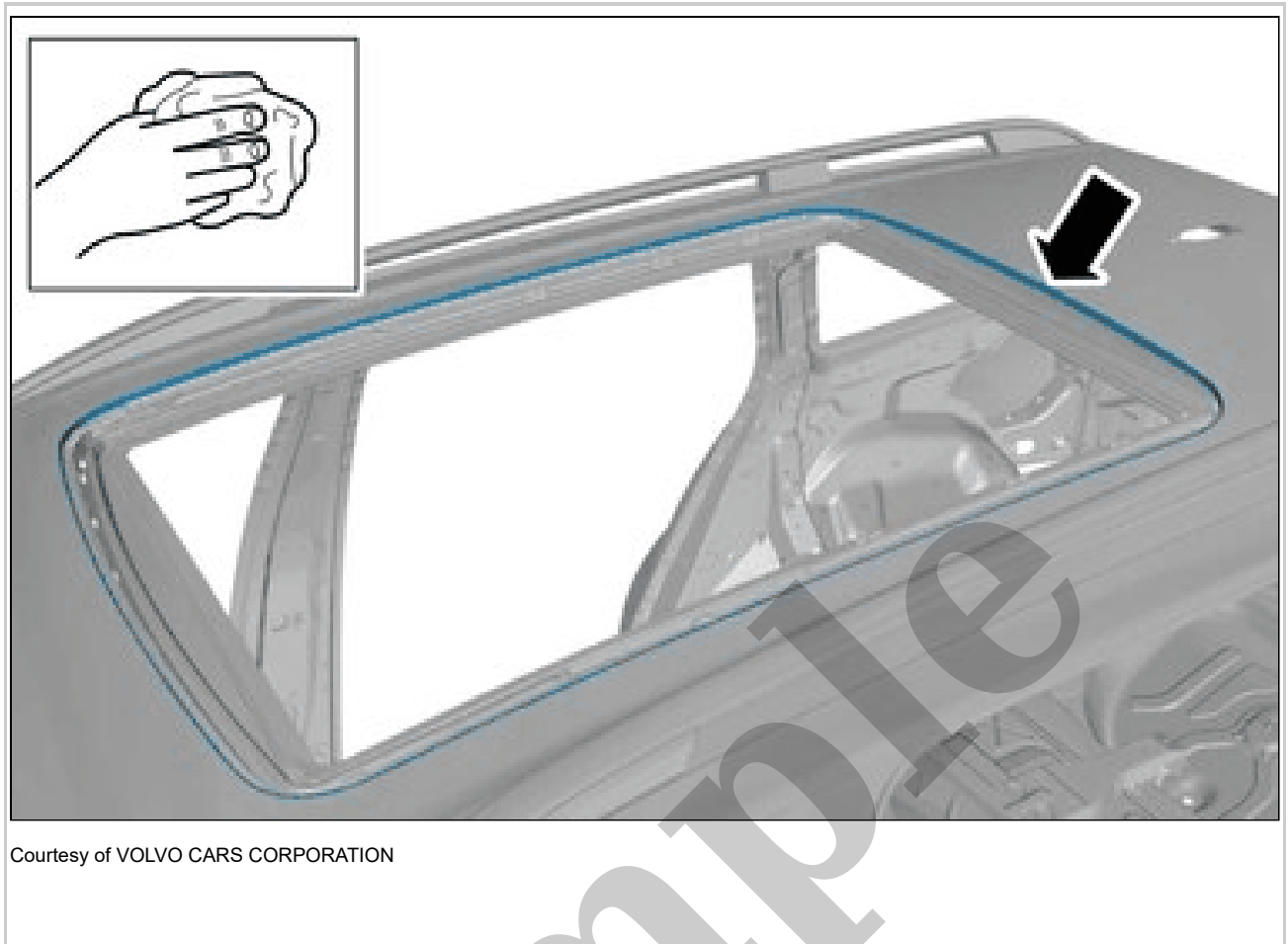
Remove the headlining. Refer to: HEADLINING



Courtesy of VOLVO CARS CORPORATION

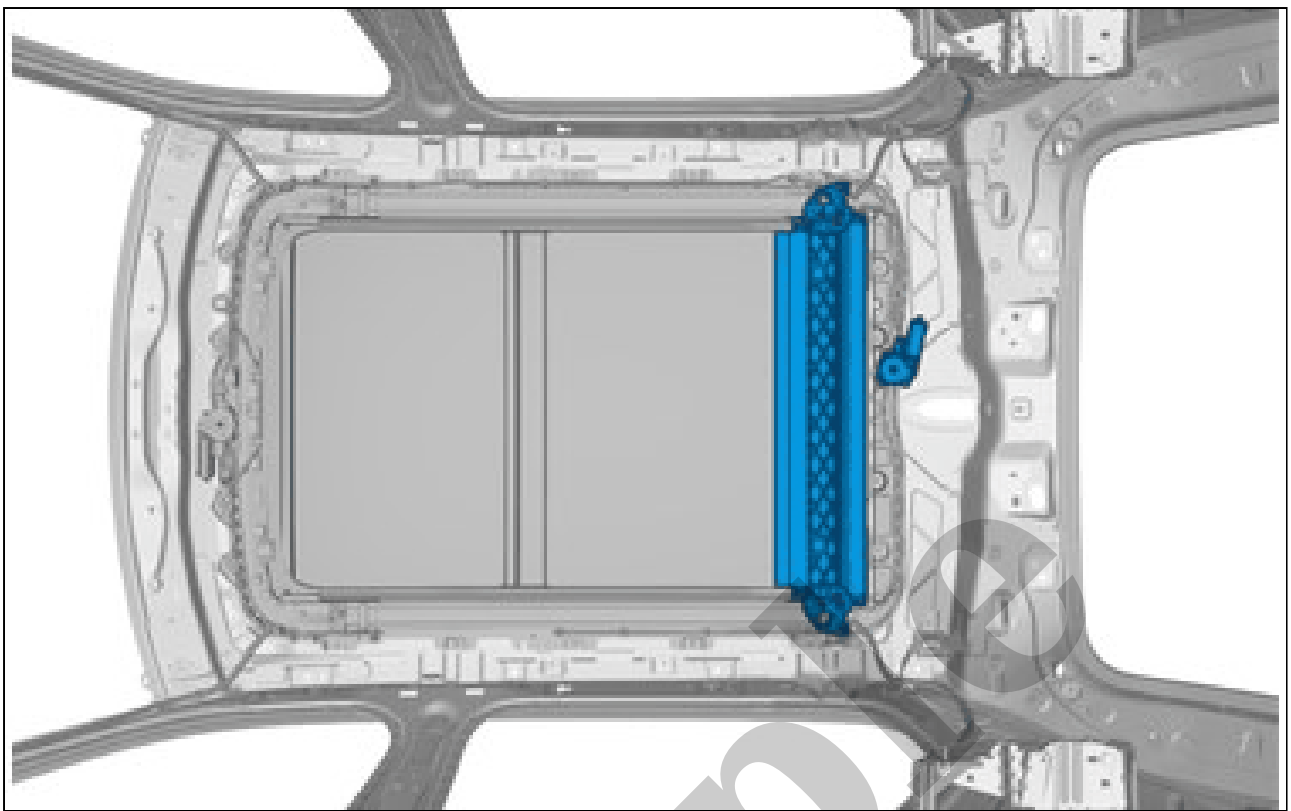
On both sides.

Sample



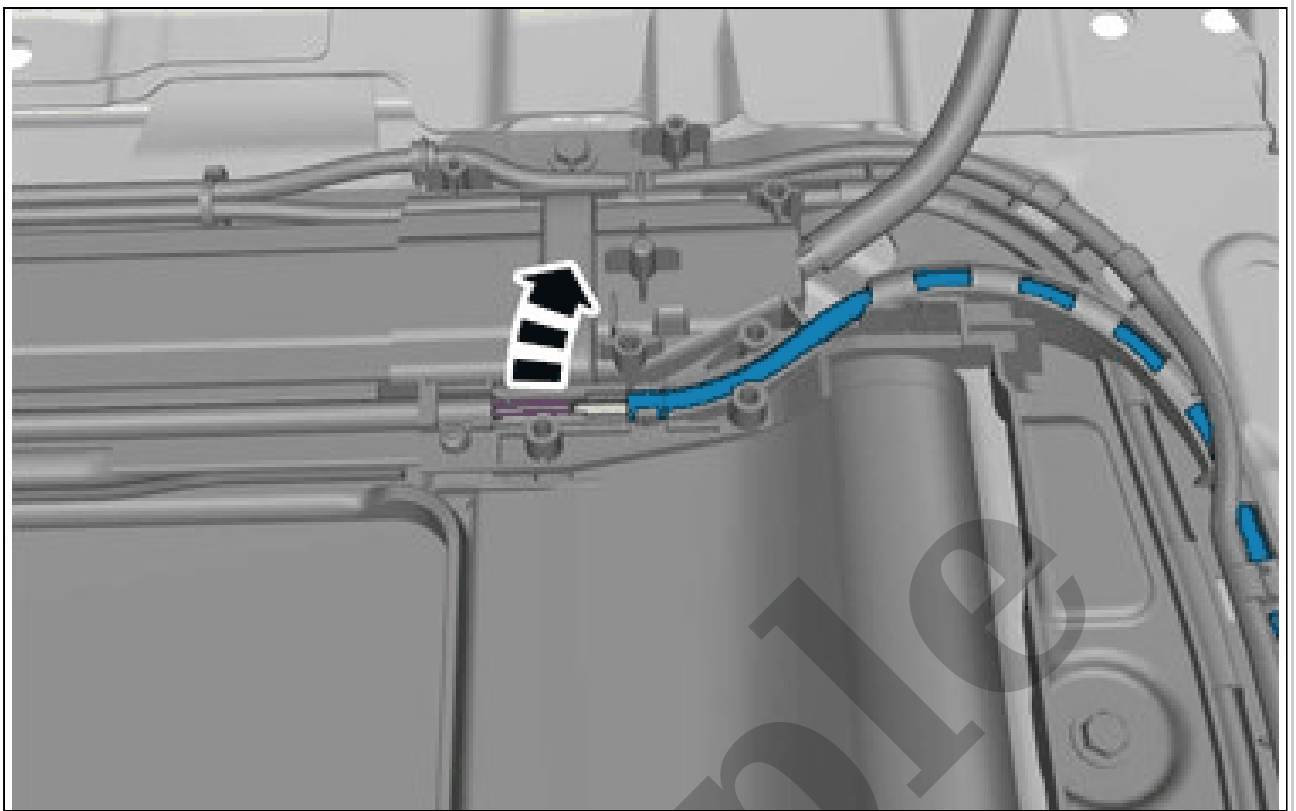
Courtesy of VOLVO CARS CORPORATION

Use: Cleaning agent, 1161721



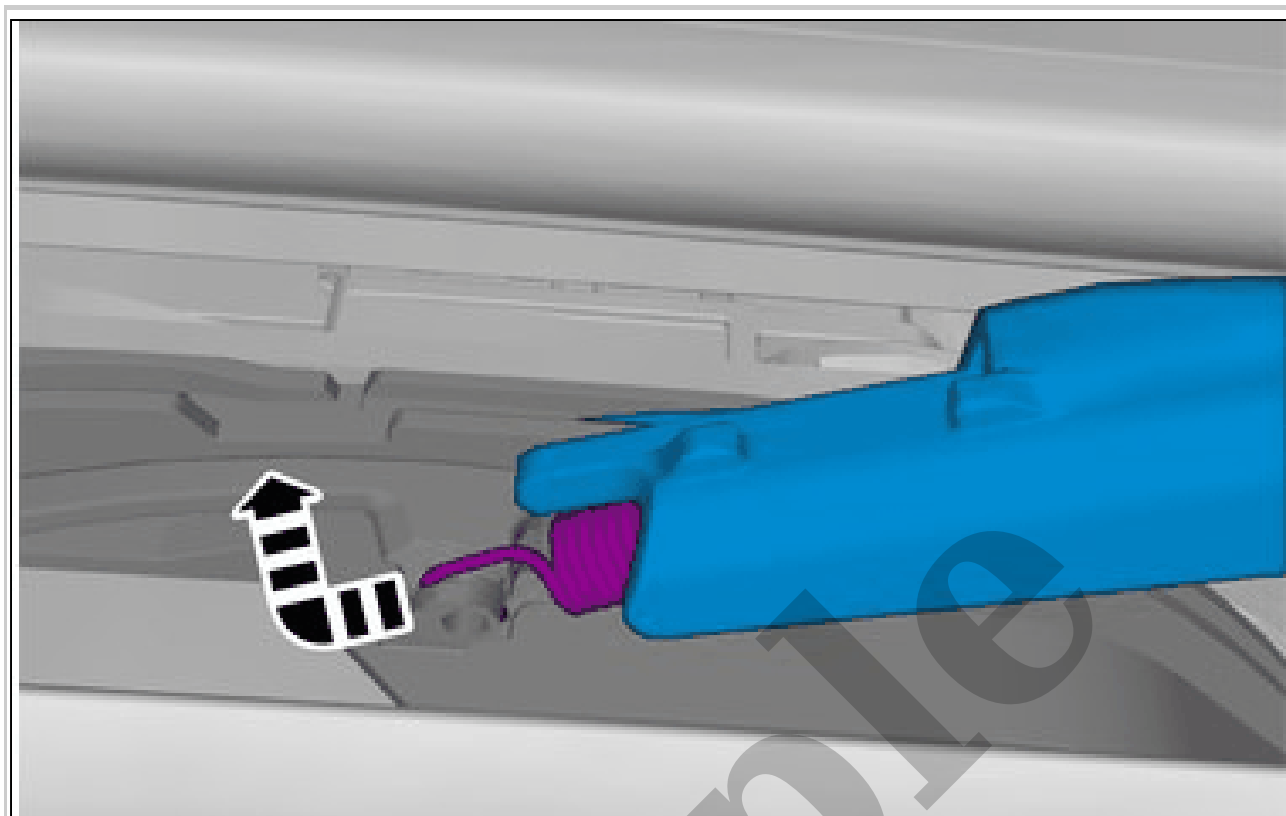
Courtesy of VOLVO CARS CORPORATION

NOTE: *Orientation view*



Courtesy of VOLVO CARS CORPORATION

On both sides.



Courtesy of VOLVO CARS CORPORATION

WIND DEFLECTOR SUNROOF > WIND DEFLECTOR SUNROOF [2018-2022] > INSTALLATION

To install, reverse the removal procedure.



Courtesy of VOLVO CARS CORPORATION