

Your Ultimate Source for OEM Repair Manuals

FactoryManuals.net is a great resource for anyone who wants to save money on repairs by doing their own work. The manuals provide detailed instructions and diagrams that make it easy to understand how to fix a vehicle.

2020 Toyota Prius Prime Service and Repair Manual

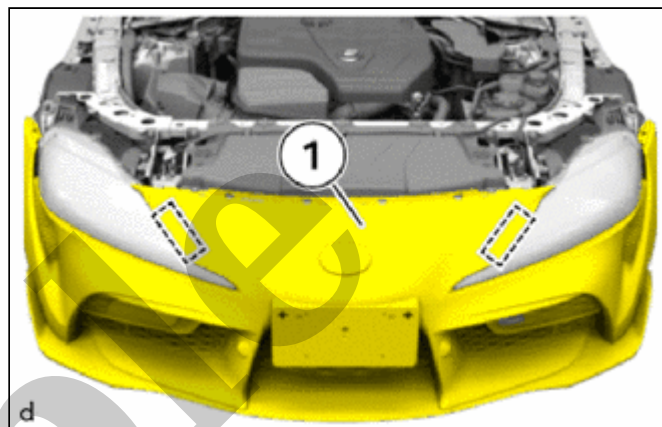
[Go to manual page](#)

INSTALLATION

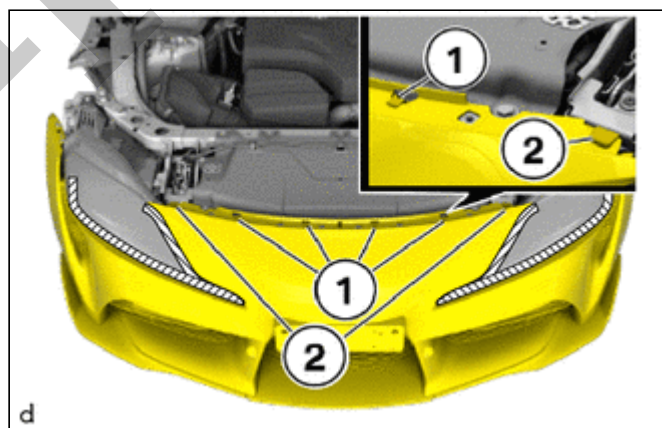
PROCEDURE

1. INSTALL FRONT BUMPER ASSEMBLY

- (a) Engage the fasteners to temporarily install the front bumper assembly (1).



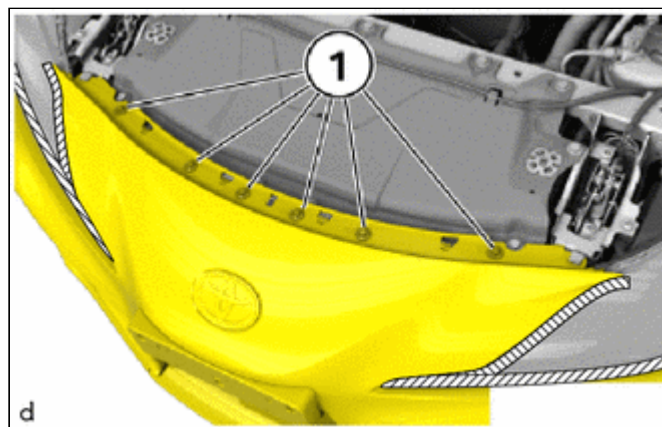
- (b) Engage the guides (2) and clamps (1) to install the front bumper assembly.



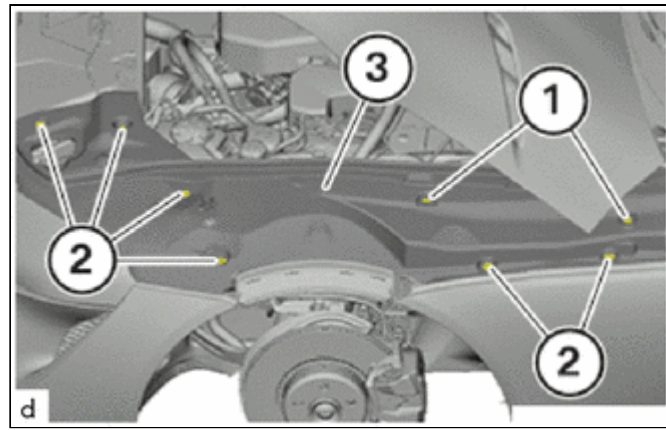
- (c) Install the bolts (1).

Torque:

8.0 N·m {82 kgf·cm, 71 in·lbf}



(a) Install the front fender upper protector LH (3).



(b) Install the clips (1) and clips (2).

3. INSTALL FRONT FENDER UPPER PROTECTOR RH

HINT:

Use the same procedure as for the LH side.

4. INSTALL HOOD TO RADIATOR SUPPORT SEAL

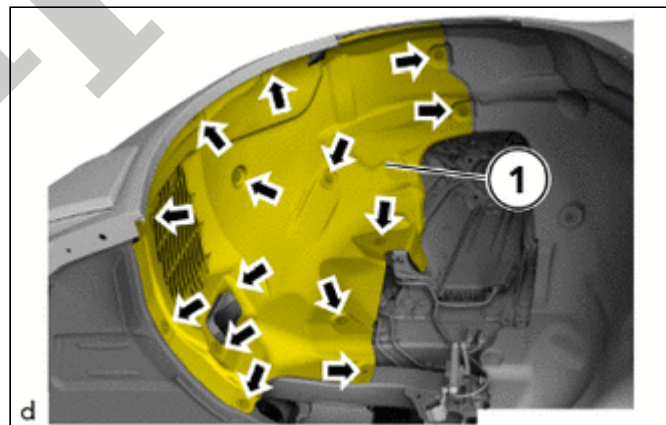
(a) Install the hood to radiator support seal.

5. INSTALL FRONT FENDER LINER LH

(a) Install the front fender liner LH (1) with 13 screws and clip.

Torque:

2.6 N·m {27 kgf·cm, 23 in·lbf}



6. INSTALL FRONT FENDER LINER RH

HINT:

Use the same procedure as for the LH side.

7. CONNECT CABLE TO NEGATIVE BATTERY TERMINAL

- for B46:

Click here [INFO](#)

- for B48:

Click here [INFO](#)

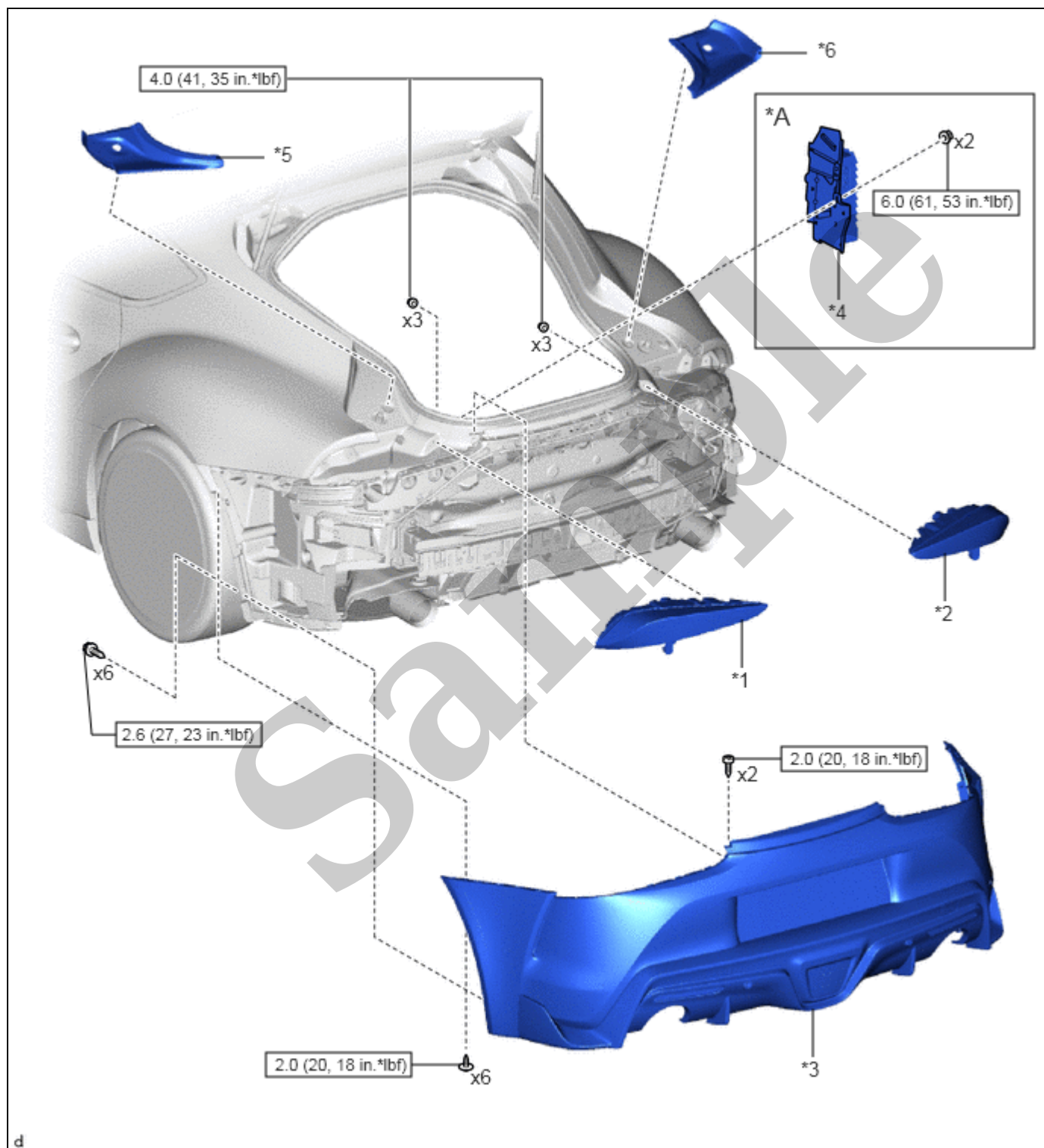
- for B58:

Click here [INFO](#)

8. ADJUST HEADLIGHT AIMING

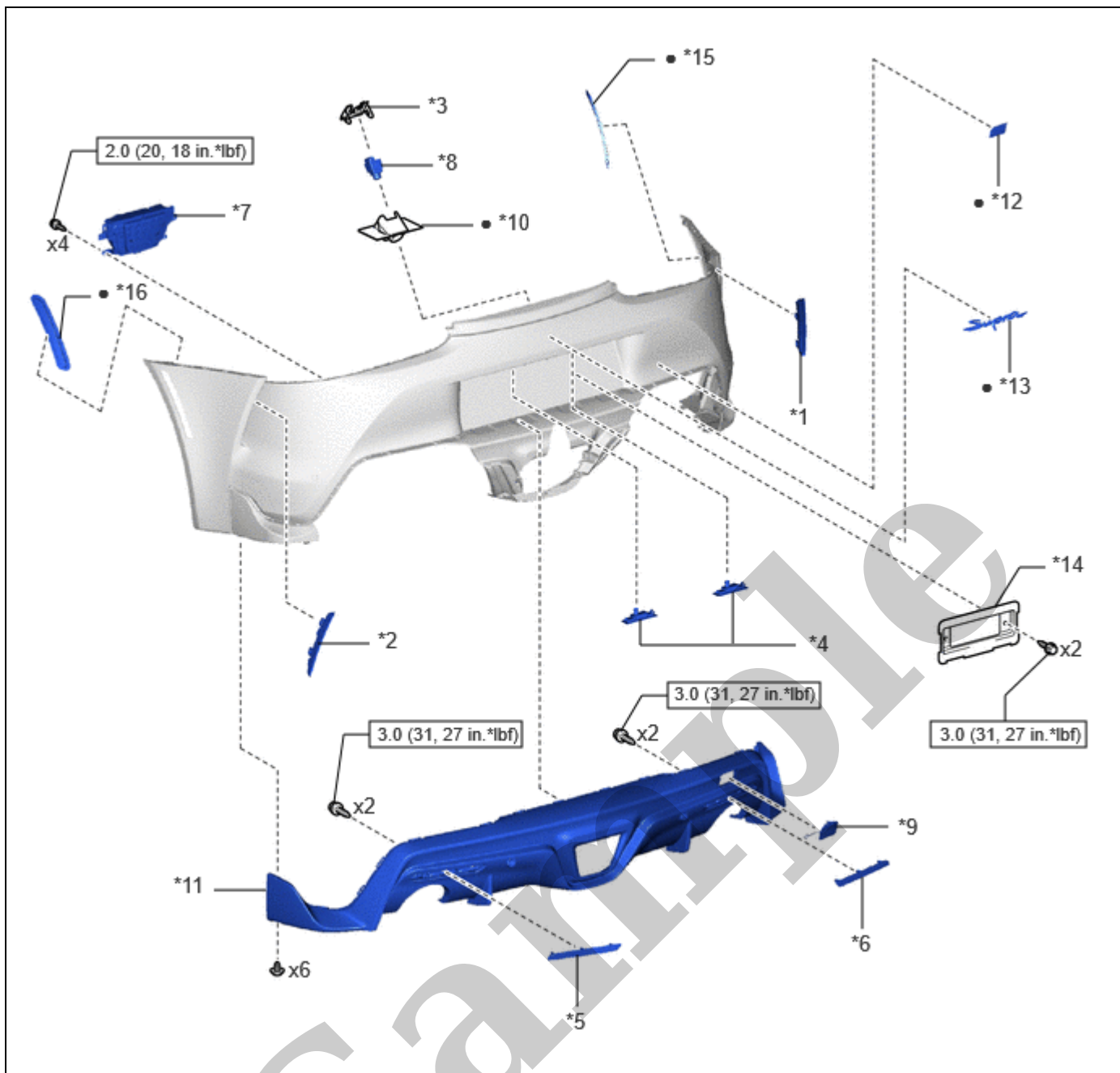
COMPONENTS

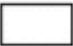
ILLUSTRATION



d

*A	w/ Stereo Component Amplifier	-	-
*1	REAR COMBINATION LIGHT ASSEMBLY LH	*2	REAR COMBINATION LIGHT ASSEMBLY RH
*3	REAR BUMPER ASSEMBLY	*4	STEREO COMPONENT AMPLIFIER ASSEMBLY WITH BRACKET



*1	AIR INLET TRIM STRIP RH	*2	AIR INLET TRIM STRIP LH
*3	HOLDER	*4	LICENSE PLATE LIGHT ASSEMBLY
*5	REFLEX REFLECTOR ASSEMBLY LH	*6	REFLEX REFLECTOR ASSEMBLY RH
*7	BACK-UP LIGHT ASSEMBLY	*8	TELEVISION CAMERA ASSEMBLY
*9	REAR BUMPER PLATE RH	*10	BRACKET FOR REAR VIEW CAMERA
*11	REAR BUMPER COVER LOWER SECTION	*12	SYMBOL EMBLEM
*13	NAME PLATE	*14	REAR REGISTRATION PLATE
*15	REFLECTOR RH	*16	REFLECTOR LH
	N*m (kgf*cm, ft.*lbf): Specified torque	•	Non-reusable part

ILLUSTRATION