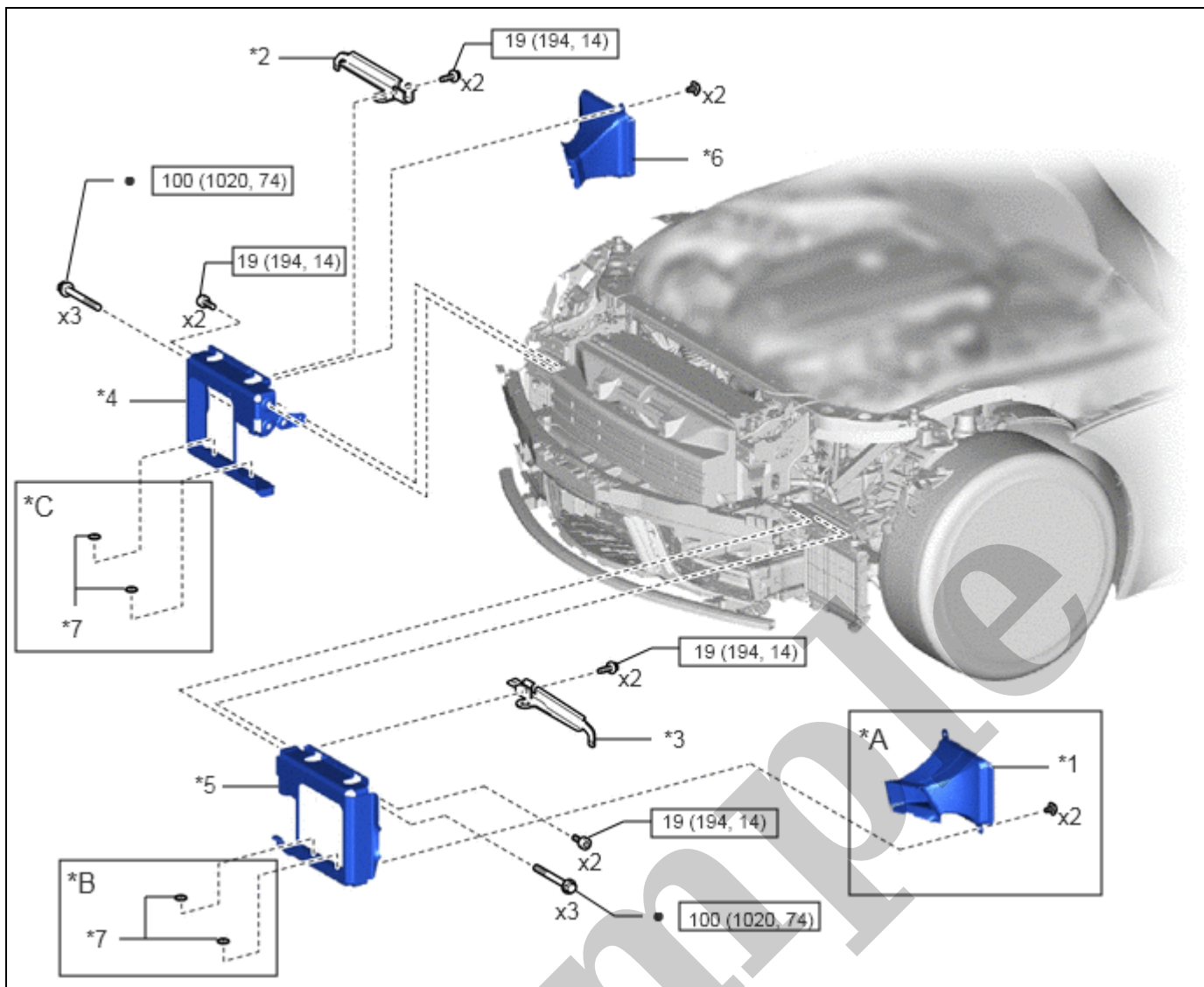


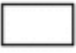
Your Ultimate Source for OEM Repair Manuals

FactoryManuals.net is a great resource for anyone who wants to save money on repairs by doing their own work. The manuals provide detailed instructions and diagrams that make it easy to understand how to fix a vehicle.

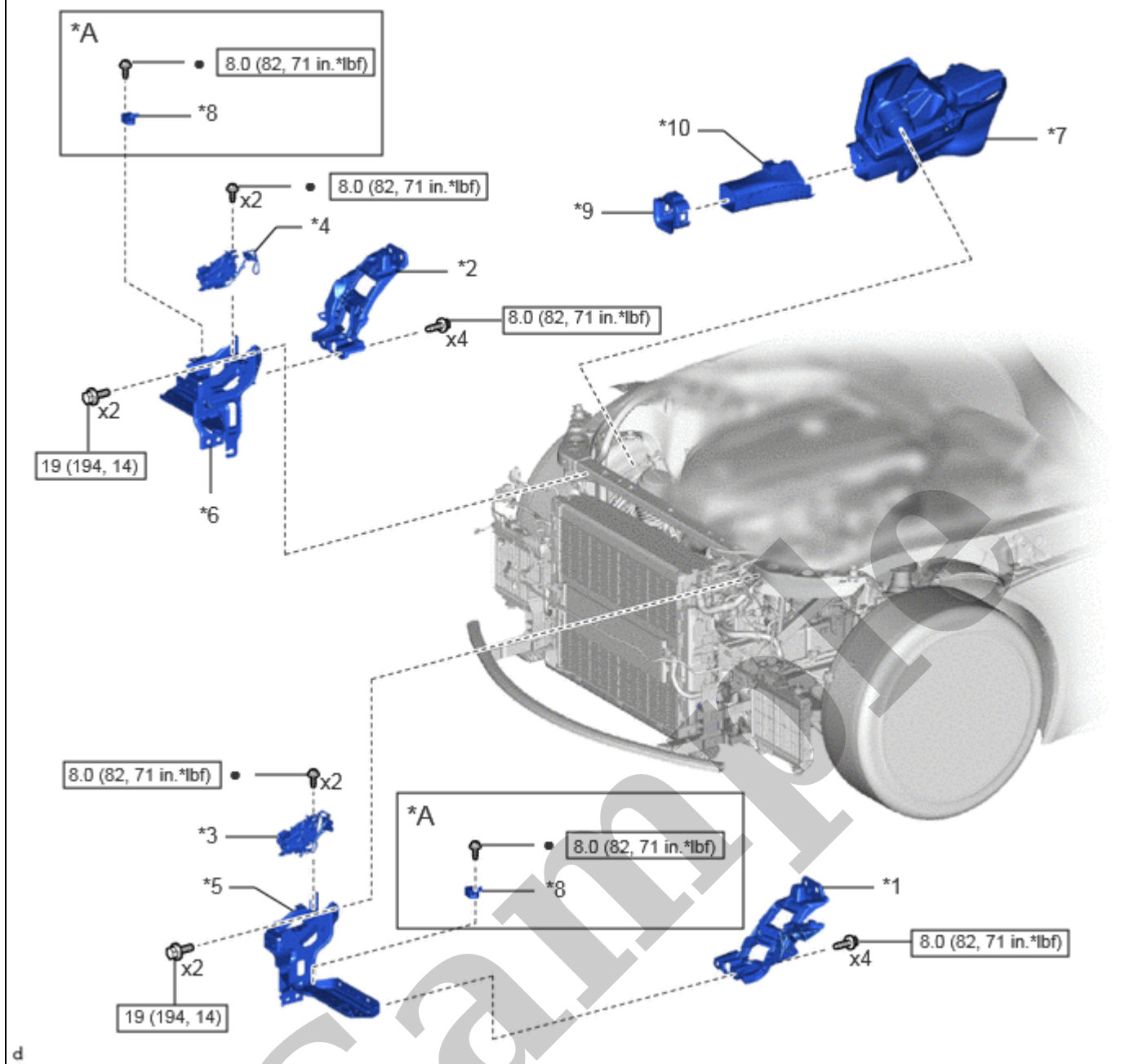
2020 Toyota Fortuner Service Manual


[Go to manual page](#)



*A	for B58	*B	for LH SIDE
*C	for RH SIDE	-	-
*1	SUB RADIATOR AIR DUCT LH	*2	FRONT BUMPER REINFORCEMENT SUPPORT RH
*3	FRONT BUMPER REINFORCEMENT SUPPORT LH	*4	FRONT BUMPER REINFORCEMENT SUB-ASSEMBLY RH
*5	FRONT BUMPER REINFORCEMENT SUB-ASSEMBLY LH	*6	SUB RADIATOR AIR DUCT RH
*7	SUB RADIATOR SUPPORT	-	-
	N*m (kgf*cm, ft.*lbf): Specified torque	•	Non-reusable part

ILLUSTRATION



*A	w/ Airbag Sensor	-	-
*1	FRONT BUMPER RETAINER LH	*2	FRONT BUMPER RETAINER RH
*3	ENGINE HOOD COURTESY SWITCH (HOOD LOCK ASSEMBLY)	*4	HOOD LOCK ASSEMBLY
*5	RADIATOR SUPPORT LH	*6	RADIATOR SUPPORT RH
*7	AIR CLEANER ASSEMBLY	*8	AIRBAG SENSOR
*9	NO. 1 AIR INLET DUCT	*10	INLET NO. 2 AIR DUCT
	N*m (kgf*cm, ft.*lbf): Specified torque	•	Non-reusable part

ILLUSTRATION

Last Modified: 07-26-2024	6.11:8.1.0	Doc ID: RM100000001JCMK
Model Year Start: 2020	Model: Supra	Prod Date Range: [03/2019 - 07/2020]
Title: EXTERIOR PANELS / TRIM: FRONT BUMPER: REMOVAL; 2020 - 2021 MY Supra [03/2019 - 07/2020]		

REMOVAL

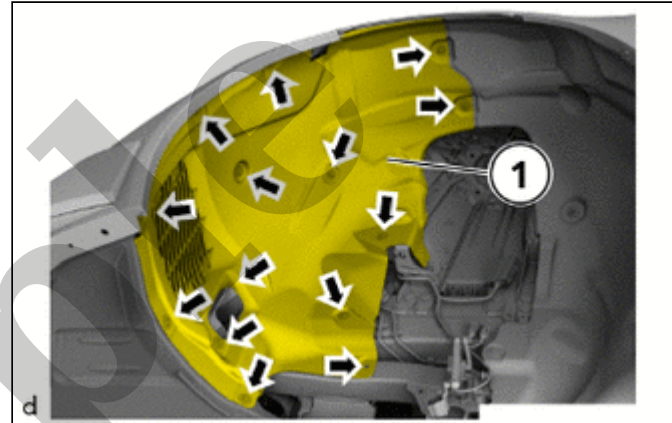
PROCEDURE

1. DISCONNECT CABLE FROM NEGATIVE BATTERY TERMINAL

Click here [INFO](#)

2. REMOVE FRONT FENDER LINER LH

(a) Remove the 13 screws, clip and front fender liner LH (1).



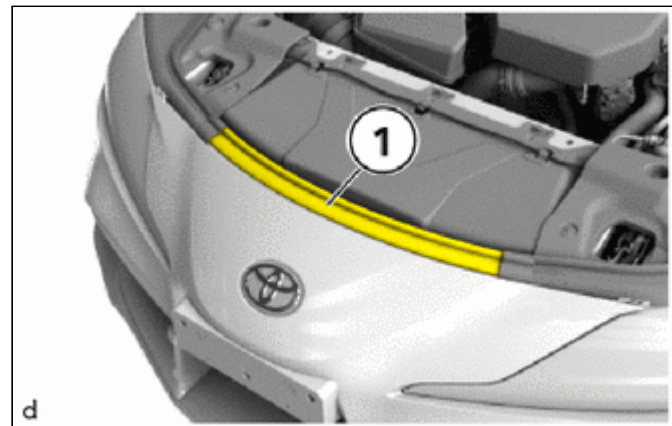
3. REMOVE FRONT FENDER LINER RH

HINT:

Use the same procedure as for the LH side.

4. REMOVE HOOD TO RADIATOR SUPPORT SEAL

(a) Remove the hood to radiator support seal (1).



5. REMOVE FRONT FENDER UPPER PROTECTOR LH

(a) Remove the clips (1) and clips (2).

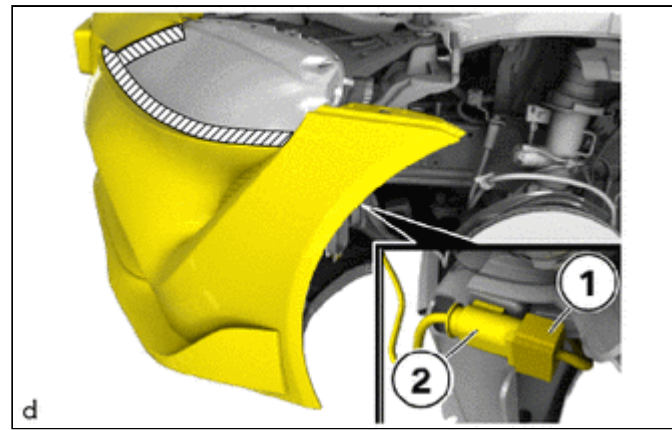
HINT:

Perform the operations on the left and right side.

(d) Disconnect the connector (1).

HINT:

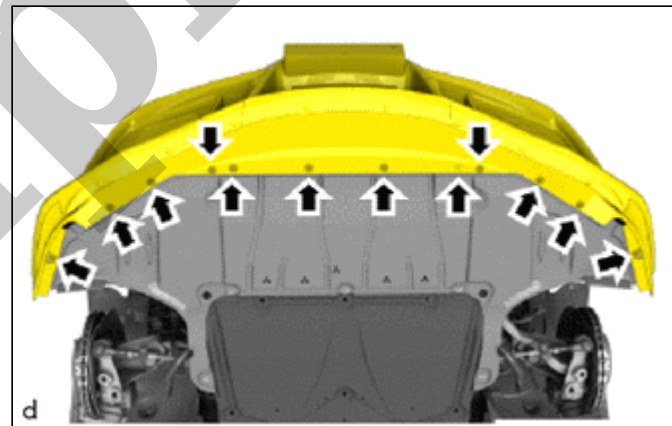
Perform the operations on the left and right side.



(e) Disengage the clamp (2).

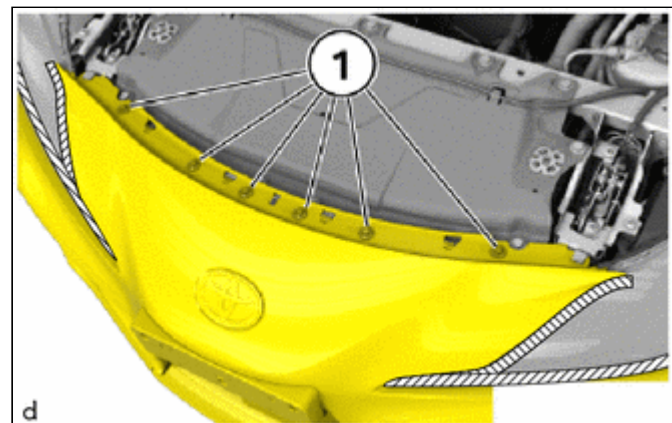
HINT:

Perform the operations on the left and right side.



(f) Remove the screws (arrows) on the front bumper assembly.

(g) Remove the bolts (1).



(h) Disengage the clamps (1) and guides (2) to separate the front bumper assembly.