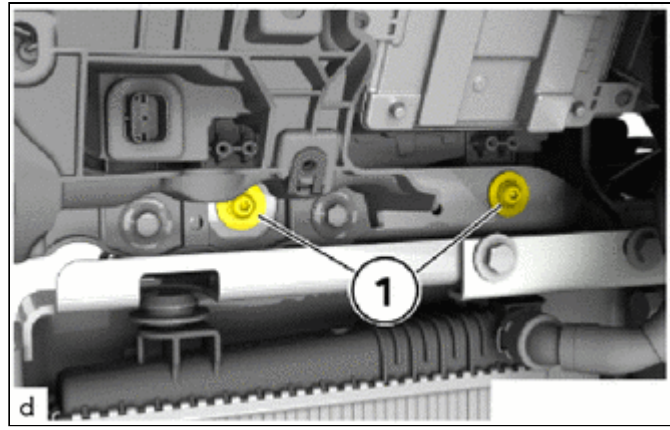


Your Ultimate Source for OEM Repair Manuals

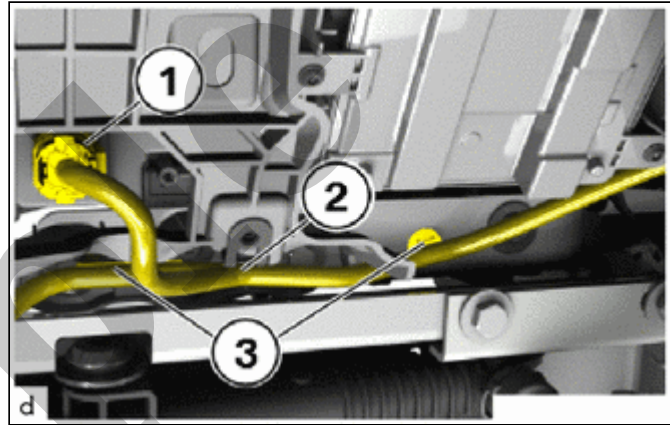
FactoryManuals.net is a great resource for anyone who wants to save money on repairs by doing their own work. The manuals provide detailed instructions and diagrams that make it easy to understand how to fix a vehicle.

2020 Toyota Camry TRD Service Manual

[Go to manual page](#)



(d) Connect the connector (1).



(e) Engage the clamps (3) to connect the wiring harness (2).

2. INSTALL FRONT BUMPER ASSEMBLY

Click here [INFO](#) [INFO](#)

3. ADJUST HEADLIGHT AIMING

Click here [INFO](#)

4. ADJUST MILLIMETER WAVE RADAR SENSOR (w/ Toyota Supra Safety)

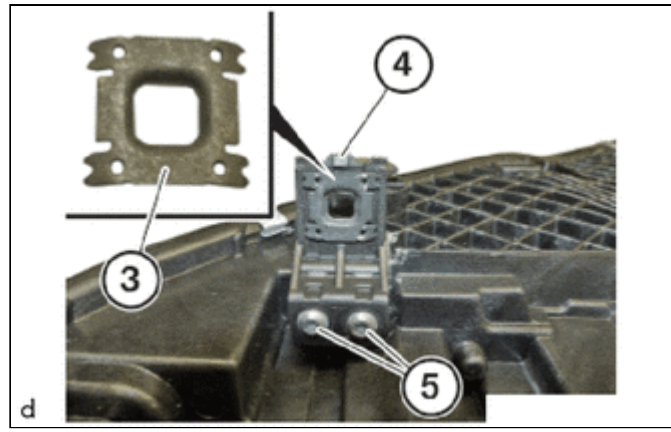
- Before starting adjustment:

Click here [INFO](#)

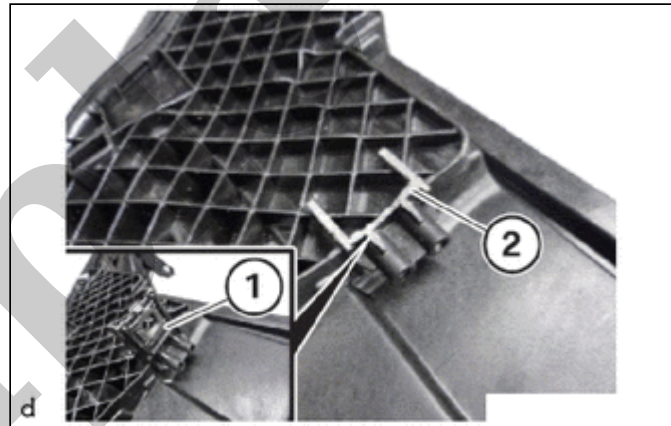
- Adjustment:

Click here [INFO](#)

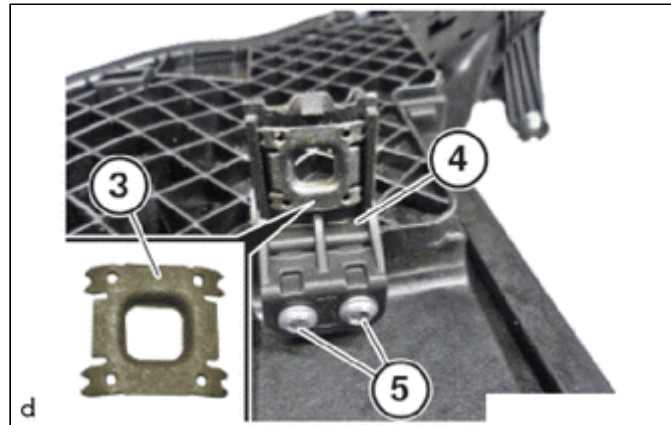




(d) Secure the new retaining ring with enclosed screws (5).



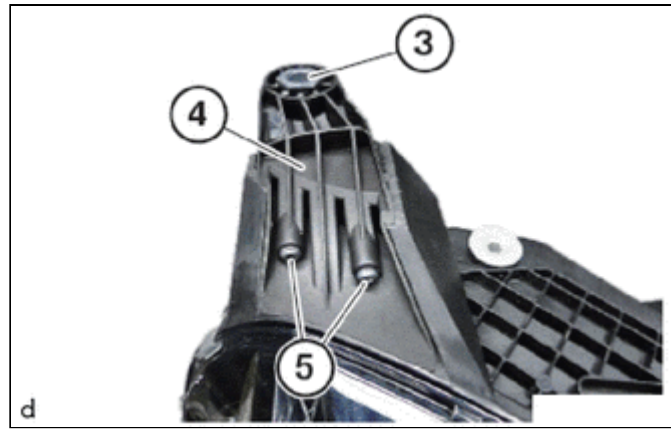
(e) If necessary, remove damaged retaining ring (1) as shown (2).



(f) Mount the enclosed reinforcement plate (3) in new retaining ring (4).

(g) Secure the new retaining ring with enclosed screws (5).

(h) If necessary, remove damaged retaining ring (1) as shown (2).



(m) Secure the new retaining ring with enclosed screws (5).

Sample

Last Modified: 07-26-2024	6.11:8.1.0	Doc ID: RM100000001JCKA
Model Year Start: 2020	Model: Supra	Prod Date Range: [03/2019 -]
Title: LIGHTING (EXT): SIDE TURN SIGNAL LIGHT ASSEMBLY: REMOVAL; 2020 - 2025 MY Supra [03/2019 -]		

REMOVAL

CAUTION / NOTICE / HINT

HINT:

- Use the same procedure for both the LH and RH sides.
- The procedure described below is for the LH side.

PROCEDURE

1. REMOVE OUTER MIRROR

Click here [INFO](#)

2. REMOVE OUTER MIRROR COVER

Click here [INFO](#)

3. REMOVE OUTER MIRROR ACTUATOR ASSEMBLY

Click here [INFO](#)

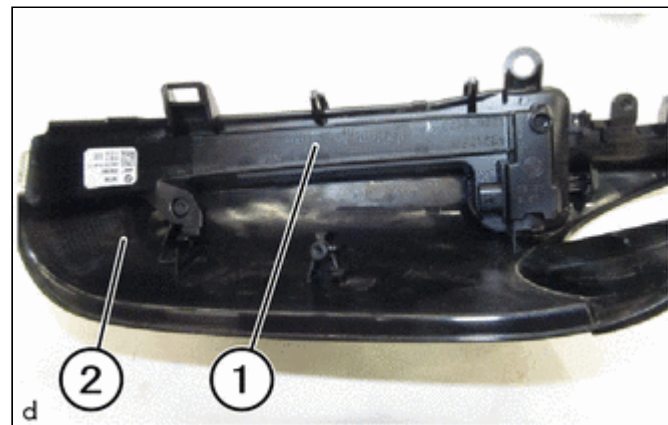
4. REMOVE NO. 2 OUTER MIRROR COVER

Click here [INFO](#)

5. REMOVE SIDE TURN SIGNAL LIGHT ASSEMBLY

(a) for Type A:

(1) Remove the side turn signal light assembly (1) from the No. 2 outer mirror cover (2).



(b) for Type B:

(1) Disconnect the connector (1).