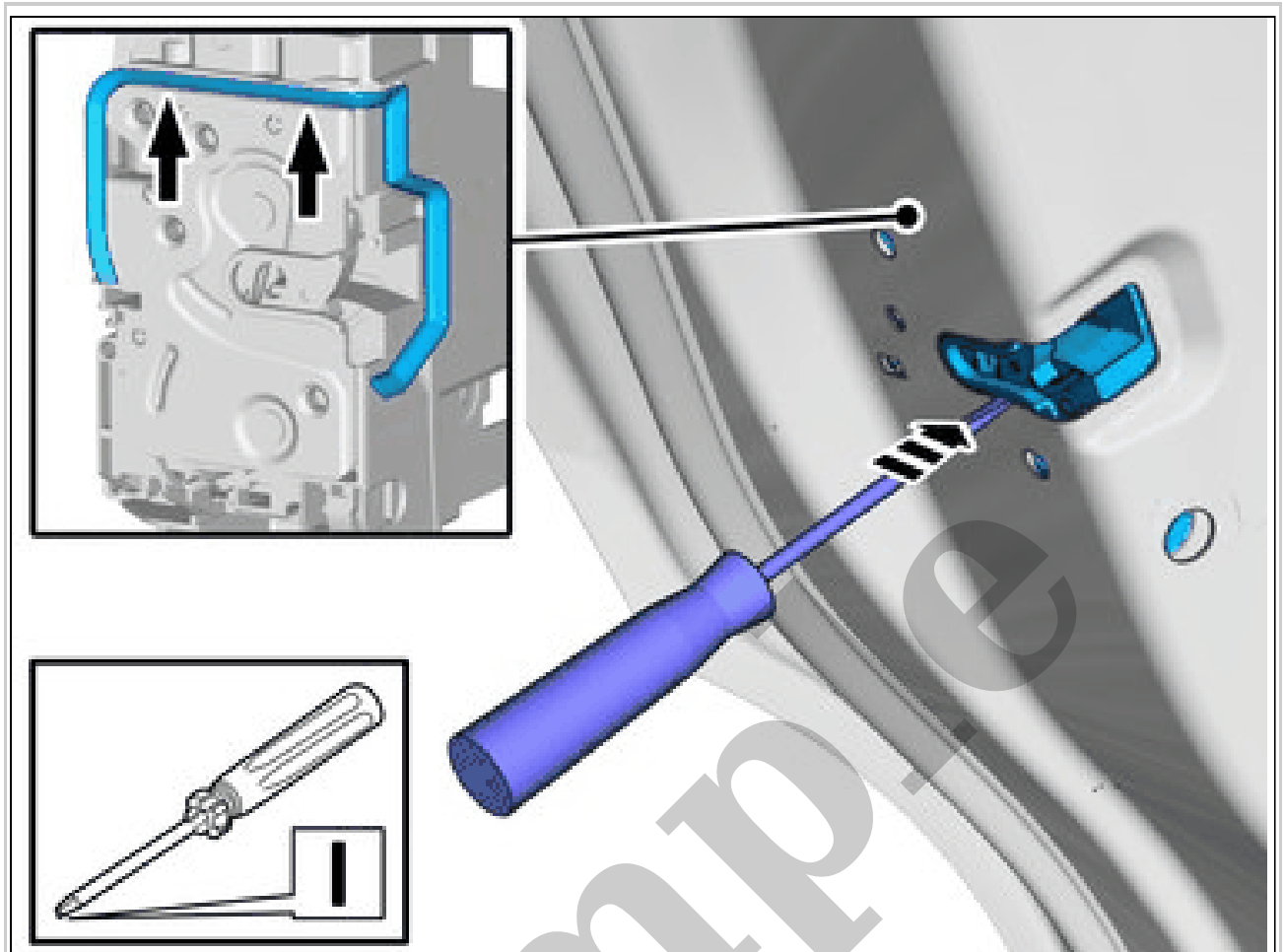


# Your Ultimate Source for OEM Repair Manuals

FactoryManuals.net is a great resource for anyone who wants to save money on repairs by doing their own work. The manuals provide detailed instructions and diagrams that make it easy to understand how to fix a vehicle.

## Volvo XC60 2019 Manual - Complete Service & Repair

[Go to manual page](#)



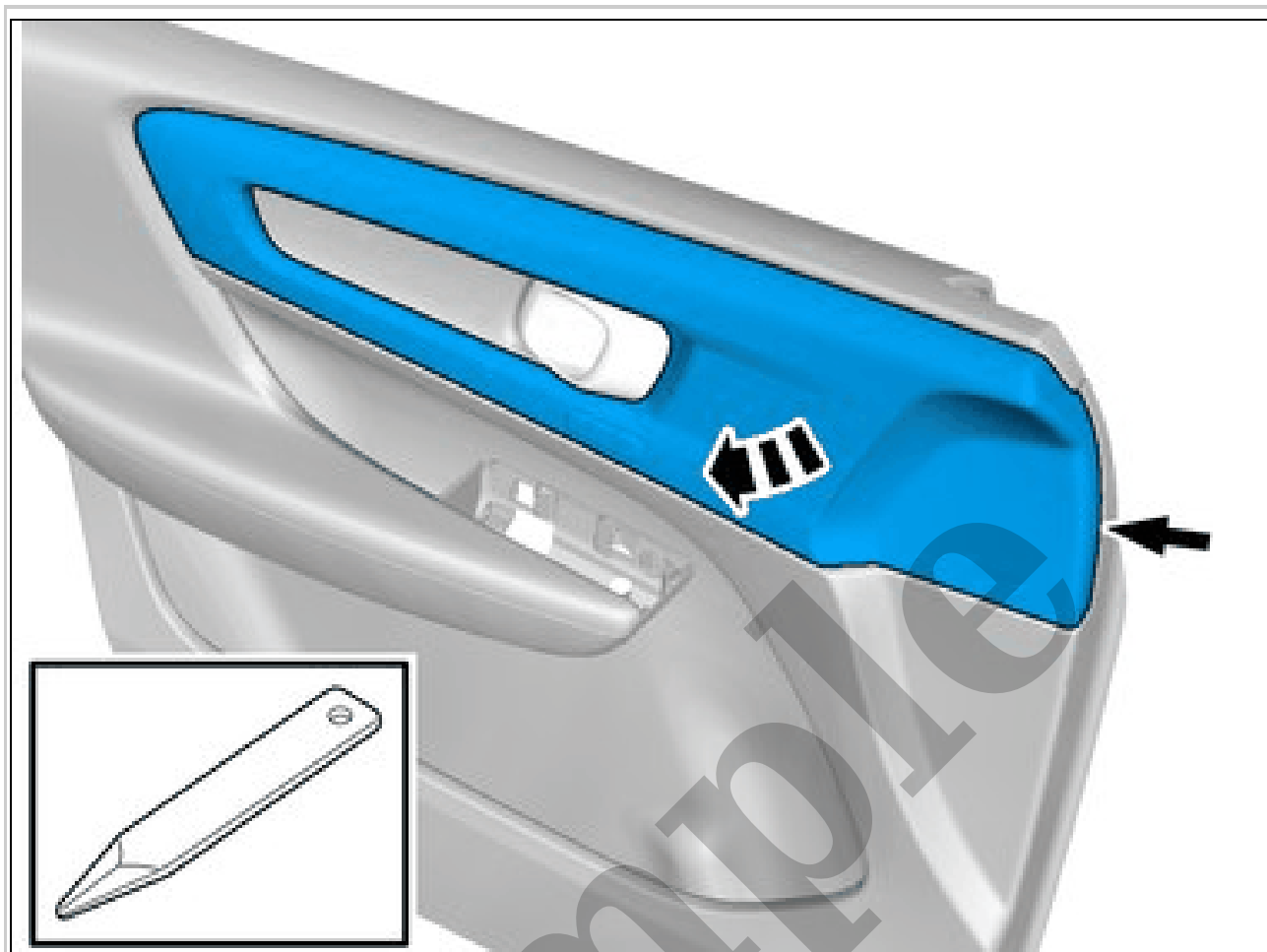
Courtesy of VOLVO CARS CORPORATION

**CAUTION:** *Lightly press the door latch so that the sealing is in the correct position.*



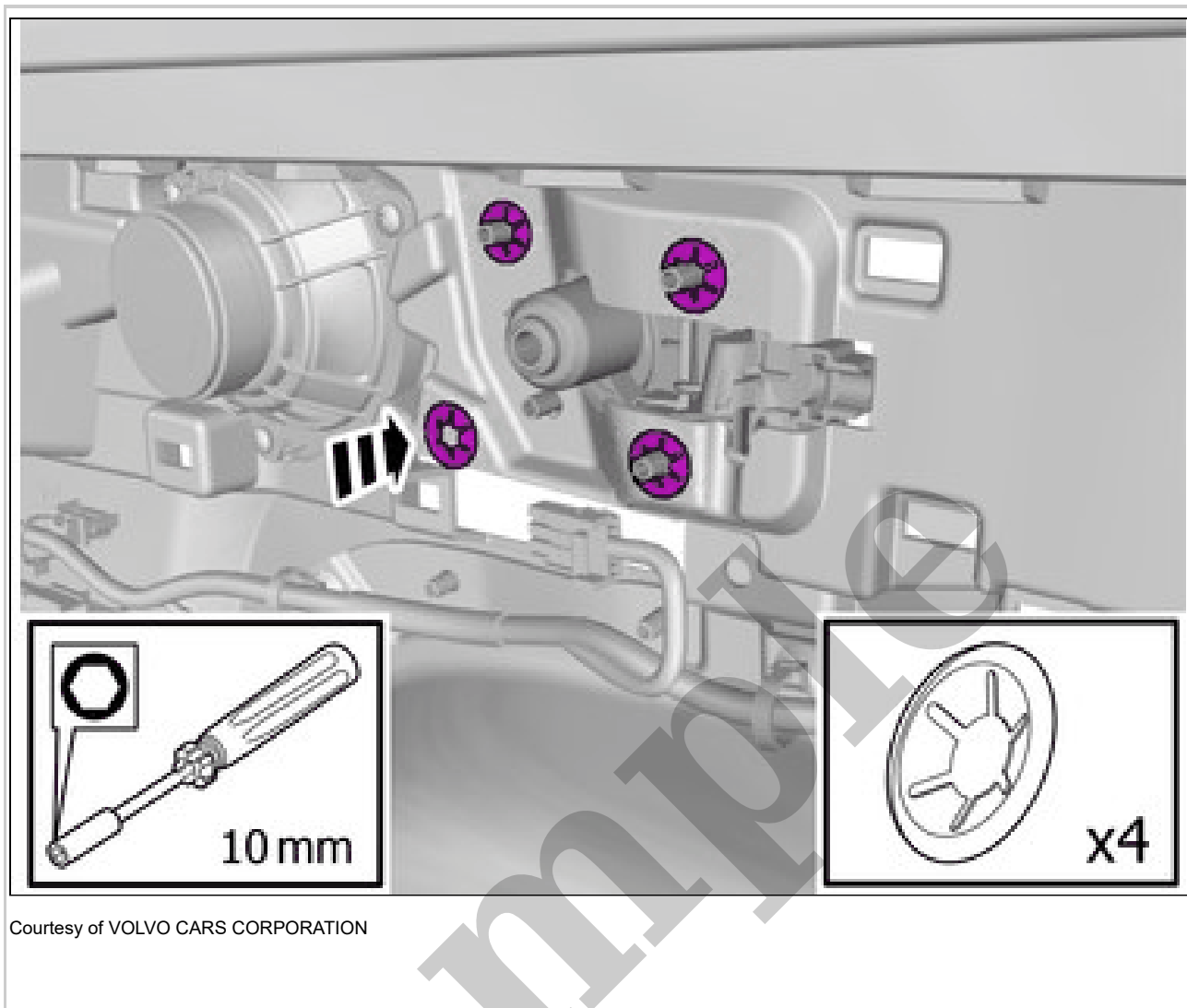
Courtesy of VOLVO CARS CORPORATION

Remove the marked part.



Courtesy of VOLVO CARS CORPORATION

Remove the panel.



Courtesy of VOLVO CARS CORPORATION

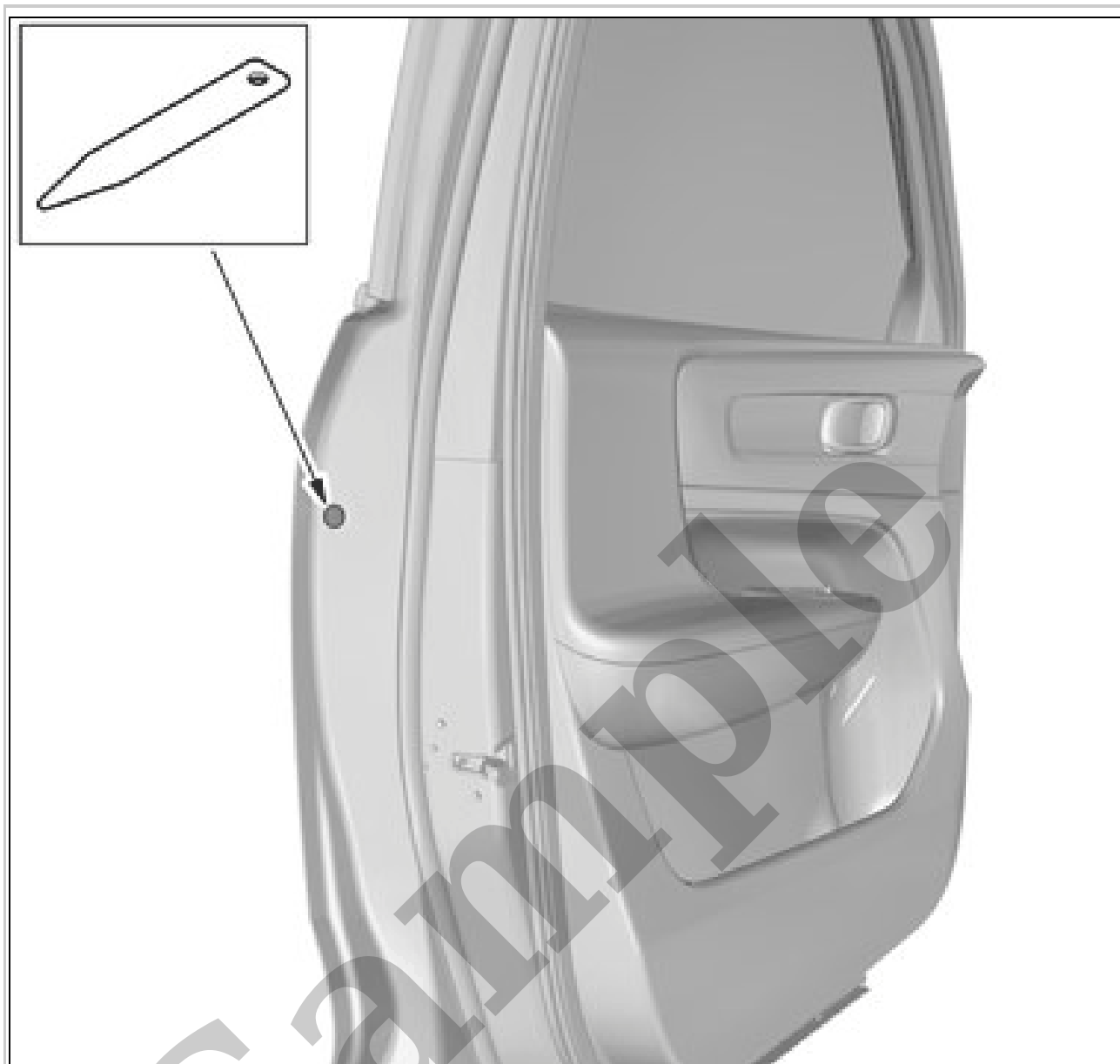
Install the marked components.

**Use:** Holder, 987175

To install, reverse the removal procedure.

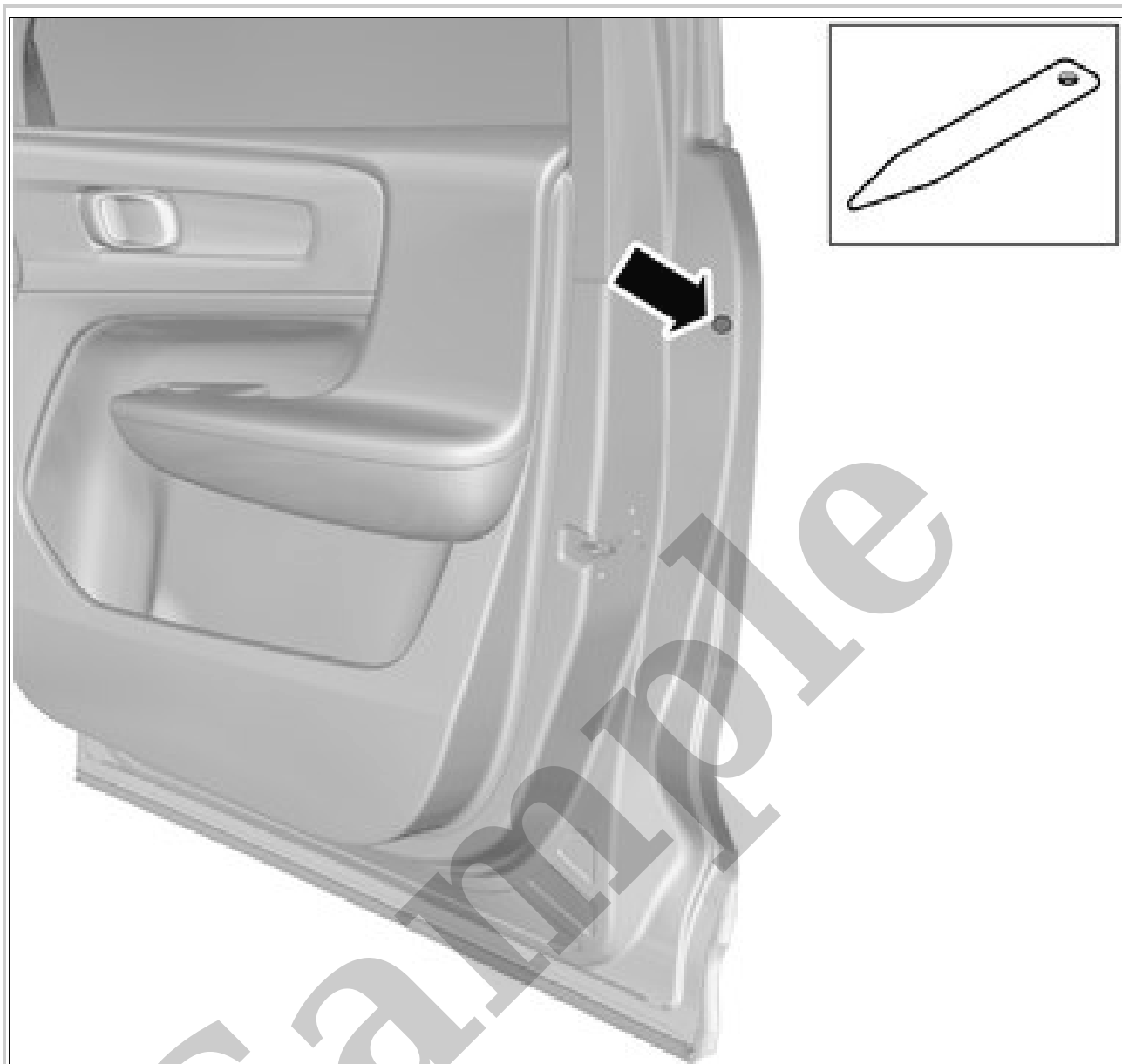
## HANDLE INTERNAL, DOOR REAR > HANDLE INTERNAL, DOOR REAR [2018-2022] > REMOVAL

Remove panel side door rear. Refer to: PANEL REAR DOOR



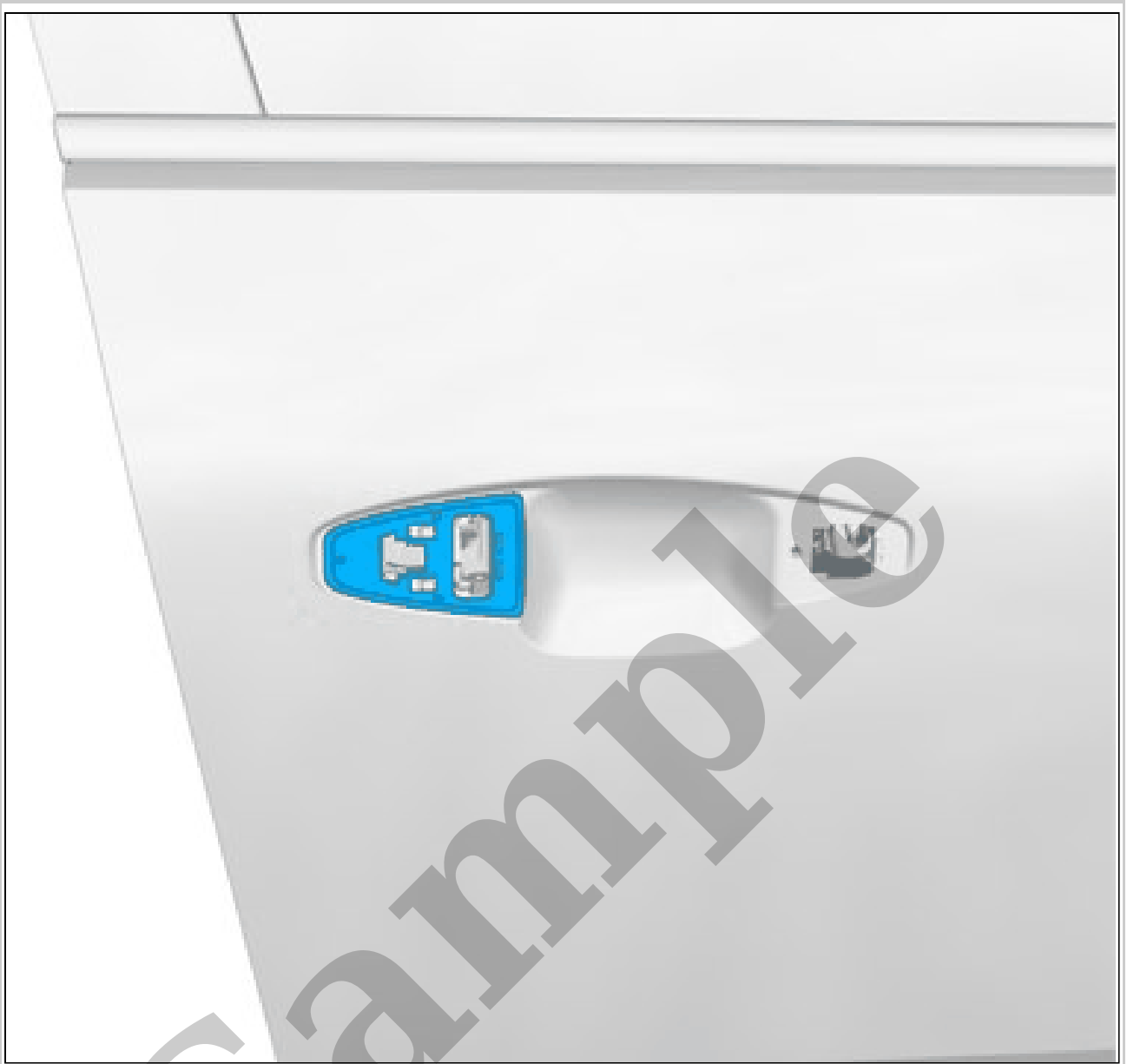
Courtesy of VOLVO CARS CORPORATION

Remove the marked part.



Courtesy of VOLVO CARS CORPORATION

Remove the marked part.

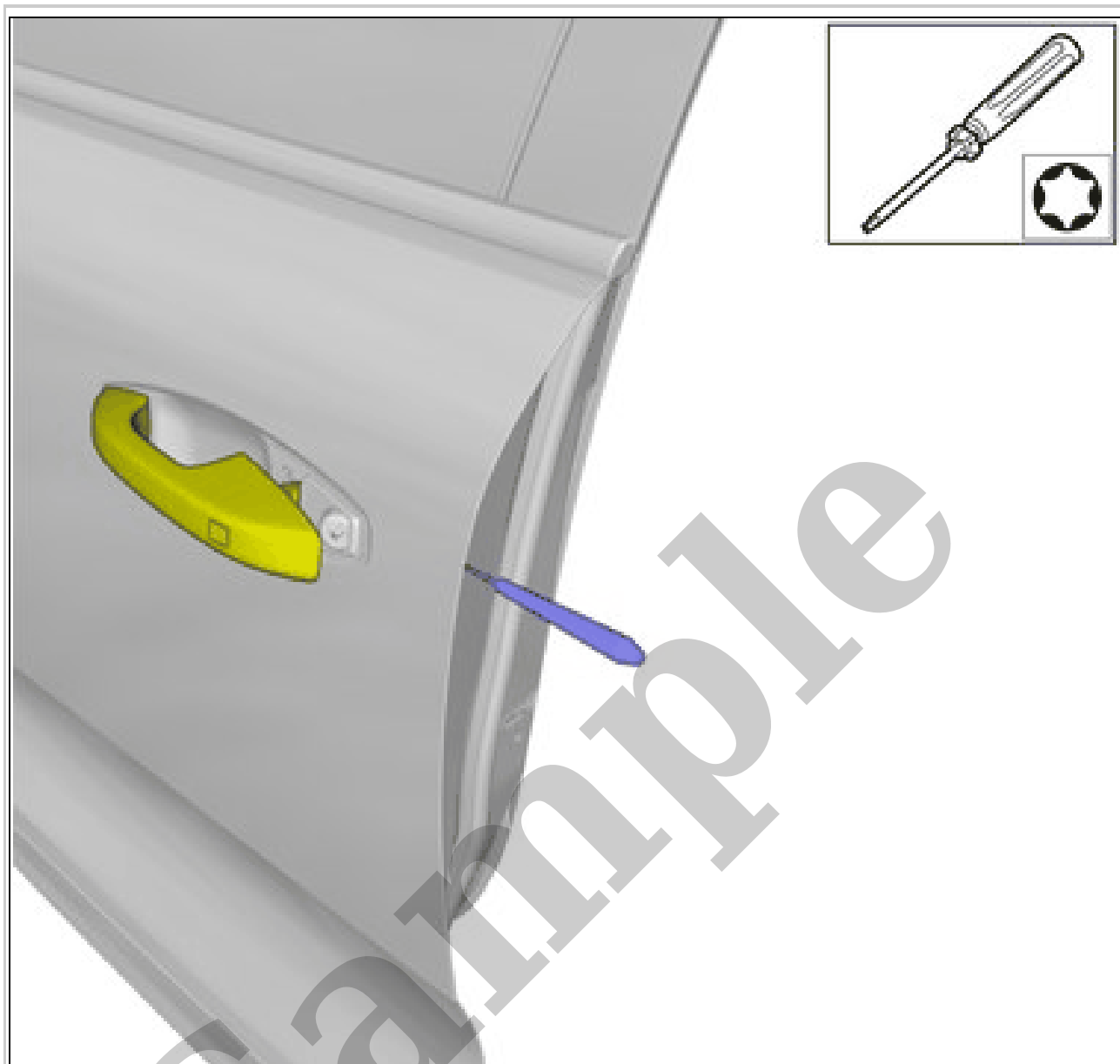


Courtesy of VOLVO CARS CORPORATION

Remove the marked part.

**TRANSFERRING COMPONENTS**



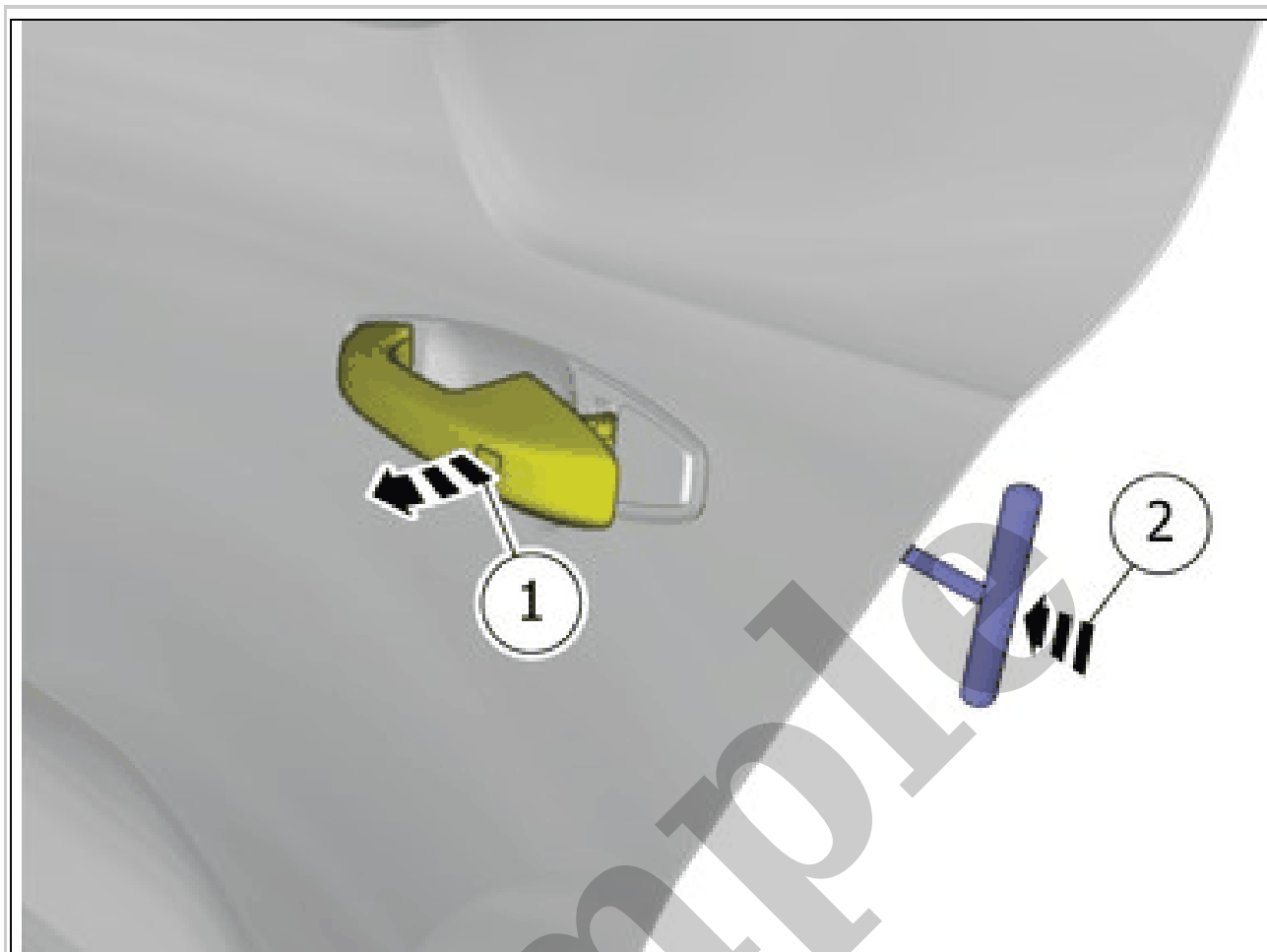


Courtesy of VOLVO CARS CORPORATION

**CAUTION:** *Do not hold the door handle when the locking is released.*

Tighten the screw.

**APPLIES TO THE PASSENGER SIDE**



Courtesy of VOLVO CARS CORPORATION

**CAUTION:** Pull the door handle outwards and hold it in the pulled out position.

Depress the locking device.