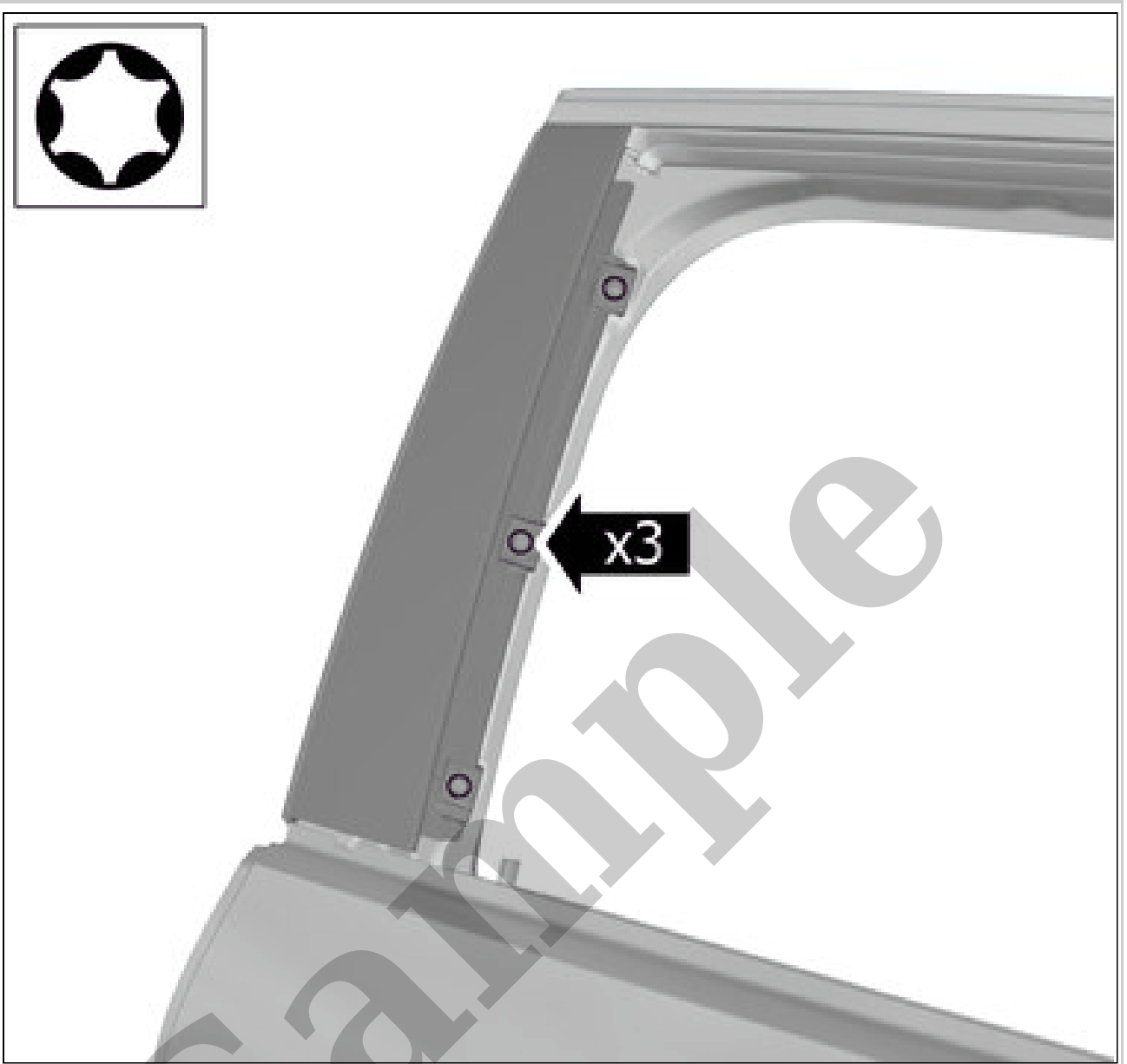
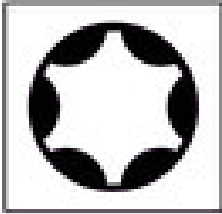


# Your Ultimate Source for OEM Repair Manuals

FactoryManuals.net is a great resource for anyone who wants to save money on repairs by doing their own work. The manuals provide detailed instructions and diagrams that make it easy to understand how to fix a vehicle.

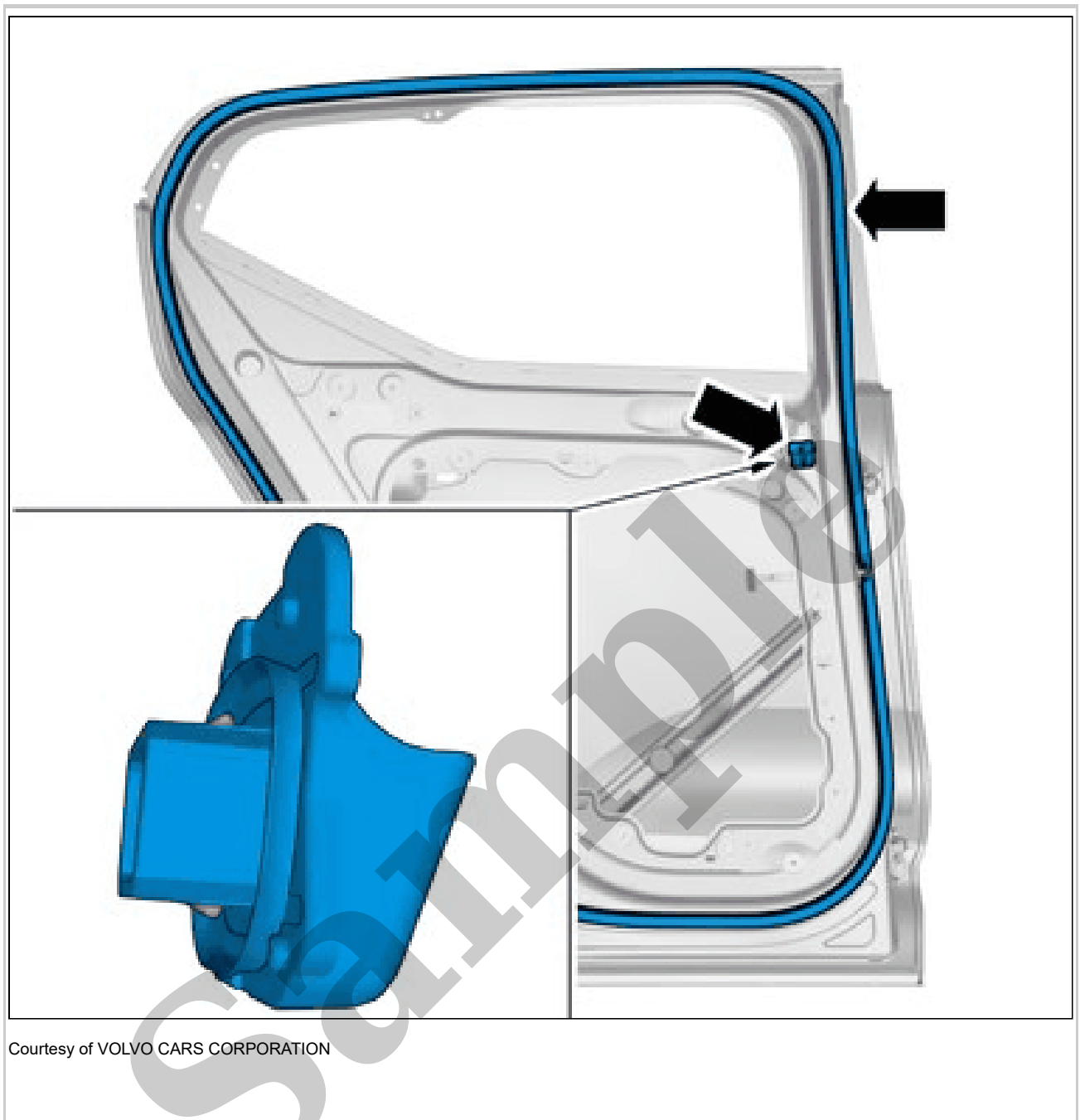
## 2019 Volvo V90 Service and Repair Manual

[Go to manual page](#)



Courtesy of VOLVO CARS CORPORATION

Remove the screws.



Courtesy of VOLVO CARS CORPORATION

Install the marked component.  
To install, reverse the removal procedure.

### **FOOT MOVEMENT DETECTION MODULE > FOOT MOVEMENT DETECTION MODULE (FMDM) [2018-2022, B4204T18 | 2019-2022, B4204T47] > REMOVAL**

Set the vehicle to Inactive mode, described in user mode. Refer to: USAGE MODE  
Follow instructions for lifting points body frame. Refer to: JACKING POINTS BODY



Courtesy of VOLVO CARS CORPORATION

Remove the screws.



Courtesy of VOLVO CARS CORPORATION

Remove the screws.

**Torque:** M8, 24Nm

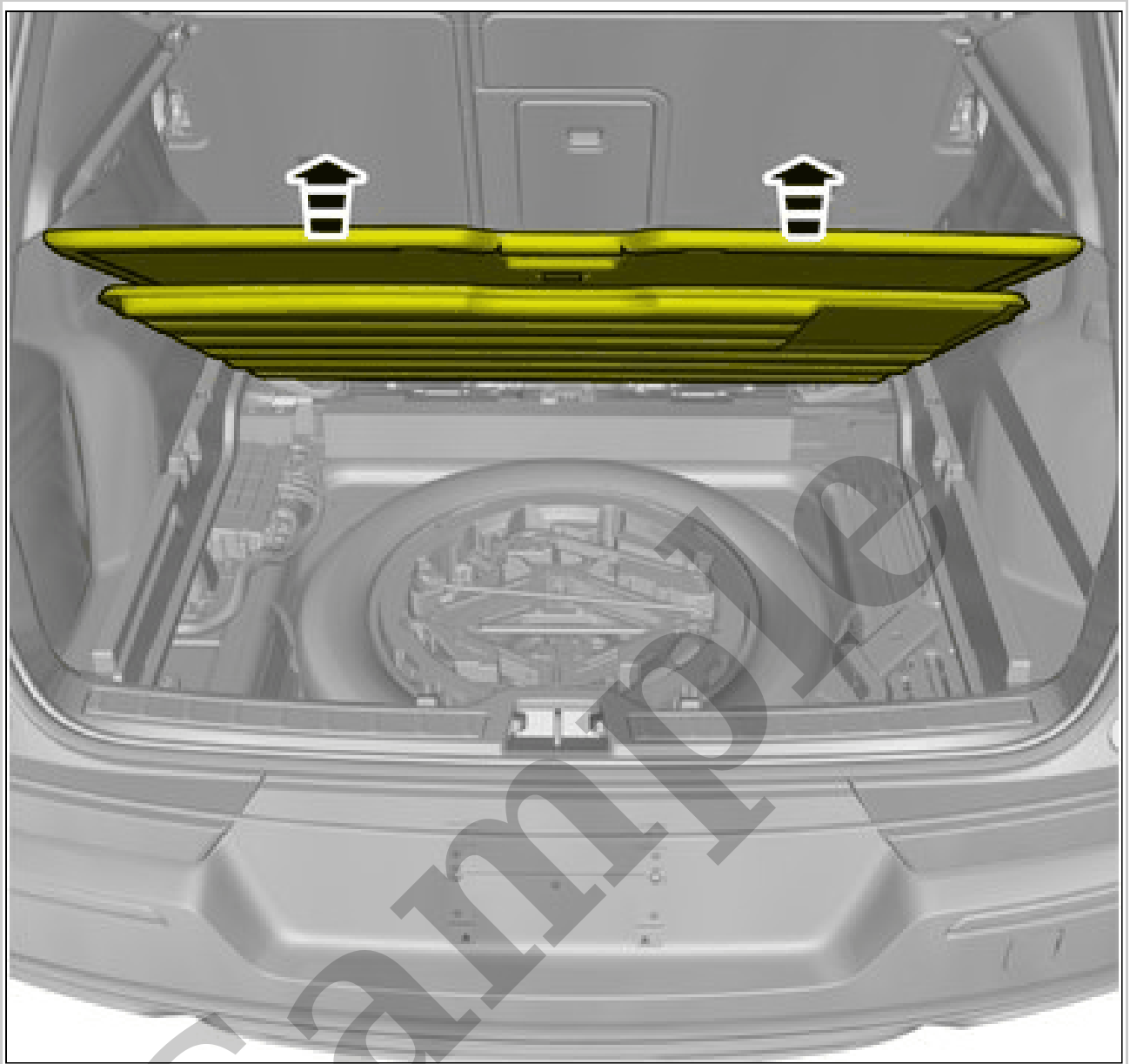
### **LIFTGATE HINGE > LIFTGATE HINGE [2018-2022] > INSTALLATION**

See information about paint. Refer to: PAINT

To install, reverse the removal procedure.

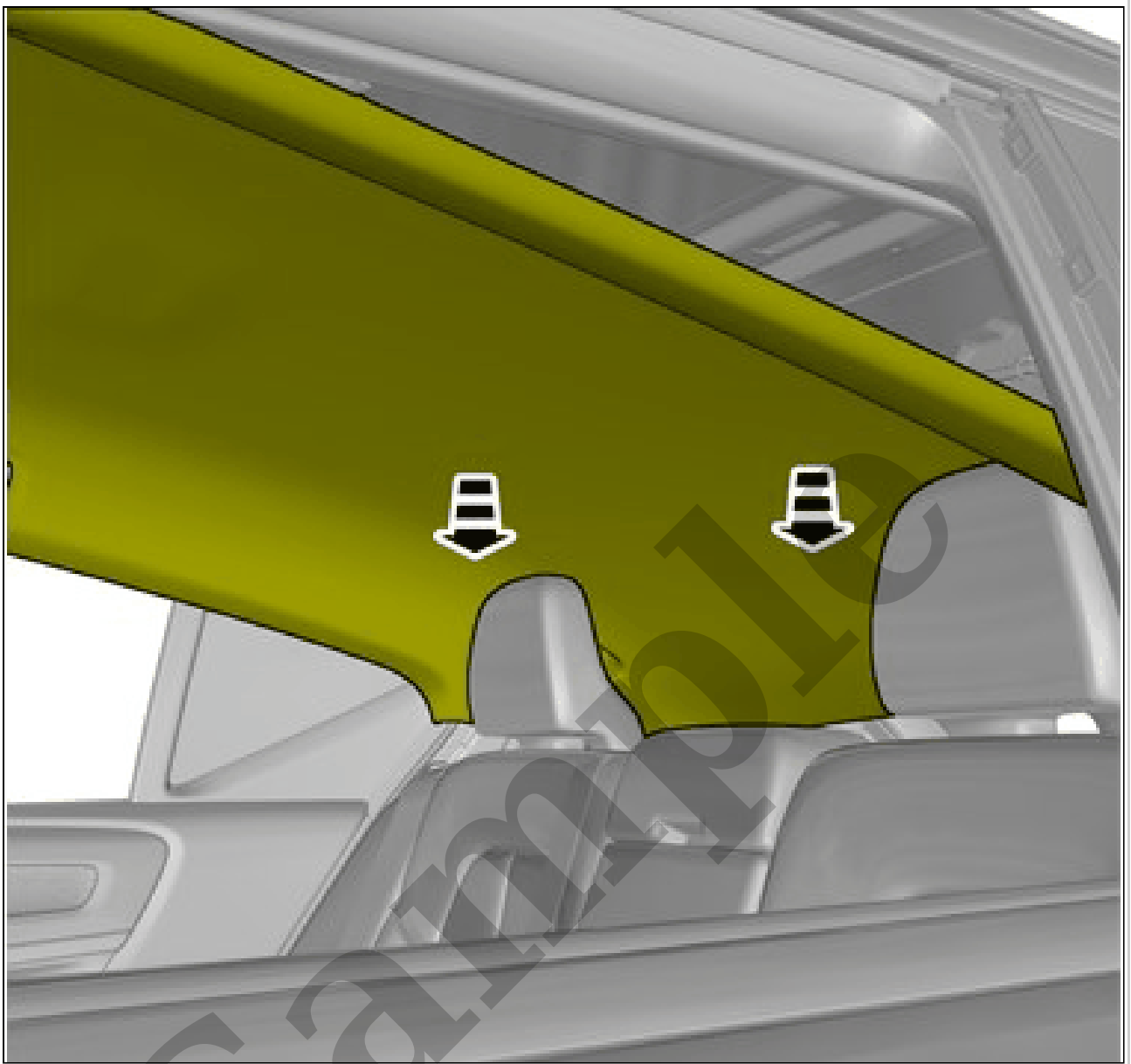
### **MOTOR, POWER OPERATED TAILGATE > MOTOR, POWER OPERATED TAILGATE [2018-2022] > REMOVAL**

Remove the C-pillar trim panel. Refer to: C-PILLAR TRIM PANEL



Courtesy of VOLVO CARS CORPORATION

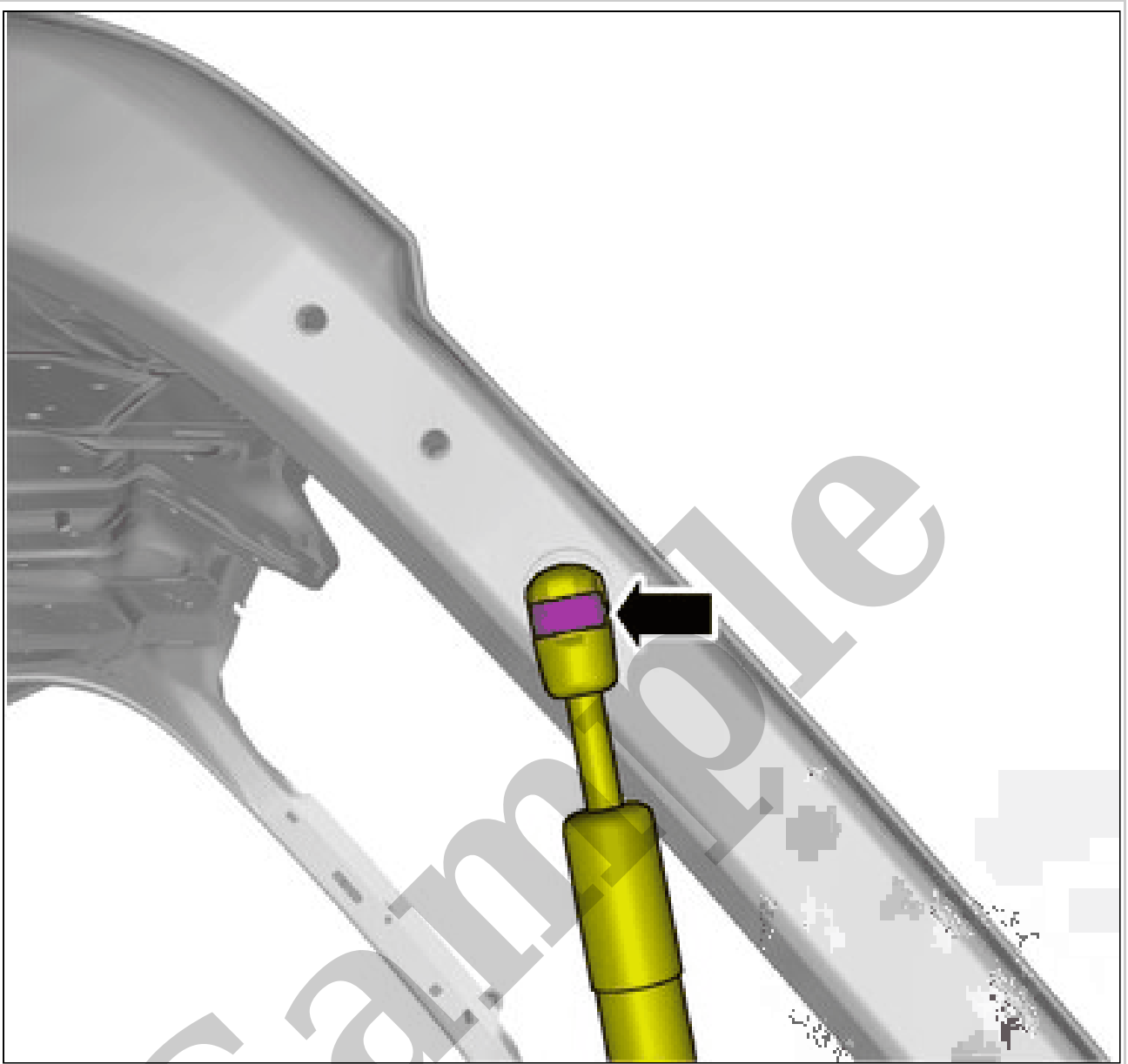
Lift the marked component up



Courtesy of VOLVO CARS CORPORATION

**CAUTION:** *Take extra care not to crease the headliner.*

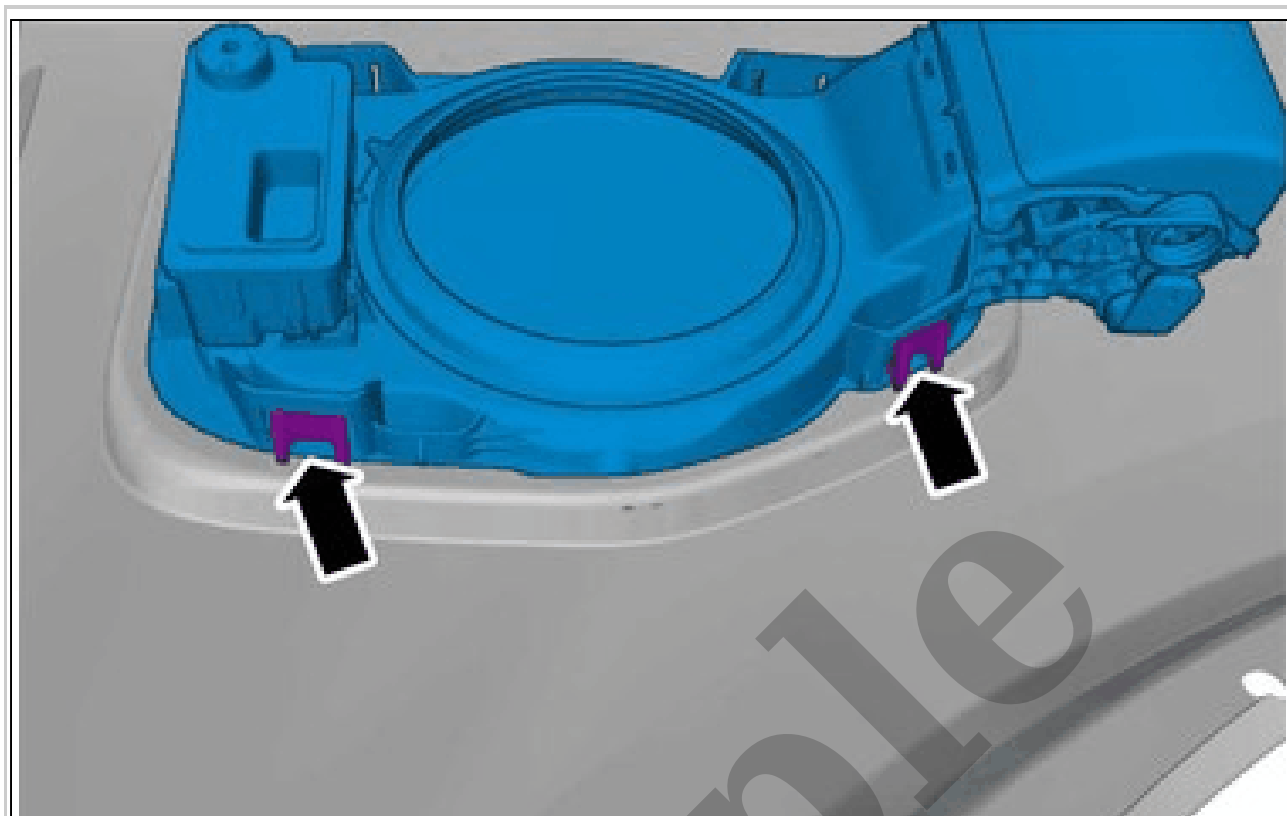
Lower to suitable height.



Courtesy of VOLVO CARS CORPORATION

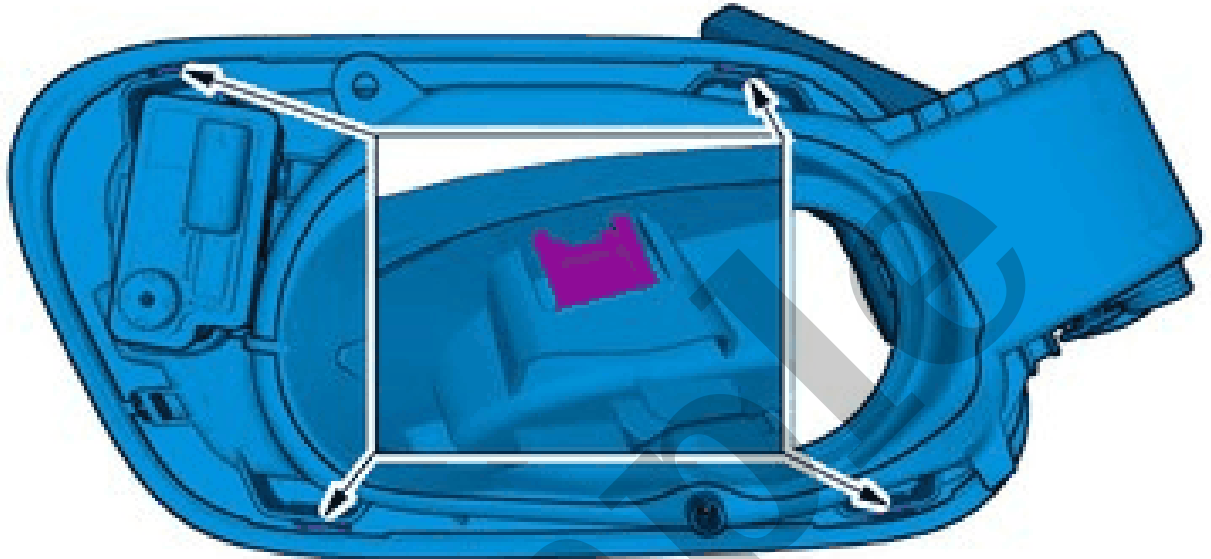
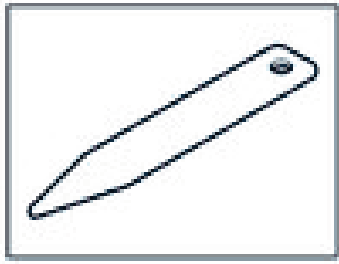
Loosen the clips.  
On both sides.





Courtesy of VOLVO CARS CORPORATION

Release the catches.



Courtesy of VOLVO CARS CORPORATION

**NOTE:** *Orientation view*