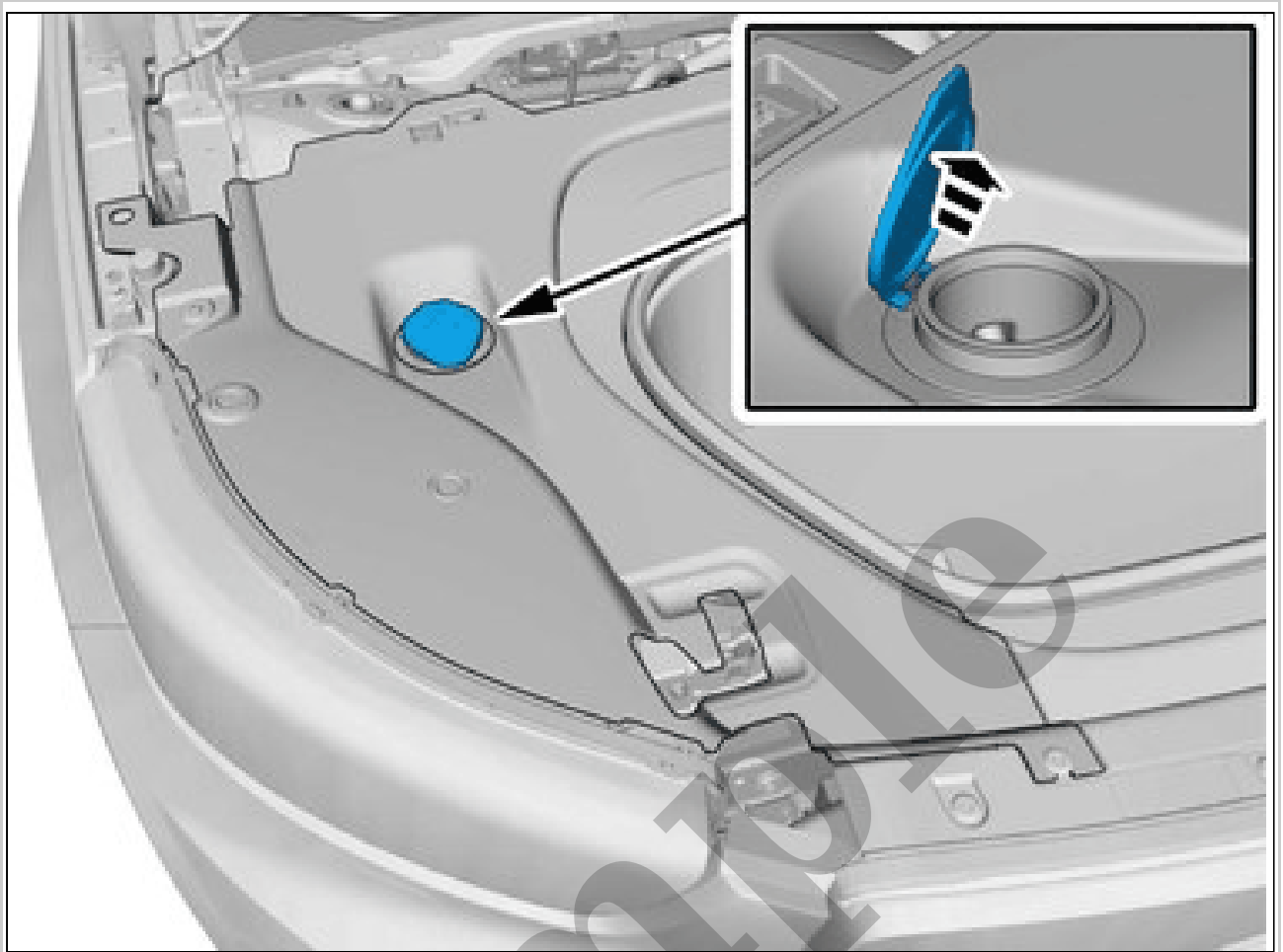


# Your Ultimate Source for OEM Repair Manuals

FactoryManuals.net is a great resource for anyone who wants to save money on repairs by doing their own work. The manuals provide detailed instructions and diagrams that make it easy to understand how to fix a vehicle.

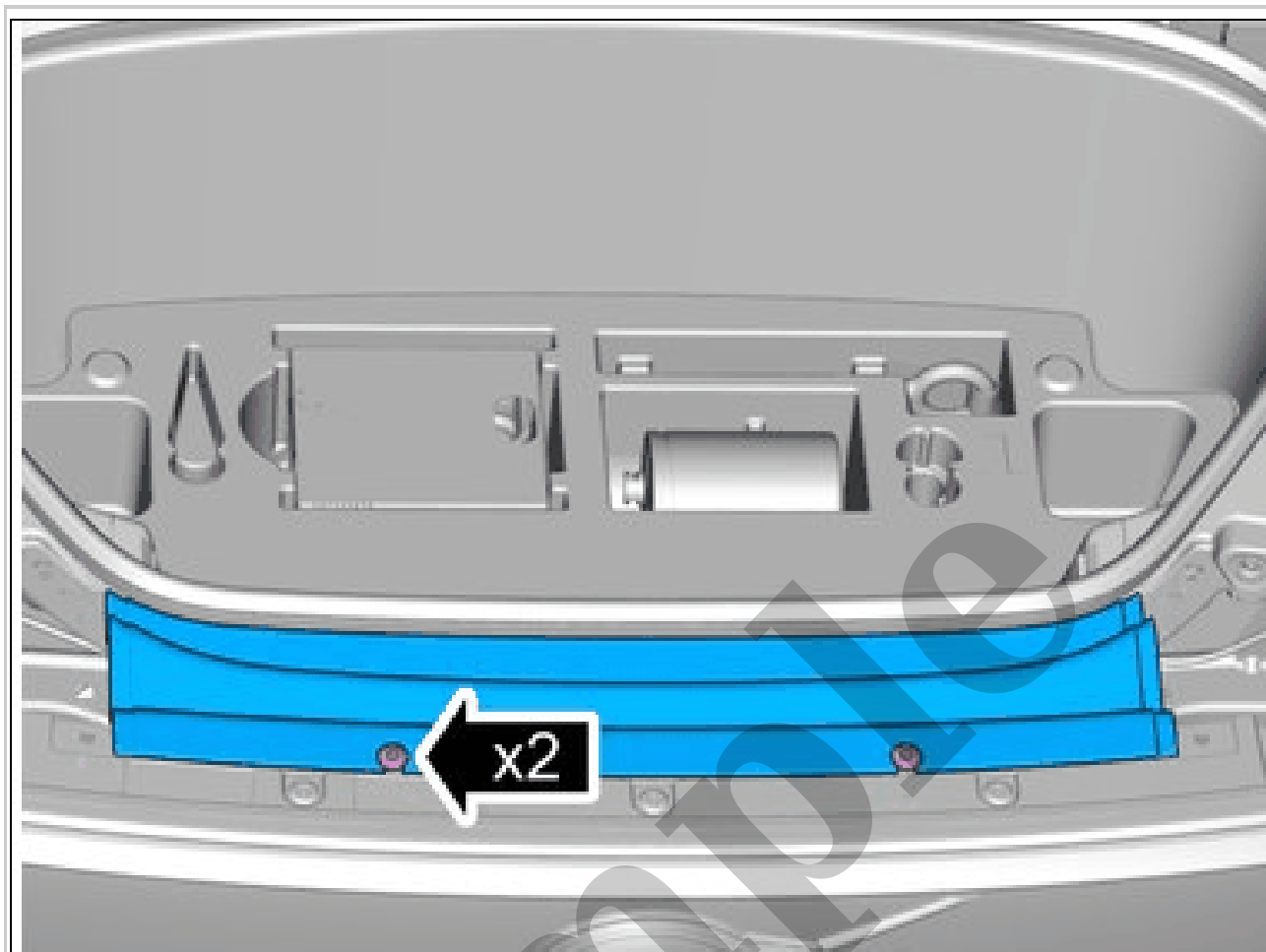
## Volvo V60 2019 Manual - Service & Repair Guide

[Go to manual page](#)



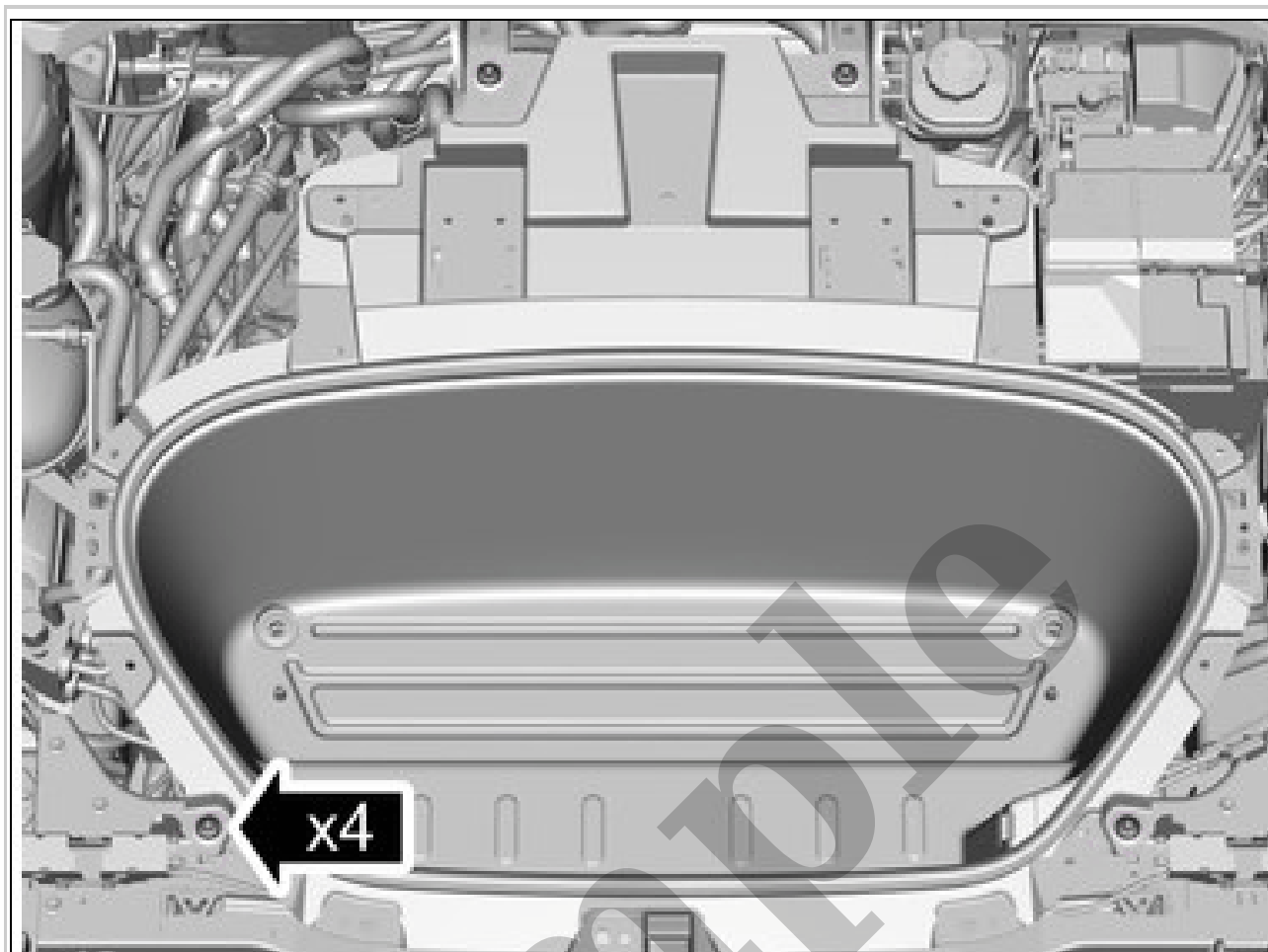
Courtesy of VOLVO CARS CORPORATION

Remove the marked part.



Courtesy of VOLVO CARS CORPORATION

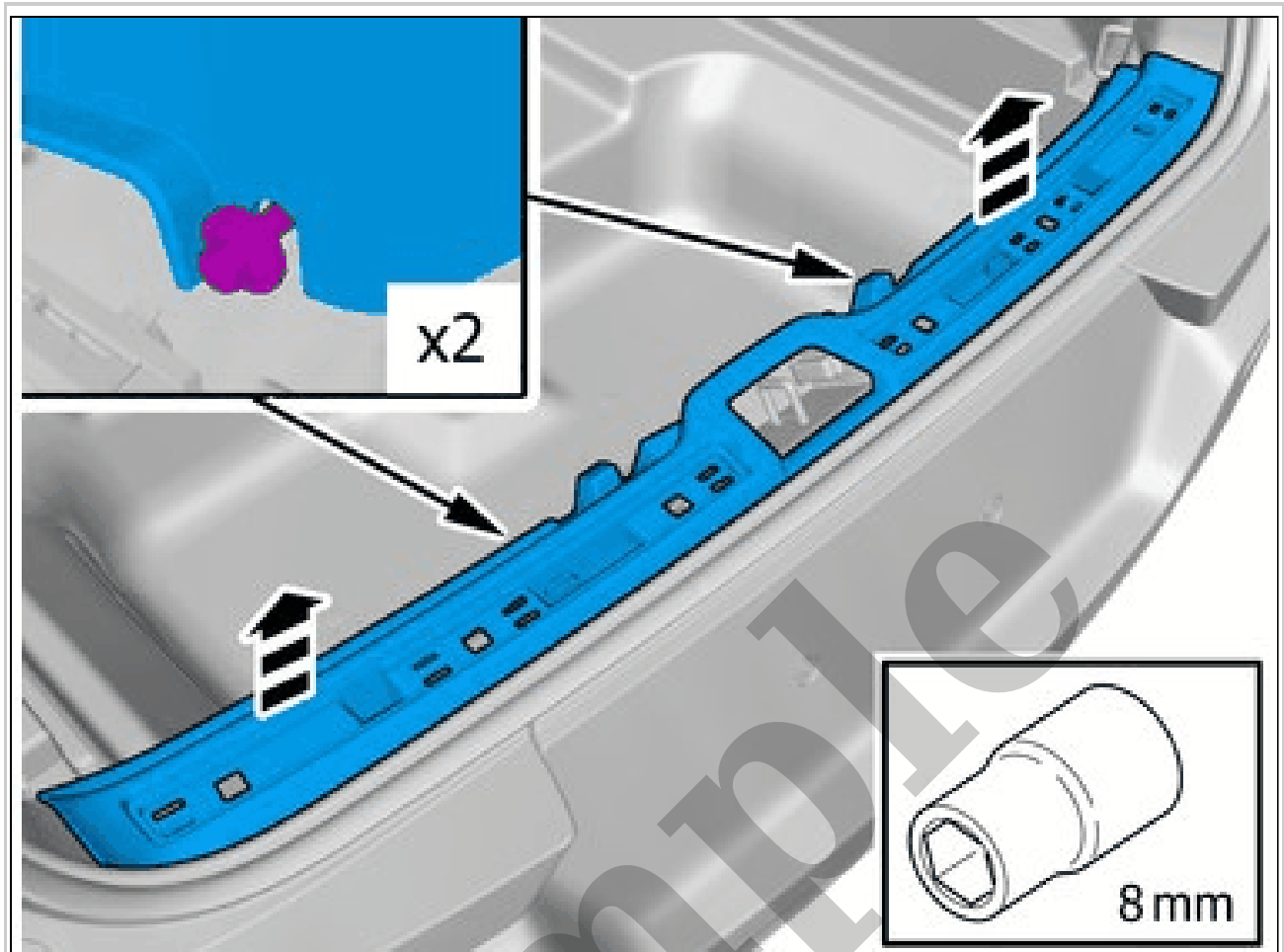
Remove the clips.  
Remove the marked part.



Courtesy of VOLVO CARS CORPORATION

Remove the screws.

**Torque:** Luggage compartment, front, to bracket, 6.0Nm



Courtesy of VOLVO CARS CORPORATION

Loosen the screws.

**Torque:** Luggage compartment sill molding to body, 4.5Nm

Remove the marked part.

## LUGGAGE COMPARTMENT SILL MOLDING > LUGGAGE COMPARTMENT SILL MOLDING [2018-2022] > INSTALLATION

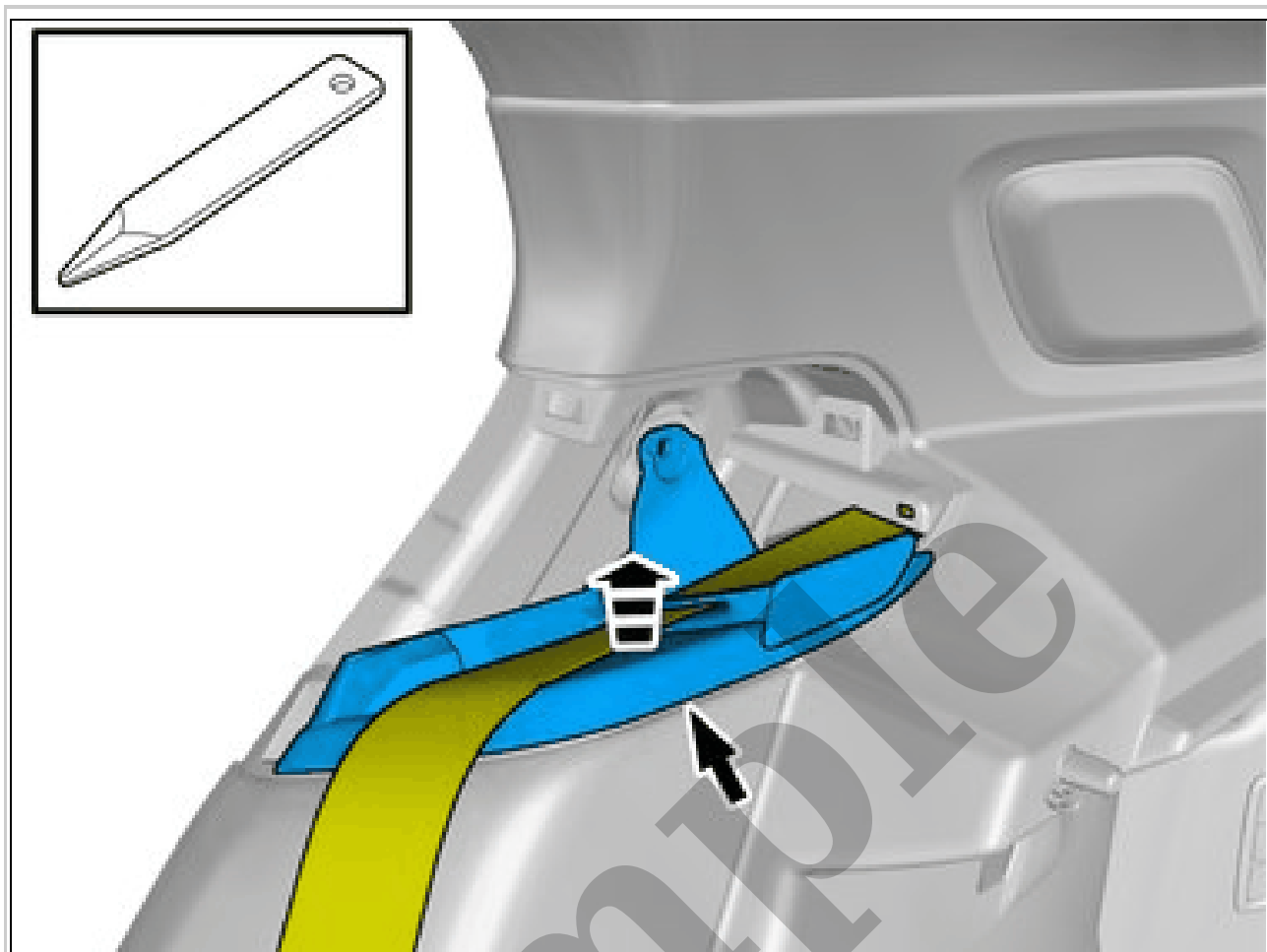
To install, reverse the removal procedure.

## REAR FLOOR CARPET > REAR FLOOR CARPET [2018-2022] > REMOVAL

Remove the following items:

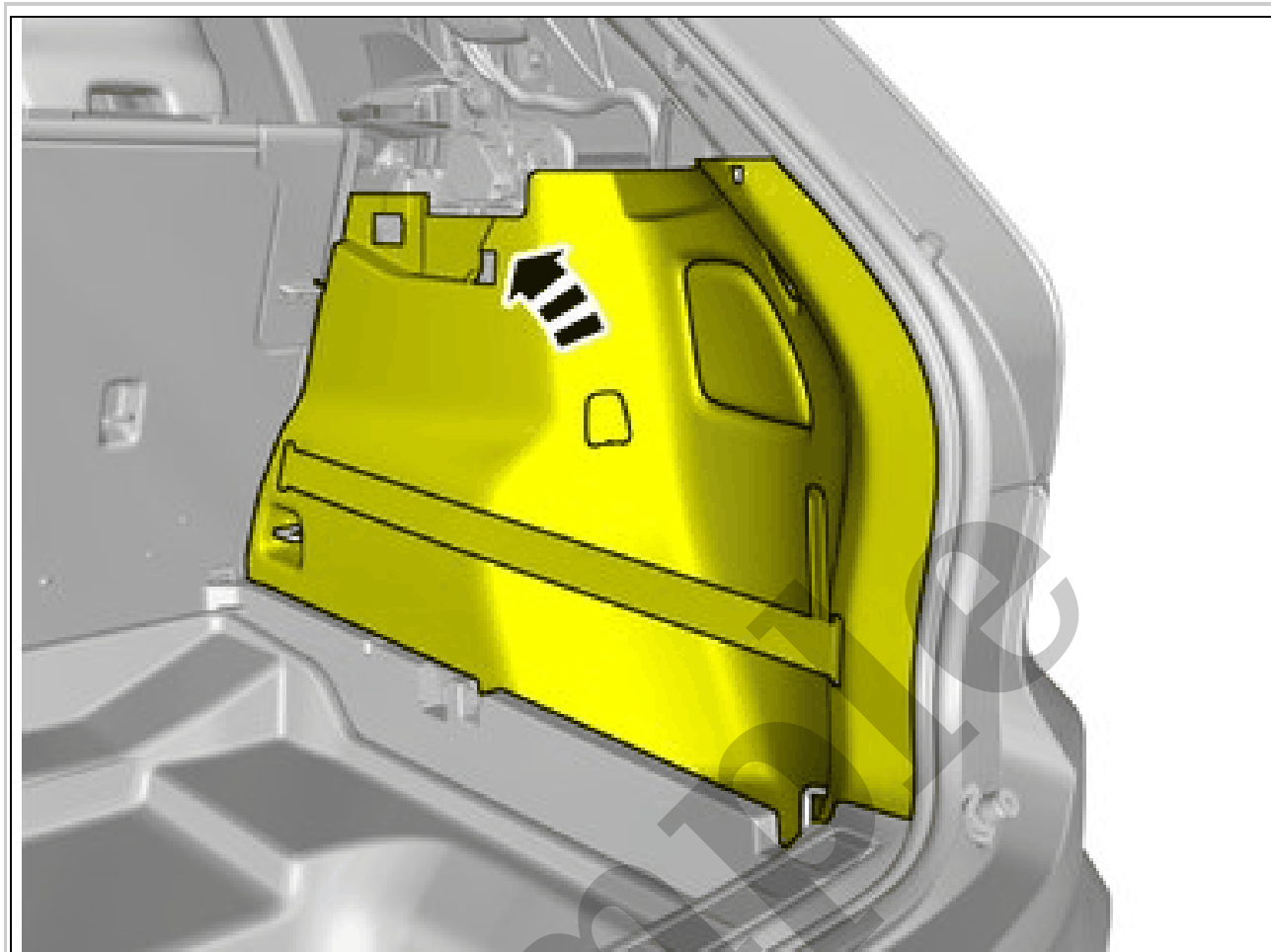
- Front seat. Refer to: FRONT SEAT
- rear sill molding. Refer to: REAR SILL MOLDING
- Seat cushion, rear seat. Refer to: SEAT CUSHION, REAR SEAT

Detach floor bracket. Refer to: FLOOR CONSOLE



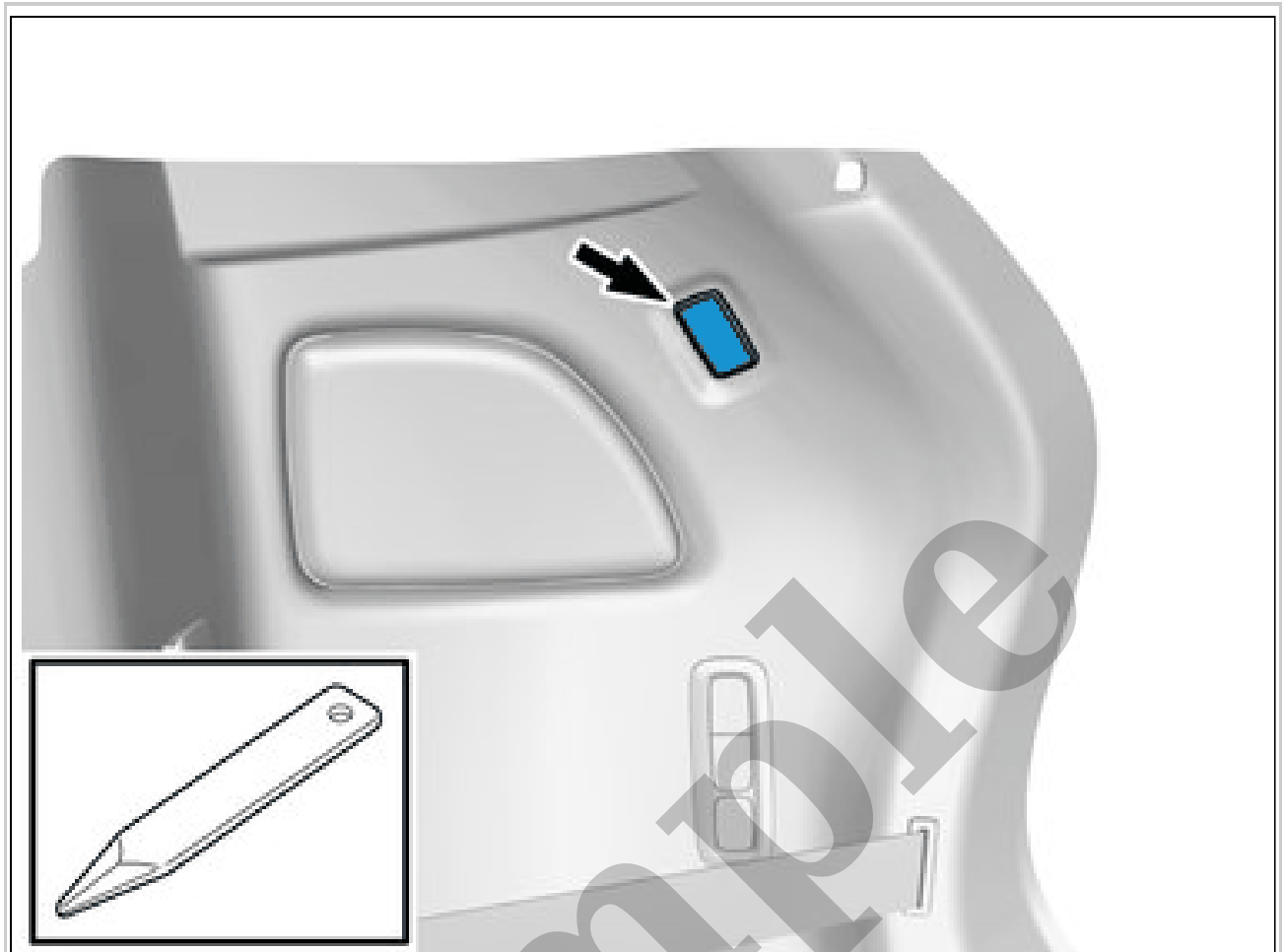
Courtesy of VOLVO CARS CORPORATION

Remove the panel.



Courtesy of VOLVO CARS CORPORATION

Fold marked part aside.  
Repeat on the other side.



Courtesy of VOLVO CARS CORPORATION

Remove the marked part.

**Use:** Interior trim remover

Repeat on the other side.

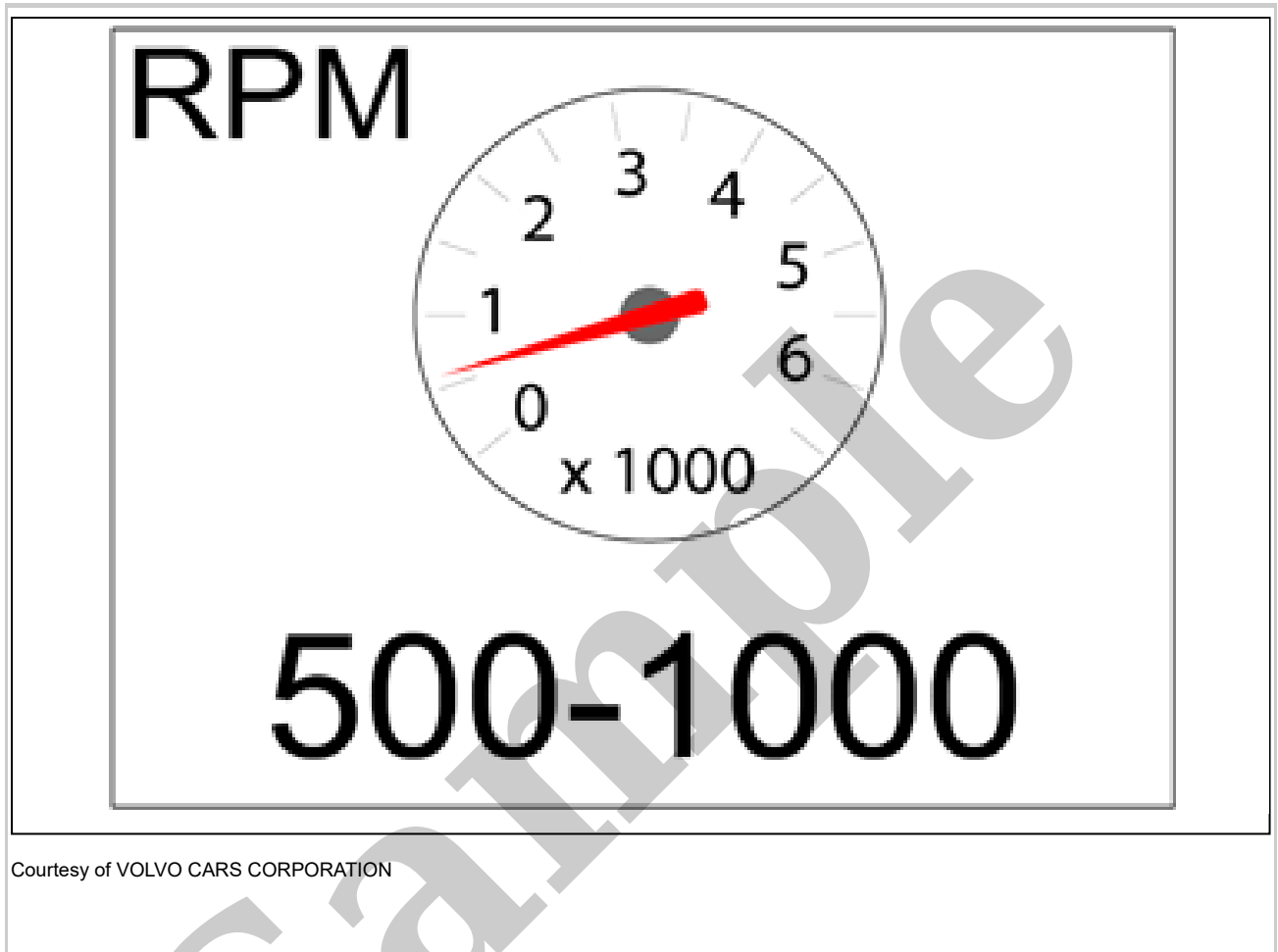
**INSTALLATION**

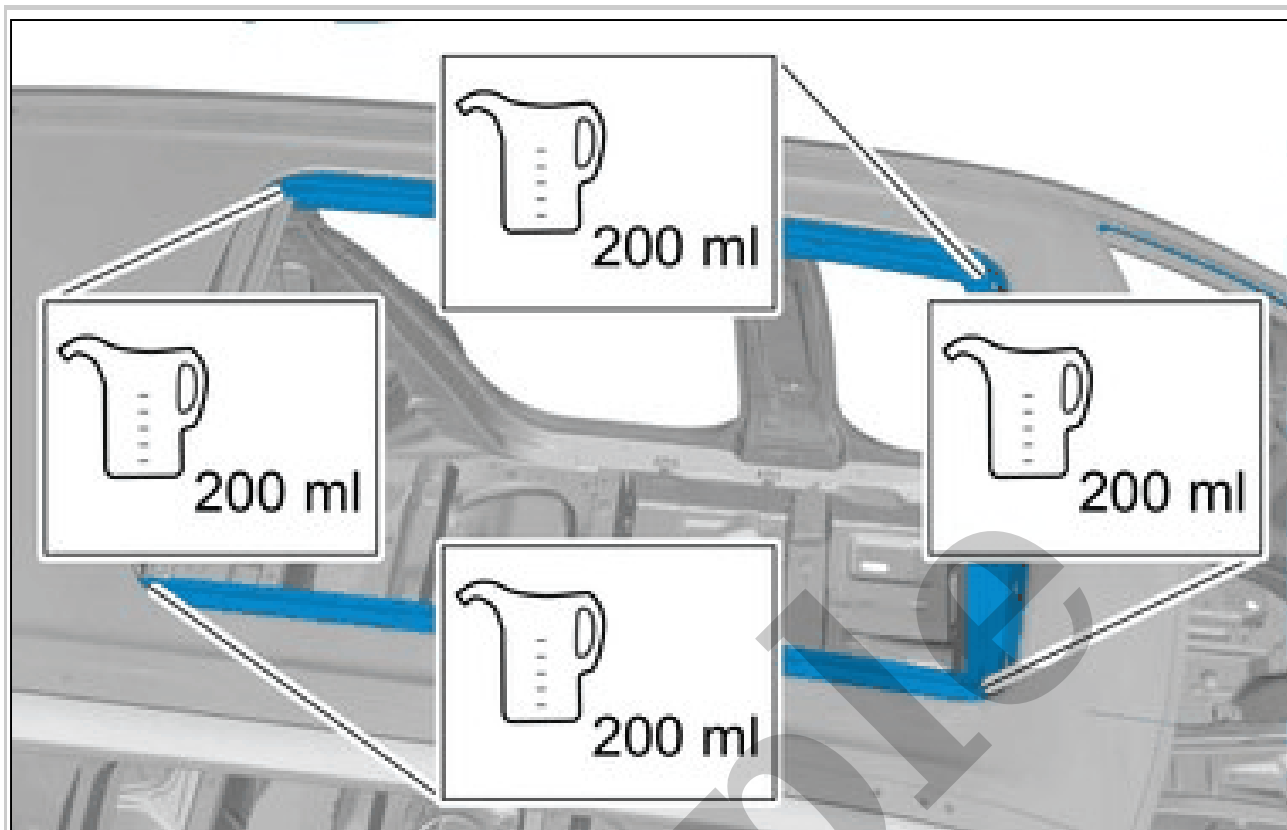
To install, reverse the removal procedure.



**WARNING:** The anti-trap function will not operate during the initialization procedure.

Set the vehicle to Drive mode, described in user mode. Refer to: USAGE MODE





Courtesy of VOLVO CARS CORPORATION

**NOTE:** Make sure that the hose is not blocked.