

Your Ultimate Source for OEM Repair Manuals

FactoryManuals.net is a great resource for anyone who wants to save money on repairs by doing their own work. The manuals provide detailed instructions and diagrams that make it easy to understand how to fix a vehicle.

2019 Toyota RAV4 Service and Repair Manual

[Go to manual page](#)

Last Modified: 07-26-2024	6.11:8.1.0	Doc ID: RM100000001JCSQ
Model Year Start: 2020	Model: Supra	Prod Date Range: [03/2019 -]
Title: DOOR / HATCH: HOOD: DISASSEMBLY; 2020 - 2025 MY Supra [03/2019 -]		

DISASSEMBLY

PROCEDURE

1. REMOVE HOOD MOULDING LH

Click here [INFO](#)

2. REMOVE HOOD MOULDING RH

HINT:

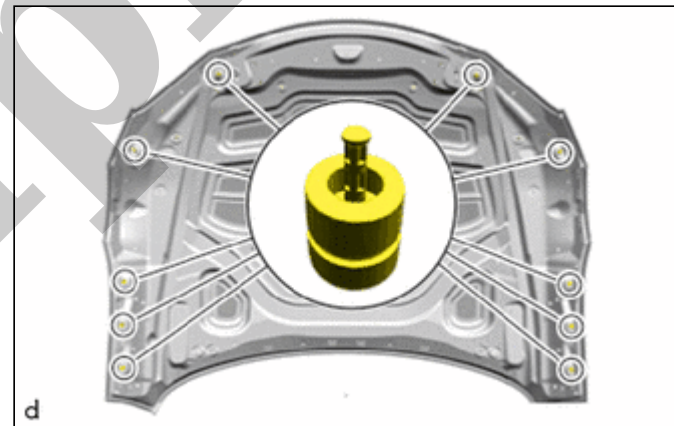
Use the same procedure as for the LH side.

3. REMOVE FRONT WASHER NOZZLE AND HOSE ASSEMBLY

Click here [INFO](#)

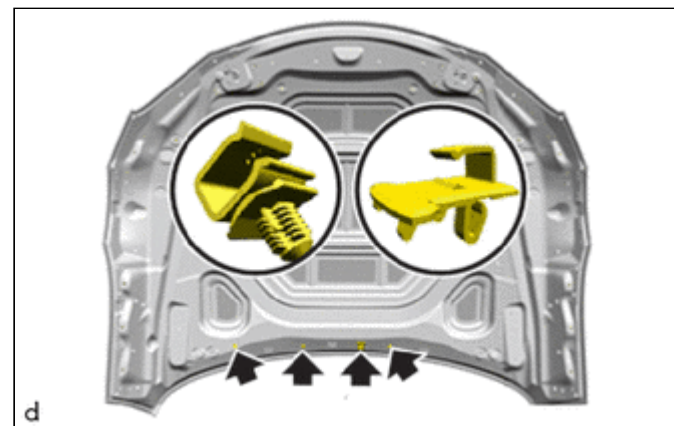
4. REMOVE CUSHION

(a) Remove all cushions.



5. REMOVE BRACKET FOR JET CHAIN

(a) Remove all brackets for jet chain.



6. REMOVE FRONT SIDE AIR GUIDE SUB-ASSEMBLY LH

Last Modified: 07-26-2024	6.11:8.1.0	Doc ID: RM100000001JCSS
Model Year Start: 2020	Model: Supra	Prod Date Range: [03/2019 -]
Title: DOOR / HATCH: HOOD: ADJUSTMENT; 2020 - 2025 MY Supra [03/2019 -]		

ADJUSTMENT

CAUTION / NOTICE / HINT

HINT:

Perform the operations on the left and right side.

PROCEDURE

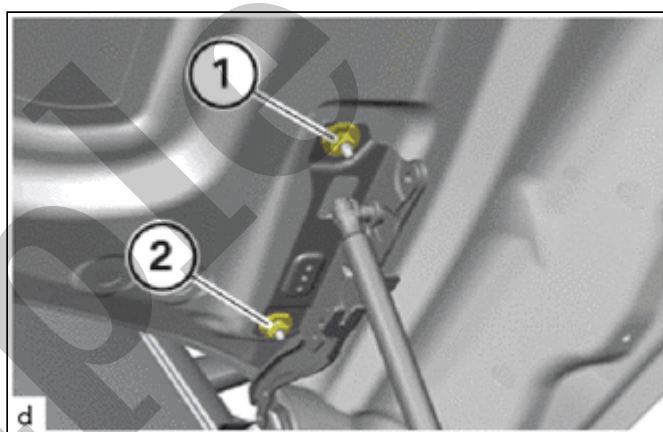
1. ADJUST HOOD SUB-ASSEMBLY

(a) Loosen nut (1) and (2) until the hood sub-assembly can be pushed.

HINT:

- The gap dimensions form the basis for these repair instructions and must be observed without fail.
- For more information see:

Click here [INFO](#)

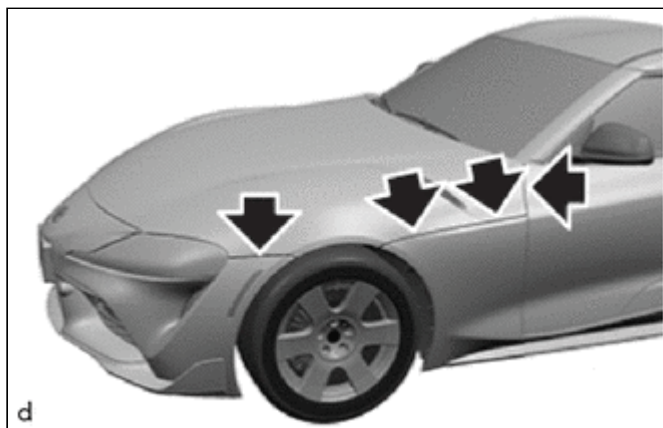


(b) Adjust gap dimensions.

HINT:

- Gap dimensions do not correspond to the specifications.
- Adjust the front compartment lid correctly.

(1) Check the gap dimensions (arrow) between the hood sub-assembly and the front doors.

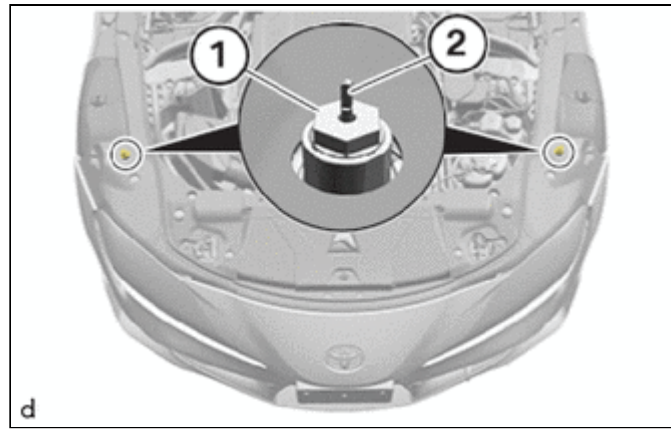


(2) Check the gap dimensions (arrows) between the hood sub-assembly and the front side panels.

(3) Check the gap dimensions (arrow) between the hood sub-assembly and the front bumper assembly.

(c) Tighten the nut (1) and (2).

Torque:



(h) Pull the pin (2) out approx. 15 mm (0.591 in.).

(i) Slowly close hood sub-assembly.

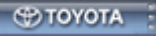
HINT:

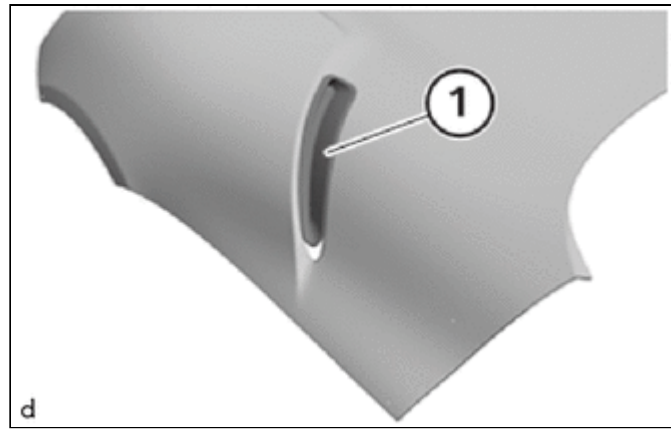
Pin (2) will be pressed into fender to hood bumper (1) while doing so.

(j) Raise hood sub-assembly.

(k) Unscrew fender to hood bumpers (1) until the fender to hood bumper (1) is flush with the upper edge of pin (2).

Sample





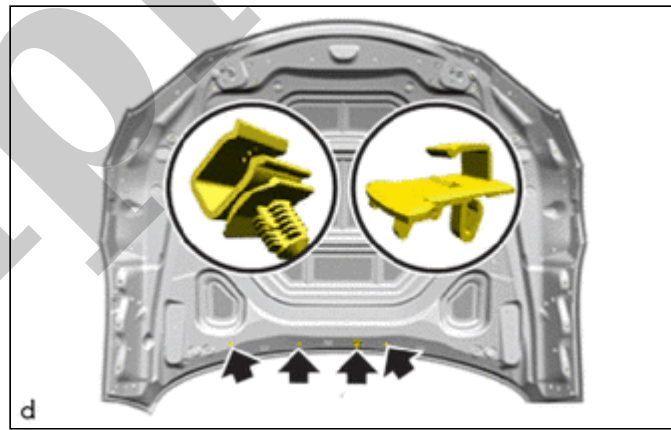
6. INSTALL FRONT SIDE AIR GUIDE SUB-ASSEMBLY RH

HINT:

Perform the operations on the left and right side.

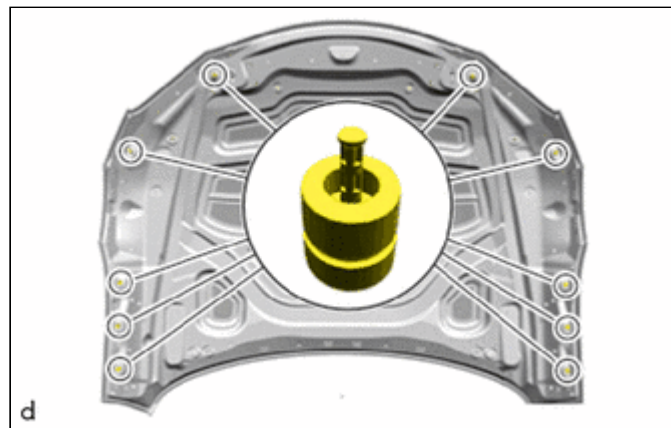
7. INSTALL BRACKET FOR JET CHAIN

(a) Install all brackets for jet chain.



8. INSTALL CUSHION

(a) Install all cushions.



9. ADJUST HOOD SUB-ASSEMBLY

Click here [INFO](#)