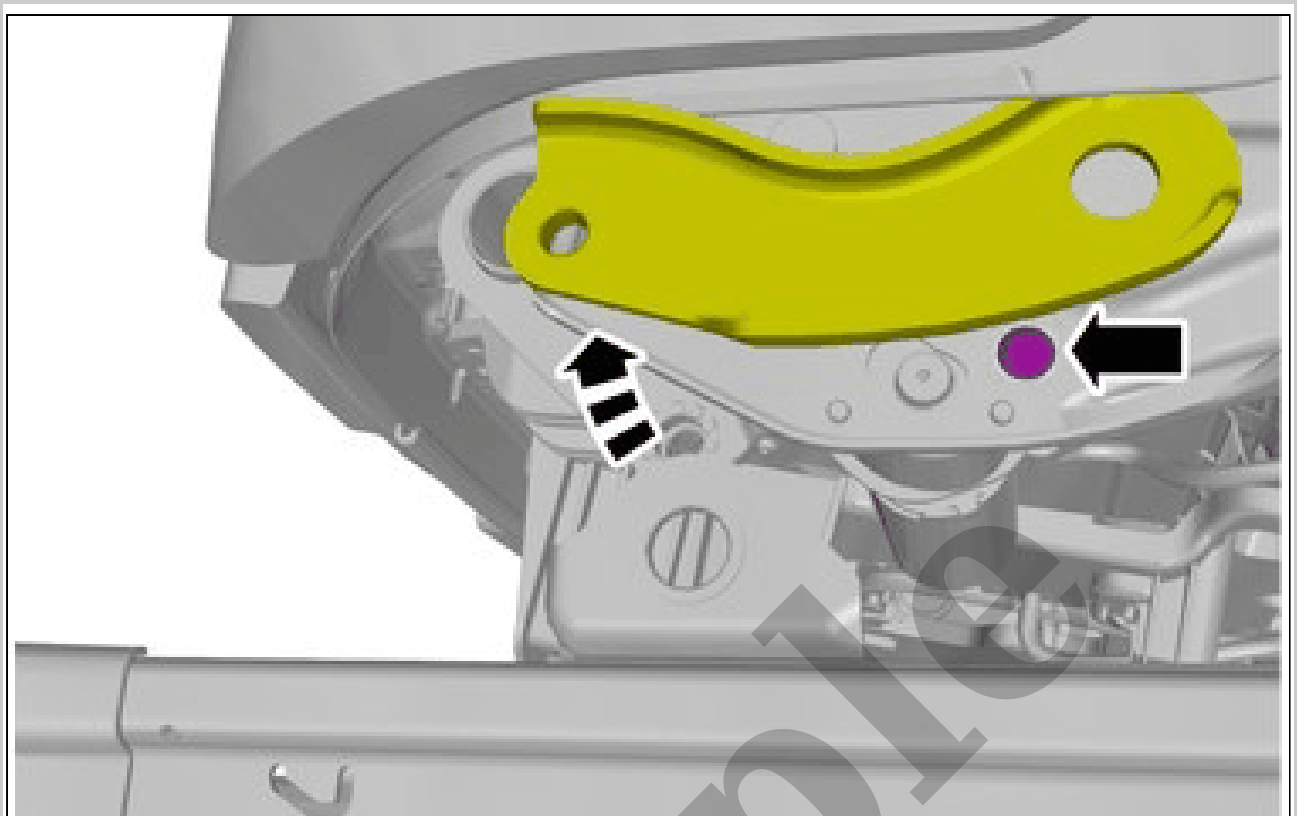


Your Ultimate Source for OEM Repair Manuals

FactoryManuals.net is a great resource for anyone who wants to save money on repairs by doing their own work. The manuals provide detailed instructions and diagrams that make it easy to understand how to fix a vehicle.

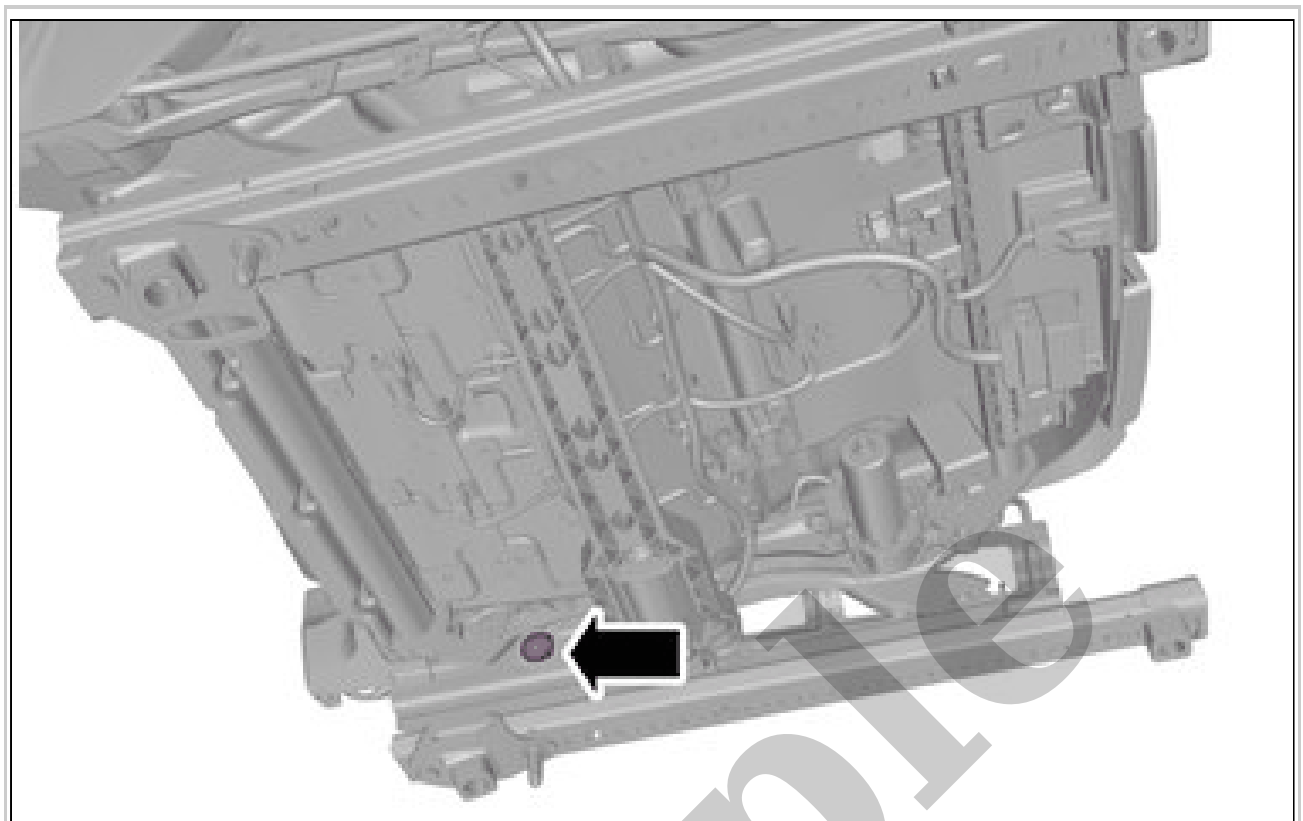
Volvo XC90 2018 Manual - Complete Service & Repair

[Go to manual page](#)



Courtesy of VOLVO CARS CORPORATION

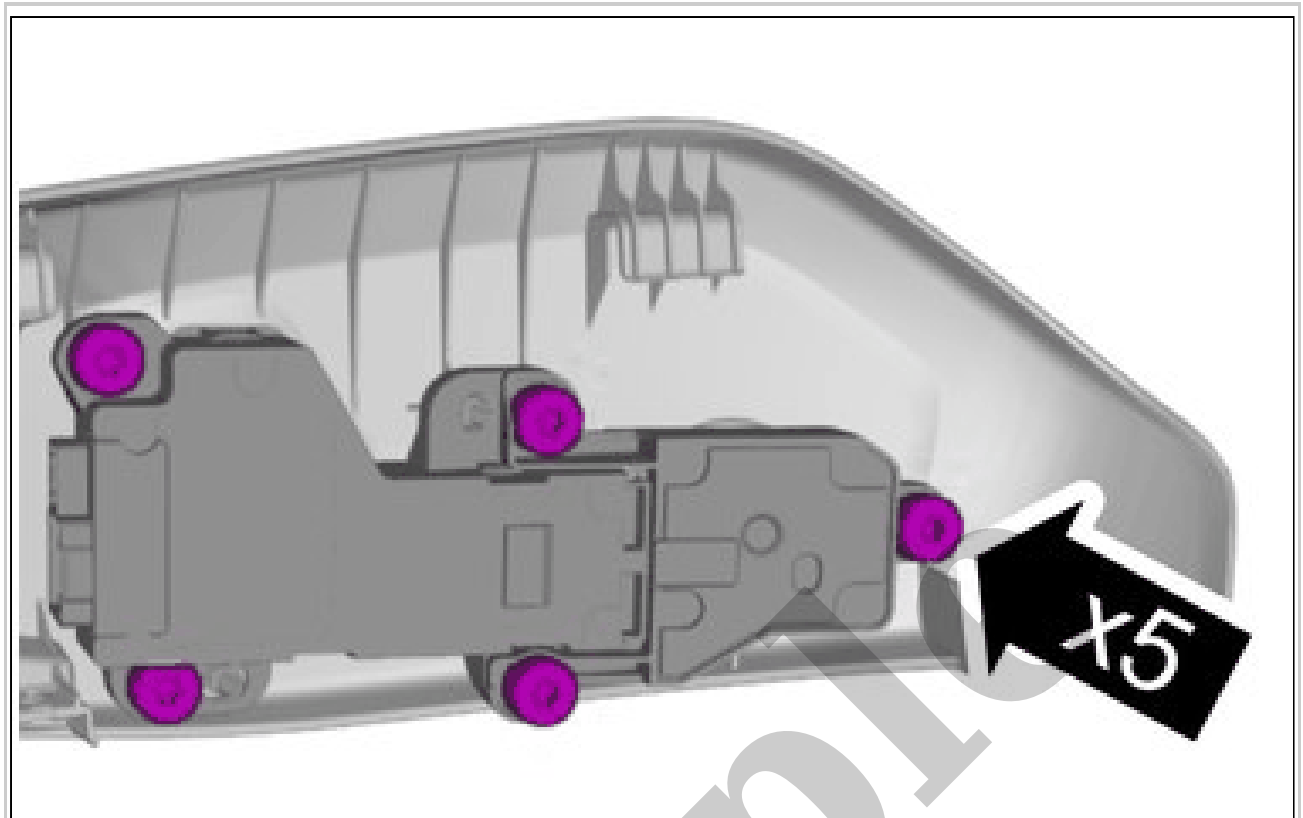
Fold marked part aside.
Remove the screw.



Courtesy of VOLVO CARS CORPORATION

Remove the screw.

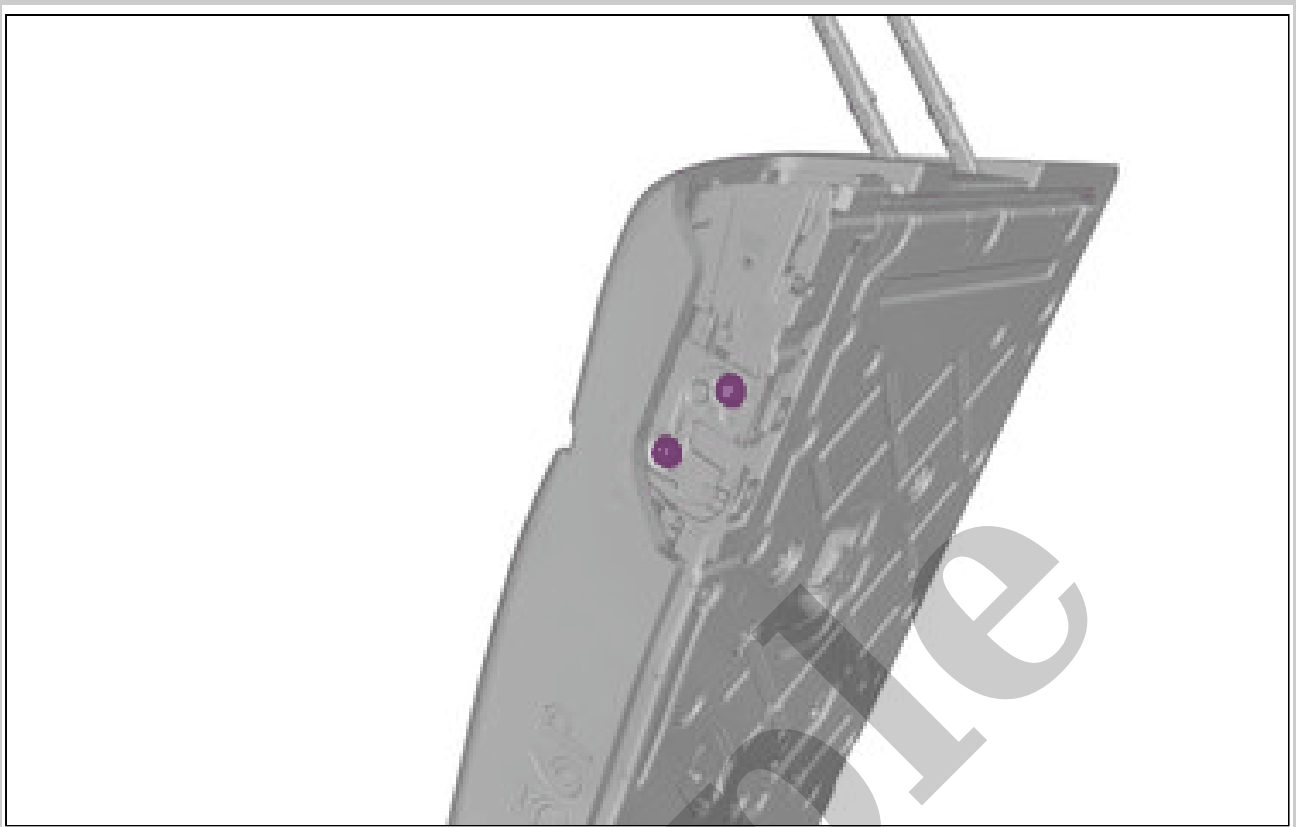
Torque: Seat track, to seat, 40Nm



Courtesy of VOLVO CARS CORPORATION

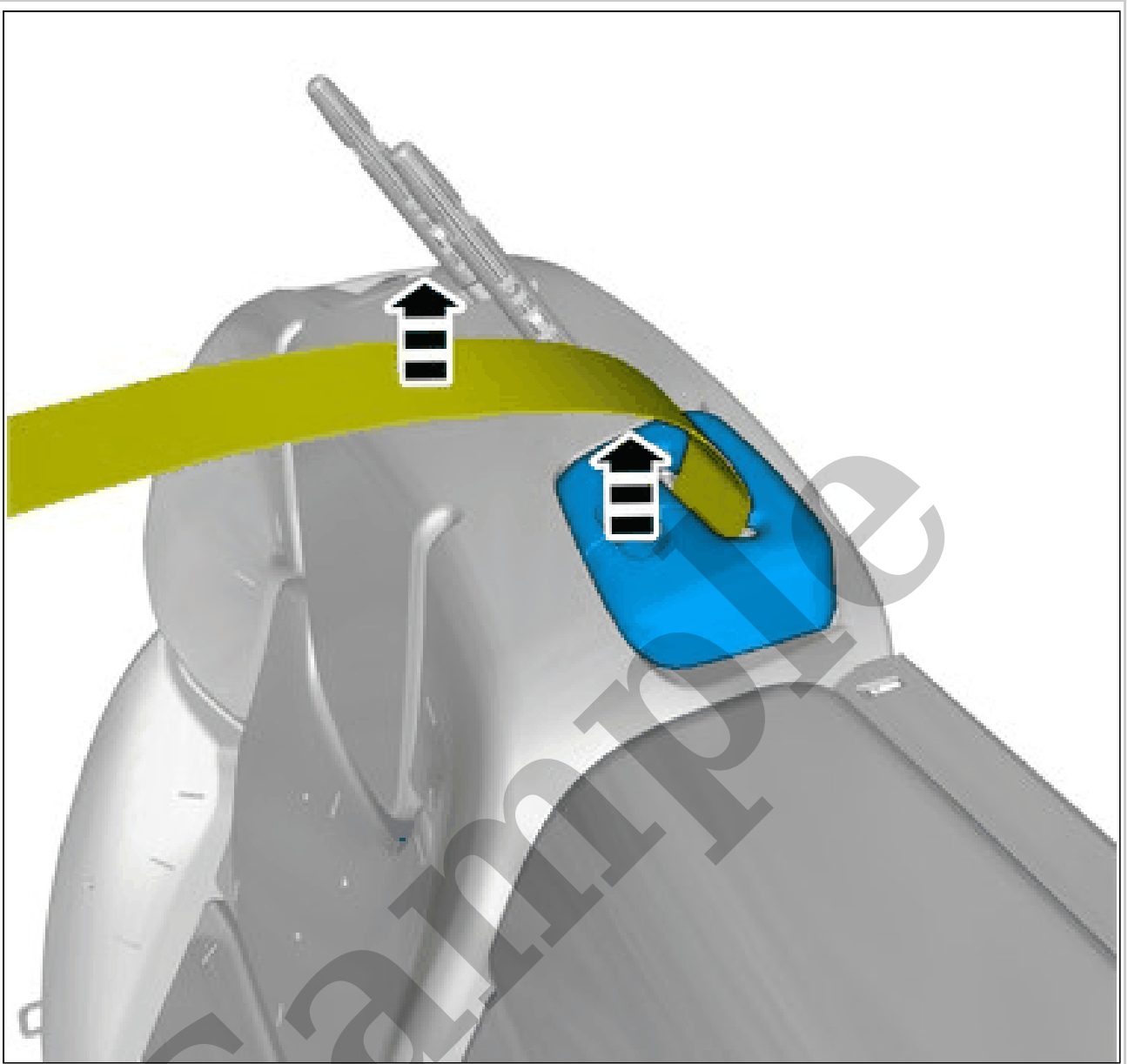
Loosen the screws.

Sample



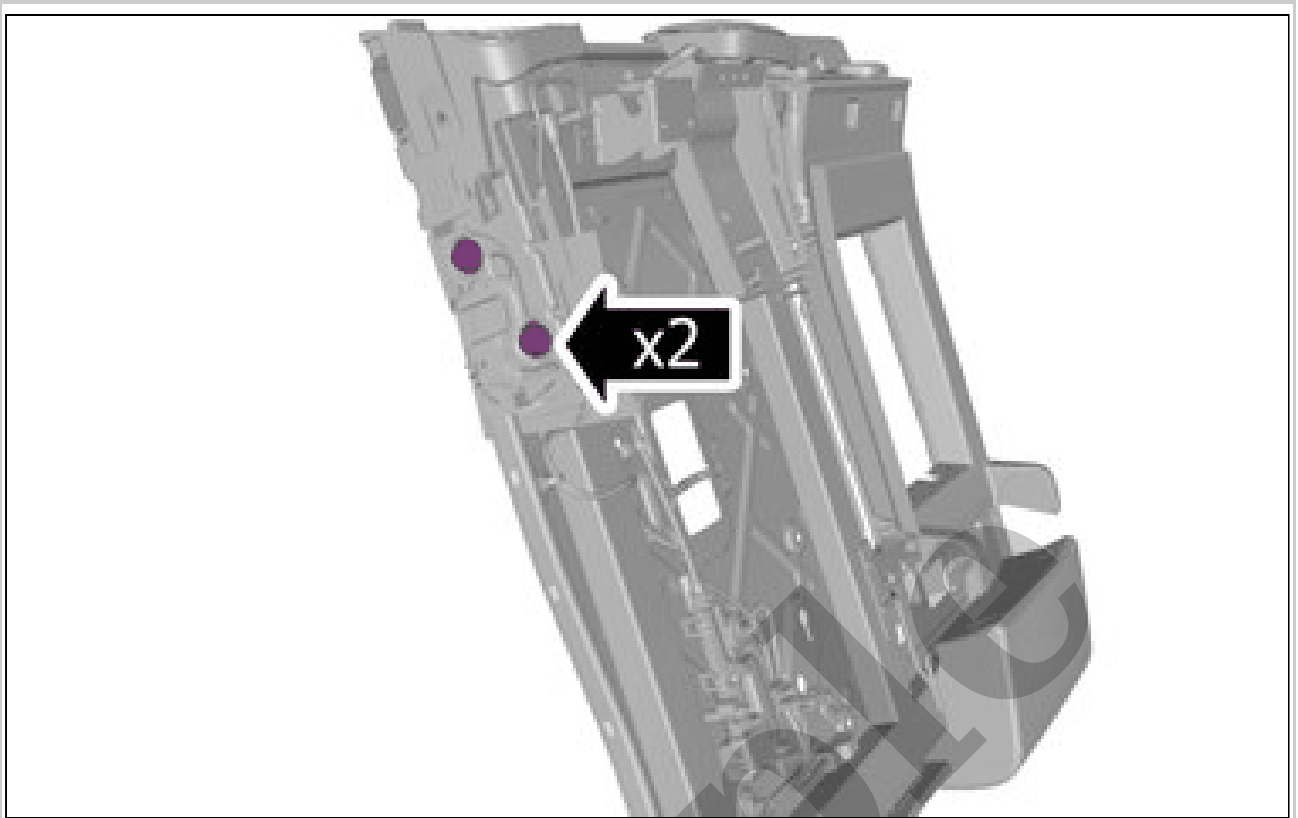
Courtesy of VOLVO CARS CORPORATION

Remove the screws.



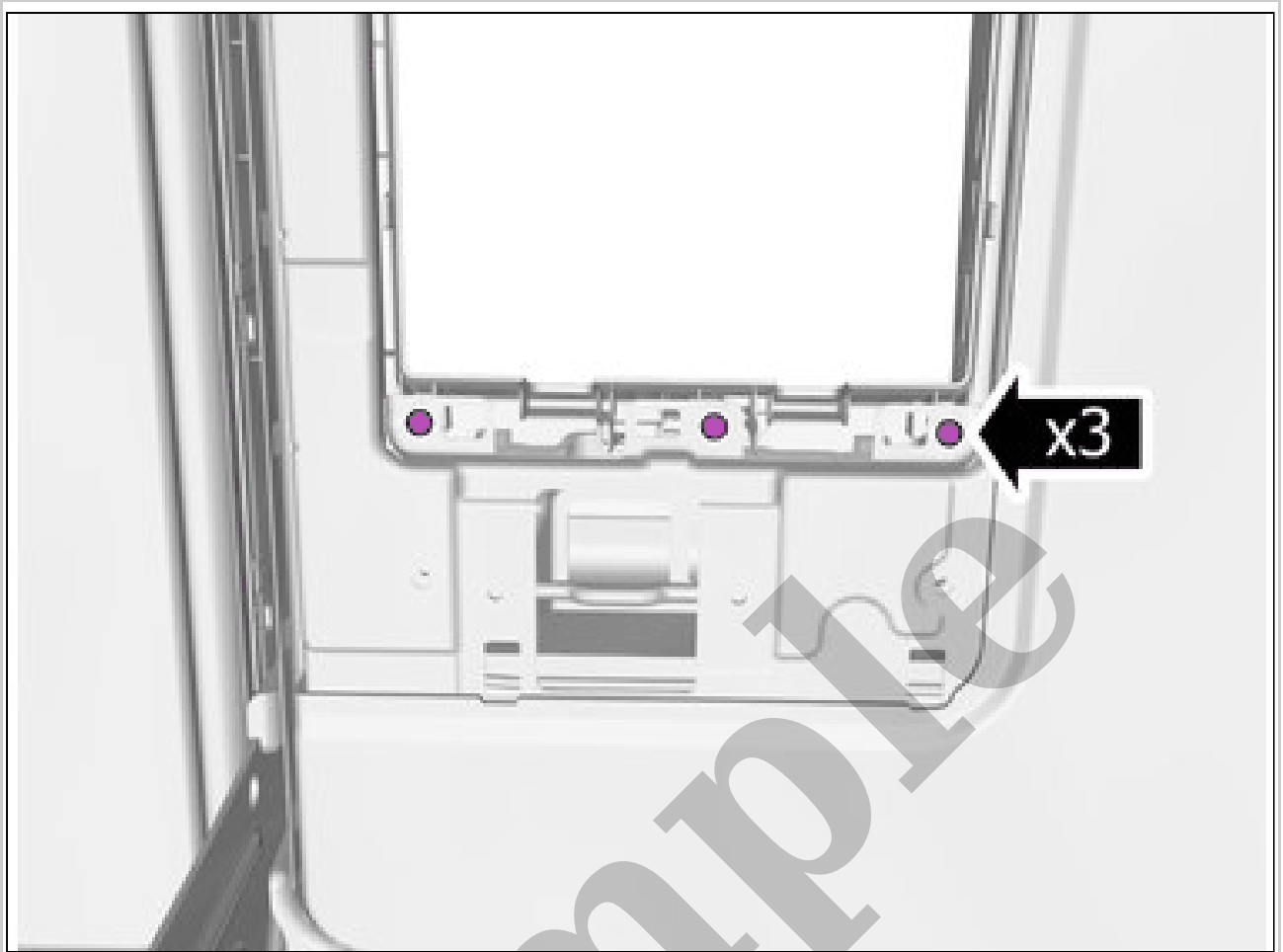
Courtesy of VOLVO CARS CORPORATION

Remove the marked part.



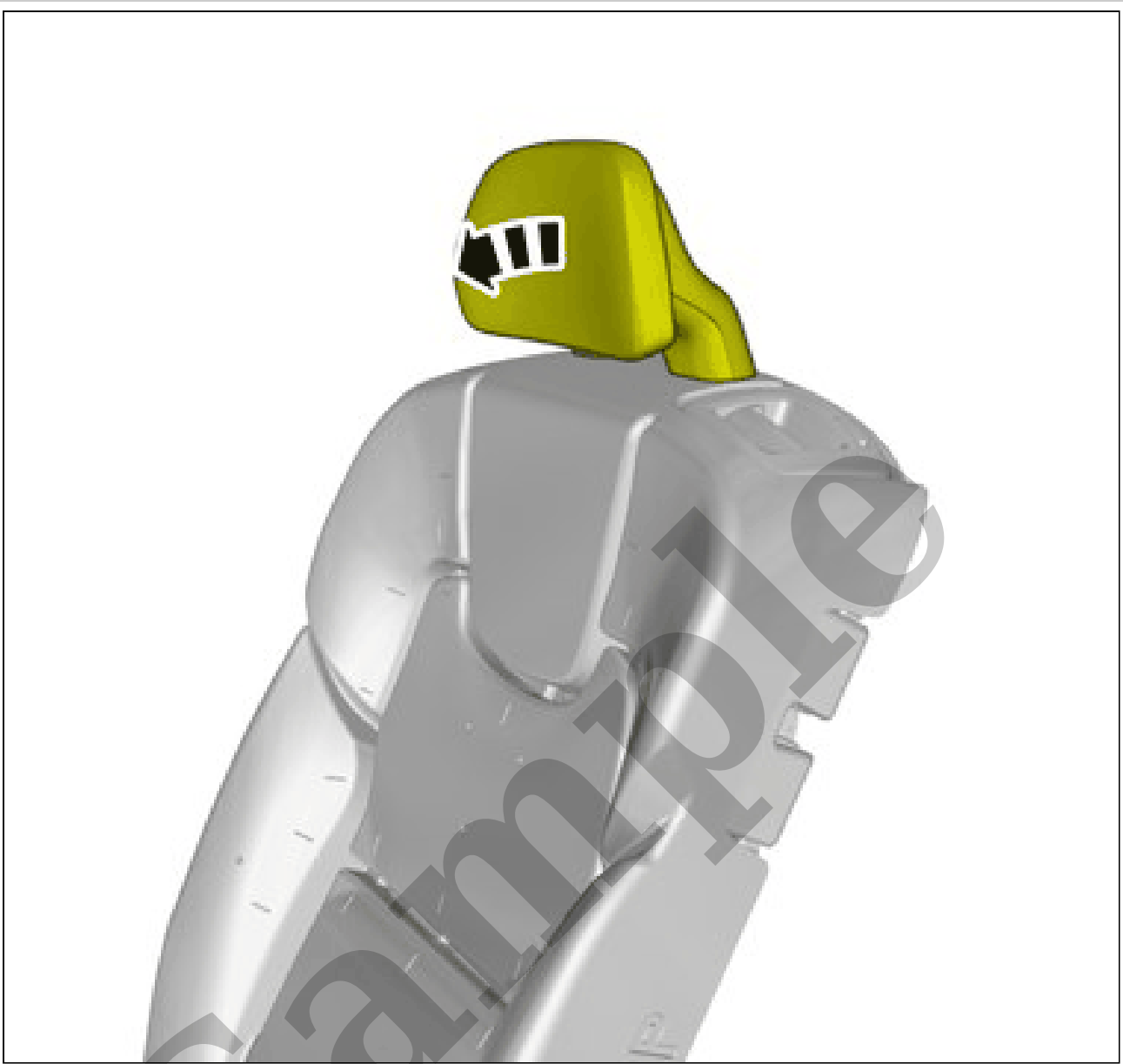
Courtesy of VOLVO CARS CORPORATION

Remove the screws.

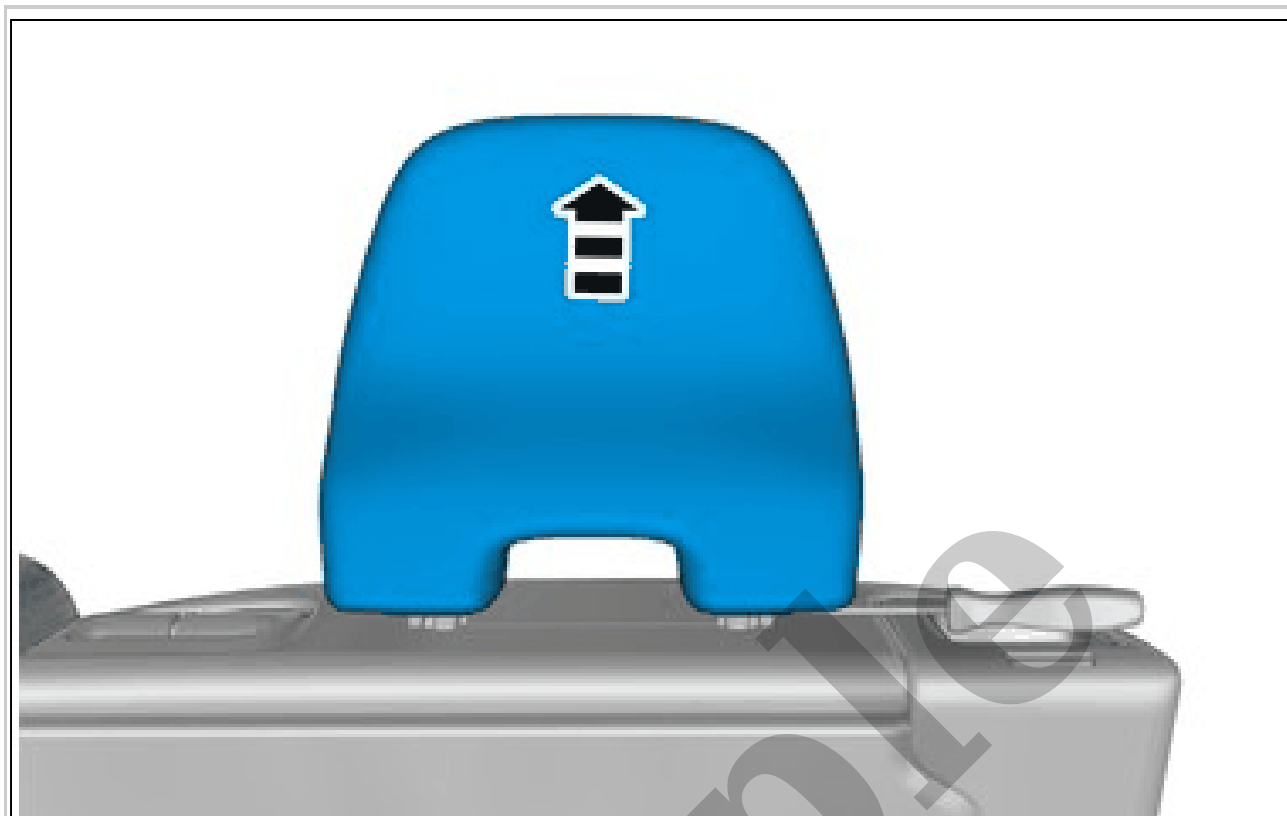


Courtesy of VOLVO CARS CORPORATION

Remove the screws.



Courtesy of VOLVO CARS CORPORATION



Courtesy of VOLVO CARS CORPORATION

Remove the marked part.

**HEAD RESTRAINT, SECOND SEAT ROW > HEAD RESTRAINT, SECOND SEAT ROW
[2018-2022] > REMOVAL > CONCERNS CENTER POSITION**