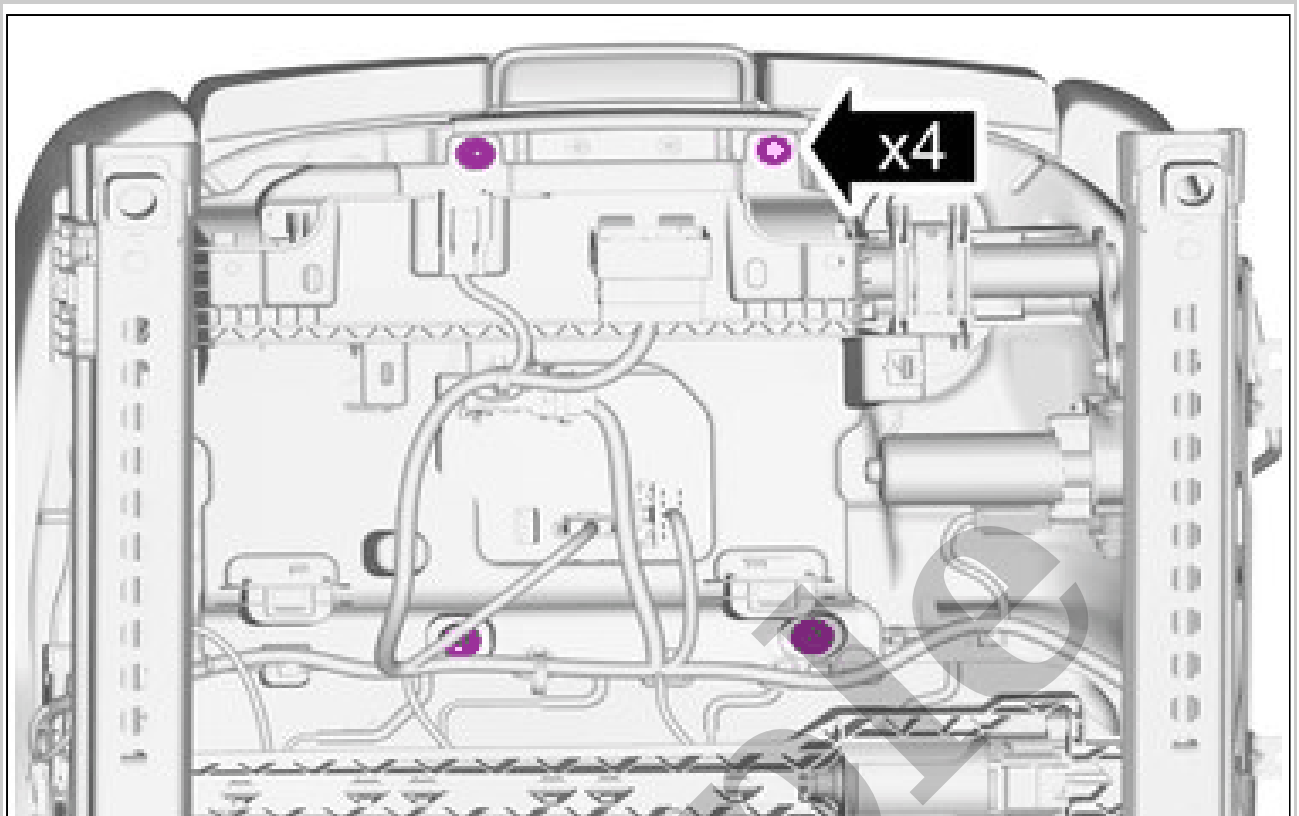


Your Ultimate Source for OEM Repair Manuals

FactoryManuals.net is a great resource for anyone who wants to save money on repairs by doing their own work. The manuals provide detailed instructions and diagrams that make it easy to understand how to fix a vehicle.

2018 VOLVO XC40 OEM Service and Repair Workshop Manual

[Go to manual page](#)



Courtesy of VOLVO CARS CORPORATION

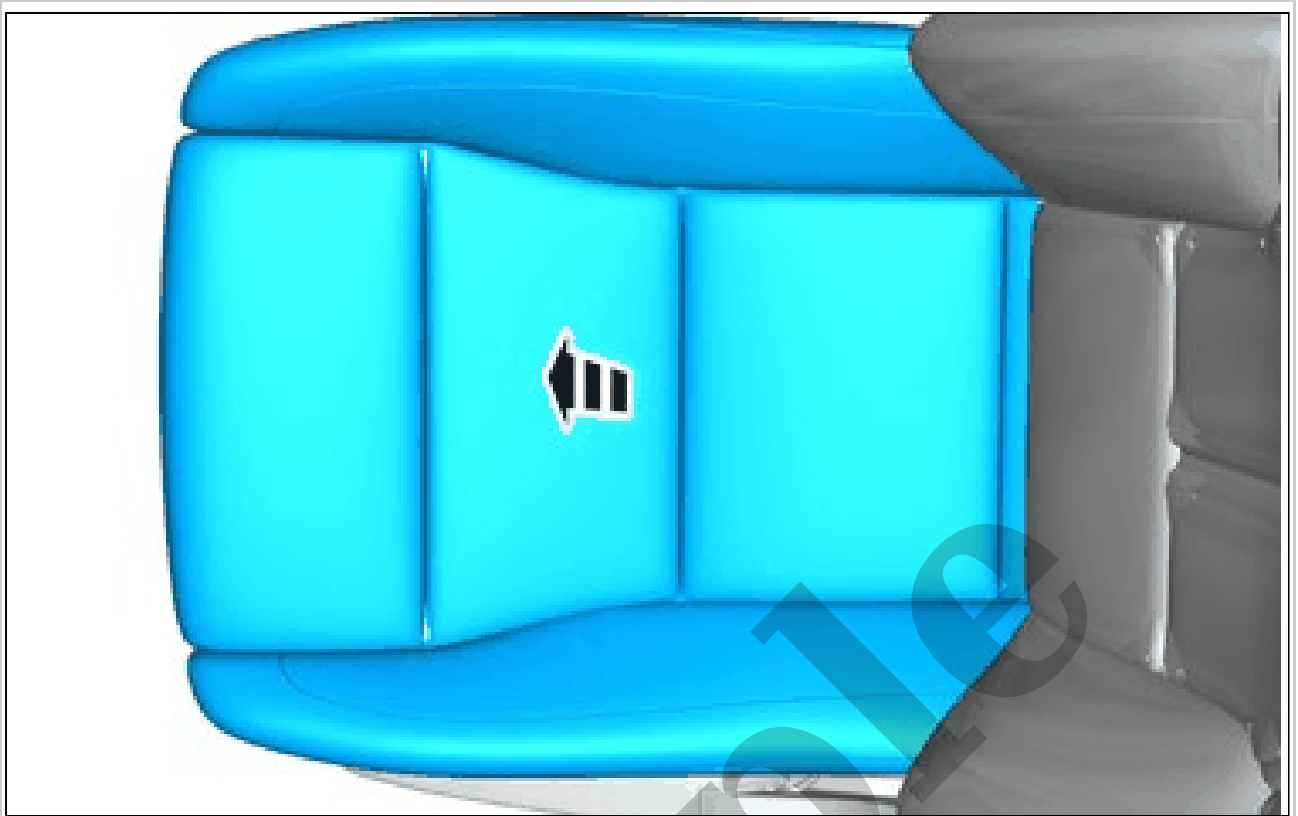
Remove the screws.

Remove the fasteners.
Use suitable nippers
Special Tool: 115 8962 CRIMP PLIERS
On both sides.



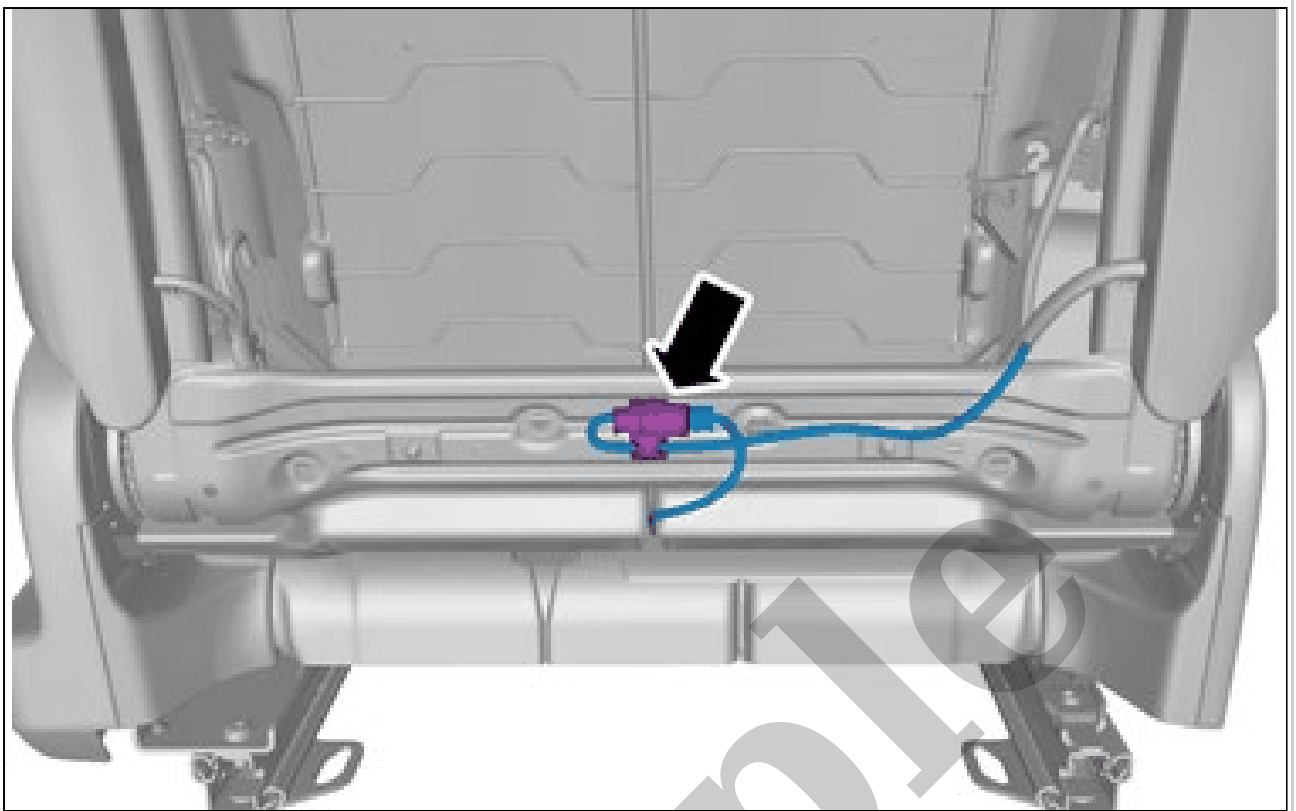
Courtesy of VOLVO CARS CORPORATION

Unhook and remove the upholstery.



Courtesy of VOLVO CARS CORPORATION

Remove the upholstery.



Courtesy of VOLVO CARS CORPORATION

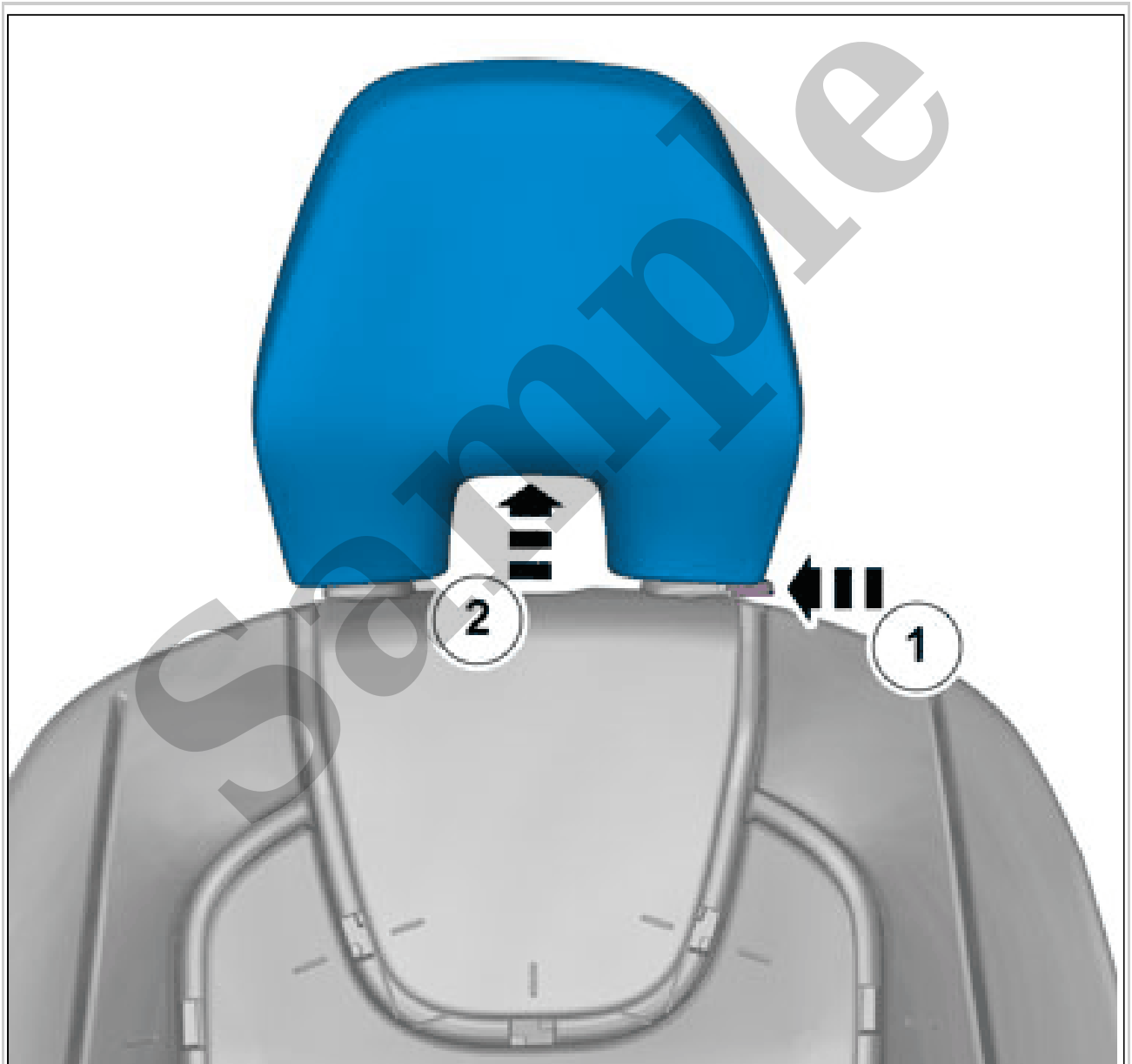
Remove the cable harness clips.
Remove the marked part.

Remove the screw.
Remove the marked part.

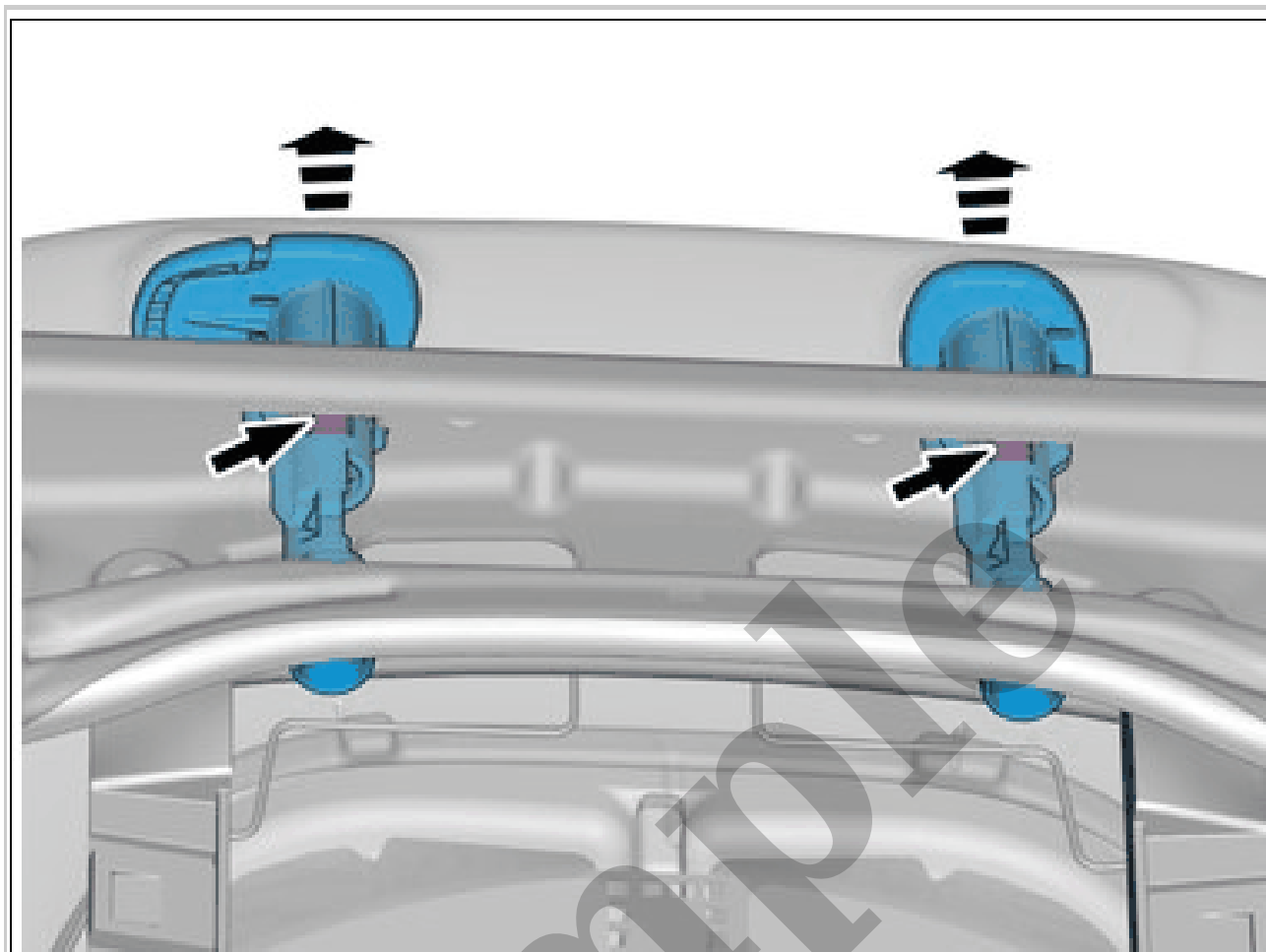
FRONT SEAT HEIGHT ADJUSTMENT LINK ROD > FRONT SEAT HEIGHT ADJUSTMENT LINK ROD [2018-2022] > INSTALLATION

To install, reverse the removal procedure.

HEAD RESTRAINT FRONT SEAT > HEAD RESTRAINT FRONT SEAT [2018-2022] > REMOVAL



Courtesy of VOLVO CARS CORPORATION



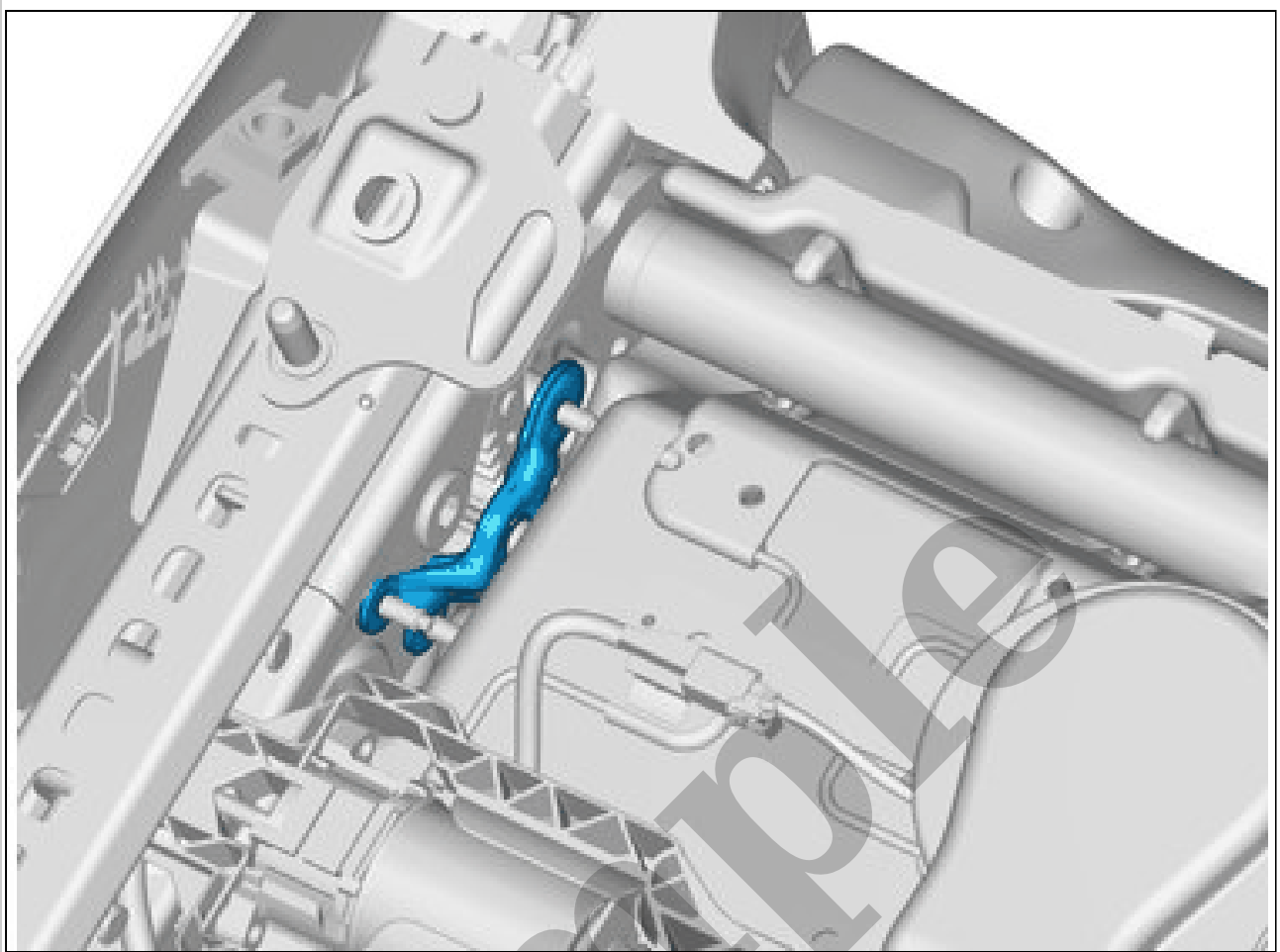
Courtesy of VOLVO CARS CORPORATION

Depress the locking devices.
Remove the marked parts.

HEAD RESTRAINT FRONT SEAT > HEAD RESTRAINT FRONT SEAT [2018-2022] > INSTALLATION

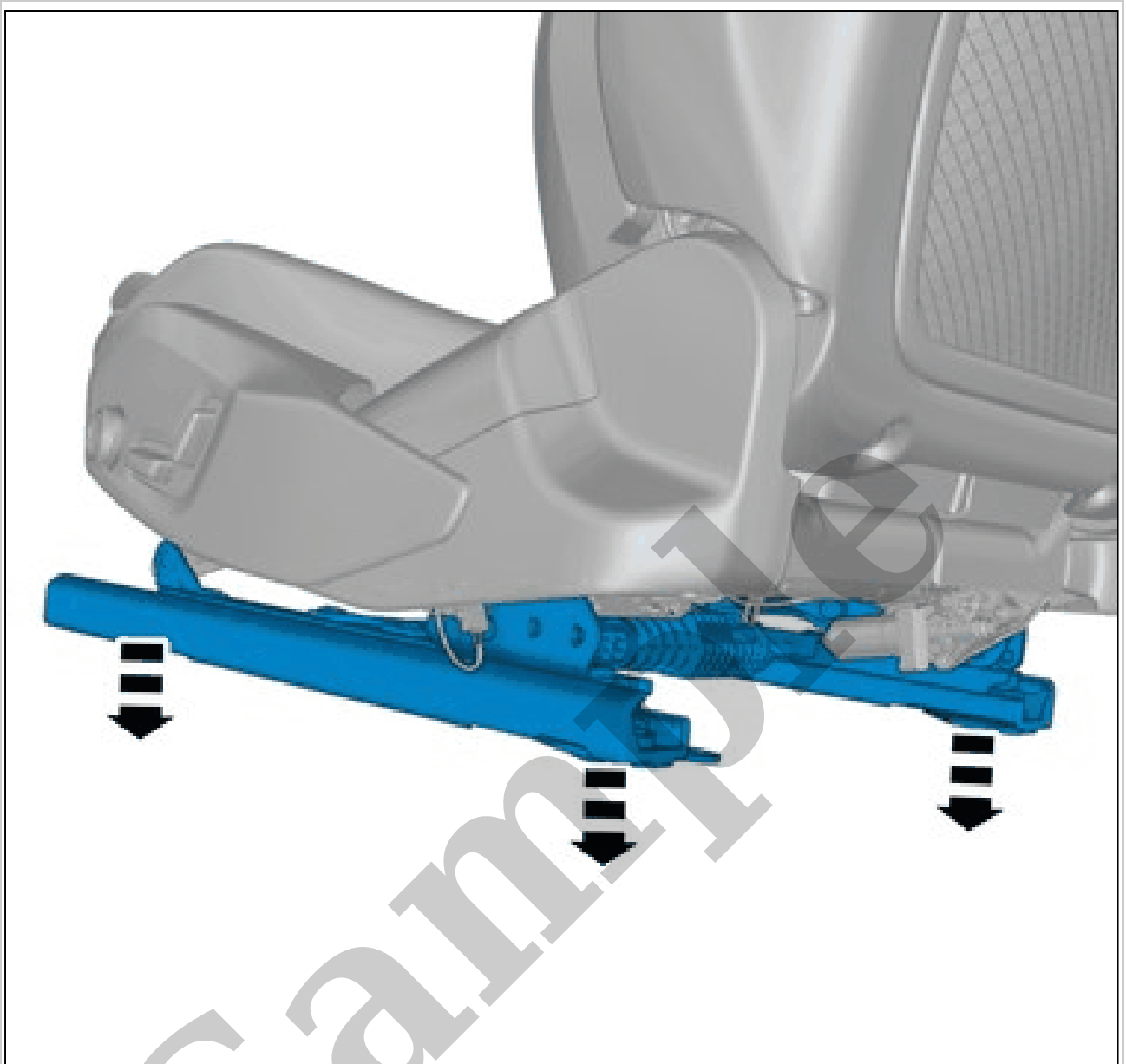
To install, reverse the removal procedure.

LUMBAR SUPPORT FRONT SEAT > LUMBAR SUPPORT FRONT SEAT [2018-2022] > REMOVAL > VEHICLES LATE VERSION



Courtesy of VOLVO CARS CORPORATION

Remove the marked part.



Courtesy of VOLVO CARS CORPORATION

Remove the marked part.



Courtesy of VOLVO CARS CORPORATION

Torque: Front seat to body, 40Nm
Loosen the screws.