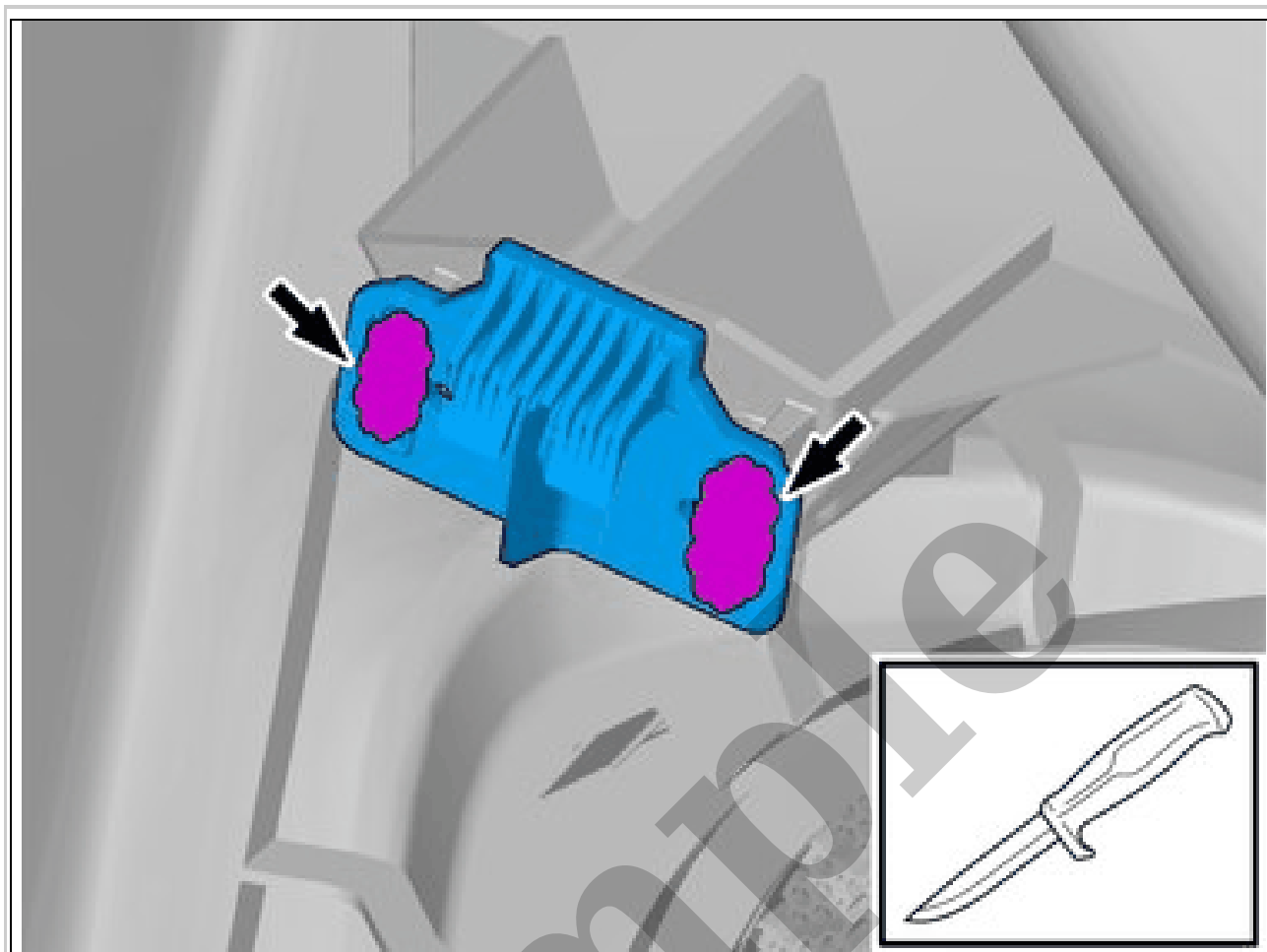


Your Ultimate Source for OEM Repair Manuals

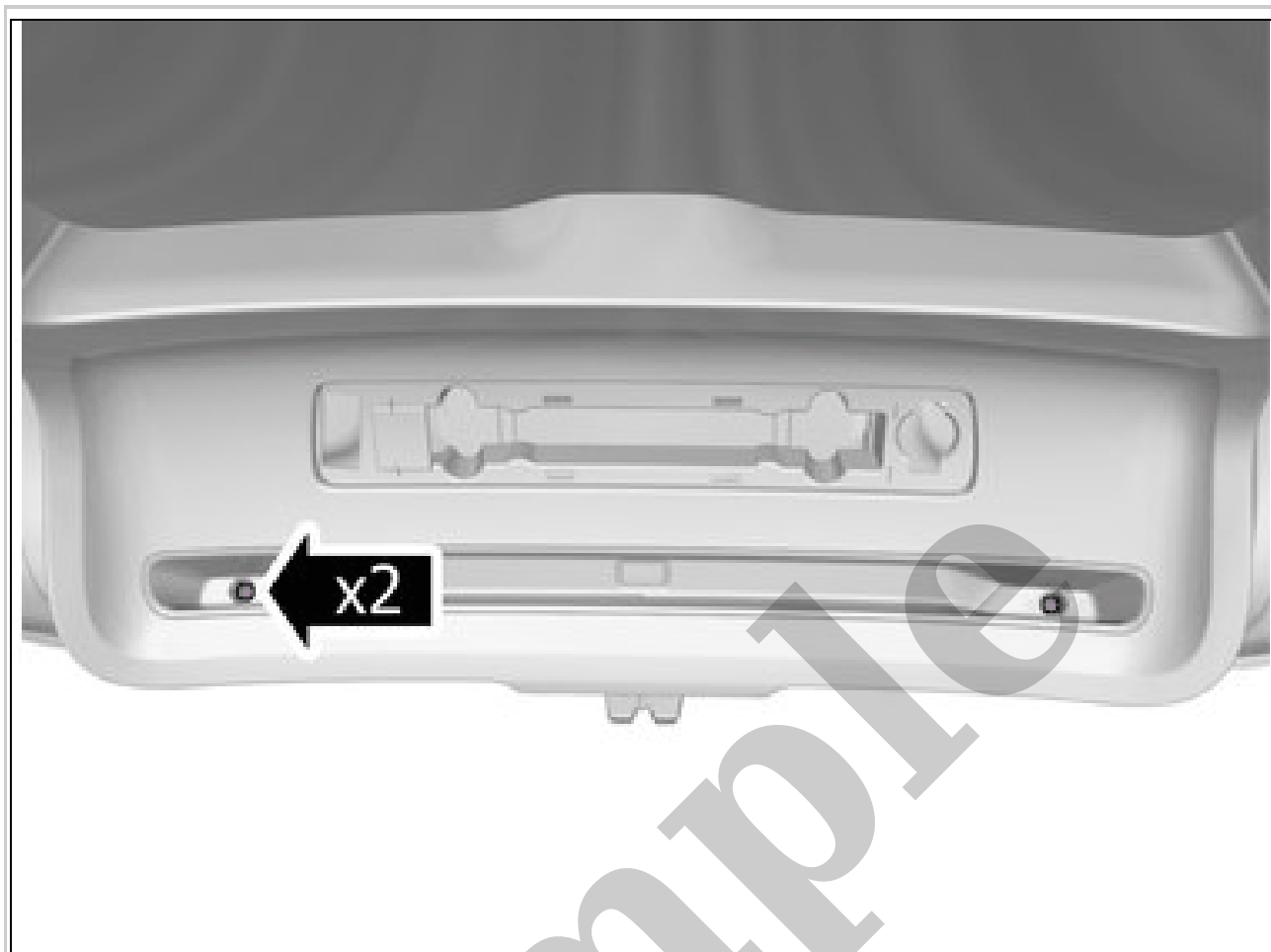
FactoryManuals.net is a great resource for anyone who wants to save money on repairs by doing their own work. The manuals provide detailed instructions and diagrams that make it easy to understand how to fix a vehicle.

Volvo V90 Manual 2018 - Workshop Service & Repair Guide

[Go to manual page](#)

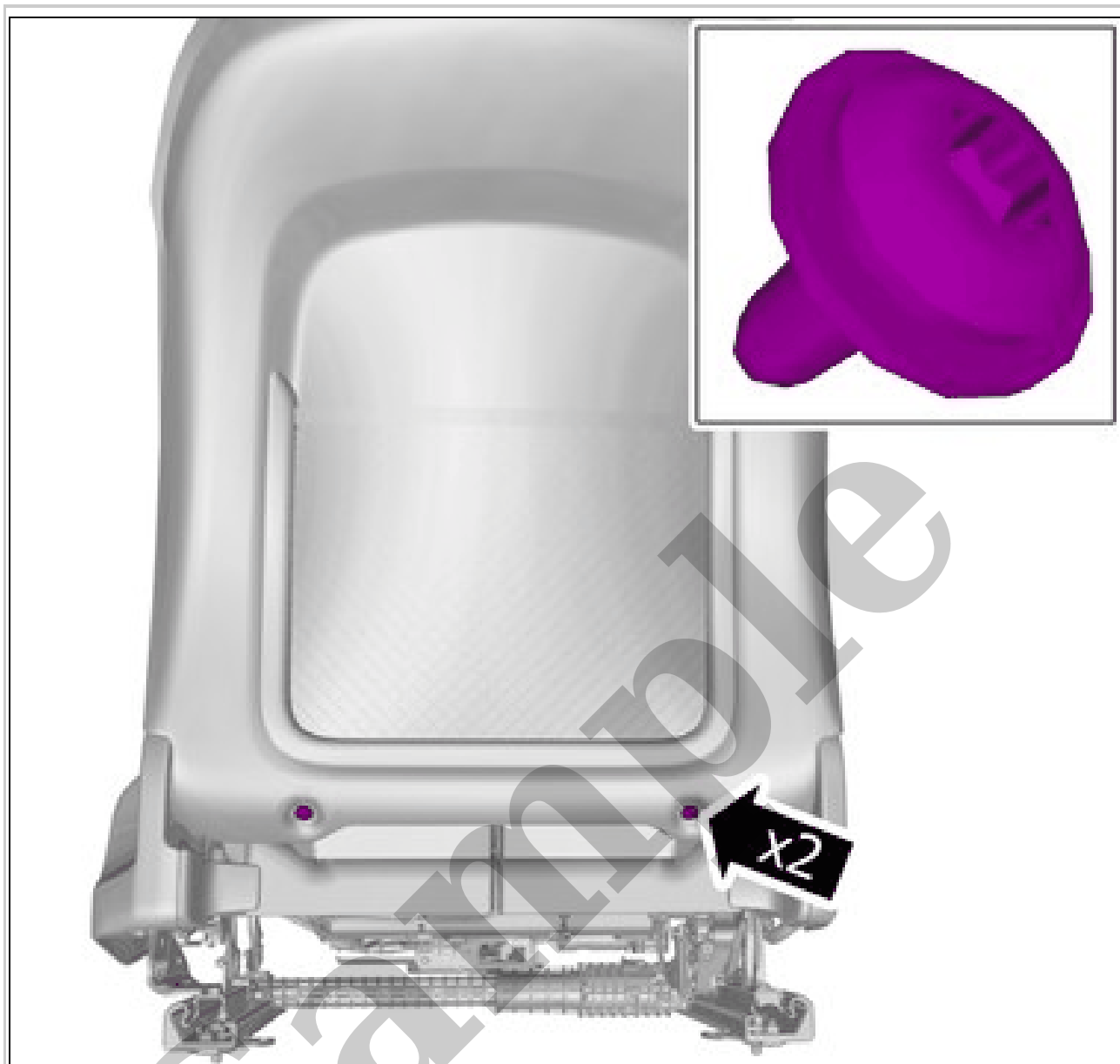


Courtesy of VOLVO CARS CORPORATION



Courtesy of VOLVO CARS CORPORATION

Remove the screws.



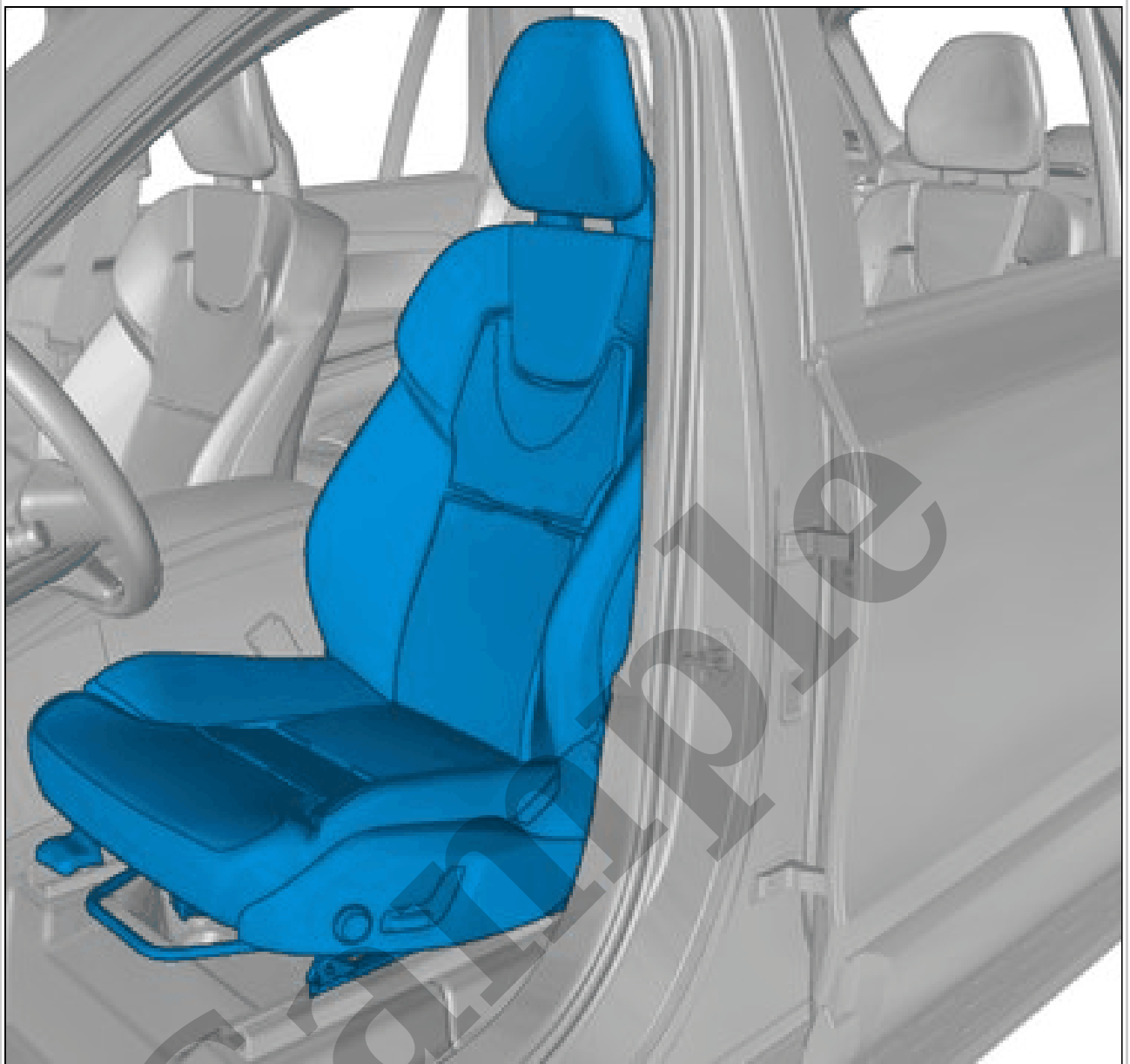
Courtesy of VOLVO CARS CORPORATION

Remove the screws.
ORIENTATION VIEW



Courtesy of VOLVO CARS CORPORATION

Remove the screws.

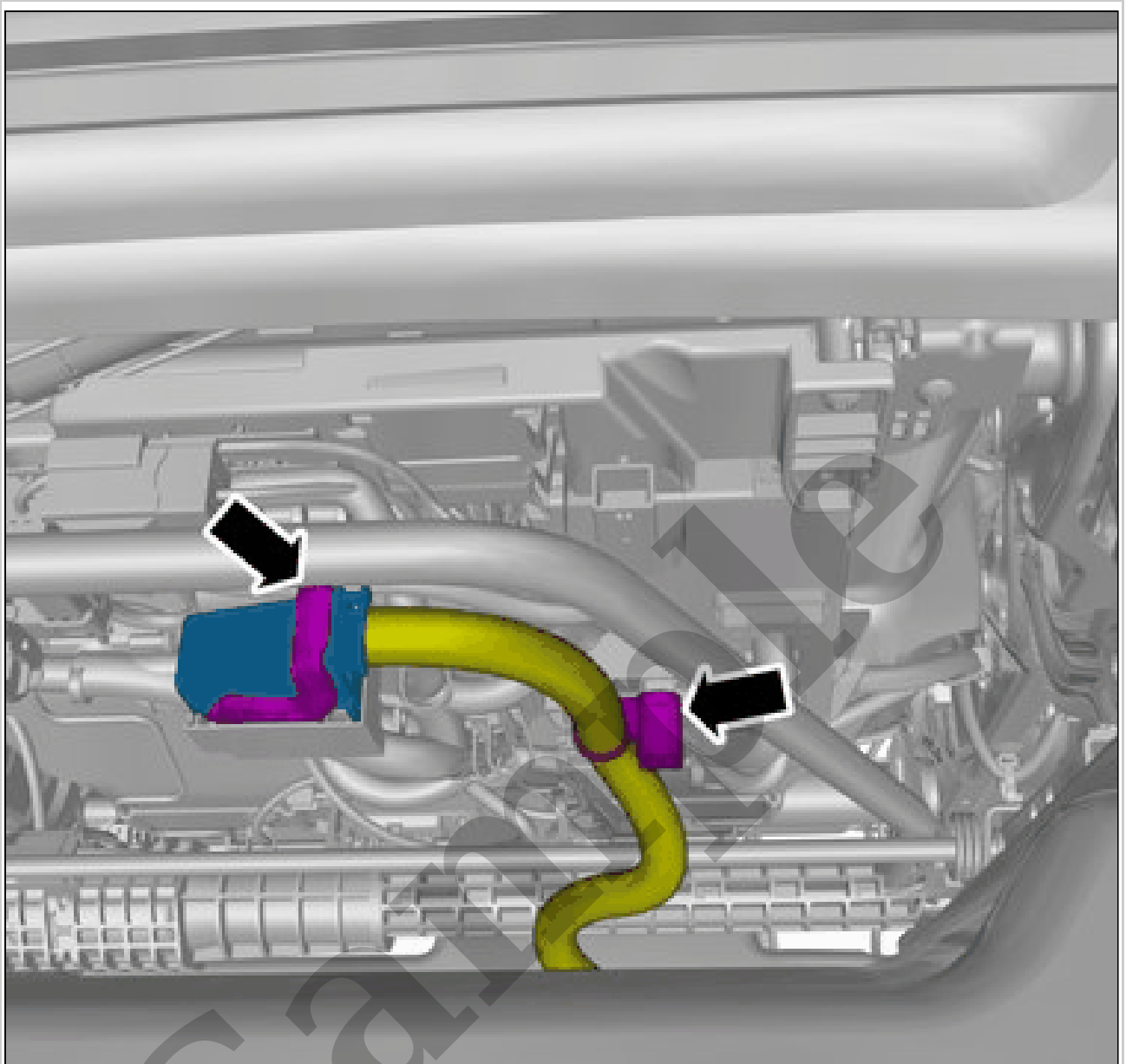


Courtesy of VOLVO CARS CORPORATION

HINT: This step may require the aid of another technician.
Remove the marked part.

FRONT SEAT > FRONT SEAT [2018-2022] > INSTALLATION

NOTE: Make sure to follow the sequence indicated.

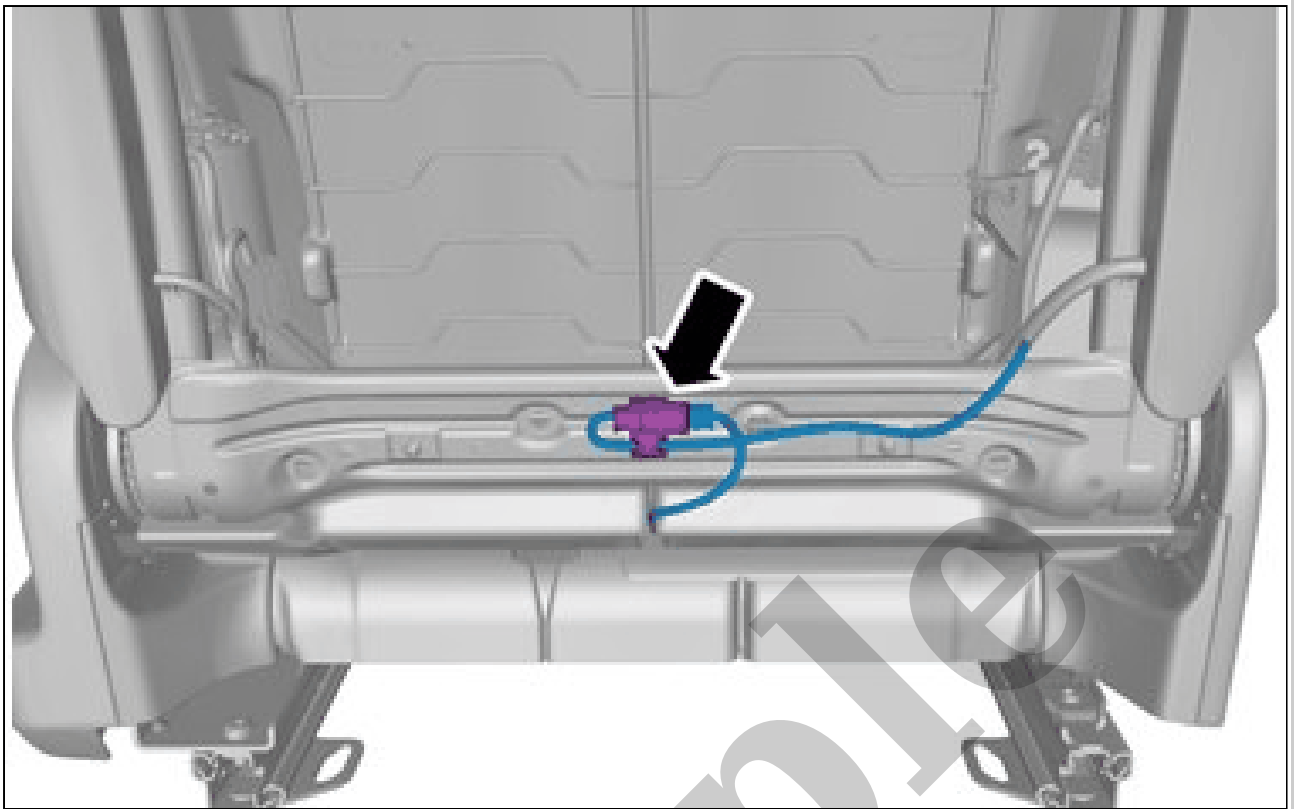


Courtesy of VOLVO CARS CORPORATION

Connect the connector.

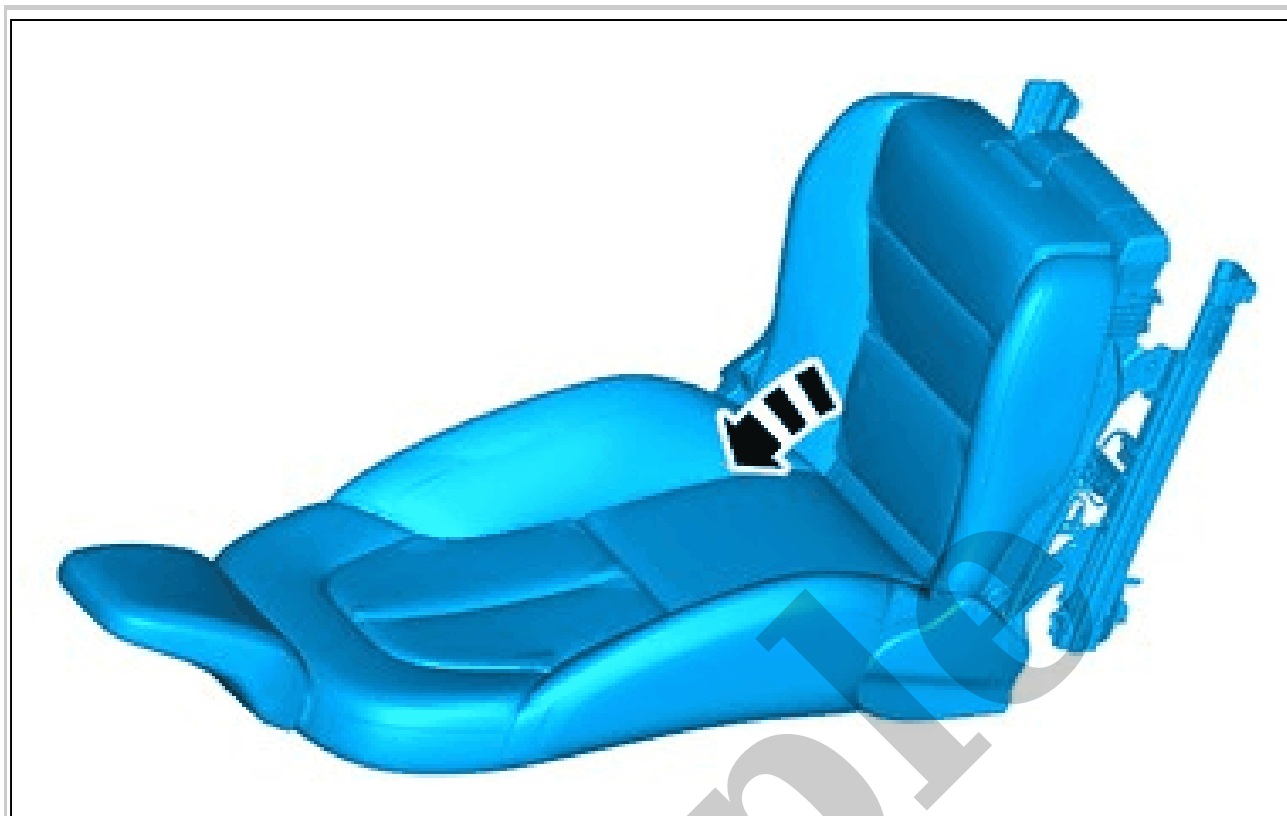
Install fastener.

Set the vehicle to Inactive mode, described in user mode. Refer to: USAGE MODE



Courtesy of VOLVO CARS CORPORATION

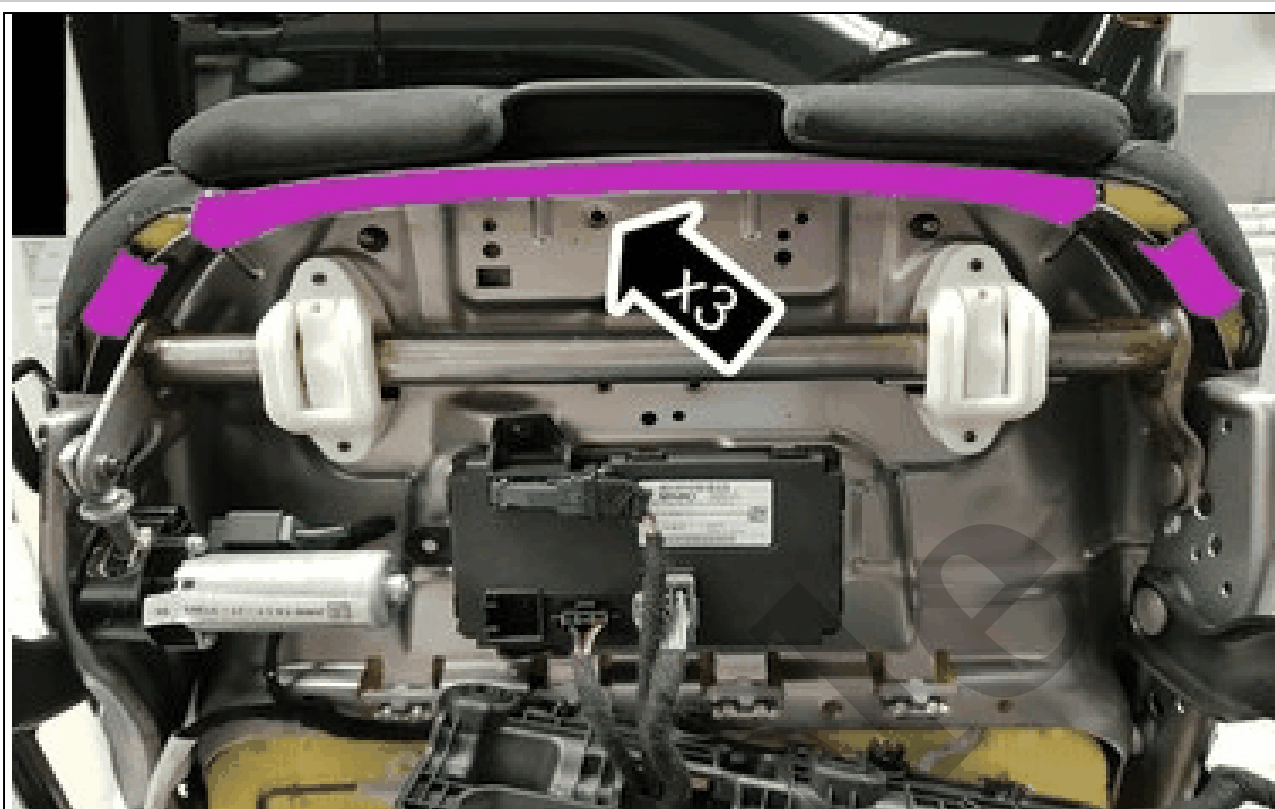
Disconnect the connector.



Courtesy of VOLVO CARS CORPORATION

CAUTION: *Place the component on a suitable underlay or support.*

Remove side panel front seat. Refer to: SIDE PANEL FRONT SEAT



Courtesy of VOLVO CARS CORPORATION

Unhook and remove the upholstery.

**FRONT SEAT CUSHION > FRONT SEAT CUSHION [2018-2022] > REMOVAL >
VEHICLES WITHOUT SEAT CUSHION EXTENSION**