

Your Ultimate Source for OEM Repair Manuals

FactoryManuals.net is a great resource for anyone who wants to save money on repairs by doing their own work. The manuals provide detailed instructions and diagrams that make it easy to understand how to fix a vehicle.

2018 Volvo V90 Cross Country Service and Repair Manual

[Go to manual page](#)

SPECIAL TOOLS



Courtesy of VOLVO CARS CORPORATION

951 3059 Disarming kit

Tool number: 951 3059

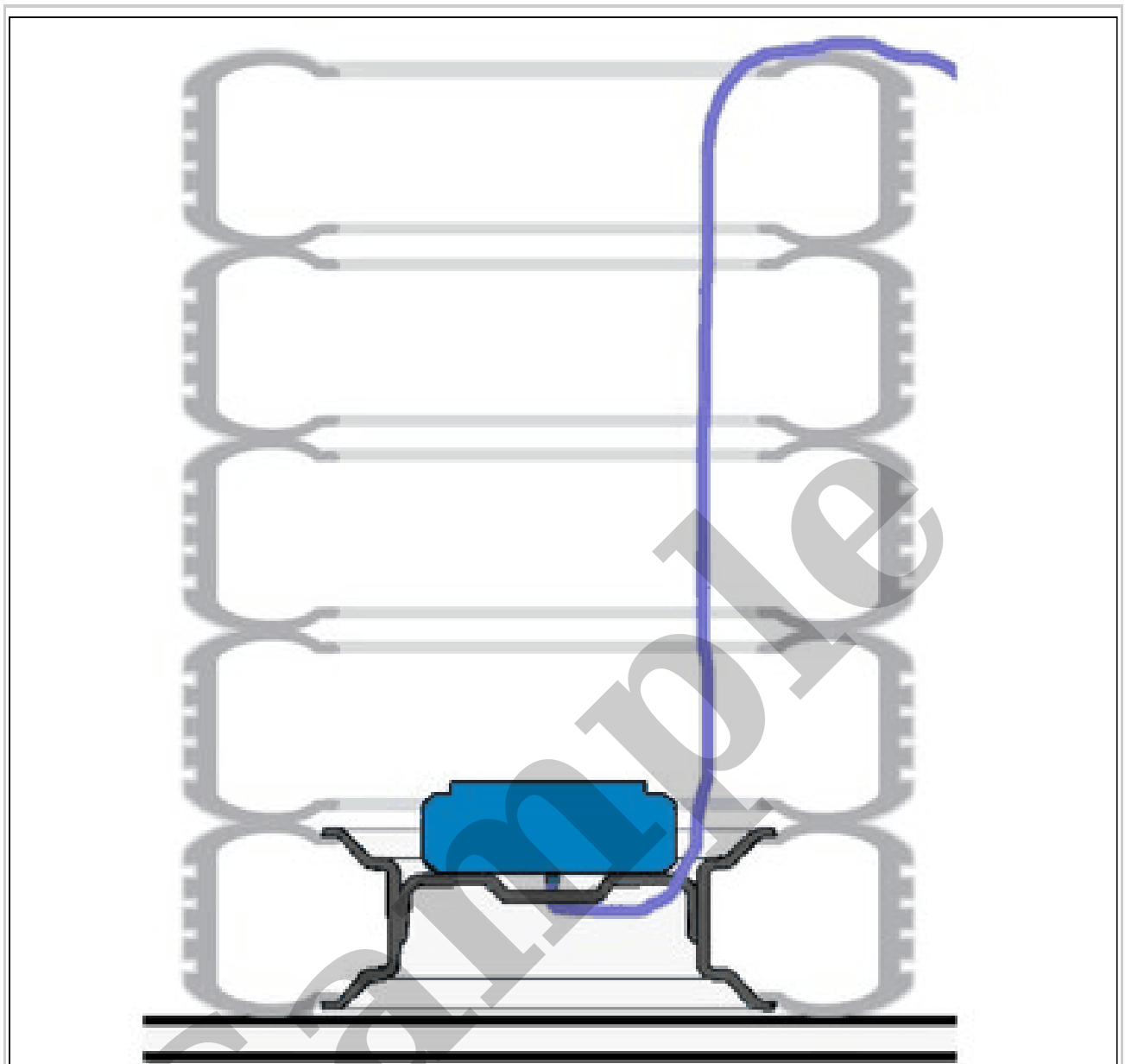
Tool description: Disarming kit

Tool boards: 30

DISCARDING

WARNING: *Make sure to follow local regulations that apply to the instruction/information below.*

See information regarding the disposal of pyrotechnical parts. Refer to: DISCARDING PYROTECHNIC COMPONENTS



Courtesy of VOLVO CARS CORPORATION

WARNING: *Never deploy a pyrotechnical component with the expanding part facing downward.*

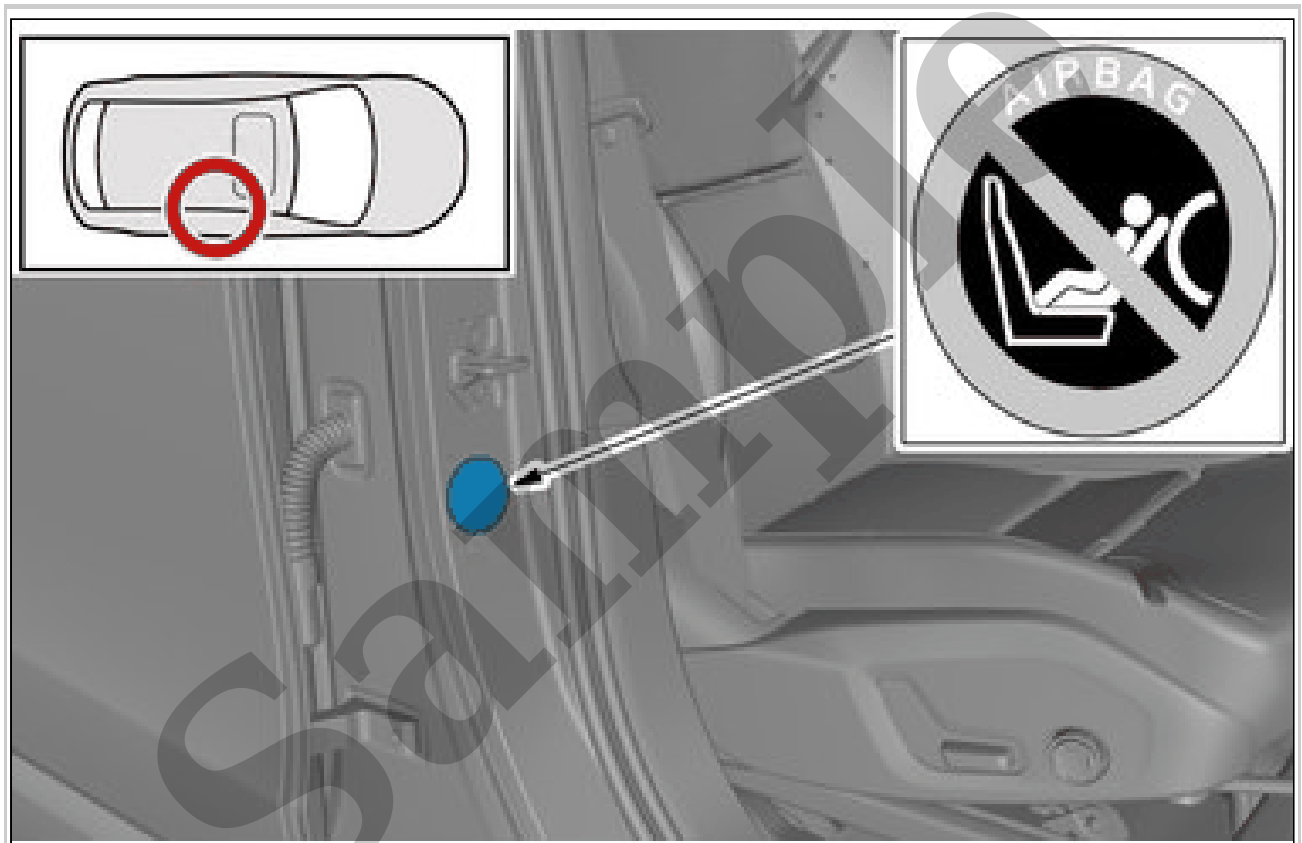
Place a tire, with wheel rim, on the ground.
Put four tires (same dimension and without rim) on top of the previously mentioned wheel.
Tie all tires together with the straps supplied.

POSITIONING SAFETY LABELS > POSITIONING SAFETY LABELS [2018-2022]

NOTE: For information on Volvo color coded illustrations, refer to: IMAGES .

POSITIONING SAFETY LABELS > POSITIONING SAFETY LABELS [2018-2022] > INFORMATION

LEFT HAND DRIVE VEHICLES



Courtesy of VOLVO CARS CORPORATION

WARNING: Do not install a rearward facing child safety seat to the passenger seat with an activated passenger air bag.

RIGHT-HAND DRIVE VEHICLES

The motor, seat height adjustment, is directly connected to the respective power seat module or the respective switch panel, power seat, depending on the equipment level.

MOTOR, SEAT POSITION ADJUSTMENT > MOTOR, SEAT POSITION ADJUSTMENT (6/19 - 6/20, 6/85, 6/87) [2018-2022] > DESCRIPTION

The motor, seat position adjustment, adjust the position of the seat. The motor can be equipped with a hall sensor which transmits the position.

MOTOR, SEAT POSITION ADJUSTMENT > MOTOR, SEAT POSITION ADJUSTMENT (6/19 - 6/20, 6/85, 6/87) [2018-2022] > VARIANTS

The motor, seat position adjustment, passenger side, is equipped with a hall sensor if the passenger door has a memory switch personal settings. The motor always has a hall sensor on the driver side and in rear seat in Excellence models.

MOTOR, SEAT POSITION ADJUSTMENT > MOTOR, SEAT POSITION ADJUSTMENT (6/19 - 6/20, 6/85, 6/87) [2018-2022] > DIAGNOSTIC INFORMATION

Front seat

The front seat motors, seat position adjustment, does not have a built-in diagnostic system. The respective power seat module monitors the motors and sets DTCs.

Rear seat (Excellence models only)

The rear seat motors, seat position adjustment, have no diagnostic information in VIDA.

MOTOR, SEAT POSITION ADJUSTMENT > MOTOR, SEAT POSITION ADJUSTMENT (6/19 - 6/20, 6/85, 6/87) [2018-2022] > CONNECTION AND COMMUNICATION

The motor, seat position adjustment, is directly connected to the respective power seat module.

OCCUPANT SENSOR > OCCUPANT SENSOR (7/255) [2018-2022] > DESCRIPTION

The front passenger seat is equipped with an occupant sensor that is used to provide the Supplemental Restraint System Module (SRS) with information if the front passenger seat is occupied.

The occupant sensor is a weight sensor and can determine if the seat is:

- Occupied by a child (small object).
- Occupied by an adult (large object).
- Empty.

OCCUPANT SENSOR > OCCUPANT SENSOR (7/255) [2018-2022] > DIAGNOSTIC INFORMATION

The occupant sensor does not have a built-in diagnostic system. Supplemental Restraint System Module (SRS) monitors the occupant sensor and sets DTCs.

Front seat

The front seat comfort pump does not have a built-in diagnostic system. The respective power seat module monitors the pump and sets DTCs. When it is a mechanical seat there is no DTC monitoring. On the power seats, the respective power seat module monitors the pump and sets DTCs.

Rear seat (Excellence models only)

The rear seat comfort pump has no diagnostic information in VIDA.

SEAT COMFORT PUMP > SEAT COMFORT PUMP (6/228 - 6/229, 6/243 - 6/244) [2018-2022] > CONNECTION AND COMMUNICATION

The seat comfort pump is directly connected to the respective power seat module and the respective seat comfort module or the respective switch and control panel, power seat, depending on the equipment level.

SEAT COMFORT VALVE > SEAT COMFORT VALVE (8/211 - 8/212) [2018-2022] > DESCRIPTION

The seat comfort valve is a valve that regulates the seat:

- Lumbar support.
- Side support.

SEAT COMFORT VALVE > SEAT COMFORT VALVE (8/211 - 8/212) [2018-2022] > DIAGNOSTIC INFORMATION

The seat comfort valve does not have a built-in diagnostic system. When it is a mechanical seat there is no DTC monitoring. On the power seats, the respective power seat module monitors the valve and sets DTCs.

SEAT COMFORT VALVE > SEAT COMFORT VALVE (8/211 - 8/212) [2018-2022] > CONNECTION AND COMMUNICATION

The seat comfort valve is directly connected to the respective power seat module or the respective switch and control panel, power seat, depending on the equipment level.

SEAT CUSHION FAN > SEAT CUSHION FAN (6/150, 6/152, 6/187, 6/189) [2018-2022] > DESCRIPTION

A seat cushion fan actuates the ventilation of the seat cushion by adjusting the fan speed.

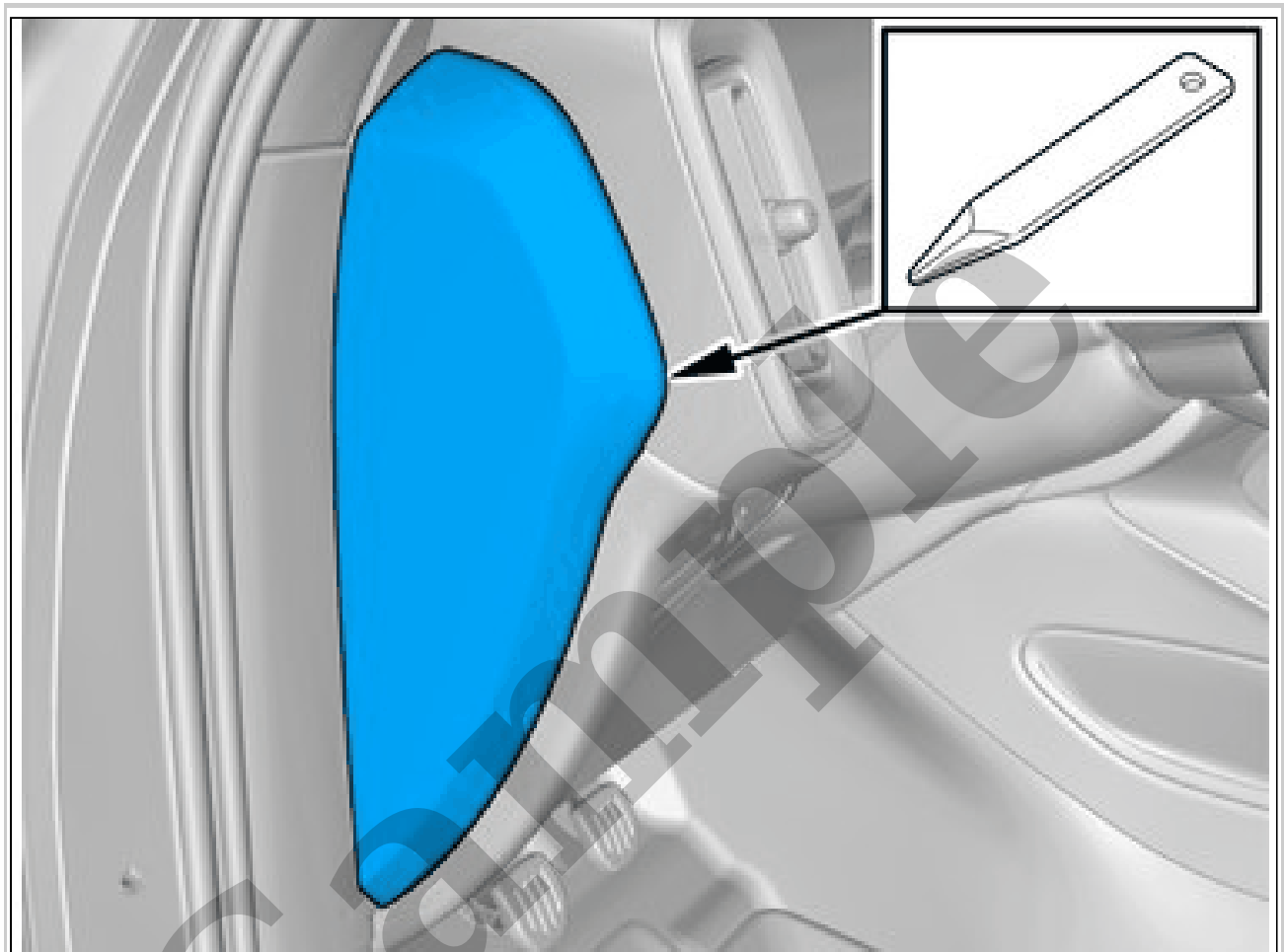
SEAT CUSHION FAN > SEAT CUSHION FAN (6/150, 6/152, 6/187, 6/189) [2018-2022] > DIAGNOSTIC INFORMATION

Front seats

The seat cushion fans in the front seats do not have a built-in diagnostic system. The applicable seat heating modules monitor the fans and sets DTCs and readable parameters.

A-PILLAR TRIM PANEL > A-PILLAR TRIM PANEL [2018-2022] > REMOVAL

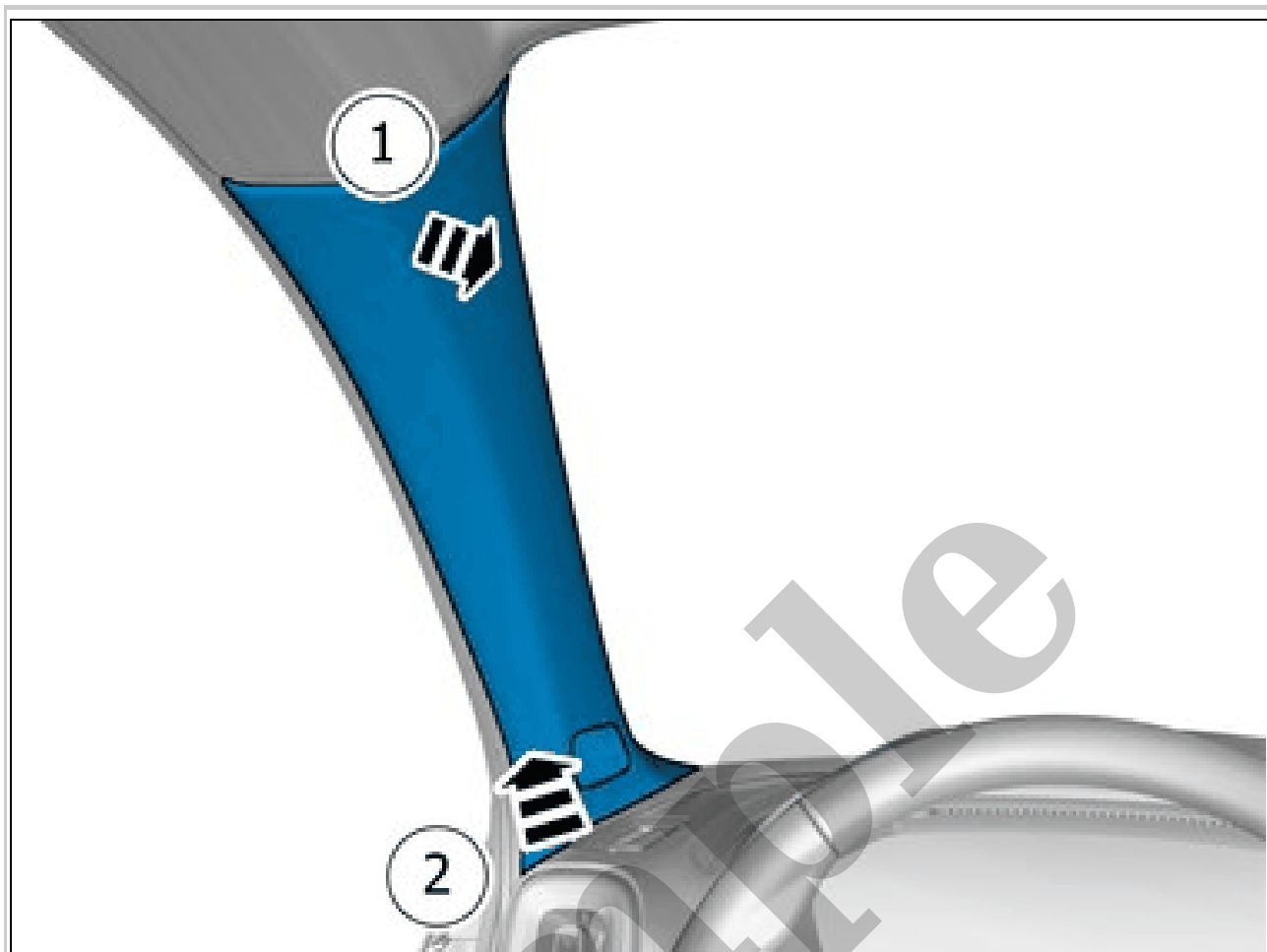
NOTE: Removal steps in this procedure may contain installation details.



Courtesy of VOLVO CARS CORPORATION

Remove the marked part.

Use: Interior trim remover



Courtesy of VOLVO CARS CORPORATION

Remove the marked part.

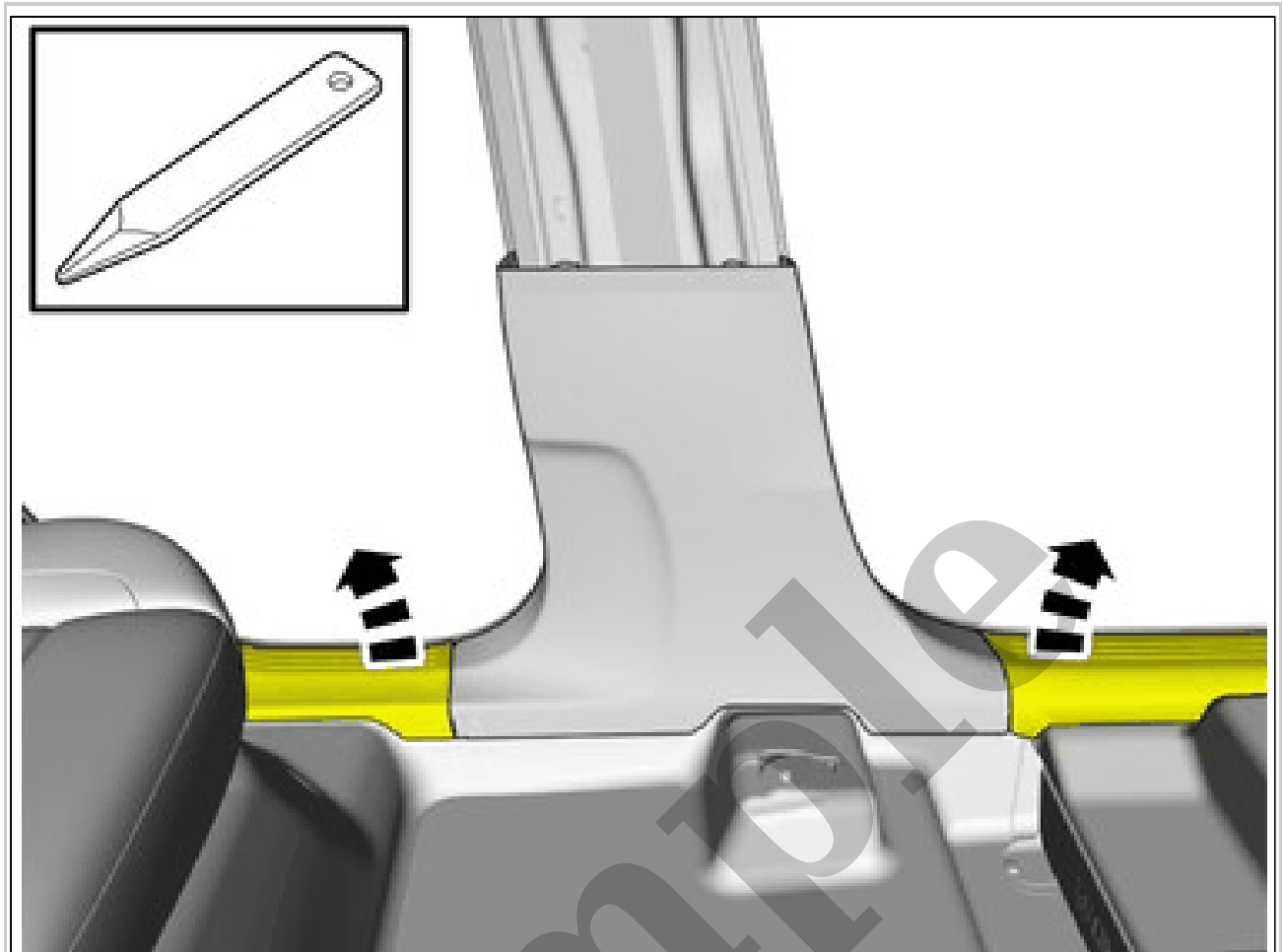
A-PILLAR TRIM PANEL > A-PILLAR TRIM PANEL [2018-2022] > INSTALLATION

To install, reverse the removal procedure.

B-PILLAR TRIM PANEL > B-PILLAR TRIM PANEL [2018-2022] > REMOVAL AND INSTALLATION

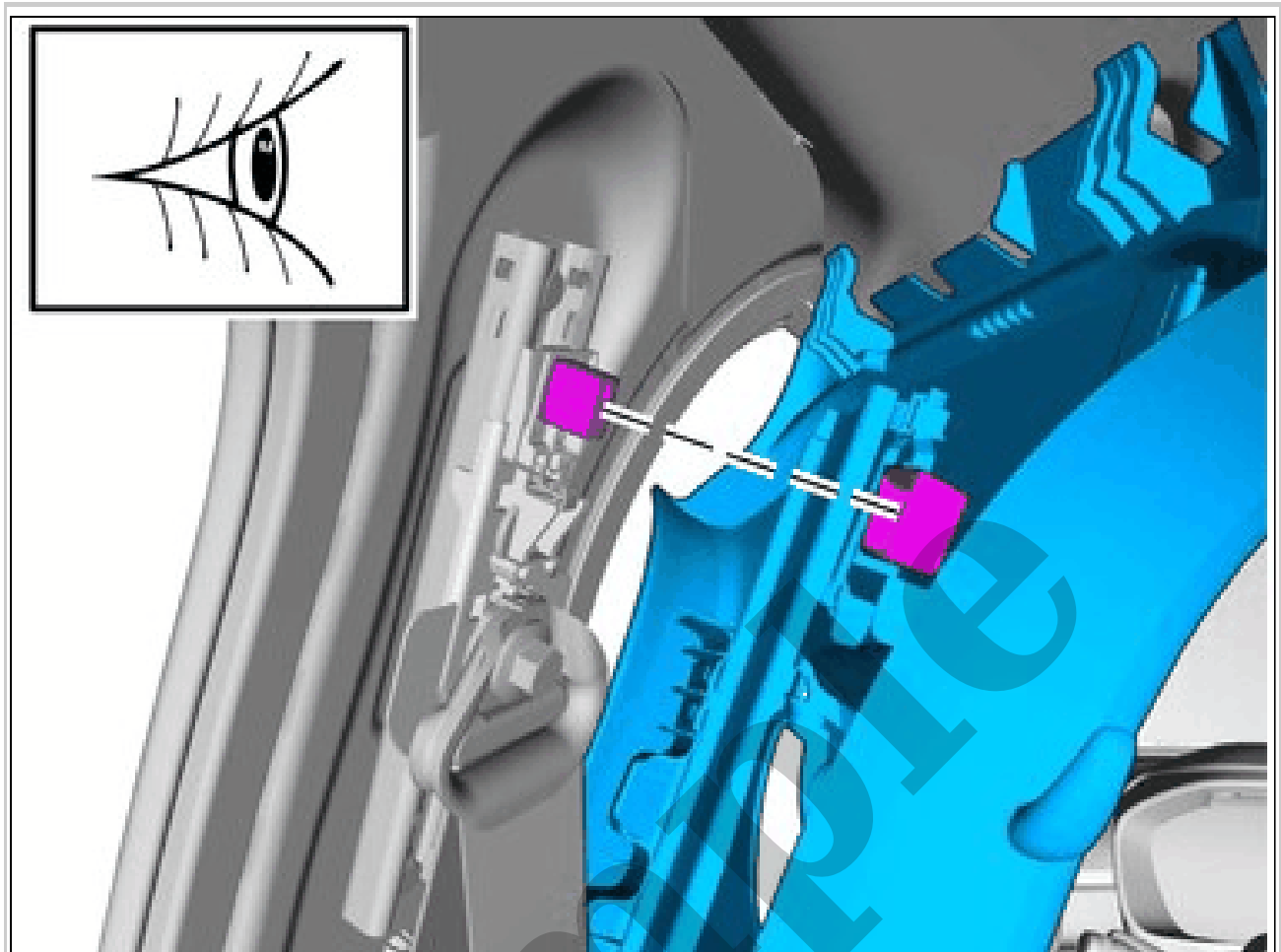
REMOVAL

NOTE: *Removal steps in this procedure may contain installation details.*



Courtesy of VOLVO CARS CORPORATION

Loosen the component indicated. Do not remove it.



Courtesy of VOLVO CARS CORPORATION

NOTE: *Note the position.*

To install, reverse the removal procedure.
CHECK