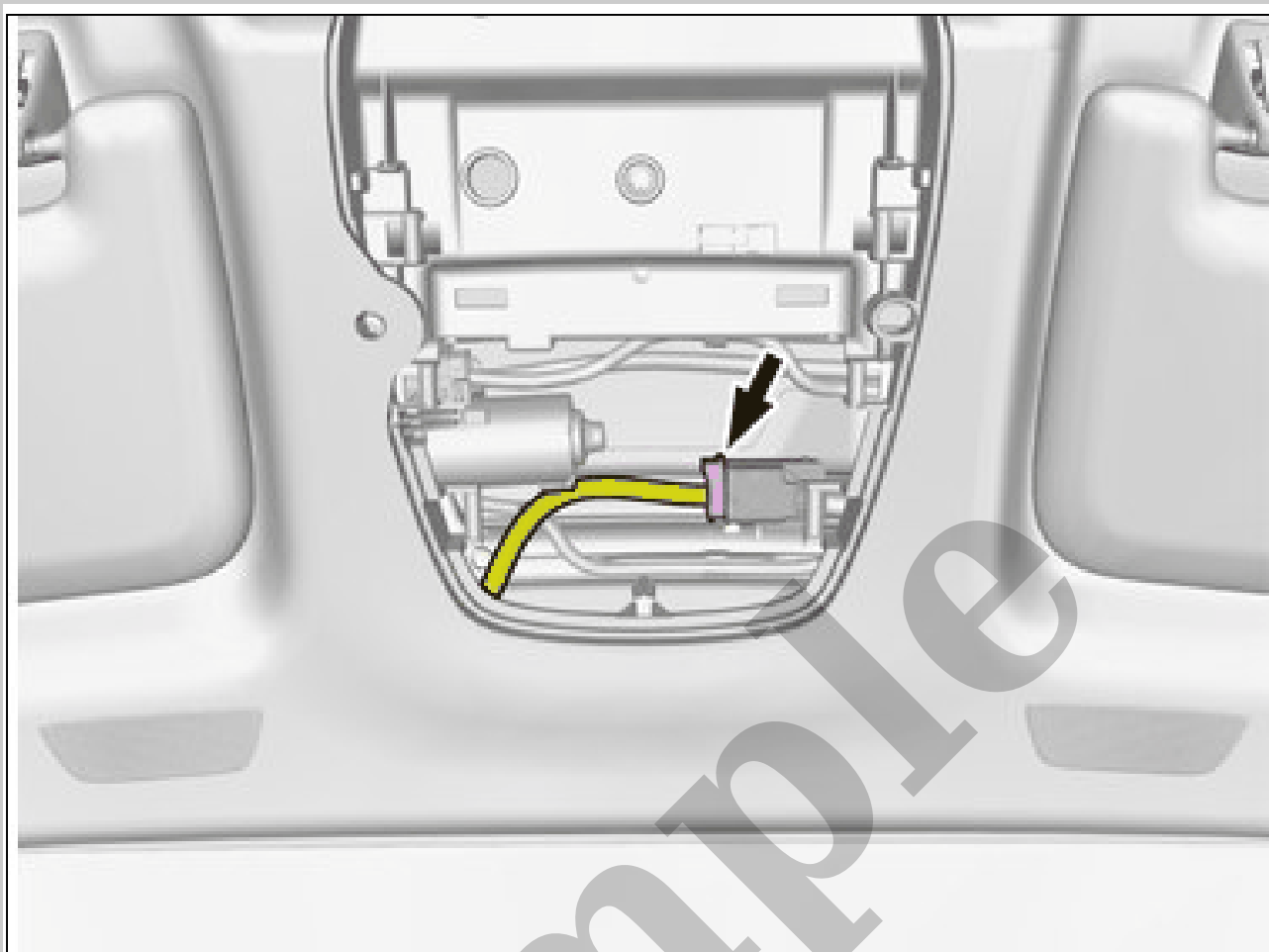


Your Ultimate Source for OEM Repair Manuals

FactoryManuals.net is a great resource for anyone who wants to save money on repairs by doing their own work. The manuals provide detailed instructions and diagrams that make it easy to understand how to fix a vehicle.

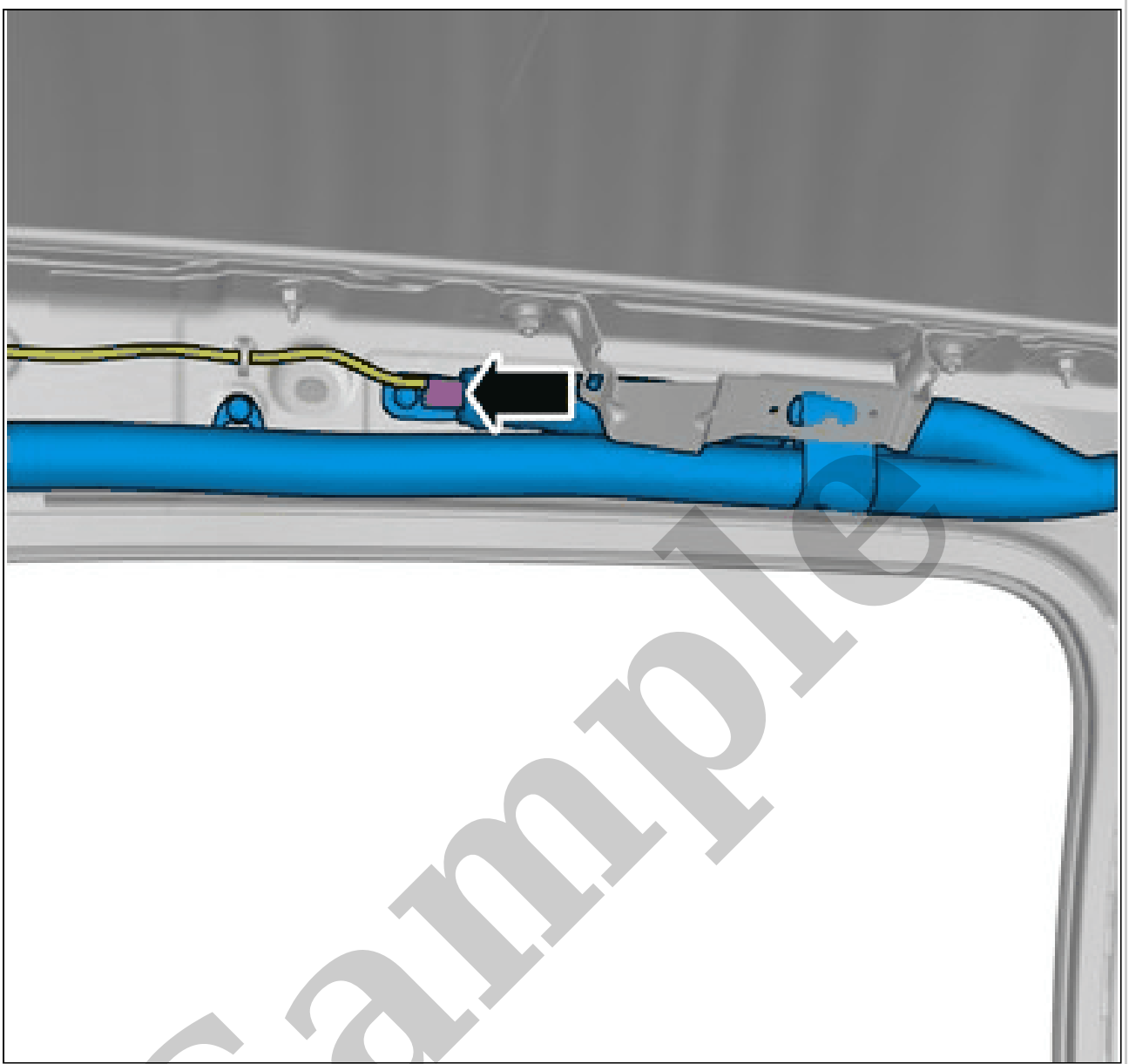
Volvo V60 2018 Manual - Service & Repair Guide

[Go to manual page](#)



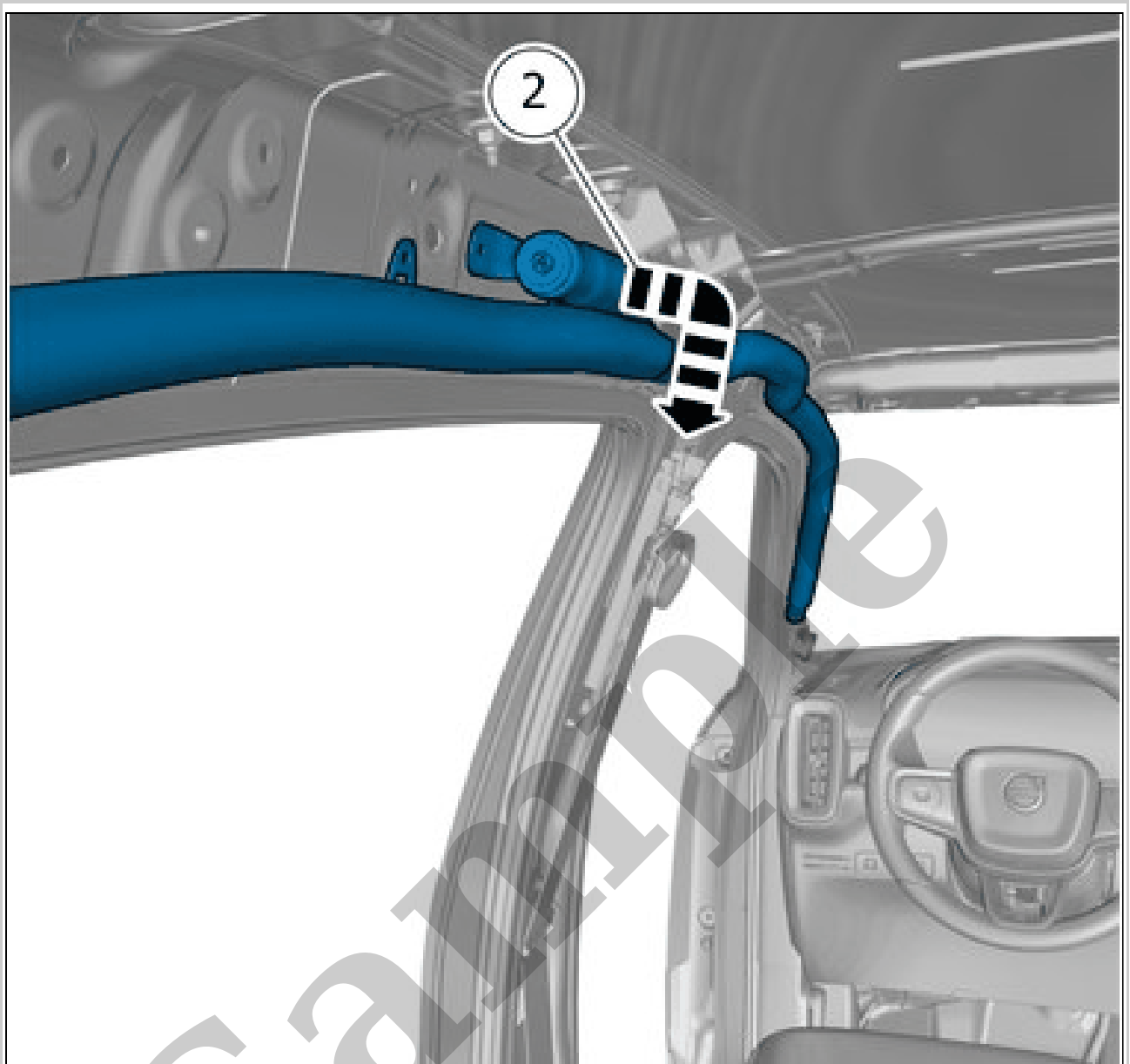
Courtesy of VOLVO CARS CORPORATION

Disconnect the connector.



Courtesy of VOLVO CARS CORPORATION

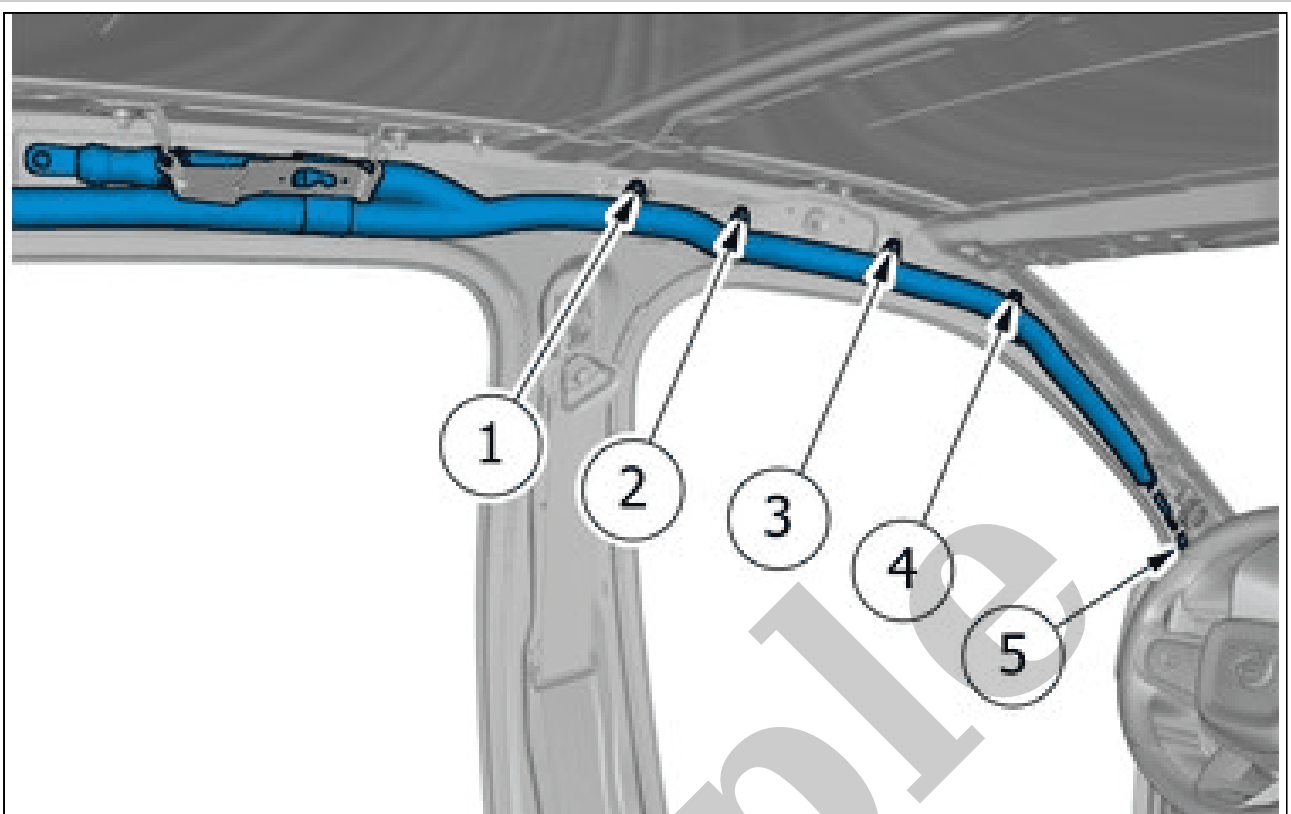
Disconnect the connector.



Courtesy of VOLVO CARS CORPORATION

Remove the marked part.

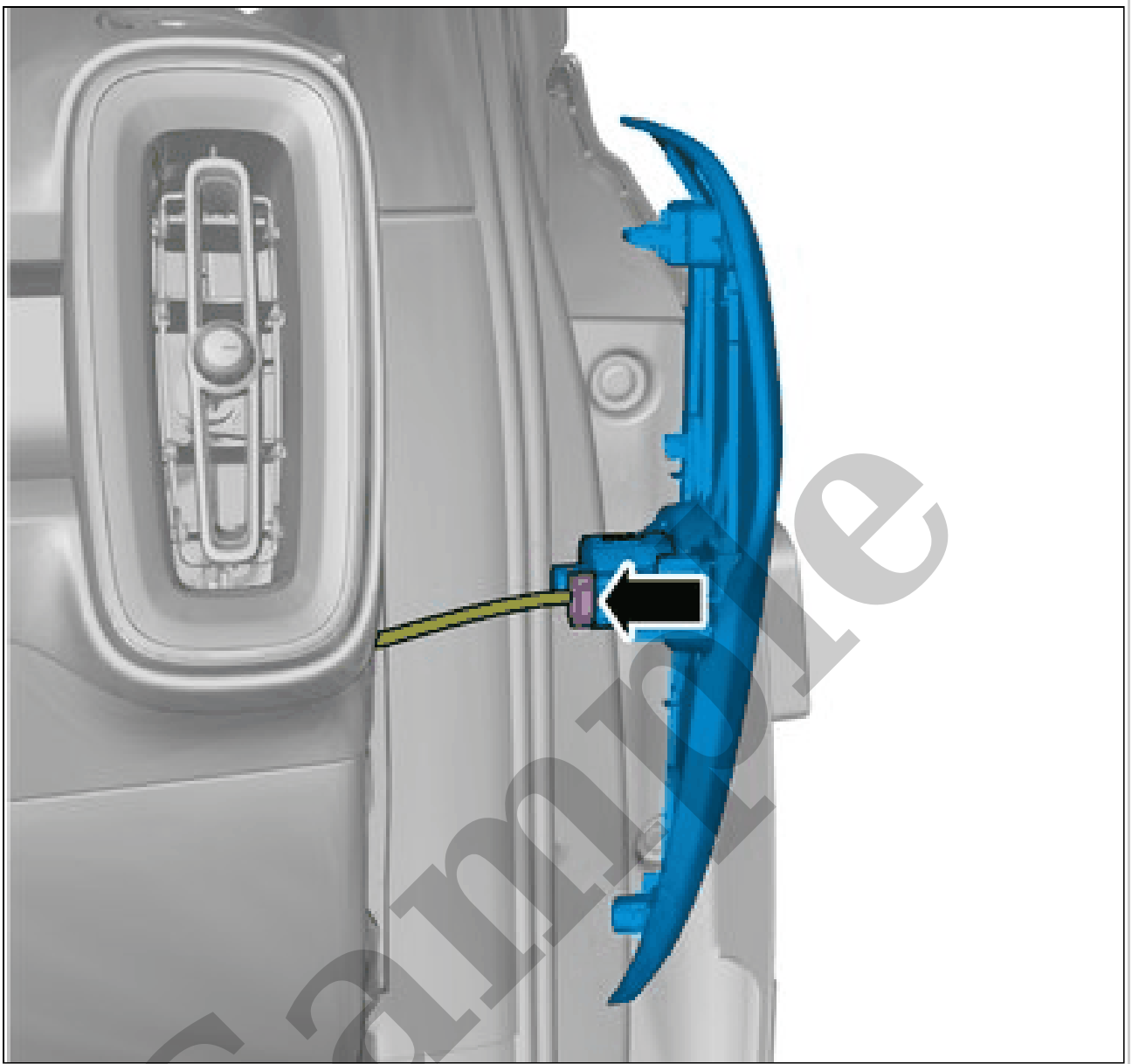
INFLATABLE CURTAIN > INFLATABLE CURTAIN [2018-2022] > INSTALLATION



Courtesy of VOLVO CARS CORPORATION

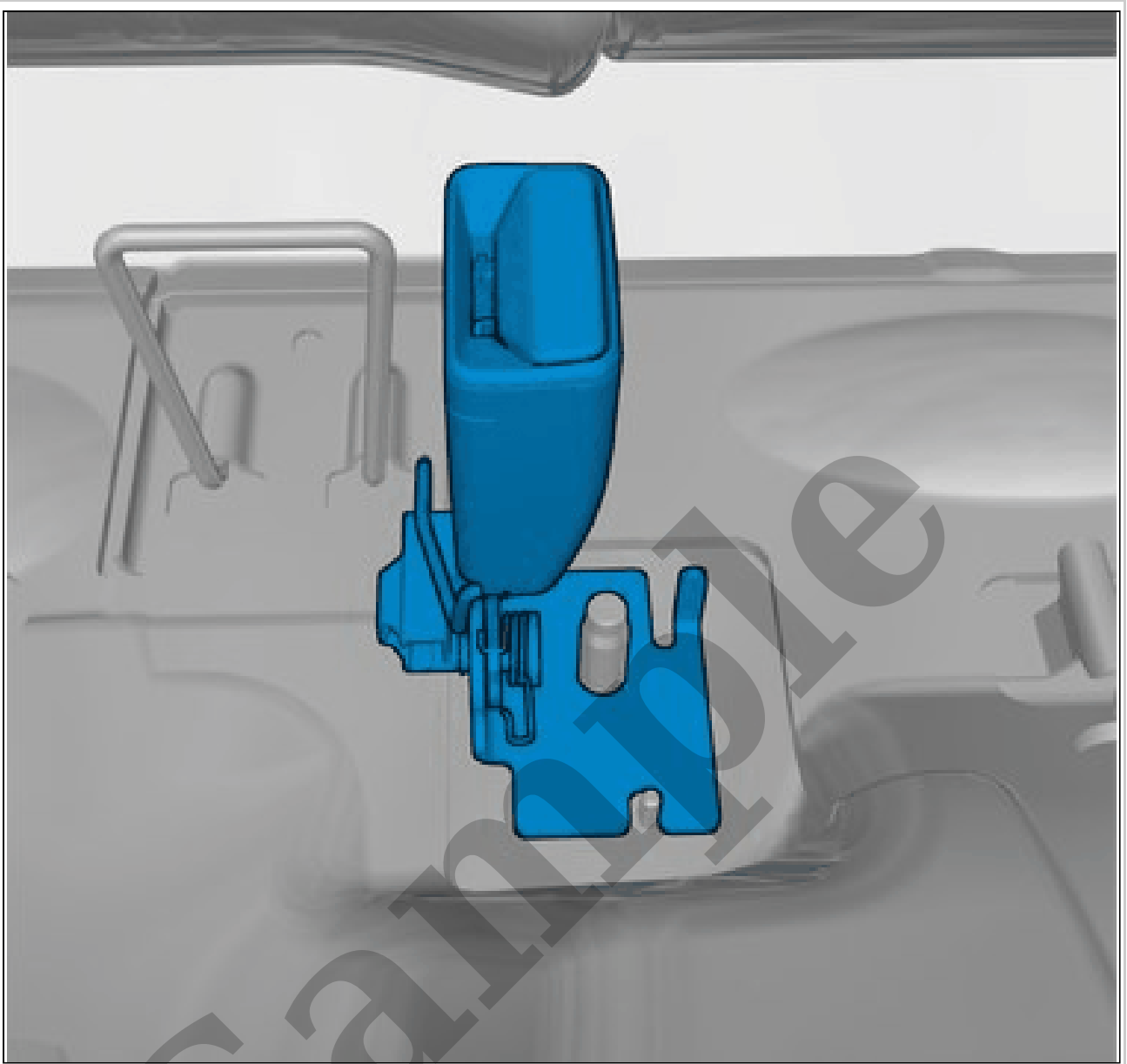
NOTE: Make sure to follow the sequence indicated.

Torque: Inflatable curtain to the body, 7Nm
Install the screws.



Courtesy of VOLVO CARS CORPORATION

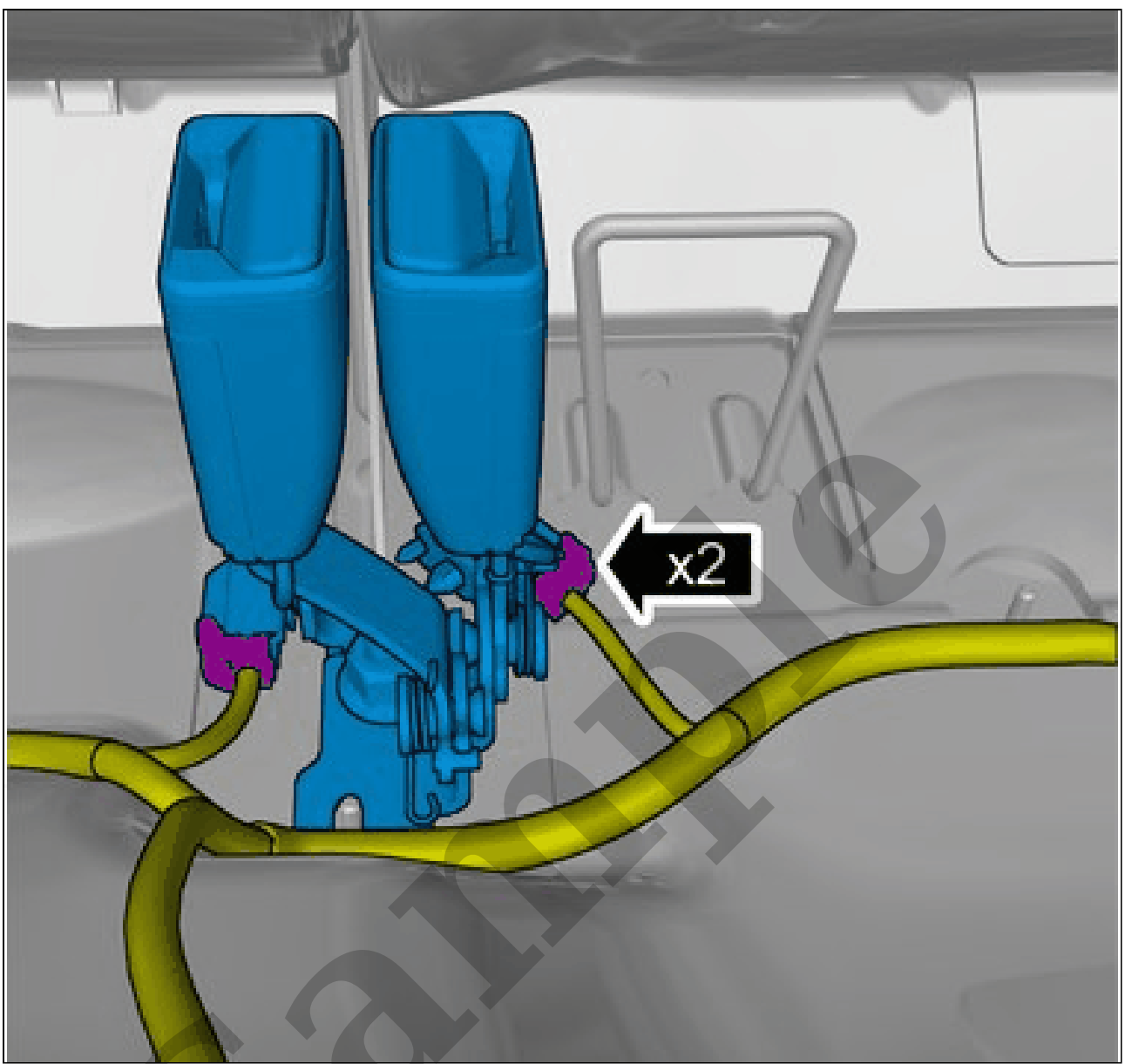
Disconnect the connector.
Remove the marked part.



Courtesy of VOLVO CARS CORPORATION

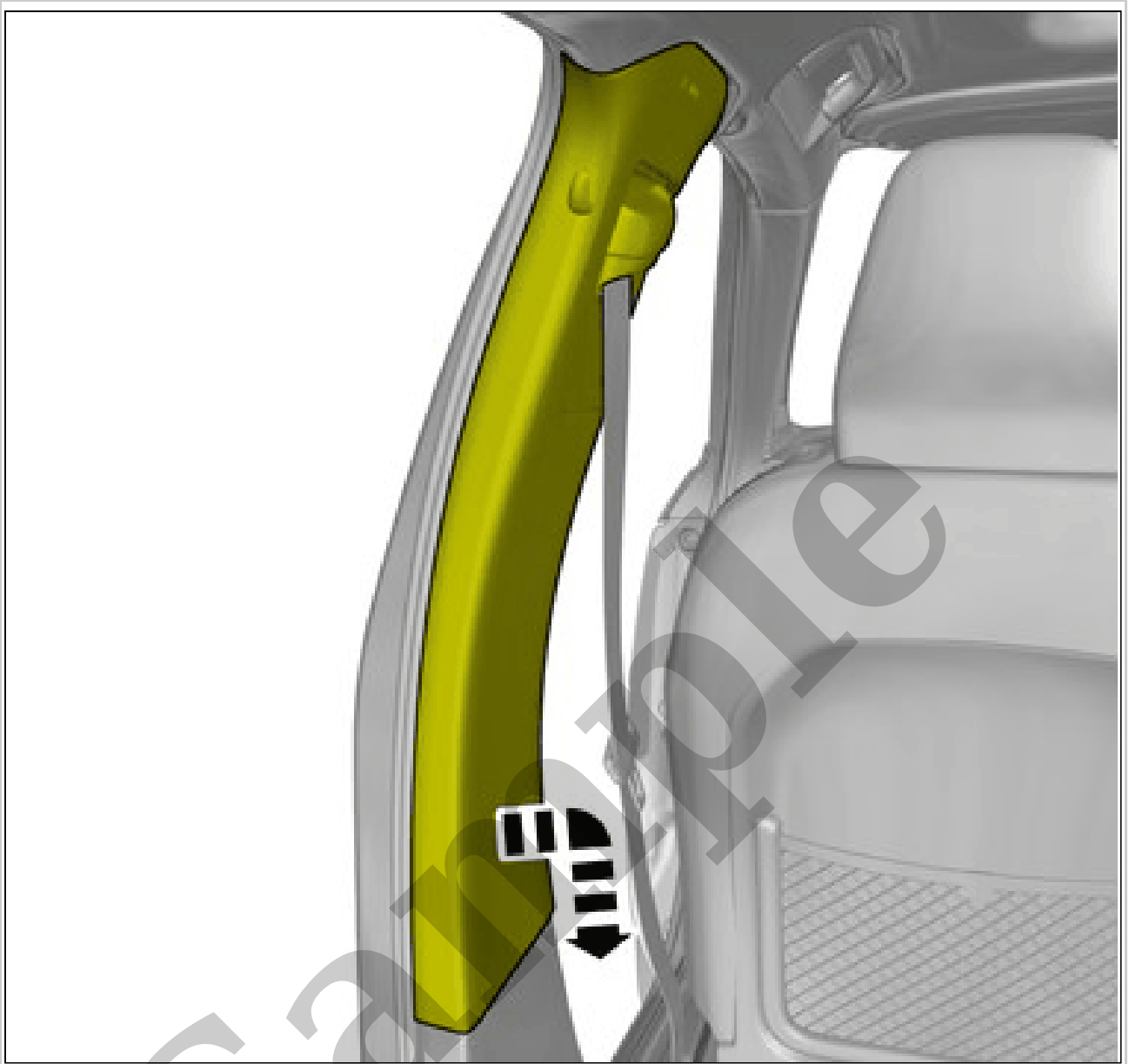
Remove the marked part.

APPLIES TO THE LEFT-HAND SIDE:



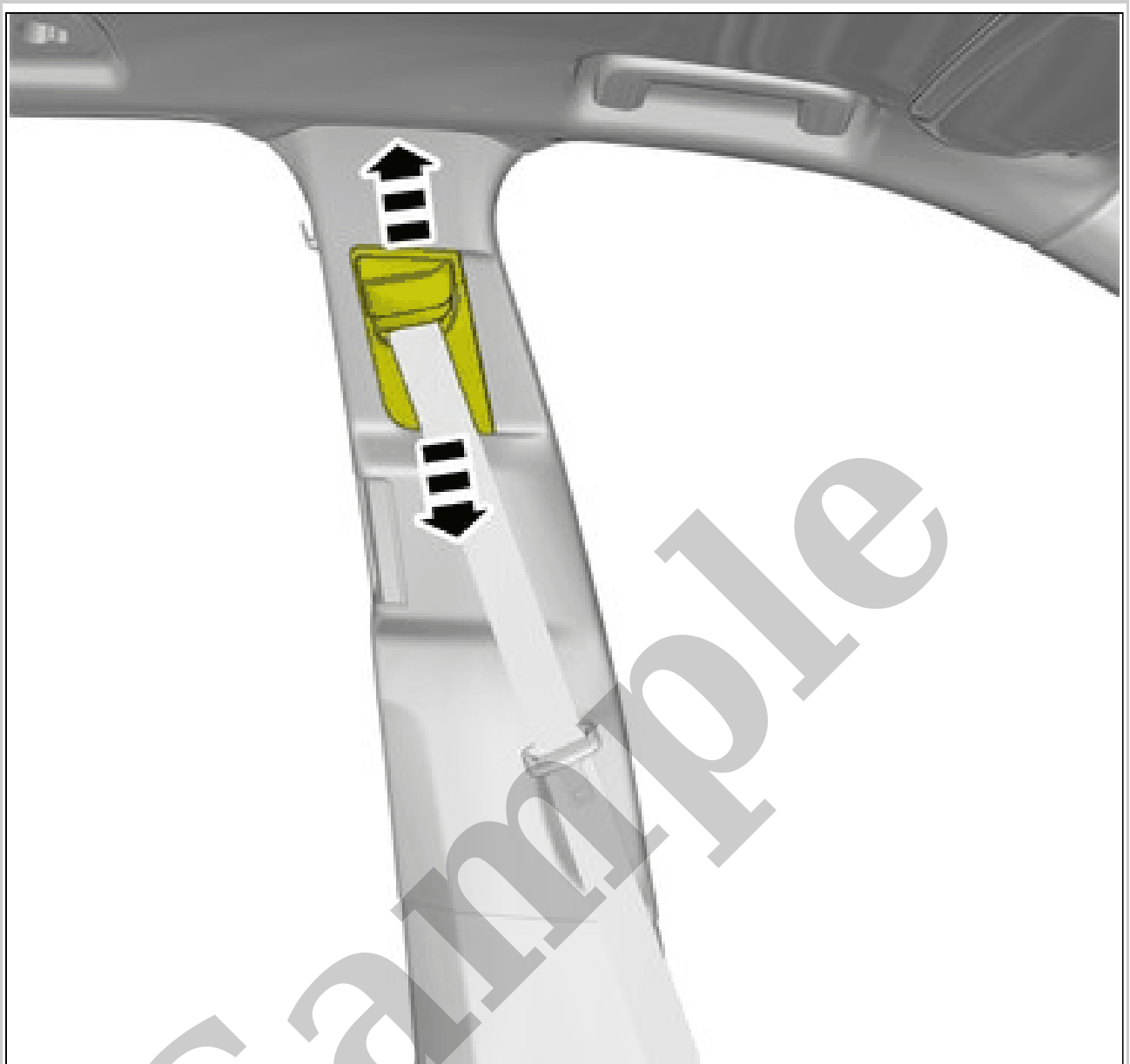
Courtesy of VOLVO CARS CORPORATION

Connect the connectors.



Courtesy of VOLVO CARS CORPORATION

Loosen the marked detail/details.



Courtesy of VOLVO CARS CORPORATION

Check for correct operation.
To install, reverse the removal procedure.

SEAT BELT RETRACTOR, REAR > SEAT BELT RETRACTOR, REAR [2018-2022] > REMOVAL AND INSTALLATION

REMOVAL

NOTE: *Removal steps in this procedure may contain installation details.*